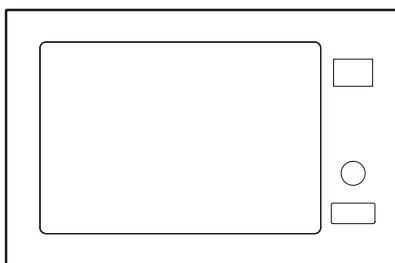




EN
INSTRUCTIONS FOR USE
OF A BUILT-IN
MICROWAVE OVEN

BIM320G52BGUK/745269



MICROWAVE OVEN

DEAR CUSTOMER

We sincerely thank you for your purchase. We believe you will soon find ample evidence that you can really rely on our products. To make the use of the appliance easier, we attach these comprehensive instruction manual.

The instructions should aid you in getting familiar with your new appliance. Please, read them carefully before using the appliance for the first time.

In any case, please make sure the appliance was supplied to you undamaged. Should you identify and transport damage, contact your sales representative or the regional warehouse from where the product was delivered. You will find the telephone number on the receipt or delivery report.



We wish you a lot of pleasure with your new household appliance.

The appliance for household use for heating food and beverages using electromagnetic energy, for indoor use only.

INSTRUCTIONS FOR USE

Carefully read the instructions and save them for future reference.

These instructions are intended for the user. They describe the cooker and how to use it. They also apply to different types of appliances, therefore you may find some descriptions of functions that may not apply to your appliance.

PRECAUTIONS TO AVOID POSSIBLE EXPOSURE TO EXCESSIVE MICROWAVE ENERGY

1. Do not attempt to operate this oven with the door open since this can result in harmful exposure to microwave energy. It is important not to break or tamper with the safety interlocks.
2. Do not place any object between the oven front face and the door or allow soil or cleaner residue to accumulate on sealing surfaces.
3. **WARNING:** If the door or door seals are damaged, the oven must not be operated until it has been repaired by a competent person.

ADDENDUM

If the apparatus is not maintained in a good state of cleanliness, its surface could be degraded and affect the lifespan of the apparatus and lead to a dangerous situation.

IMPORTANT SAFETY INSTRUCTIONS

WARNING

To reduce the risk of fire, electric shock, injury to persons or exposure to excessive microwave oven energy when using your appliance, follow basic precautions, including the following:

- Read and follow the specific: "PRECAUTIONS TO AVOID POSSIBLE EXPOSURE TO EXCESSIVE MICROWAVE ENERGY".
- This appliance can be used by children aged from 8 years and above and persons with reduced physical, sensory or mental capabilities or lack of experience and knowledge if they have been given supervision or instruction concerning use of the appliance in a safe way and understand the hazards involved. Children shall not play with the appliance. Cleaning and user maintenance shall not be made by children without supervision.
- Keep the appliance and its cord out of reach of children less than 8 years.
- If the supply cord is damaged, it must be replaced by the manufacturer, its service agent or similarly qualified persons in order to avoid a hazard.
- **WARNING:** Ensure that the appliance is switched off before replacing the lamp to avoid the possibility of electric shock.
- **WARNING:** It is hazardous for anyone other than a competent person to carry out any service or repair operation that involves the removal of a cover which gives protection against exposure to microwave energy.

- **WARNING:** Liquids and other foods must not be heated in sealed containers since they are liable to explode.
- When heating food in plastic or paper containers, keep an eye on the oven due to the possibility of ignition.
- Only use utensils that are suitable for use in microwave ovens.
- If smoke is emitted, switch off or unplug the appliance and keep the door closed in order to stifle any flames.
- Microwave heating of beverages can result in delayed eruptive boiling, therefore care must be taken when handling the container.
- The contents of feeding bottles and baby food jars shall be stirred or shaken and the temperature checked before consumption, in order to avoid burns.
- Eggs in their shell and whole hard-boiled eggs should not be heated in microwave ovens since they may explode, even after microwave heating has ended.
- The oven should be cleaned regularly and any food deposits removed.
- Failure to maintain the oven in a clean condition could lead to deterioration of the surface that could adversely affect the life of the appliance and possibly result in a hazardous situation.
- Only use the temperature probe recommended for this oven. (For ovens provided with a facility to use a temperature-sensing probe.)

- The microwave oven must be operated with the decorative door open. (For ovens with a decorative door.)
- This appliance is intended to be used in household and similar applications such as:
 - staff kitchen areas in shops, offices and other working environments;
 - by clients in hotels, motels and other residential type environments;
 - farm houses;
 - bed and breakfast type environments.
- The microwave oven is intended for heating food and beverages. Drying of food or clothing and heating of warming pads, slippers, sponges, damp cloth and similar may lead to risk of injury, ignition or fire.
- Metallic containers for food and beverages are not allowed during microwave cooking.
- The appliance shall not be cleaned with a steam cleaner.
- The appliance must not be installed behind a decorative door in order to avoid overheating. (This is not applicable for appliances with decorative door.)
- The microwave oven is intended to be used built-in.
- Care should be taken not to displace the turntable when removing containers from the appliance. (For fixed appliances and built-in appliances being used equal or higher than 900mm above the floor and having detachable turntables. But this is not applicable for appliances with horizontal bottom hinged door.)

- Steam cleaner is not to be used.
- Surface of a storage drawer can get hot.
- Do not use harsh abrasive cleaners or sharp metal scrapers to clean the oven door glass since they can scratch the surface, which may result in shattering of the glass.
- **WARNING:** The appliance and its accessible parts become hot during use. Care should be taken to avoid touching heating elements. Children less than 8 years of age shall be kept away unless continuously supervised.
- During use the appliance becomes hot. Care should be taken to avoid touching heating elements inside the oven.
- **WARNING:** Accessible parts may become hot during use. Young children should be kept away.
- **WARNING:** When the appliance is operated in the combination mode, children should only use the oven under adult supervision due to the temperatures generated.

**READ CAREFULLY AND KEEP FOR FUTURE
REFERENCE
HOUSEHOLD USE ONLY
(NOT FOR COMMERCIAL USE)**

TO REDUCE THE RISK OF INJURY TO PERSONS GROUNDING INSTALLATION

DANGER

Electric Shock Hazard

Touching some of the internal components can cause serious personal injury or death. Do not disassemble this appliance.

WARNING

Electric Shock Hazard

Improper use of the grounding can result in electric shock.

Do not plug into an outlet until appliance is properly installed and grounded.

This appliance must be grounded. In the event of an electrical short circuit, grounding reduces the risk of electric shock by providing an escape wire for the electric current.

This appliance is equipped with a cord having a grounding wire with a grounding plug. The plug must be plugged into an outlet that is properly installed and grounded.

Consult a qualified electrician or serviceman if the grounding instructions are not completely understood or if doubt exists as to whether the appliance is properly grounded.

If it is necessary to use an extension cord, use only a 3-wire extension cord.

1. A short power-supply cord is provided to reduce the risks resulting from becoming entangled in or tripping over a longer cord.
2. If a long cord set or extension cord is used:

- 1) The marked electrical rating of the cord set or extension cord should be at least as great as the electrical rating of the appliance.
- 2) The extension cord must be a grounding-type 3-wire cord.
- 3) The long cord should be arranged so that it will not drape over the counter top or tabletop where it can be pulled on by children or tripped over unintentionally.

CLEANING

Be sure to unplug the appliance from the power supply.

1. Clean the cavity of the oven after using with a slightly damp cloth.
2. Clean the accessories in the usual way in soapy water.
3. The door frame and seal and neighbouring parts must be cleaned carefully with a damp cloth when they are dirty.
4. Do not use harsh abrasive cleaners or sharp metal scrapers to clean the oven door glass since they can scratch the surface, which may result in shattering of the glass.
5. Cleaning Tip---For easier cleaning of the cavity walls that the food cooked can touch: Place half a lemon in a bowl, add 300ml (1/2 pint) water and heat on 100% microwave power for 10 minutes. Wipe the oven clean using a soft, dry cloth.

UTENSILS

CAUTION

Personal Injury Hazard

It is hazardous for anyone other than a competent person to carry out any service or repair operation that involves the removal of a cover which gives protection against exposure to microwave energy. See the instructions on "Materials you can use in microwave oven or to be avoided in microwave oven." There may be certain non-metallic utensils that are not safe to use for microwaving. If in doubt, you can test the utensil in question following the procedure below.

Utensil Test:

1. Fill a microwave-safe container with 1 cup of cold water (250ml) along with the utensil in question.
2. Cook on maximum power for 1 minute.
3. Carefully feel the utensil. If the empty utensil is warm, do not use it for microwave cooking.
4. Do not exceed 1 minute cooking time.

Materials you can use in microwave oven

Utensils	Remarks
Browning dish	Follow manufacturer's instructions. The bottom of browning dish must be at least 3/16 inch (5mm) above the turntable. Incorrect usage may cause the turntable to break.
Dinnerware	Microwave-safe only. Follow manufacturer's instructions. Do not use cracked or chipped dishes.
Glass jars	Always remove lid. Use only to heat food until just warm. Most glass jars are not heat resistant and may break.
Glassware	Heat-resistant oven glassware only. Make sure there is no metallic trim. Do not use cracked or chipped dishes.
Oven cooking bags	Follow manufacturer's instructions. Do not close with metal tie. Make slits to allow steam to escape.
Paper plates and cups	Use for short-term cooking/warming only. Do not leave oven unattended while cooking.
Paper towels	Use to cover food for reheating and absorbing fat. Use with supervision for a short-term cooking only.
Parchment paper	Use as a cover to prevent splattering or a wrap for steaming.
Plastic	Microwave-safe only. Follow the manufacturer's instructions. Should be labeled "Microwave Safe". Some plastic containers soften, as the food inside gets hot. "Boiling bags" and tightly closed plastic bags should be slit, pierced or vented as directed by package.
Plastic wrap	Microwave-safe only. Use to cover food during cooking to retain moisture. Do not allow plastic wrap to touch food.
Thermometers	Microwave-safe only (meat and candy thermometers).
Wax paper	Use as a cover to prevent splattering and retain moisture.

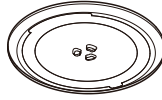
Materials to be avoided in microwave oven

Utensils	Remarks
Aluminum tray	May cause arcing. Transfer food into microwave-safe dish.
Food carton with metal handle	May cause arcing. Transfer food into microwave-safe dish.
Metal or metal-trimmed utensils	Metal shields the food from microwave energy. Metal trim may cause arcing.
Metal twist ties	May cause arcing and could cause a fire in the oven.
Paper bags	May cause a fire in the oven.
Plastic foam	Plastic foam may melt or contaminate the liquid inside when exposed to high temperature.
Wood	Wood will dry out when used in the microwave oven and may split or crack.

NAMES OF OVEN PARTS AND ACCESSORIES

Remove the oven and all materials from the carton and oven cavity.

Your oven comes with the following accessories:



Glass Tray



Turntable Ring Assembly



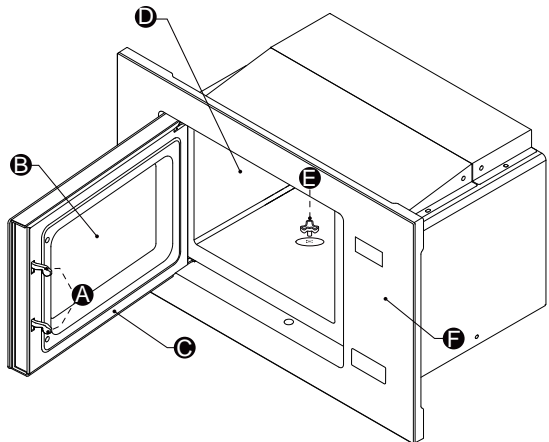
Instruction Manual



Turntable Shaft



Grill Rack (Can not be used in microwave function and must be placed on the glass tray.)



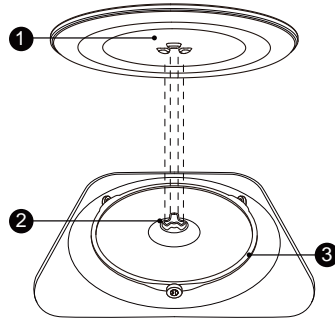
- A) Safety interlock system
- B) Door assembly
- C) Observation window

- D) Oven cavity
- E) Turntable shaft
- F) Control panel

TURNTABLE INSTALLATION

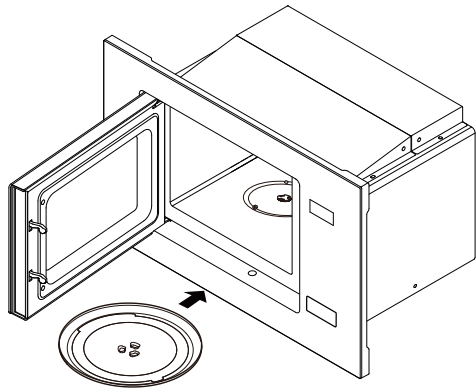
Cleaning the cooking compartment and putting the turntable in place.

For new installations, make sure all packaging and shipping tape has been removed from the turntable shaft. Before using the appliance to prepare food for the first time, you will need to put the turntable in place correctly. You must clean the cooking compartment and accessories.



How to put the turntable in place:

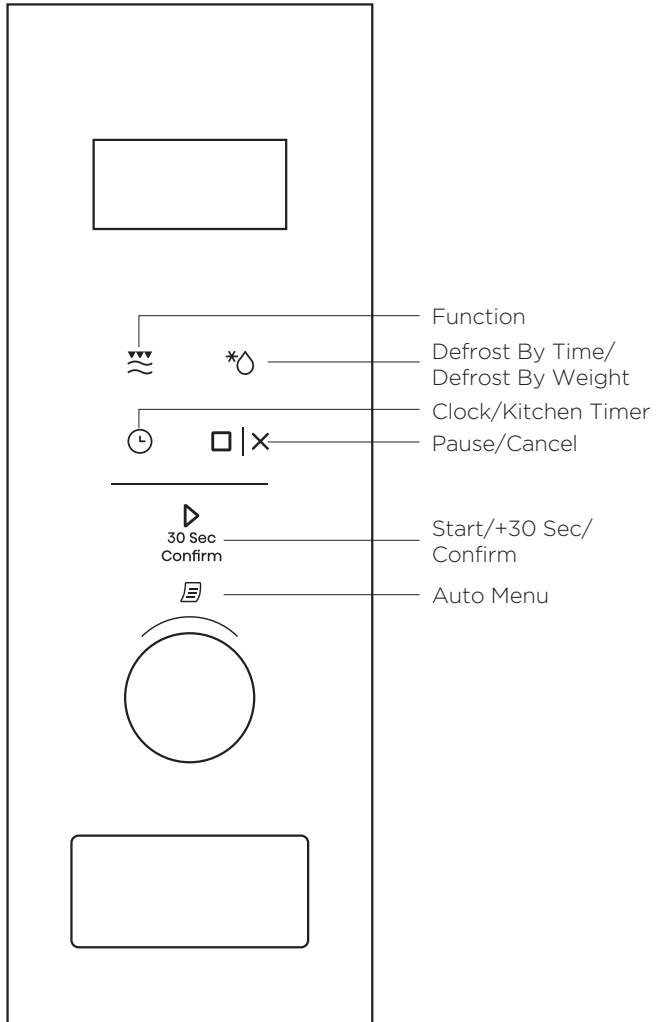
1. Place the turntable ring assembly ③ into the recess in the cooking compartment.
2. Place the glass tray ① on the turntable ring assembly ③. Fit the raised, curved lines in the center of the glass tray bottom between the three spokes of the shaft. Make sure that the glass tray ① engages in the turntable shaft ② in the centre of the cooking compartment floor. The rollers on the shaft should fit inside the turntable bottom ridge.



Notes:




1. Never use the appliance without the turntable. Make sure that it is properly engaged. The turntable can turn clockwise or anti-clockwise.
2. Never place the glass tray upside down. The glass tray should never be restricted.
3. Both glass tray and turntable ring assembly must always be used during cooking.
4. All food and containers of food are always placed on the glass tray for cooking.
5. Never restrict the movement of the turntable.
6. If glass tray or turntable ring assembly cracks or breaks, contact your nearest authorized service center.

OPERATION



Operation Instructions



1. Setting the Clock

- 1) Touch “” once and then “00:00” will display.
- 2) Turn the knob to set the hour figures.
- 3) Touch “” to confirm.
- 4) Turn the knob to set the minute figures.
- 5) Touch “” to confirm setting.

Notes:

- 1) The clock is a 24-hour display.
- 2) To reset the clock, repeat steps above.

2. Setting the Kitchen Timer

- 1) Touch “” twice, and then “00:00” will display.
- 2) Turn the knob to set the desired time. The maximum time value is “95:00”.
- 3) Touch “” to confirm. The timer starts counting down.





Note:

The kitchen timer is a timer.





3. Microwave Cooking

The 5 Power levels.

Power Level	100%	80%	50%	30%	10%
Display	P100	P80	P50	P30	P10

- 1) In standby mode, touch “” once, and then “P100” will display.
- 2) Touch “” repeatedly or turn the knob to set the power. The 5 power levels are available.
- 3) Touch “” to confirm.
- 4) Turn the knob to set the cooking time. The maximum time value is “95:00”.
- 5) Touch “” to start cooking.

4. Grill & Combi. Cooking

- 1) In standby mode, touch “” once, and then “P100” will display.
- 2) Touch “” repeatedly or turn the knob to choose the cooking mode, and then “G”, “C-1”, or “C-2” will display.
- 3) Touch “” to confirm.
- 4) Turn the knob to set the cooking time. The maximum time value is “95:00”.
- 5) Touch “” to start cooking.

Note:


The buzzer will sound to remind you to turn the food over during cooking.

If no operation, the oven will continue working.

**Grill and combination
cooking instruction**

Program	Display	Microwave Power	Grill Power
Grill	G	0%	100%
Combi.1	C-1	55%	45%
Combi.2	C-2	36%	64%

5. Defrost by Weight


- 1) Touch “*0” once, “dEF1” will display.
- 2) Turn the knob to set the weight of the food. The range of weight is 100 to 2000g.
- 3) Touch “” to start defrosting.

Note:

The buzzer will sound to remind you to turn the food over during defrosting.

If no operation, the oven will continue working.

6. Defrost by Time

- 1) Touch “*0” twice, “dEF2” will display.
- 2) Turn the knob to set the defrosting time. The maximum time value is “95:00”.
- 3) Touch “” to start defrosting.



Note:



The defrost power is P30 and it cannot be changed.

7. Multi-Stage Cooking
Notes:



- 1) Two cooking stages can be set in multi-stage cooking.
- 2) If you set the defrost function, it will work automatically in the first stage.
- 3) The auto menu cannot be set as one of the multi-stage.

Example: Defrost food for 5 minutes and then cook with P80 microwave power for 7 minutes.



- 1) Touch “*0” twice and then the screen will display “dEF2”.
- 2) Turn the knob to set the desired defrosting time to 5 minutes.
- 3) Touch “” once, and then “P100” will display.
- 4) Touch “” repeatedly or turn the knob to set the power level to P80.

- 5) Touch “” to confirm.
- 6) Turn the knob to set the cooking time to 7 minutes.
- 7) Touch “” to start cooking.


8. Inquiring Function

- 1) If the clock has been set, the current time will display for three seconds by touching “” in the cooking state.
- 2) In the microwave, grilling, and combination cooking state, touch “” to inquire about the power level or cooking mode. It will display for three seconds.

9. Speedy Cooking

- 1) In standby mode, touch “” to cook food at 100% power level for 30 seconds.
Each touch on the same key can increase 30 seconds.
The maximum time value is “95:00”.
- 2) In standby mode, turn the knob left to set a cooking time at 100% power. Continue to turn the knob to adjust the cooking time. Then touch “” to start cooking.
The maximum time value is “95:00”.


Note:

In the microwave, grilling, combination, and defrosting by time cooking state, each more touch on “” can increase the cooking time by 30 seconds (except the defrosting by weight and auto menu).

10. Lock Function for Children

You can use this function to disable the screen buttons and prevent your child from accidentally turning the oven on.


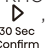
To activate the lock:

In standby mode, touch and hold “ | X” for three seconds. A beep sounds and the locked icon will display.

To deactivate the lock:

In locked state, touch and hold “ | X” for three seconds. A beep sounds.

11. Auto Menu


- 1) In standby mode, turn the knob right once, the screen will display “A-1”.
- 2) Continue to turn the knob to set the menu you need.
The 9 auto menus are available.
- 3) Touch “” to confirm.
- 4) Turn the knob to set the weight of the food.
- 5) Touch “” to start cooking.

Auto Menu Chart

Menu	Weight	Display	Power
A-1 Pizza	200g	200g	P100
	400g	400g	
A-2 Meat	250g	250g	P100
	350g	350g	
	450g	450g	
A-3 Vegetable	200g	200g	P100
	300g	300g	
	400g	400g	
A-4 Pasta	50g (with 450g cold water)	50g	P80
	100g (with 800g cold water)	100g	
A-5 Potato	200g	200g	P100
	400g	400g	
	600g	600g	
A-6 Fish	250g	250g	P80
	350g	350g	
	450g	450g	
A-7 Beverage	1 cup (120ml)	1	P100
	2 cups (240ml)	2	
	3 cups (360ml)	3	
A-8 Popcorn	50g	50g	P100
	100g	100g	

12. Mute Mode

To activate the mute mode:

In standby mode, touch and hold “” for 3 seconds, and then “oFF” will display.

When you press the key, it does not make a sound. To deactivate the mute mode:

In mute mode, touch and hold “” for 3 seconds, and then “on” will display.

Installation Instructions

Installation and connection

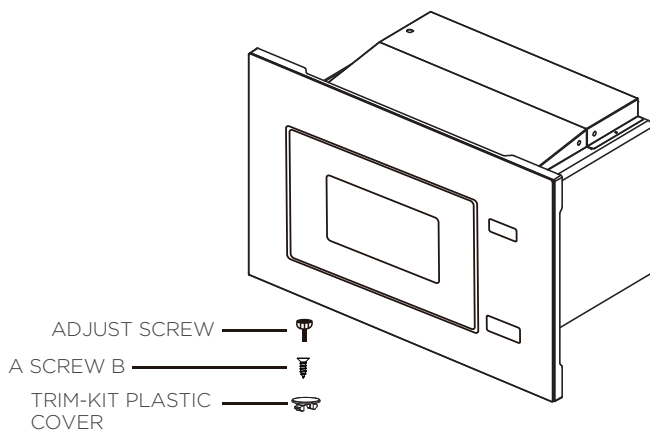
1. This appliance is only intended for domestic use.
2. This oven is intended for built-in use only. It is not intended for counter-top use or for use inside a cabinet.
3. Please observe the special installation instructions.
4. The appliance can be installed in a 60cm wide wallmounted cupboard.
5. The appliance is fitted with a plug and must only be connected to a properly installed earthed socket.
6. The mains voltage must correspond to the voltage specified on the rating plate.
7. The socket must be installed and connecting cable must only be replaced by a qualified electrician. If the plug is no longer to accessible following installation, an all-pole disconnecting device must be present on the installation side with a contact gap of at least 3mm.
8. Adapters, multi-way strips and extension leads must not be used. Overloading can result in a risk of fire.
9. Don't use under the work surface and that it must not be subject to spillage from containers onto surfaces under which the appliance is installed.

The accessible surface may be hot during operation.



Installation Instructions

Please Read the Manual Carefully Before Installation



Please note

Electrical connection

The oven is fitted with a plug and must be only connected to a properly installed earthed socket. In accordance with the appropriate regulations, the socket must only be installed and the connecting cable must only be replaced by a qualified electrician. If the plug is no longer accessible following installation and all-pole isolating switch must be present on the installation side with a contact gap of at least 3mm.

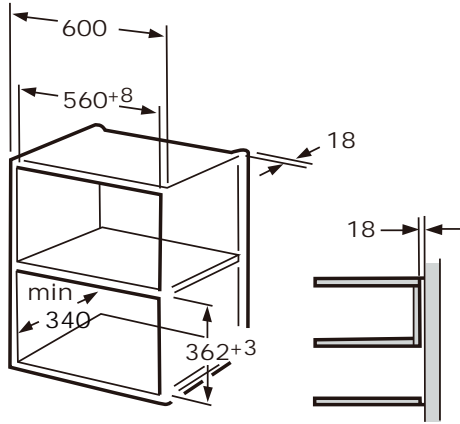
A. Built-in furniture

The built-in cupboard shall not have a rear wall behind the appliance. Minimum installation height is 85cm.

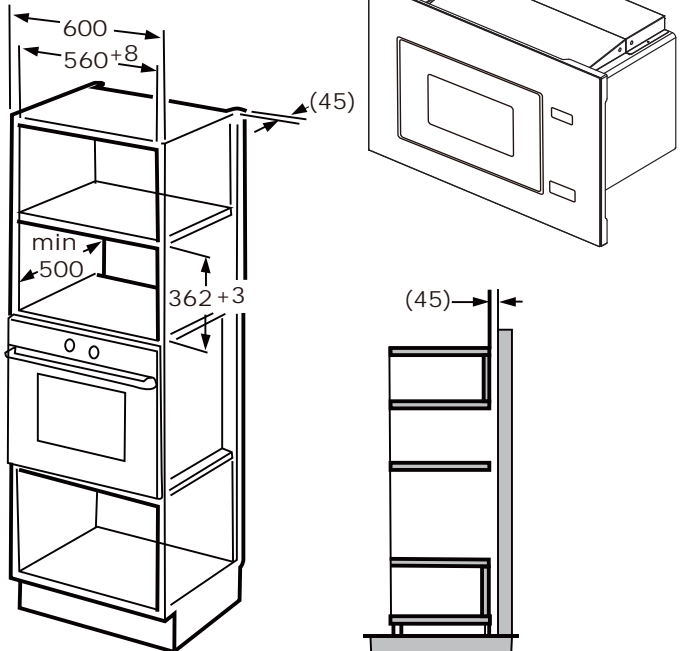
Do not cover ventilation slots and air intake points.

The dimensions in the figures are in mm.

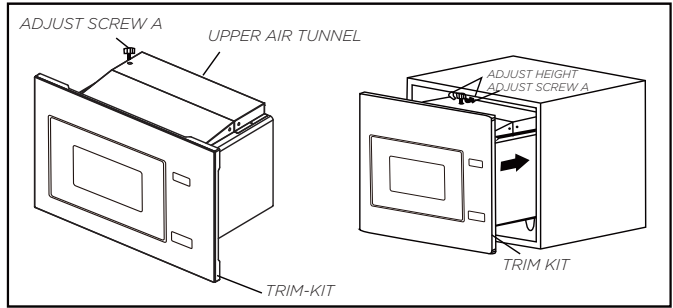
1.



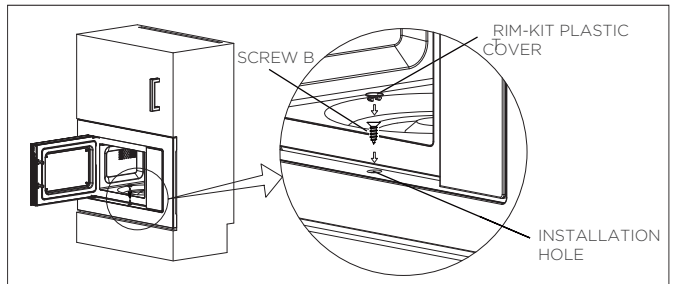
2.



B. Install the Oven



1. Fix ADJUST SCREW A on the UPPER AIR TUNNEL of the oven, and then install the oven into the cupboard.
 - Adjust the height of ADJUST SCREW A to keep 1mm gap between the ADJUST SCREW A and the top plane of cupboard.
 - Do not trap or kink the power cord.
 - Make sure that the oven is installed in the center of the cupboard.



2. Open the door, and then fix the oven to the cupboard with SCREW B at the INSTALLATION HOLE of TRIM KIT. Then fix the TRIM-KIT PLASTIC COVER to the INSTALLATION HOLE.

Specifications

Model: BIM320G52BGUK/745269
Rated Voltage/Frequency: 230V- 50 Hz
Rated Input Power (Microwave):1250 W
Rated Output Power (Microwave): 800 W
Rated Input Power (Grill):1000 W

Energy Consumption

Product information for power consumption and maximum time to reach applicable low power mode.

Standby mode	0.8 W
--------------	-------

The maximum time needed for the microwave oven to automatically reach the applicable low power mode or condition. 20 minutes

Trouble shooting

Normal	
Microwave oven interfering TV reception	Radio and TV reception may be interfered when microwave oven operating. It is similar to the interference of small electrical appliances, like mixer, vacuum cleaner, and electric fan. It is normal.
Dim oven light	In low power microwave cooking, oven light may become dim. It is normal.
Steam accumulating on door, hot air out of vents	In cooking, steam may come out of food. Most will get out from vents. But some may accumulate on cool place like oven door. It is normal.
Oven started accidentally with no food in.	It is forbidden to run the unit without any food inside. It is very dangerous.

Trouble	Possible Cause	Remedy
Oven cannot be started.	(1). Power cord is not plugged in tightly.	Unplug. Then plug again after 10 seconds.
	(2). Fuse blowing or circuit breaker works.	Replace fuse or reset circuit breaker (repaired by professional personnel of our company)
	(3). Trouble with outlet.	Test outlet with other electrical appliances.
Oven does not heat.	(4). Door is not closed well.	Close door well.



According to Waste of Electrical and Electronic Equipment (WEEE) directive, WEEE should be separately collected and treated. If at any time in future you need to dispose of this product please do NOT dispose of this product with household waste. Please send this product to WEEE collecting points where available.

GUARANTEE & SERVICE

If you need information or if you have a problem, please contact the Customer Care Centre in your country (you find its phone number in the worldwide guarantee leaflet). If there is no Customer Care Centre in your country, go to your local dealer or contact the Service department of domestic appliances.

Eventual mismatches in colour shades between different appliances or components within a single design line may occur due to various factors, such as different angles under which the appliances are observed, different coloured backgrounds, materials, and room illumination.

For personal use only!

Additional recommendations for cooking with microwave and useful advices can be found on web side:

global.hisense.com

**WISHES YOU A LOT OF PLEASURE WHILE USING
YOUR APPLIANCE**

Hisense

We reserve the right to any changes and errors in the instructions for use.

global.hisense.com