

K 4 WCM

English
العربية

5
12



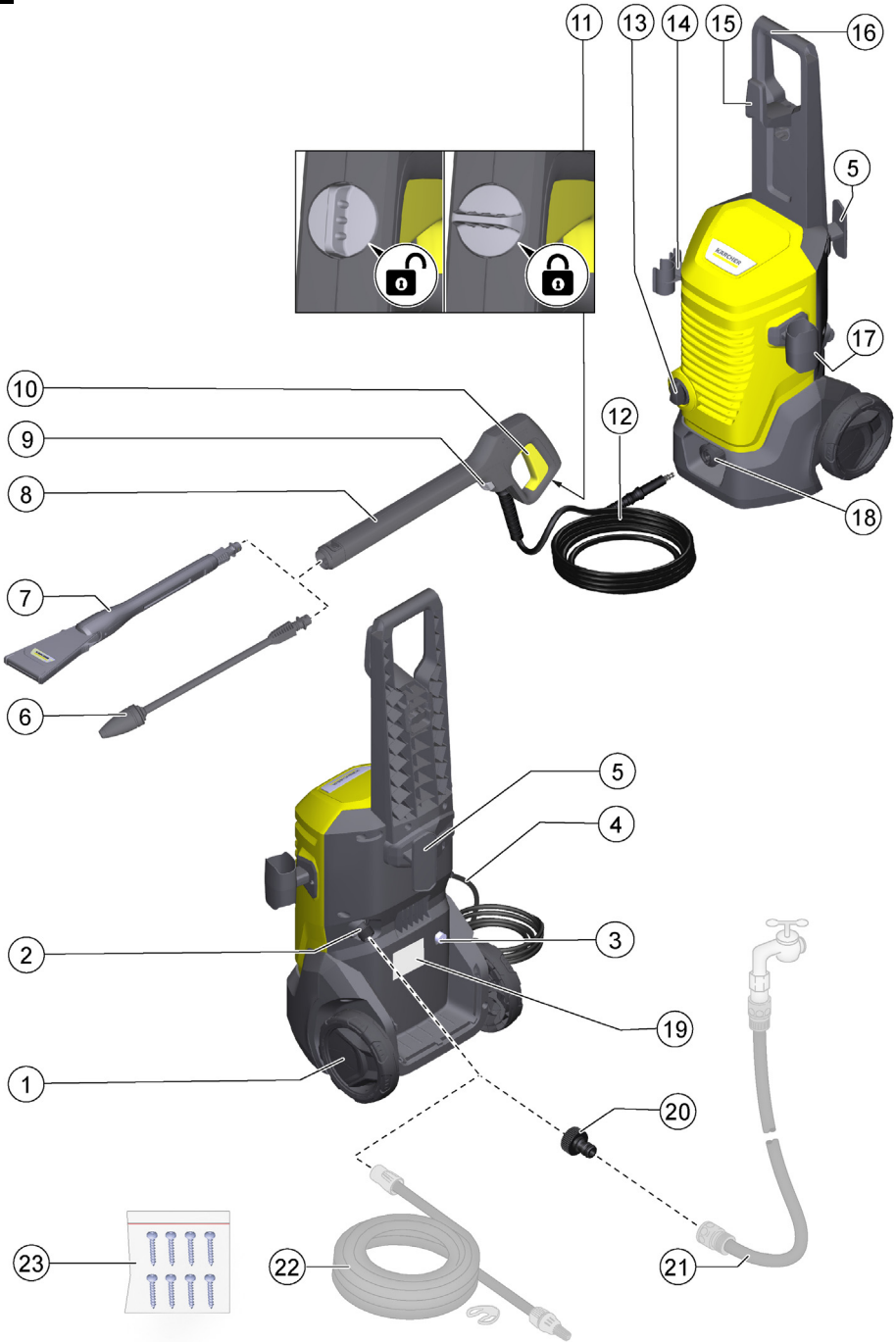
Read Online

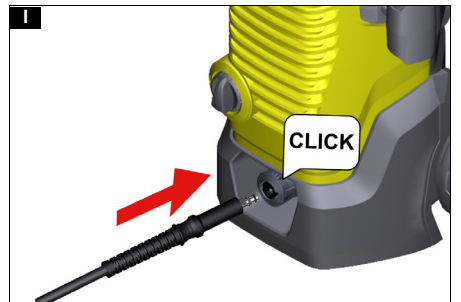
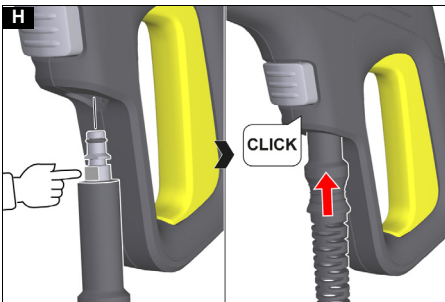
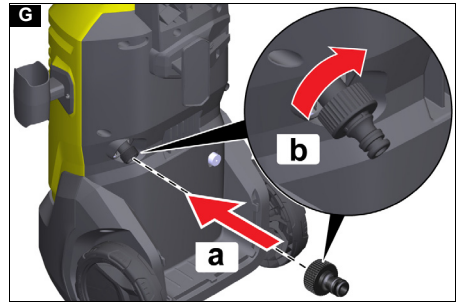
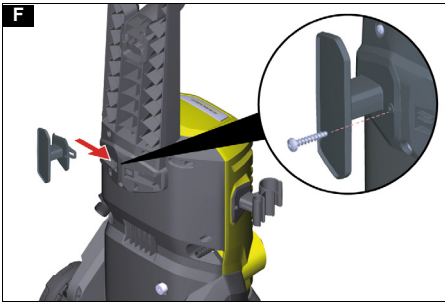
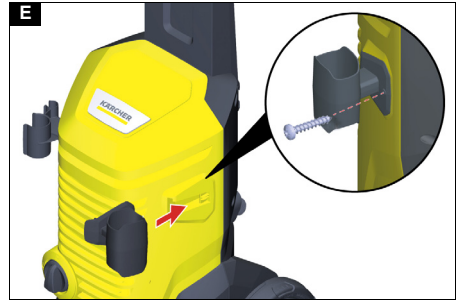
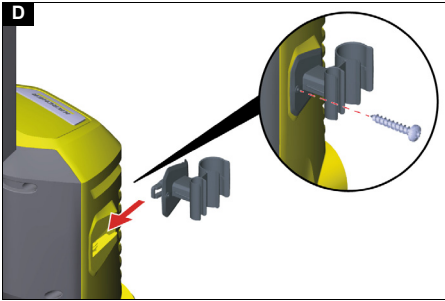
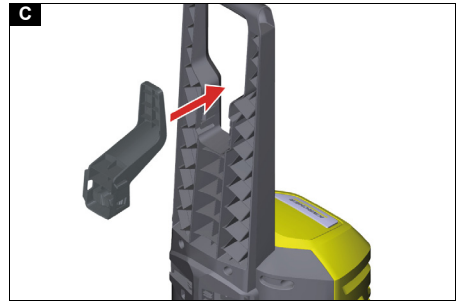
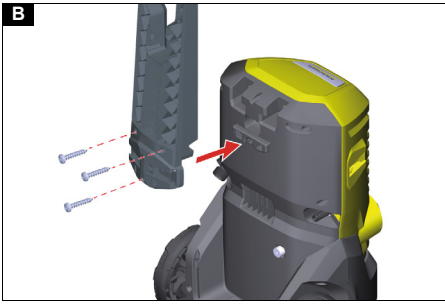


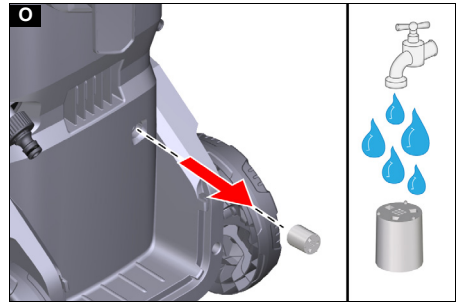
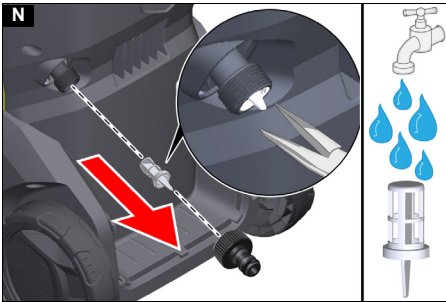
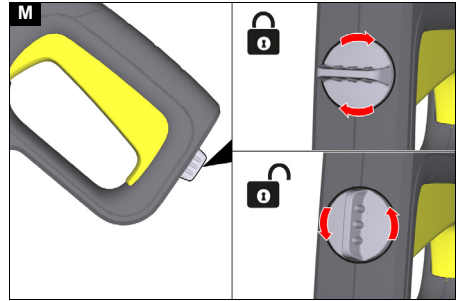
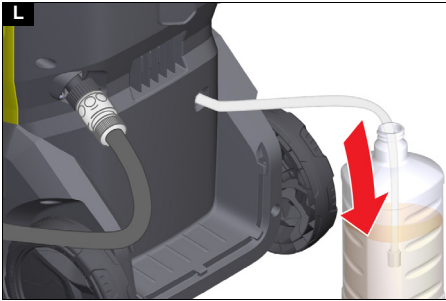
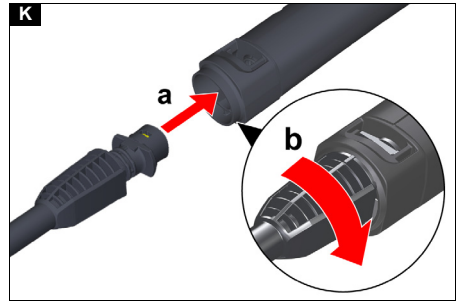
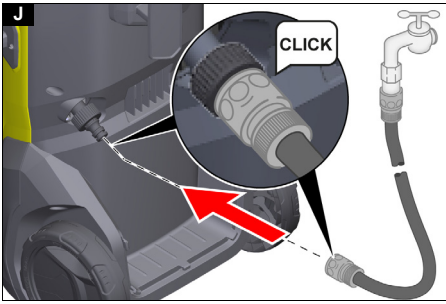
59805260 (09/25)



**Register
your product**
www.kaercher.com/register

A





Contents

KÄRCHER Home & Garden App	5
Safety instructions	5
Safety devices	6
Symbols on the device	6
Intended use	6
Environmental protection	6
Accessories and spare parts	7
Scope of delivery	7
Device description	7
Installation	7
Initial startup	7
Operation	8
Transport	9
Storage	9
Care and service	9
Troubleshooting guide	9
Warranty	10
UK Declaration of Conformity	10
EU Declaration of Conformity	10
Technical data	11

KÄRCHER Home & Garden App

With the KÄRCHER Home & Garden app, you benefit from the following advantages when using your device:

- Application tips & expert knowledge
- Product information, overview of accessories and operating instructions
- Support and service contact
- Online shop - exclusive offers and much more

Download the KÄRCHER Home & Garden app from your app store and conveniently register your product.

Safety instructions



Read this safety chapter and these original instructions before using the device for the first time. Act in accordance with

them. Keep the original instructions for future reference or for future owners.

- In addition to the notes in the operating instructions, you also need to take into consideration the general safety regulations and accident prevention guidelines applicable by law.
- Warnings and information notices attached to the device provide important information for hazard-free operation.

Hazard levels

⚠ DANGER

- Indication of an imminent threat of danger that will lead to severe injuries or even death.

⚠ WARNING

- Indication of a potentially dangerous situation that may lead to severe injuries or even death.

⚠ CAUTION

- Indication of a potentially dangerous situation that may lead to minor injuries.

ATTENTION

- Indication of a potentially dangerous situation that may lead to damage to property.

Operation

⚠ DANGER • Operation in explosive atmospheres is prohibited. • Never suction solvents, liquids containing solvents or undiluted acids. This includes e.g. petrol, paint thinner or heating oil. The spray mist is highly flammable, explosive and poisonous. • Damaged wheels / tyre valves are extremely dangerous. Damaged wheels / tyre valves can be damaged by the high-pressure jet and explode. The first sign of this is discolouration of the tyres. Keep a spray distance of at least 30 cm when cleaning the wheels / tyre valves.

⚠ WARNING • Do not use the device if people without the proper protective clothing are in its reach. • Do not aim the high-pressure jet at yourself, e.g. to clean clothes or shoes. • Do not direct the high-pressure jet at persons, animals, live electrical equipment or at the device itself. • Do not spray any objects which contain harmful substances (e.g. asbestos). • Check the device and the accessories, such as the high-pressure hose, high-pressure gun and safety devices, to make sure they are in proper safe and reliable condition before each operation. Do not use the device if it is damaged. Replace damaged components immediately. • Only use high-pressure hoses, control panels and couplings specified by the manufacturer. • Risk of scalding. When disconnecting the supply or high-pressure hose, hot water can leak out of the connections after operation.

⚠ CAUTION • According to the applicable regulations, the appliance may never be used with the drinking water network without a system separator. Ensure that the connection to your house water system, with which the high-pressure cleaner is operated, is equipped with a system separator according to EN 12729 type BA. • Water that has flowed through a system separator is no longer classified as drinkable. • Never leave the device unsupervised while it is in operation. • Recoil force from the water stream emerging at the high-pressure nozzle acts on the high-pressure gun. Keep proper footing and hold the high-pressure gun and spray lance firmly. • Accidents or damage due to the device falling over. Before all actions with or on the device, you must make sure that it is stable.

ATTENTION • Do not operate the device at temperatures below 0 °C.

Protective gear

⚠ CAUTION • Wear suitable protective clothing and safety goggles to protect yourself from water or dirt backsplash. • Aerosols can be formed when using high-pressure cleaners. Inhaling aerosols can be harmful for your health. Depending on the application, the use of fully shielded nozzles (e.g. surface cleaners) can significantly lower the emission of aqueous aerosols. Depending on the environment to be cleaned, wear a suitable respiratory protective mask of class FFP 2 or comparable to protect yourself from inhaling aerosols if the use of a fully shielded nozzle is not possible.

Risk of electric shock

⚠ DANGER • Only connect protection class I devices to properly earthed power sources. • Only connect the device to alternating current. The voltage indicated on the type plate must match the voltage of the power source. • Only operate the device via a fault current protection switch (maximum 30 mA). • Never

touch the mains plug and socket with wet hands. • The mains plug and coupling of the extension cable must be water tight and may not be placed in water. The coupling may not be on the floor. Use cable drums to ensure that the sockets are at least 60 mm above the floor. • All live parts in the work area must be protected against water jets.

⚠ WARNING • Only connect the device to an electrical connection which has been set up by a qualified electrician as per IEC 60364-1. • Check that the mains connection cable with mains plug is undamaged each time before using the device. To avoid any possible danger, a damaged mains connection cable must be immediately replaced by the manufacturer, or the authorised customer service department or a qualified electrician. • Do not damage the power supply and extension cable by running over it, crushing or yanking it or similar. Protect the power supply cable from heat, oil and sharp edges. • Unsuitable electrical extension cables are dangerous. Only use approved and appropriately marked electrical extension cables with a sufficient line cross section when outdoors: 1-10 m : 1.5 mm², 10-30 m : 2.5 mm²

⚠ CAUTION • Always fully unwind the extension cable from the cable drum. • In case of longer breaks in operation and after use, switch off the device at the main switch / device switch and pull the mains plug.

Operation with detergent

⚠ WARNING • Incorrect use of detergents can cause serious injuries or poisoning.

⚠ CAUTION • Keep the detergent out of the reach of children. • Only use the detergents supplied or specified by the manufacturer. The use of other detergents or chemicals can impair the safety of the device.

Care and service

⚠ WARNING • Always pull out the mains plug before all care and maintenance work.

⚠ CAUTION • Have repair work and work on electrical components carried out by the authorised customer service only.

ATTENTION • Do not use acetone, undiluted acids or solvents, as they corrode the materials used on the device.

Transportation

⚠ CAUTION

• Risk of accidents and injuries. Take into account the weight of the device for transportation and storage. See chapter Technical data in the operating instructions.

General safety instructions

⚠ DANGER • Risk of asphyxiation. Keep packaging film out of the reach of children.

⚠ WARNING • Only use the device for its proper use. Take into account the local conditions and beware of third parties, in particular children, when working with the device. • Persons with reduced physical, sensory or mental capabilities and persons lacking experience and knowledge may only use the appliance if they are properly supervised, have been instructed on use of the appliance safely by a person responsible for their safety, and understand the resultant hazards involved.

• Children must not operate the device. • Children must be supervised to prevent them from playing with the appliance.

⚠ CAUTION • Safety devices are provided for your own protection. Never modify or bypass safety devices.

Safety devices

⚠ WARNING

Danger of injury!

Serious injuries due to missing, modified or ineffective safety devices.

Do not bypass or remove the safety devices and do not render them ineffective. Safety devices are provided for your own protection.

Power switch

The power switch prevents unintentional operation of the device.

High-pressure gun lock

The lock locks the lever of the high-pressure gun and prevents the device from starting unintentionally.

Auto-stop function

If the lever of the high-pressure gun is released, the pressure switch turns off the pump and the high-pressure jet stops. The pump switches on again when the lever is pressed.

Motor circuit breaker

The motor circuit breaker shuts off the device if power consumption is too high.

Symbols on the device



Do not aim the high-pressure jet may at persons, animals, live electrical equipment or the device itself.

Protect the device against frost.



The device may not be connected to the public drinking water network.

Intended use

Use the high-pressure cleaner in private households only.

The high-pressure cleaner is intended for cleaning machines, vehicles, buildings, tools, façades, terraces, garden machines etc. using a high-pressure water jet.


Environmental protection





The packing materials can be recycled. Please dispose of packaging in accordance with the environmental regulations.



Electrical and electronic devices contain valuable, recyclable materials and often components such as batteries, rechargeable batteries or oil, which - if handled or disposed of incorrectly - can pose a potential danger to human health and the environment. However, these components are required for the correct operation of the device. Devices marked by this symbol are not allowed to be disposed of together with the household rubbish.

 Cleaning work producing in oily waste water, e.g. washing engines, washing undercarriages etc., may only be performed at washing stations with an oil separator.

 Working with detergents may only be performed on watertight surfaces with connection to the waste water sewage system. Do not allow detergent to enter waterways or the soil.

 Extraction of water from public waterways is not permitted in some countries.

Notes on the content materials (REACH)

Current information on content materials can be found at: www.kaercher.de/REACH

Accessories and spare parts

Only use original accessories and original spare parts. They ensure that the appliance will run fault-free and safely.

Information on accessories and spare parts can be found at www.kaercher.com.

Scope of delivery

The scope of delivery for the appliance is shown on the packaging. Check the contents for completeness when unpacking. If any accessories are missing or in the event of any shipping damage, please notify your dealer.

Device description

For the illustrations, refer to the graphics page

- ① Transport wheel
 - ② Water connection with integrated sieve
 - ③ Detergent suction hose
 - ④ Mains connection cable with mains plug
 - ⑤ Mains connection cable storage compartment
 - ⑥ Spray lance dirt blaster for stubborn soiling
 - ⑦ Spray lance eco!Booster
 - ⑧ High-pressure gun
 - ⑨ Release button
 - ⑩ High-pressure gun lever
 - ⑪ High-pressure gun lock
 - ⑫ High-pressure hose
 - ⑬ Trigger "0/OFF" / "1/ON"
 - ⑭ Storage for spray lance
 - ⑮ Storage for high-pressure hose
 - ⑯ Transport handle
 - ⑰ Storage for high-pressure gun
 - ⑱ Quick coupling for high-pressure connection
 - ⑲ Type plate
 - ⑳ Water connection coupling
 - ㉑ **Garden hose (fabric reinforced, diameter at least 1/2 inch (13 mm), length at least 7.5 m, with commercially available quick coupling)
 - ㉒ **KÄRCHER suction hose for water supply from open containers (order no. 2.643-100)
 - ㉓ Screws
- ** additionally required

Installation

For the illustrations, refer to the graphics page.

Fit the supplied loose parts onto the device before starting up the device.

Have the included screws and the appropriate screw-driver ready.

Mounting the transport handle

1. Attach the transport handle.
2. Secure the transport handle with 3 screws.

Illustration B

Mounting the storage option for the high-pressure hose

1. Insert the storage option for the high-pressure hose into the holder at the centre of the transport handle. The storage option locks into place.

Illustration C

Mounting the storage option for spray lances

1. Push in the storage option for the spray lances into the holder on the device.
2. Hold the storage option in the end position and secure it using a screw.

Illustration D

Mounting the storage option for the high-pressure gun

1. Push in the storage option for the high-pressure gun into the holder on the device.
2. Hold the storage option in the end position and secure it using a screw.

Illustration E

Mounting the storage option for the mains connection cable

1. Push in the storage option for the mains connection cable into the holder on the transport handle.
2. Hold the storage option in the end position and secure it using a screw.

Illustration F

Installing the water connection coupling

1. Screw the water connection coupling onto the water connection on the device.

Illustration G

Initial startup

1. Place the device on a flat and level surface.
2. Unwind the high-pressure hose and eliminate any loops and twists.
3. Insert the high-pressure hose into the high-pressure gun until it audibly latches into place.

Illustration H

Note

Take care to ensure the correct alignment of the nipple.

4. Insert the high-pressure hose into the quick coupling until it audibly latches into place.

Illustration I

5. Check for a secure connection by pulling on the high-pressure hose.
6. Plug the mains plug into a mains socket.

Water supply

For the connected load, see *Technical data* or type plate.

Observe the water distribution company regulations.

ATTENTION

Risk of damage!

Damage to the device and accessories in case of contamination in the water or use of salt water.

Use only clean water and no salt water.

Note

Kärcher recommends the use of an optional Kärcher water filter.

Connection to the water line

ATTENTION

Risk of damage when using hose couplings made of brass with AquaStop function from third-party suppliers.

Damage to the high-pressure pump.

Only use hose couplings with/without AquaStop function from Kärcher, hose couplings without AquaStop function or hose couplings made of plastic with AquaStop function from third-party suppliers.

1. Plug the garden hose onto the water connection coupling.

Illustration J

2. Connect the garden hose to the water line.
3. Open the water tap completely.

Suck water from open containers

This high-pressure cleaner with the KÄRCHER suction hose is suitable for sucking in surface water, e.g. from water butts or ponds (for maximum suction height, see *Technical data*).

1. Unscrew the coupling on the water connection.
2. Fill the suction hose with water.
3. Screw the suction hose onto the water connection of the device and hang it in a water source (e.g. rain barrel).

Vent the device

1. Switch the device on ("I/ON").
2. Unlock the lever of the high-pressure gun.
3. Press the lever of the high-pressure gun. The device switches on.
4. Allow the device to run a maximum of 2 minutes until the water escaping from the high-pressure gun is free of air bubbles.
5. Release the lever of the high-pressure gun.
6. Lock the lever of the high-pressure gun.

Operation

ATTENTION

Risk of damage due to the pump running dry!

Pump damage

Switch off the device if it does not build up pressure within 2 minutes.

Proceed according to the instructions in Troubleshoot-ing guide.

High-pressure operation

ATTENTION

Damage to painted or sensitive surfaces

Surfaces can be damaged when the jet is too close to the surface or an unsuitable spray lance is used.

Maintain a minimum spray distance of 30 cm when cleaning painted surfaces.

Do not clean car tyres, paint or sensitive surfaces such as wood with the dirt blaster.

1. Insert a spray lance into the high-pressure gun and lock it by turning it 90°.

Illustration K

2. Switch the device on ("I/ON").
3. Unlock the lever of the high-pressure gun.
4. Press the lever of the high-pressure gun. The device switches on.

Operation with detergent

⚠ DANGER

Risk of injury from detergent

Serious damage to health due to improper use of detergents.

Observe the detergent manufacturer's safety data sheet.

Wear the prescribed personal protective gear.

Note

KÄRCHER detergents ensure fault-free operation. Ask us for a consultation, request our catalog or our detergent information sheets.

Note

Detergent can only be mixed into the jet at low pressure.

1. Pull the detergent suction hose out of the casing to the desired length.

Illustration L

2. Hang the detergent suction hose in a container with detergent solution.
3. Disconnect the spray lance from the high-pressure gun and work only with the high-pressure gun. The detergent solution is mixed with the water jet during operation.

Recommended cleaning method

1. Spray the detergent sparingly on the dry surface and let it work for a while (do not let it dry).
2. Rinse off the loosened dirt with the high-pressure jet.

After operation with detergent

1. Flush the device with clear water for approx. 30 seconds.

Interrupting operation

1. Release the lever of the high-pressure gun. The device switches off when the lever is released. The high pressure in the system is retained.
2. Lock the lever of the high-pressure gun.

Illustration M

3. Switch the device off "0/OFF" during work breaks longer than 5 minutes.

Ending operation

⚠ CAUTION

Danger of injury!

Injuries due to uncontrolled water escaping under high pressure.

Only disconnect the high-pressure hose from the high-pressure gun or the device if there is no pressure in the system.

1. Release the lever of the high-pressure gun.
2. Close the water tap.
3. Press the lever of the high-pressure gun for 30 seconds. The pressure in the system is released.
4. Release the lever of the high-pressure gun.
5. Lock the lever of the high-pressure gun.
6. Switch off the device "0/OFF".
7. Disconnect the device from the water supply.
8. Pull the mains plug out of the outlet.

Transport

⚠ CAUTION

Risk of injury or damage due to the weight of the device!

Injury and damage.

Be aware of the weight of the device during transport and storage.

Pulling the device

1. Pull the device via the transport handle.

Transporting the device in a vehicle

1. Secure the device against slipping and tipping over.

Storage

⚠ CAUTION

Risk of injury or damage due to the weight of the device!

Injury and damage.

Be aware of the weight of the device during transport and storage.

Storing the device

1. Place the device on a level surface.
 2. Press the disconnect button on the high-pressure gun and disconnect the high-pressure hose from the high-pressure gun.
 3. Disconnect the spray lance from the high-pressure gun.
 4. Stow both spray lances and the high-pressure gun in the appropriate storage options.
 5. Disconnect the high-pressure hose from the device.
 6. Store the high-pressure hose on the device.
 7. Stow the mains connection cable on the device.
- Observe the additional notes before storing the device for a longer period of time, see chapter *Care and service*.

Frost protection

ATTENTION

Risk of damage!

Damage to the device and accessories due to freezing water.

Completely empty the device and accessories after each use.

Protect the device and accessories from temperatures below or equal to 0 °C (32 °F).

1. Disconnect the water supply from the device.
2. Remove the high-pressure hose from the device.
3. Switch on the device "I/ON".
4. Wait for a maximum of 1 minute until no more water escapes from the high-pressure connection.
5. Switch off the device "0/OFF".
6. Store the device and accessories in a frost-protected room.

Care and service

⚠ DANGER

Danger of electric shock

Injuries due to touching live parts

Switch off the device.

Remove the mains plug.

The device is maintenance-free, i.e. you do not need to perform any maintenance work.

Clean the sieve in the water connection

ATTENTION

Risk of damage due to missing or damaged sieve!

Damage to the high-pressure pump

Do not operate the device without a sieve.

Do not clean the sieve with hard, pointed objects.

Clean the sieve in the water connection if necessary.

1. Unscrew the coupling on the water connection.
2. Pull out the sieve.

Illustration N

3. Clean the sieve under running water.
4. Insert the sieve into the water connection.

Cleaning the detergent filter

Clean the detergent filter before prolonged storage.

1. Remove the filter from the detergent suction hose.
2. Clean the filter under running water.

Illustration O

Troubleshooting guide

Malfunctions often have simple causes that you can remedy yourself using the following overview. When in doubt, or in the case of malfunctions not mentioned here, please contact your authorized Customer Service.

⚠ DANGER

Danger of death!

Fatal injuries due to electric shock when touching live parts.

Do not touch any live parts.

Switch off the device.

Pull the mains plug out of the mains socket.

Device not running

1. Press the lever of the high-pressure gun. The device switches on.
2. Check that the voltage specified on the type plate corresponds to the voltage of the power source.
3. Check the mains connection cable for damage.
4. If the motor is overloaded and the motor circuit breaker has triggered:
 - a Switch off the device "0/OFF".
 - b Allow the device to cool down for 1 hour.
 - c Switch the device on "I/ON" and resume operation.

Have the device checked by Customer Service if this fault occurs repeatedly.

The device does not start up, the motor buzzes

Voltage drop due to a weak mains grid or when using an extension cable

1. When switching on, first press the lever on the high-pressure gun and then switch on the device "I/ON".

Device does not reach required pressure

The water supply is too low.

1. Open the water tap fully.
2. Check the water inlet for an adequate flow rate.
3. Check the setting at the spray lance.
4. Check that the maximum suction height is not exceeded.

The sieve in the water connection is dirty.

1. Pull the sieve in the water connection out using flat pliers.
2. Clean the sieve under running water.

Illustration N

Air is in the device.

1. Vent the device:
 - a Switch on the device without a connected spray lance for a maximum of 2 minutes.

- b Press the high-pressure gun and wait until the water escaping from the high-pressure gun is free of air bubbles.
- c Connect the spray lance.

Strong pressure fluctuations

1. Cleaning the high-pressure nozzle:
 - a Remove contamination from the nozzle drill with a needle.
 - b Rinse the high-pressure nozzle with water from the front.
2. Check the water supply volume.

Device leaking

1. The device leaks a small amount for technical reasons. If the leak is severe, request authorised Customer Service.

Detergent is not sucked in

1. Disconnect the spray lance from the high-pressure gun and work only with the high-pressure gun.
2. Clean the filter on the detergent suction hose.
3. Check the detergent suction hose for kinks.

Warranty

The warranty conditions issued by our relevant sales company apply in all countries. We shall remedy possible malfunctions on your appliance within the warranty period free of cost, provided that a material or manufacturing flaw is the cause. In a warranty case, please contact your dealer (with the purchase receipt) or the next authorised customer service site.

(See overleaf for the address)

Further warranty information (if available) can be found in the service area of your local Kärcher website under "Downloads".

UK Declaration of Conformity

We hereby declare that the product named below complies with the relevant provisions of the directives and regulations listed. This declaration is invalidated by any changes made to the product that are not approved by us. The manufacturer shall bear sole responsibility for issuing of this declaration of conformity.

Product: High-pressure cleaner

Type: 1.324-xxx

Directives and Regulations

- S.I. 2008/1597 (as amended)
- S.I. 2016/1091 (as amended)
- S.I. 2012/3032 (as amended)
- S.I. 2001/1701 (as amended)
- S.I. 2010/2617 (as amended)
- (EU) 2019/1781

Designated standards used

- EN 60335-1
- EN 60335-2-79
- EN 62233: 2008
- EN 55014-1: 2017 + A11: 2020
- EN 55014-2: 1997 + A1: 2001 + A2: 2008
- EN 61000-3-2: 2014
- EN 61000-3-3: 2013
- EN IEC 63000: 2018

Applied conformity assessment procedure

S.I. 2001/1701 (as amended): Schedule 8

Sound power level dB(A)

Measured: 82

Guaranteed: 84

Name and address

Documentation supervisor:

S. Reiser
 Alfred Kärcher SE & Co. KG
 Alfred-Kärcher-Str. 28 - 40
 71364 Winnenden (Germany)
 Tel.: +49 7195 14-0
 Fax: +49 7195 14-2212



H. Jenner
 Chairman of the Board of Management



S. Reiser
 Manager Regulatory Affairs & Certification

Alfred Kärcher SE & Co. KG
 Alfred-Kärcher-Str. 28 - 40
 71364 Winnenden (Germany)
 Ph.: +49 7195 14-0
 Fax: +49 7195 14-2212
 Winnenden, 2025/06/01

EU Declaration of Conformity

We hereby declare that the product named below complies with the relevant provisions of the directives and regulations listed. This declaration is invalidated by any changes made to the product that are not approved by us. The manufacturer shall bear sole responsibility for issuing of this declaration of conformity.

Product: High-pressure cleaner

Type: 1.324-xxx

Directives and Regulations

- 2006/42/EC (+2009/127/EC)
- 2014/30/EU
- 2011/65/EU
- 2000/14/EC
- 2009/125/EC
- (EU) 2019/1781

Harmonised standards used

- EN 60335-1
- EN 60335-2-79
- EN 62233: 2008
- EN 55014-1: 2017 + A11: 2020
- EN 55014-2: 1997 + A1: 2001 + A2: 2008
- EN 61000-3-2: 2014
- EN 61000-3-3: 2013
- EN IEC 63000: 2018

Applied conformity evaluation method

2000/14/EG: Annex V

Sound power level dB(A)

Measured: 82

Guaranteed: 84

Name and address

Documentation supervisor:
 S. Reiser
 Alfred Kärcher SE & Co. KG
 Alfred-Kärcher-Str. 28 - 40
 71364 Winnenden (Germany)
 Tel.: +49 7195 14-0
 Fax: +49 7195 14-2212



H. Jenner
 Chairman of the Board of Management



S. Reiser
 Manager Regulatory Affairs & Certification

Alfred Kärcher SE & Co. KG
 Alfred-Kärcher-Str. 28 - 40
 71364 Winnenden (Germany)

Ph.: +49 7195 14-0
 Fax: +49 7195 14-2212
 Winnenden, 2025/06/01

Technical data		
Electrical connection		
Voltage	V	230-240
Phase	~	1
Frequency	Hz	50
Current consumption	A	8
Protection type		IPX5
Protection class		I
Power protection (slow-blowing)	A	13
Water connection		
Feed pressure (max.)	MPa	1,2
Input temperature (max.)	°C	40
Input amount (min.)	l/min	9
Suction height (max.)	m	0,5
Device performance data		
Operating pressure	MPa	11
Max. permissible pressure	MPa	13
Water flow rate	l/min	6,3
Detergent flow rate	l/min	0,3
High-pressure gun recoil force	N	16
Dimensions and weights		
Typical operating weight	kg	13,3
Length	mm	329
Width	mm	369
Amount	mm	901
Values determined in accordance with EN 60335-2-79		
Hand-arm vibration value	m/s^2	1,8
Uncertainty K	m/s^2	0,7
Sound level L_{pA}	dB(A)	68
Uncertainty K_{pA}	dB(A)	3
Sound power level L_{WA} + Uncertainty K_{WA}	dB(A)	84

Subject to technical modifications.
 Exception according to Regulation (EU) 2019/1781 Annex I Section 2 (12): j)

- لا تقم بتشغيل الجهاز دون مصفاة.
لا تنظف المصفاة بأشياء صلبة ومدمبة.
تنظيف المصفاة في وصلة المياه عند اللزوم.
1. اربط الوصلة في وصلة المياه.
 2. سحب المصفاة.
- صورة إيضاحية N**
3. تنظيف المصفاة تحت المياه الجارية.
 4. تركيب المصفاة في وصلة المياه.

- الجهاز يُسرب**
1. وجود تسرب لطيف في الجهاز هو أمر ضروري فنيًا. في حالة وجود تسرب كثيف يجب التواصل مع خدمة العملاء المعتمدة.
- يجب عدم شطف مواد التنظيف**
1. فصل أنبوب النقيّ الخاص بمسدس الضغط العالي، وتشغيله فقط مع وجود مسدس الضغط العالي.
 2. قم بتنظيف الفلتر من خرطوم شطف مواد التنظيف.
 3. افحص خرطوم شطف مواد التنظيف بحثًا عن وجود انتناات.

الضمان

يسري في كل دولة شروط الضمان التي تضعها شركة التسويق المتخصصة التابعة لنا. نحن نتولى إصلاح الأخطاء التي قد تطرأ على جهازك خلال فترة الضمان بدون مقابل، عندما يكون سبب هذه الأعطال ناجم عن عيب في المواد المستخدمة أو في عملية التصنيع. في حالة استحقاق الضمان، توجه من فضلك بقسيمة الشراء إلى أقرب موزع أو مركز خدمة عملاء معتمد. (العنوان على الصفحة الخلفية)

يمكن العثور على المزيد من المعلومات حول الضمان (إن وجدت) في قسم الخدمة على موقع Kärcher المحلي تحت عنوان "التنزيلات".

البيانات الفنية

توصيل الطاقة	
230-240	V
1	~
50	Hz
8	A
IPX5	نوع الحماية
I	فئة الحماية
13	A (محمول)
وصلة المياه	
1,2	MPa (الأقصى)
40	C° (درجة حرارة التدفق (القصوى))
9	l/min (كمية التدفق (الدنيا))
0,5	m (مستوى الشفط (الأقصى))
أداء الجهاز	
11	MPa ضغط التشغيل
13	MPa الضغط الأقصى المسموح به
6,3	l/min كمية الإمداد، المياه
0,3	l/min كمية الإمداد، مواد التنظيف
16	N قوة ارتجاع مسدس الضغط العالي
الأبعاد الوزن	
13,3	kg وزن التشغيل النمطي
329	mm الطول
369	mm العرض
901	mm الارتفاع
القيم المسجلة وفقًا للمواصفة EN 60335-2-79	
1,8	m/s ² القيمة الاهتزازية لليد والذراع
0,7	m/s ² K قيمة الشك
68	dB(A) مستوى انبعاث الصوت L _{PA}
3	dB(A) قيمة الشك K _{PA}
84	dB(A) مستوى قدرة الصوت L _{WA} + قيمة الشك K _{WA}

المواصفات الفنية خاضعة للتعديل.
سبب الاستثناء وفقًا للائحة (EU) 2019/1781 الملحق الأول القسم (12): (j)

تنظيف فلتر مواد التنظيف

- قم بتنظيف فلتر مواد التنظيف قبل تخزينه لفترة طويلة.
1. اسحب الفلتر من خرطوم شطف مواد التنظيف.
2. نظف الفلتر تحت المياه الجارية.
- صورة إيضاحية O**

المساعدة في حالة حدوث أعمال

في الغالب تكون للاختلالات أسباب بسيطة يمكنك التغلب عليها ببساطة بالاستعانة بالعرض العام التالي. في حالات الشك أو عند حدوث اختلالات غير مذكورة هنا فيرجى التوجه إلى خدمة العملاء المعتمدة.

⚠️ خطر

خطر على الحياة

- إصابات مميتة بسبب التعرض لصدمة كهربائية عند لمس الأجزاء الواقعة تحت فلطية.
لا تلمس الأجزاء الواقعة تحت فلطية.
قم بإغلاق الجهاز.
اسحب قابس الشبكة من مقبس الشبكة.

الجهاز لا يعمل

1. ضغط رافعة مسدس الضغط العالي. الجهاز يعمل.
 2. التأكد من توافق بيانات الجهد الموجودة على لوحة الطراز مع جهد مصدر التيار.
 3. افحص وصلة الكهرباء من حيث وجود أضرار.
 4. في حالة فرط التحميل على المحرك، وتحريم مفتاح حماية المحرك:
- a أطفى الجهاز "OFF/0".
b اترك الجهاز لمدة ساعة واحدة ليبرد.
c تشغيل الجهاز "I/ON" والبدء في استعماله.
في حالة تكرار الخطأ لأكثر من مرة، افحص الجهاز من قبل خدمة العملاء.

الجهاز لا يعمل، المُحرك يُصدر طنين

- تذبذب الجهد بسبب ضعف التيار الكهربائي أو في حالة استخدام وصلة لتمديد الكابلات.
1. عند التشغيل، قم أولاً بضغط الرافعة الخاصة بمسدس الضغط العالي، ثم قم بتشغيل الجهاز "I/ON".

الجهاز لا يعمل بالضغط

- الإمداد بالمياه منخفض للغاية.
1. فتح صنوبر المياه بالكامل.
2. قم بفحص الإمداد بالمياه من حيث وجود كمية الإمداد الكافية.
3. فحص إعدادات أنبوب النقي.
4. تأكد من عدم تخطي ارتفاع الشفط الأقصى.
- المصفاة في وصلة المياه منسخة.
1. سحب المصفاة في وصلة المياه باستخدام زردية.
2. تنظيف المصفاة تحت المياه الجارية.

صورة إيضاحية N

يوجد هواء في الجهاز.

1. قم بتنظيف الجهاز:
a تشغيل الجهاز دون أنبوب نقيّ متصل لمدة دقيقتين بحد أقصى.
b اضغط على مسدس الضغط العالي، وانتظر حتى تخرج منه المياه دون فقاعات.
c توصيل أنبوب النقيّ.

تقلبات شديدة في الضغط

1. تنظيف فوهة الضغط العالي:
a قم بإزالة الترسبات من تقو الفوهة باستخدام إبرة.
b شطف فوهة الضغط العالي بالمياه من الأمام.
2. فحص كمية الإمداد بالمياه.

تصرف وفقاً للتعليمات الواردة في المساعدة في حالة حدوث أعطال.

التشغيل بالضغط العالي

تنبيه

تضرر السطح الحساس أو المظلي

تعرض السطح للضرر بسبب المسافة القليلة لشعاع النفث، أو عن طريق اختبار أنبوب نفث غير مناسب. حافظ على مسافة 30 سم على الأقل في حالة تنظيف الأسطح المظلية.

لا تقم بتنظيف إطارات السيارات، أو الطلاء، أو الأسطح الحساسة مثل الخشب باستخدام ساشي الانساختات.

1. أدخل أنبوب النفث في مسدس الضغط العالي وبتبته من خلال إدارته بزاوية 90°.

صورة إيضاحية K

2. تشغيل الجهاز ("I/ON").

3. فتح رافعة مسدس الضغط العالي.

4. ضغط رافعة مسدس الضغط العالي.

الجهاز يعمل.

التشغيل باستخدام مواد التنظيف

⚠️ خطر

خطر الإصابة بسبب مواد التنظيف

أضرار صحية جسيمة بسبب استخدام المنظفات بشكل غير صحيح. يجب مراعاة ورقة بيانات السلامة الصادرة عن الشركة المصنعة لمواد التنظيف.

ارتد تجهيزات الحماية الشخصية المطلوبة.

إرشاد

مواد تنظيف من KÄRCHER تضمن تنفيذ الأعمال دون اختلالات. يرجى طلب المشورة أو الكتلوج الخاص بنا أو منشورات معلومات مواد التنظيف.

إرشاد

يمكن خلط مواد التنظيف فقط مع درجات الضغط المنخفضة.

1. اسحب خرطوم شغط مواد التنظيف بال طول المرغوب به من المبيت.

2. قم بتعليق خرطوم شغط مواد التنظيف في الخزان المزود بمحلول مواد التنظيف.

3. فصل أنبوب النفث الخاص بمسدس الضغط العالي، وتشغيله فقط مع وجود مسدس الضغط العالي.

أثناء التشغيل يتم خلط محلول مواد التنظيف مع شعاع المياه.

طريقة التنظيف الموصى بها

1. رش المنظف باقتصادية على السطح الجاف وارتكه ليظهر أثره (لا يطف).

2. اشطف الانساختات المحررة بتيار الضغط العالي.

بعد التشغيل مع مواد التنظيف

1. اشطف الجهاز لمدة حوالي 30 ثانية بالمياه النقية.

قطع عملية التشغيل

1. تحرير ذراع مسدس الضغط العالي.

عند تحرير الذراع، يتم غلق الجهاز يتم الحفاظ على الضغط العالي في النظام.

2. قفل ذراع مسدس الضغط العالي.

3. صورة إيضاحية M عند فترات التوقف عن العمل لمدة تزيد عن 5 دقائق اغلق الجهاز "OFF/0".

إنهاء التشغيل

⚠️ تنبيه

خطر الإصابة!

الإصابة بسبب تيار المياه المتدفقة بضغط عالي وبشكل غير متحكم به.

لا تفصل خرطوم الضغط العالي من مسدس الضغط العالي أو من الجهاز إلا في حالة عدم وجود ضغط في النظام.

1. تحرير ذراع مسدس الضغط العالي.

2. أغلق صنوبر المياه.

3. ضغط ذراع مسدس الضغط العالي لمدة 30 ثانية.

يتم تبديد الضغط المتبقي في النظام.

4. تحرير ذراع مسدس الضغط العالي.

5. قفل ذراع مسدس الضغط العالي.

6. أطفئ الجهاز "OFF/0".

7. فصل الجهاز عن مصدر الإمداد بالمياه.

8. سحب قابس الشبكة من المقبس.

النقل

⚠️ تنبيه

خطر وقوع إصابة وضرر بفعل وزن الجهاز

إصابات واضرار.

عليك عند النقل والتخزين مراعاة وزن الجهاز.

سحب الجهاز

1. سحب الجهاز من مقبض النقل.

نقل الجهاز في السيارة

1. تأمين الجهاز ضد الانزلاق، والانقلاب.

التخزين

⚠️ تنبيه

خطر وقوع إصابة وضرر بفعل وزن الجهاز

إصابات واضرار.

عليك عند النقل والتخزين مراعاة وزن الجهاز.

حفظ الجهاز

1. وضع الجهاز على أرضية مستوية.

2. ضغط زر الفصل في مسدس الضغط العالي، وافصل خرطوم الضغط العالي من مسدس الضغط العالي.

3. فصل أنبوب النفث عن مسدس الضغط العالي.

4. تخزين أنبوبي النفث ومسدس الضغط العالي في مواضع التخزين المناسبة.

5. فصل خرطوم الضغط العالي عن الجهاز.

6. قم بتخزين خرطوم الضغط العالي على الجهاز.

7. قم بتخزين كابل توصيل الكهراء بالجهاز.

قبل فترات التخزين الطويلة، يرجى مراعاة الإرشادات الإضافية، انظر فصل العناية والصيانة.

الحماية من التجمد

تنبيه

خطر حدوث أضرار

الأضرار التي تلحق بالمعدات والملحقات الناجمة عن المياه المتجمدة.

أفرغ الجهاز والملحقات بالكامل بعد كل استخدام.

وفر الحماية للجهاز والملحقات من درجات حرارة الأقل من 0 م (32 درجة فهرنهايت) أو التي تساوي هذه القيمة.

1. فصل الجهاز عن مصدر الإمداد بالمياه.

2. فك خرطوم الضغط العالي من الجهاز.

3. تشغيل الجهاز "I/ON".

4. انظر لمدة دقيقة على الأقل لكي لا تخرج أي مياه من وصلة الضغط العالي.

5. أطفئ الجهاز "OFF/0".

6. حفظ الجهاز وملحقاته في غرفة مؤمنة ومحمية من التجمد.

العناية والصيانة

⚠️ خطر

خطر الإصابة بصدمة كهربائية

الإصابة بسبب ملامسة أجزاء موصلة للكهرباء قم بإغلاق الجهاز.

اسحب قابس الشبكة.

الجهاز ليس به أي عيوب، هذا يعني أنه من غير الضروري أن تقوم بأي أعمال صيانة منتظمة.

تنظيف المصفاة في وصلة المياه

تنبيه

خطر حدوث ضرر بسبب تلف المصفاة أو عدم وجودها

أضرار في مضخة الضغط العالي

2. قم بفرد خرطوم الضغط العالي وتفكيك أي عروات أو اتصالات محتتملة.

إرشاد

الجهاز المزود بكرة خرطوم: أثناء التشغيل، يجب فرد خرطوم الضغط العالي بالكامل من بكرة الخرطوم.

3. إدخال خرطوم الضغط العالي في مسدس الضغط العالي حتى يثبت بشكل مسموع.

صورة إيضاحية H

إرشاد

مراعاة الاتجاه السليم للوصلة.

4. إدخال خرطوم الضغط العالي في التوصيل السريع حتى يثبت بشكل مسموع.

صورة إيضاحية I

5. التحقق من التوصيل المضمون عن طريق شد خرطوم الضغط العالي.

6. إدخال قابس الشبكة في المقبس.

الإمداد بالمياه

لمعرفة قيم التوصيل، راجع البيانات الفنية أو لوحة الصنع. يجب مراعاة التشريرات التي ينص عليها مرفق الإمداد بالماء.

تنبيه

خطر حدوث أضرار

تضرر الجهاز وملحقاته في حالة تلوث المياه أو استخدام المياه المالحة.

لا تستخدم سوى المياه النظيفة وليس المياه المالحة.

إرشاد

توصي شركة Kärcher باستخدام فلتر مياه من Kärcher بشكل اختياري.

التوصيل بصنوبر المياه

تنبيه

خطر حدوث ضرر عند استخدام وصلات الخرطوم المصنوعة من النحاس الأصفر مع وظيفة AquaStop من مقدمي الخدمات الخارجيين.

أضرار في مضخة الضغط العالي.

لا تستخدم سوى وصلات الخرطوم مع/دون وظيفة AquaStop من Kärcher، أو وصلات الخراطيم دون وظيفة AquaStop أو وصلات الخراطيم البلاستيكية مع وظيفة AquaStop من موردين خارجيين.

1. إدخال خرطوم الحديقة في التوصيلة الخاصة بوصلة المياه.

صورة إيضاحية J

2. توصيل خرطوم الحديقة بصنوبر المياه.

3. فتح صنوبر المياه بالكامل.

شفط المياه من الخزان المفتوح

هذا المنظف العامل بالضغط العالي مناسب للاستخدام مع خرطوم الشفط من KÄRCHER لامتصاص المياه السطحية، على سبيل المثال من براميل الأمطار، أو البرك، (لمعرفة أقصى ارتفاع للشفط، راجع البيانات الفنية).

1. اربط الوصلة في وصلة المياه.

2. امأ خرطوم الشفط بالمياه.

3. أدر خرطوم الشفط من وصلة المياه الخاصة بالجهاز، وتعليقه بأحد مصادر المياه (مثلاً، لبرميل المطر).

تصريف الهواء من الجهاز

1. تشغيل الجهاز "I/ON".

2. فتح رافعة مسدس الضغط العالي.

3. ضغط رافعة مسدس الضغط العالي.

4. الجهاز يعمل.

5. اترك الجهاز يعمل بحد أقصى لمدة دقيقتين حتى تخرج المياه بدون فقاعات.

6. تحرير ذراع مسدس الضغط العالي.

7. قفل ذراع مسدس الضغط العالي.

التشغيل

تنبيه

خطر حدوث أضرار عند تشغيل المضخات على الجاف

تضرر المضخة

أوقف تشغيل الجهاز إذا لم يتراكم الضغط في غضون دقيقتين.

11. قفل مسدس الضغط العالي

12. خرطوم الضغط العالي

13. أدر مفتاح الجهاز إلى الوضع "I/ON/0" / "OFF"

14. حفظ أنابيب النفث

15. موضع تخزين خرطوم الضغط العالي

16. مقبض النقل

17. موضع تخزين مسدس الضغط العالي

18. قارنة سريعة لوصلة الضغط العالي

19. لوحة الطراز

20. توصيل وصلة المياه

21. **خرطوم حديقة (مقوى بالنسيج، قطره لا يقل عن 1/2 بوصة (13 مم)، بطول 7,5 متر على الأقل، مع قارنة سريعة متوفرة تجارياً)

22. **خرطوم الشفط KÄRCHER لإمداد المياه من الحاويات المفتوحة (طلب رقم 2.643-100)

23. براغي

** ضروري بشكل إضافي

التركيب

لاشكالك، انظر صفحة الصور.

قبل بدء التشغيل يجب تركيب الأجزاء المرفقة بالجهاز. إعداد البراغى المرفقة، والمفك المناسب لذلك.

تركيب مقبض النقل

1. إدخال مقبض النقل.

2. قم بتأمين مقبض النقل بواسطة 3 براغي.

صورة إيضاحية B

تركيب موضع تخزين خرطوم الضغط العالي

1. أدخل موضع تخزين خرطوم الضغط العالي في المبيت الموجود بمنتصف مقبض النقل.

2. يثبت موضع التخزين في مكانه.

صورة إيضاحية C

تركيب موضع تخزين أنابيب الرش

1. أدخل موضع تخزين أنابيب الرش في المبيت الموجود بالجهاز.

2. أحكم مسك موضع التخزين في الموضع النهائي وقم بتأمينه بواسطة برغي.

صورة إيضاحية D

تركيب موضع تخزين مسدس الضغط العالي

1. أدخل موضع تخزين مسدس الضغط العالي في المبيت الموجود بالجهاز.

2. أحكم مسك موضع التخزين في الموضع النهائي وقم بتأمينه بواسطة برغي.

صورة إيضاحية E

تركيب موضع تخزين كابل توصيل الكهرباء

1. أدخل موضع تخزين كابل توصيل الكهرباء من الخارج في المبيت الموجود على مقبض النقل.

2. أحكم مسك موضع التخزين في الموضع النهائي وقم بتأمينه بواسطة برغي.

صورة إيضاحية F

تركيب التوصيلات الخاصة بوصلة المياه

1. ربط التوصيلات الخاصة بوصلات المياه في موضع وصلات المياه بالجهاز.

صورة إيضاحية G

بدء التشغيل

1. وضع الجهاز على ارضية مستوية.

رموز على الجهاز

لا توجه شعاع الضغط العالي على الأشخاص، أو الحيوانات، أو أي معدات كهربائية فعالة أو على الجهاز نفسه.
حماية الجهاز من التجمد.
لا يسمح بتوصيل الجهاز مباشرة بشبكة مياه الشرب العامة.



الاستخدام المطابق للتعليمات

استخدم منظفات الضغط العالي للاستعمال المنزلي فقط.
منظفات الضغط العالي مخصصة لتنظيف المكابن والسيارات والمباني والعدد والواجهات والشرفات ومعدات الحدائق وغيرها وذلك باستخدام الضغط العالي لشعاع المياه.

حماية البيئة

المواد المستخدمة في الغسيل قابلة لإعادة التدوير. يرجى التخلص من مواد الغسيل بطريقة تحافظ على البيئة.
تحتوي الأجهزة الكهربائية والإلكترونية على مواد قيمة قابلة لإعادة التدوير وغالبا ما تحتوي أيضا على مكونات مثل البطاريات، أو المراكمات أو الزيوت والتي قد تشكل خطورة على صحة الإنسان والبيئة في حالة التعامل معها بشكل غير صحيح أو إذا تم التخلص منها بصورة خاطئة. إلا أن هذه المكونات ضرورة لتشغيل الجهاز بصورة سليمة. لا يجوز التخلص من الأجهزة المميزة بهذا الرمز مع النفايات المنزلية.
أعمال التنظيف التي يتكون فيها مياه عادمة تحتوي على زيوت، مثل غسل المحركات، وغسل الهيكل السفلي، لا يسمح بإجرائها إلا في أماكن الغسل المزودة بفاصل للزيت.
لا يسمح بالعمل باستخدام مواد التنظيف إلا في أماكن العمل غير المنفذة للسوائل مع وجود وصلة بقناة المياه المنسخة. لا يسمح بوصول مواد التنظيف إلى المياه أو إلى التربة المسلحة.
استخدام المياه من مجاري المياه العامة غير مسموح به في بعض البلدان.

إرشادات حول مواد المحتويات (REACH)

تجد المعلومات الحالية حول المحتويات على الموقع:
www.kaercher.de/REACH

الملحقات التكميلية وقطع الغيار

استخدام الملحقات التكميلية الاصلية وقطع الغيار الاصلية فقط، والتي تضمن تشغيل الجهاز بشكل آمن وخال من الاختلالات.
تجد المعلومات الخاصة بالملحقات التكميلية وقطع الغيار على الموقع www.kaercher.com.

محتوى التسليم

محتوى تسليم الجهاز مصور على العبوة. تأكد من وجود جميع محتويات العبوة عند فتحها. وفي حالة نقص أية ملحقات تكميلية أو اكتشاف أي تلف بها ناتج عن عملية النقل، يرجى إخطار البائع.

مواصفات الجهاز

الاشكال، انظر صفحة الصور

- 1 عجلة النقل
- 2 وصلة المياه مع مصفاة مُركبة
- 3 خرطوم شفط المنظفات
- 4 وصلة الشبكة مع قابس الشبكة
- 5 تخزين لكابل التوصيل
- 6 أنبوب الرش المزود بناسف الاتساخات لإزالة الاتساخات العنيدة
- 7 أنبوب فولاذي لـ eco!Booster
- 8 مسدس الضغط العالي
- 9 زر التحرير
- 10 ذراع مسدس الضغط العالي

لذلك كابلات التمديد الكهربائية المرخصة والمميزة ومزودة بمقطع عرضي للكابل كافي: 10-1 م: 1,5 مم²، 10-30 م: 2,5 مم²

⚠ **تنويه** • فك كابل التمديد الكهربائي دائما بشكل كامل من بكرة الكابل الكهربائي. يجب عند التوقف عن العمل لفترة استراحة طويلة وبعد الاستخدام إيقاف الجهاز عن طريق المفتاح الرئيسي / مفتاح الجهاز وكذلك فصل القابس الكهربائي أيضا.

التشغيل باستخدام مادة تنظيف

⚠ **تحذير** • يمكن أن يؤدي استعمال مواد التنظيف غير الصحيحة إلى حدوث إصابات خطيرة أو إلى حدوث التسمم.

⚠ **تنويه** • خزن مواد التنظيف بعيدا عن متناول الأطفال.

• استخدم مواد التنظيف الموردة مع الجهاز أو التي تنصح بها الجهة الصانعة فقط. استخدام مواد التنظيف الأخرى أو المواد الكيميائية يمكن أن تضر بسلامة الجهاز.

العناية والصيانة

⚠ **تحذير** • افصل القابس الكهربائي قبل إجراء أي أعمال للصيانة والعناية.

⚠ **تنويه** • عليك إجراء أعمال الإصلاح أو الأعمال الأخرى على القطع الكهربائية من قبل مركز خدمة معتمدة فقط.

⚠ **تنبيه** • لا تستخدم مادة الأستون أو مواد حمضية غير مخففة أو مواد مذيبة لأن هذه المواد ستضر بالمواد المستخدمة في الجهاز.

الشحن

⚠ تنويه

• خطر الحوادث والإصابة. عليك مراعاة وزن الجهاز عند عملية الشحن والتخزين، انظر فصل *البيانات الفنية* في دليل التشغيل.

تعليمات السلامة العامة

⚠ **خطر** • خطر الاختناق. يجب عليك إبعاد أكياس التعبئة والتغليف عن متناول الأطفال.

⚠ **تحذير** • استخدم الجهاز وفقا للغرض المحدد له فقط. عليك مراعاة الظروف المحيطة والانتباه عند استخدام الجهاز إلى الأشخاص الآخرين وخاصة الأطفال منهم. • يسمح للأشخاص الذين لديهم قدرات بدنية أو حسية أو عقلية محدودة أو الذين لا تتوافر لديهم الخبرة والمعرفة الكافية، أن يستخدموا الجهاز بشرط الإشراف عليهم بشكل صحيح، أو إذا تم بعد حصولهم على تعليمات بشأن كيفية الاستخدام الآمن للجهاز من قبل شخص مسؤول عن سلامتهم ومعرفةهم بالمخاطر المرتبطة به. • لا يسمح للأطفال بتشغيل الجهاز. • يجب مراقبة الأطفال للتأكد من عدم لعبهم بالجهاز.

⚠ **تنويه** • تجهيزات السلامة تخدم حمايتك. لا تقم بتغيير أو تجاوز تجهيزات السلامة أبدا.

تجهيزات السلامة

⚠ تحذير

خطر الإصابة!

إصابات خطيرة بسبب فقد تجهيزات السلامة أو تعديلها أو عدم فعاليتها.

لا تتجاوز تجهيزات السلامة أو تزيلها أو تجعلها غير فعالة. تجهيزات السلامة تخدم حمايتك.

مفتاح الجهاز

مفتاح الجهاز يمنع تشغيل الجهاز دون قصد.

قفل مسدس الضغط العالي

القفل يحجب الرافعة، ومسدس الضغط العالي، ويمنع بدء تشغيل الجهاز دون قصد.

وظيفة الإيقاف التلقائي

عند تحرير الرافعة مع مسدس الضغط العالي، يوقف مفتاح الضغط المضخة، ويوقف شعاع الضغط العالي. عند الضغط على الذراع، يتم تشغيل المضخة ثانية.

مفتاح حماية المحرك

في حالة وجود تيار عالي للغاية، يغلق مفتاح حماية المحرك الجهاز.

المحتويات

12	تطبيق KÄRCHER Home & Garden App
12	إرشادات السلامة
13	تجهيزات السلامة
13	رموز على الجهاز
13	الاستخدام المطابق للتعليمات
13	حماية البيئة
13	الملحقات التكميلية وقطع الغيار
13	محتوى التسليم
13	مواصفات الجهاز
14	التركيب
14	بدء التشغيل
14	التشغيل
15	النقل
15	التخزين
15	العناية والصيانة
16	المساعدة في حالة حدوث أعطال
16	الضمان
16	البيانات الفنية

تطبيق KÄRCHER Home & Garden App

- باستخدام تطبيق KÄRCHER Home & Garden، يمكنك الاستفادة من المزايا التالية عند استخدام جهازك:
- ضمان الاستخدام ومعارف الخبراء
- معلومات المنتج ونظرة عامة على الملحقات وتعليمات التشغيل
- وسائل المساعدة والاتصال بالخدمة
- المتجر على الانترنت - عروض حصرية وأكثر من ذلك بكثير
- حمل تطبيق KÄRCHER Home & Garden من متجر التطبيقات الخاص بك وسجل منتجك بسهولة.

إرشادات السلامة

- اقرأ فصل السلامة هذا ودليل التشغيل الأصلي لهذا أيضا قبل استخدام الجهاز لأول مرة. ثم تصرف طبقا لذلك. حافظ على دليل التشغيل الأصلي للاستخدام لاحقا أو تسليمه للمالك التالي.
- عليك إلى جانب الإرشادات الواردة في دليل التشغيل مراعاة القواعد العامة للسلامة والوقاية من الحوادث والتي يحددها المشرع القانوني.
- تشير علامات الإرشاد والتحذير الموجودة على الجهاز إلى الإرشادات الهامة للتشغيل الآمن.

درجات الخطر

⚠️ خطر

- إشارة إلى خطر مباشر وشيك الحدوث وقد يؤدي إلى إصابات جسيمة بالغة أو إلى الوفاة.

⚠️ تحذير

- إشارة إلى موقف قد تحفه المخاطر وقد يؤدي إلى إصابات جسيمة بالغة أو إلى الوفاة.

⚠️ تنويه

- إشارة إلى موقف قد تحفه المخاطر وقد يؤدي إلى إصابات بسيطة.

⚠️ تنبيه

- إشارة إلى موقف قد تحفه المخاطر وقد يؤدي إلى حدوث أضرار مادية.

التشغيل

⚠️ خطر

- لا تقم بشطف مواد مذيبة أو سوائل تحتوي على مواد مذيبة أو مواد حمضية في مخففة أبدا. وهذه تشمل على سبيل المثال البنزين، مواد إضائة للأنوار أو وقود التدفئة. الرذاذ قابل للاشتعال والانفجار وسام. • إطارات السيارات التالفة /صمامات الإطارات تشكل مصدر خطر على الحياة. إطارات السيارات /صمامات الإطارات يمكن أن تتضرر أو تنفجر عن طريق استخدام شعاع الضغط العالي. أول

علامة على ذلك هو تغيير لون الإطار. عليك المحافظة على مسافة 30 سم على الأقل من الشعاع عند تنظيف السيارة عن إطارات السيارة / صمامات الإطارات.

⚠️ تحذير

• لا تستخدم الجهاز بالقرب من تواجد أشخاص آخرين لا يرتدون ملابس واقية مناسبة. • لا توجه شعاع الضغط العالي على نفسك أو على الجهاز نفسه. • لا تقم برش أي أشياء تحتوي على مواد ضارة بالصحة (الأسيتون مثلا). • تأكد قبل كل استخدام من أن الجهاز وملحقاته في حالة سليمة وأمنة للتشغيل مثلا خرطوم الضغط العالي، مسدس الضغط العالي وتجهيزات السلامة أيضا. لا تستخدم الجهاز عند وجود تلف فيه. قم بتغيير الأجزاء التالفة فوراً. • استخدم خراطيم الضغط العالي والتجهيزات والقاربات التي تتصح بها الجهة الصانعة. • خطر الاحتراق. عند فصل مدخل الخرطوم أو خرطوم الضغط العالي يمكن أن يخرج ماء ساخن من الوصلات بعد التشغيل.

⚠️ تنويه

• لا تستخدم الجهاز أبدا بدون قاطع للنظام بشبكة مياه الشرب وفقا للوائح السارية. تأكد من أن وصلة الشبكة المائية بمنزلك التي تم توصيلها بجهاز التنظيف بالضغط العالي مزودة بفاصل للنظام وفقا لمعيار EN 12729 Typ BA. • الماء التي تمر عن طريق فاصل النظام لا تصلح بعد ذلك للشرب. • لا تترك الجهاز دون مراقبة أبدا طالما يكون مشغلا. • يتم عن طريق المياه الخارجة من فوهة الضغط العالي توليد قوة ارتدادية بمسدس الضغط العالي. قم بتأمين مكان وقوفك بشكل آمن وامسك مسدس الضغط العالي وأنبوب الشعاع بشكل ثابت. • حوادث وإضرار ناجمة عن سقوط الجهاز. يجب عليك ضمان السلامة قبل إجراء أي عمل على الجهاز أو قبل استخدام الجهاز.

⚠️ تنبيه

• لا تستخدم الجهاز عندما تكون درجات الحرارة تحت 0^o مئوية.

معدات الحماية الشخصية

⚠️ تنويه

• ارتدي ملابس واقية مناسبة ونظارة واقية لحماية نفسك من رذاذ الماء والأوساخ المتطايرة. • يمكن أن ينشأ هباء جوي/أبروسول أثناء استعمال جهاز التنظيف بالضغط العالي. يمكن أن يؤدي استنشاق الهباء الجوي إلى حدوث أضرار صحية. اعتمادا على نوع الاستخدام، يمكن أن يساعد استعمال فوّهات محمية بالكامل (منظف سطحي مثلا) في تقليل انبعاث الهباء الجوي بشكل كبير. ارتدي تبعا للمكان المراد تنظيفه، قناع واقٍ للتنفس من فئة FFP 2 أو ما يعادلها لحماية نفسك من استنشاق الهباء الجوي عندما يكون استخدام فوهة محمية بالكامل غير ممكنا.

خطر الصعق الكهربائي

⚠️ خطر

• قم بتوصيل أجهزة فئة الحماية ا بمصادر التيار الكهربائي المأرضة بشكل سليم فقط. • قم بتوصيل الجهاز بتيار متردد فقط. يجب أن يتوافق الجهد الموجود على لوحة الطراز مع جهد مصدر التيار. • استخدم الجهاز عن طريق قاطع الدائرة الكهربائية فقط (30 مللي أمبير حد أقصى). • لا تلمس القابض الكهربائي والمقبس بأيدي مبللة بالماء نهائياً. • يجب أن يكون القابض الكهربائي وقاية كابل التمديد الكهربائي مقاومة ضد الماء ولا يسمح بوضعها في الماء. لا يسمح بوضع القارنات على الأرض. استخدم بكرات الكابيل الكهربائي التي تتضمن تواجد القوابض الكهربائية بقدر 60 مم فوق الأرض على الأقل. • يجب أن تكون جميع الأجزاء الموصلة للتيار الكهربائي في مكان العمل محمية من أشعة الماء.

⚠️ تحذير

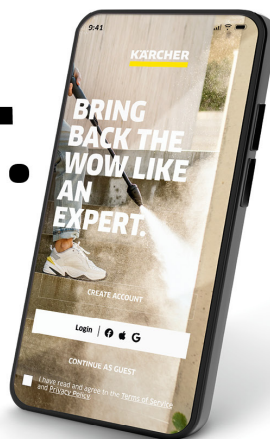
• قم بتوصيل الجهاز بوصلة كهربائية يكون تم شرائها من متجر متخصص ببيع الأجهزة الكهربائية وفقا لمعيار IEC 60364-1. • تأكد قبل كل استخدام للجهاز من عدم وجود تلف في كابل التيار الكهربائي والقابض. عند تعرض كابل التيار الكهربائي للتلف، يجب استبداله على الفور عن طريق الشركة المصنعة، أو مركز خدمة العملاء المعتمد، أو كهربائي متخصص، وذلك لتجنب أي مخاطر. • لا تقم بالحاق أجهزة أو إناث كابل التوصيل الكهربائي وكابيل التمديد الكهربائي عن طريق الدهس، سحق، الشد أو فعل شيء به من هذا القبيل. قم بحماية كابل التوصيل الكهربائي من الحرارة، الزيت والحواف الحادة. • كابلات التمديد الكهربائية غير المناسبة يمكن أن تكون مصدر للخطر. استخدم في الهواء الطلق

REGISTER TO BENEFIT.



Scan QR Code for download and easy product registration in Home & Garden App or website.

karcher.com/register



DE – Laden Sie die Home & Garden App herunter, um Ihr Gerät zu registrieren und volle Unterstützung bei der Reinigung zu erhalten.

- Steuerung von smarten Produkten
- Anwendungstipps & Expertenwissen
- Produktinformationen, Zubehör-Übersicht und Betriebsanleitungen
- Hilfestellungen und Service-Kontakt
- Onlineshop, exklusive Angebote und vieles mehr

EN – Download the Home & Garden App to register your device for full support in cleaning.

- Control of smart products
- Application tips & expert knowledge
- Product information, overview of accessories and operating instructions
- Support and service contact
- Online shop – exclusive offers and much more

FR – Téléchargez l'application Home & Garden pour enregistrer votre appareil et bénéficier d'une assistance complète en matière de nettoyage.

- Contrôle des produits intelligents
- Conseils d'utilisation & expertise
- Informations sur les produits, présentation des accessoires et manuels d'utilisation
- Aide et contact de service
- Boutique en ligne – offres exclusives et bien plus encore

ES – Descarga la aplicación Home & Garden para registrar tu equipo y disfrutar de todas las ventajas de la limpieza.

- Control de productos inteligentes
- Consejos de aplicación y conocimientos de expertos
- Información sobre el producto, resumen de accesorios y manual de instrucciones
- Asistencia y contacto para el servicio
- Tienda en línea: ofertas exclusivas y mucho más

karcher.com/dealersearch

Alfred Kärcher SE & Co. KG
Alfred-Kärcher-Str. 28-40
71364 Winnenden (Germany)

2-2-SC-A5-GS-AW02707