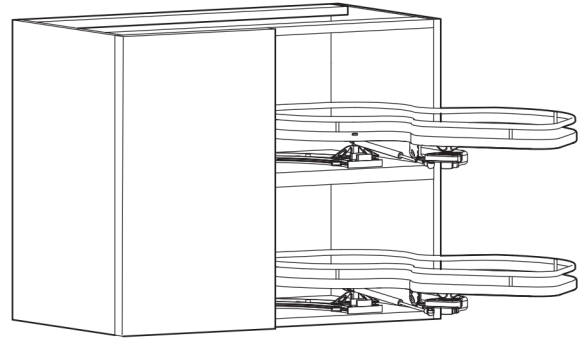


## PRODUCT FITTING INSTRUCTIONS

### Corner Pull-out shelving set

549.42.340 / 549.42.341 / 549.42.345  
 549.42.346 / 549.42.350 / 549.42.351  
 549.42.360 / 549.42.361

- > Set consists of:
  - 2 x Shelf
  - 2 x Plastic track
  - 2 x mechanism
  - 1 x Drilling jig
  - 2 x Mechanism sleeve
  - 2 x Stopper
  - 2 x Pivoting guide
  - 10 x Cover cap
  - 1 x Drilling template

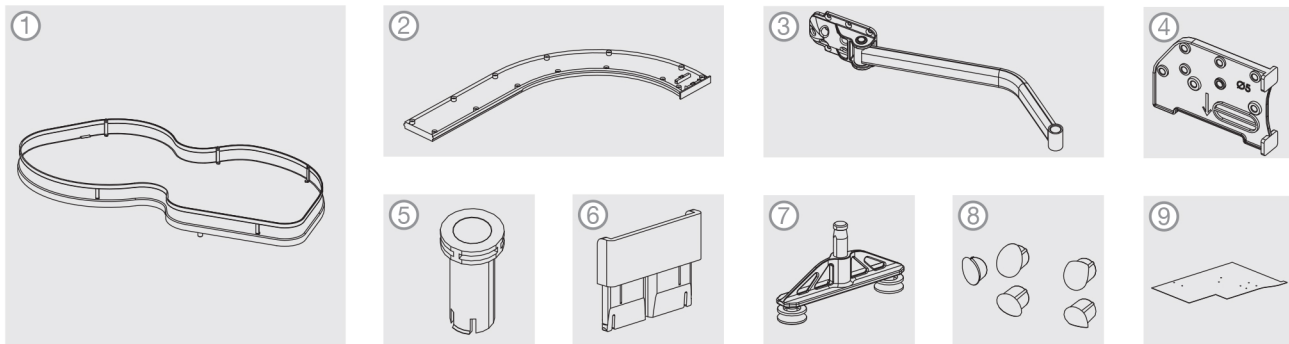


FITT\_Ref: 10408 Issue-1

### Before you start

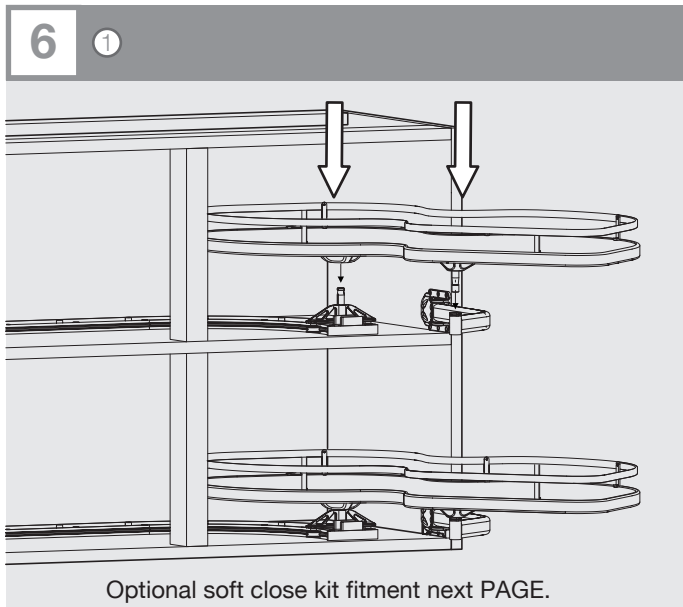
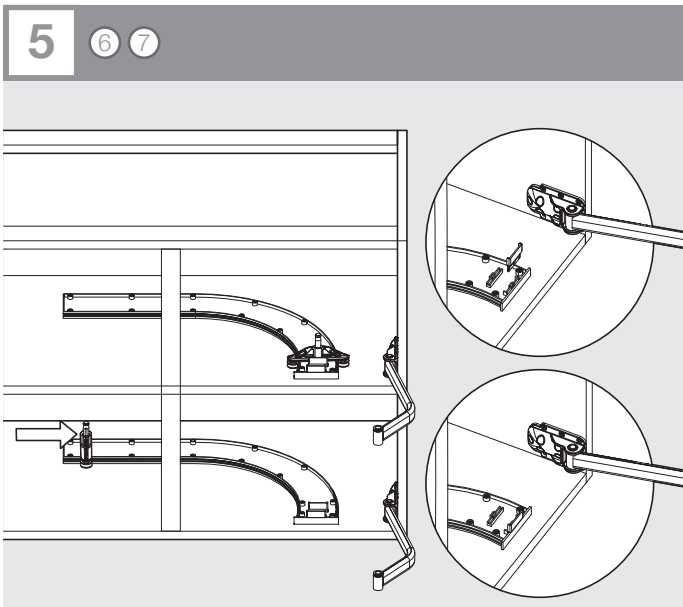
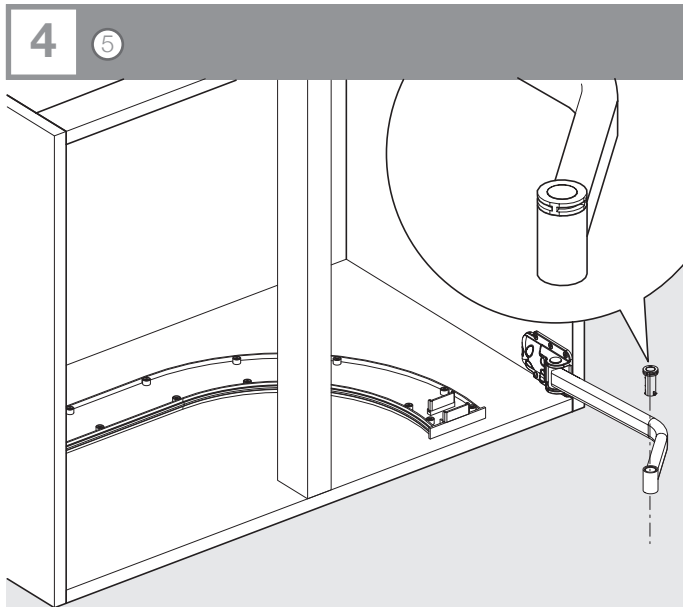
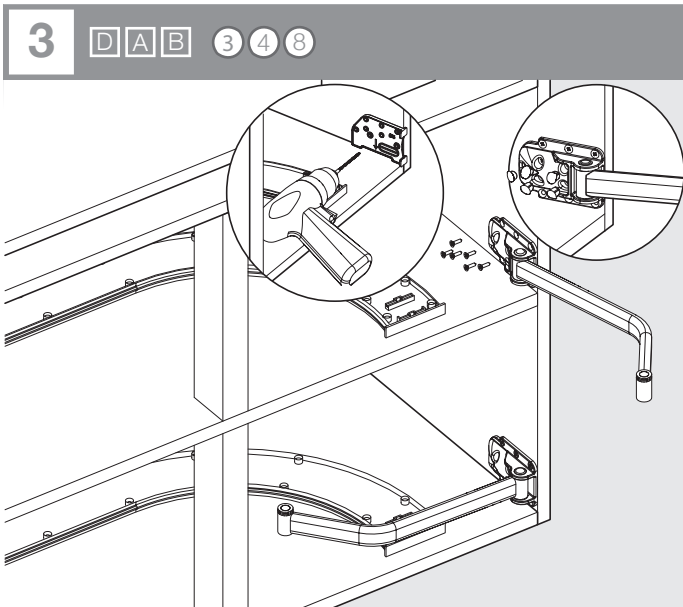
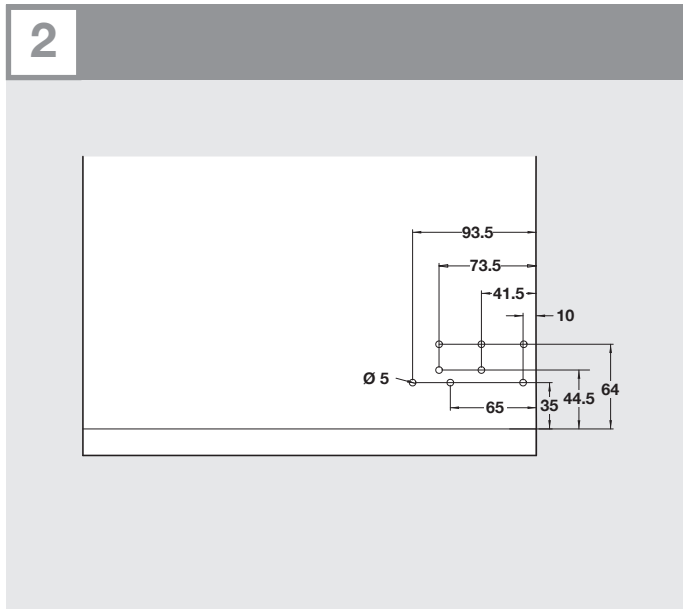
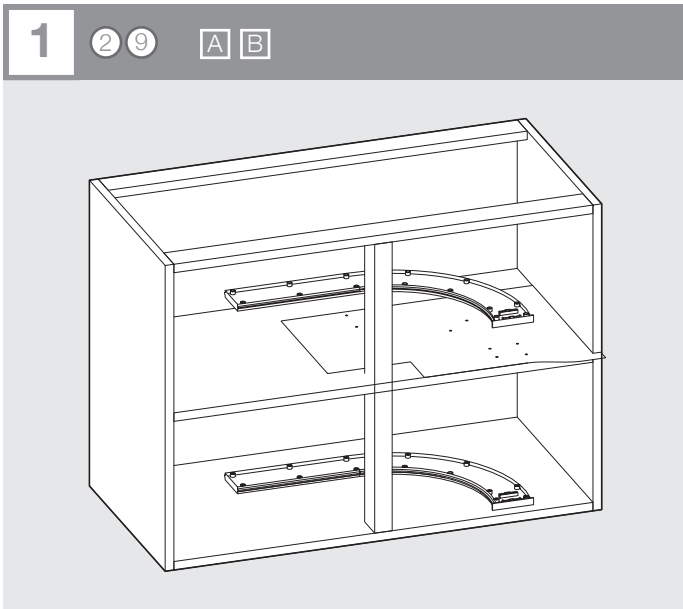
- > Unpack all items and check you have everything noted below - if you are missing something, please call 0800 1712908.
- > Make sure that you have all additional requirements as noted below, and a clean, dry area for building.
- > Assembly should be done in the stages shown.

### Included in this pack

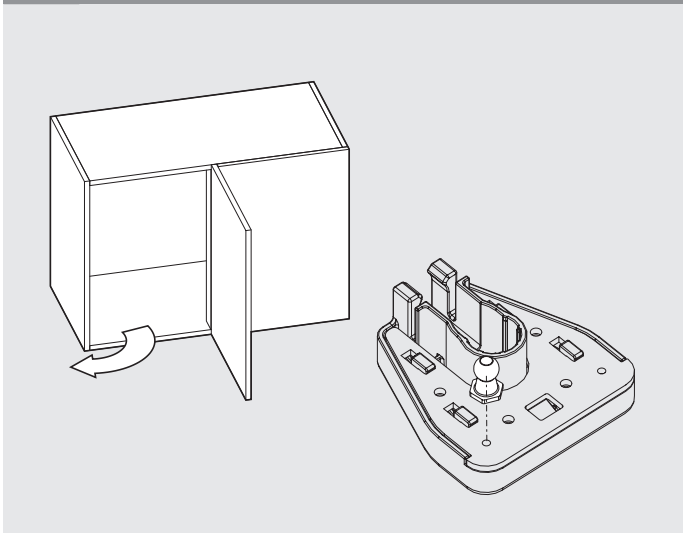


### Additional requirements

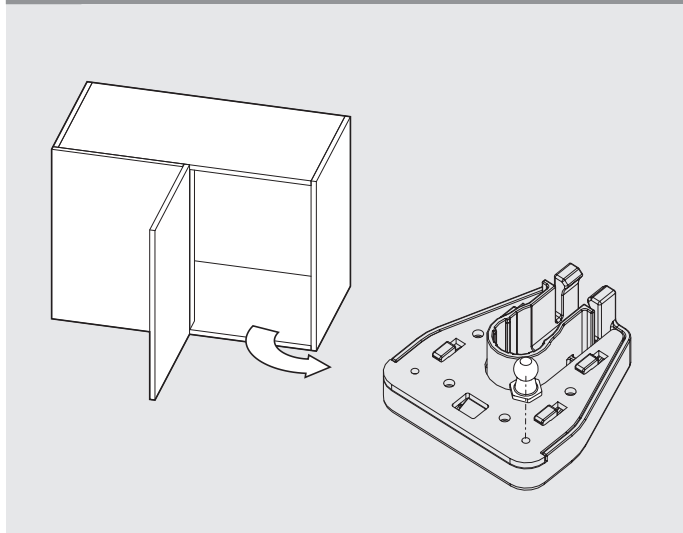




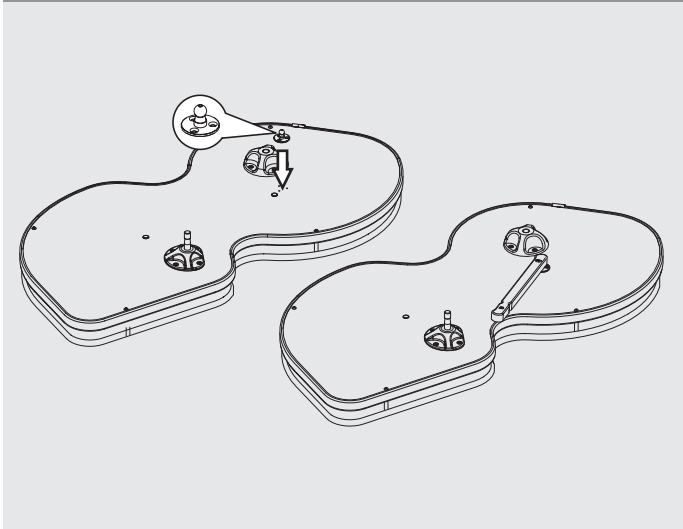
**1** OPTIONAL SOFT CLOSE LH



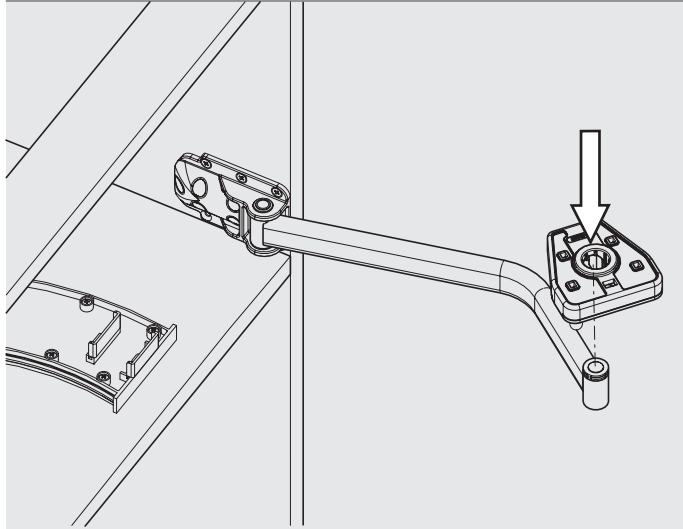
**2** RH



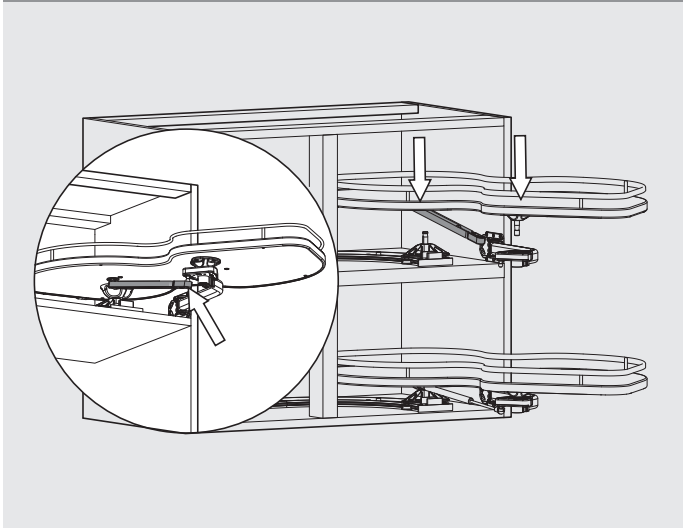
**3**



**4**



**5**



**6**

