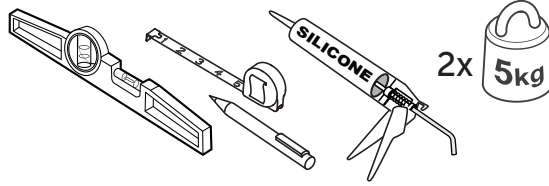


ULTRA FLAT NEW

Acrylic shower tray installation sheet

Shower tray



2x 5kg

 UK only



GB INSTALLATION MANUAL (Section for the installing technician)

- The appliance must be installed by qualified personnel.
 - Following the installation instruction for the additional components is mandatory.
 - Verify that there are no leaks from the waste system close to the drain area
- Caution: Care should be taken when drilling into walls or floors to avoid hidden pipes or electrical cables.

- During installation protect visible surfaces from impact damage or abrasions.
- Unpack and check for any damage. Do not install if not satisfied and contact your supplier.
- When considering your installation method, you should be able to attach or repair your waste or waste outlet in situ.
- * Installation variables available based on country of sale.
- ** Not provided

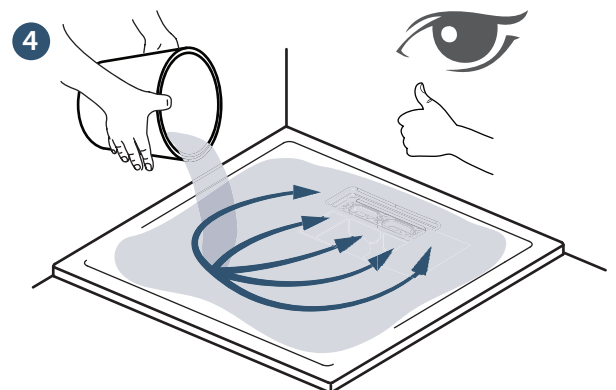
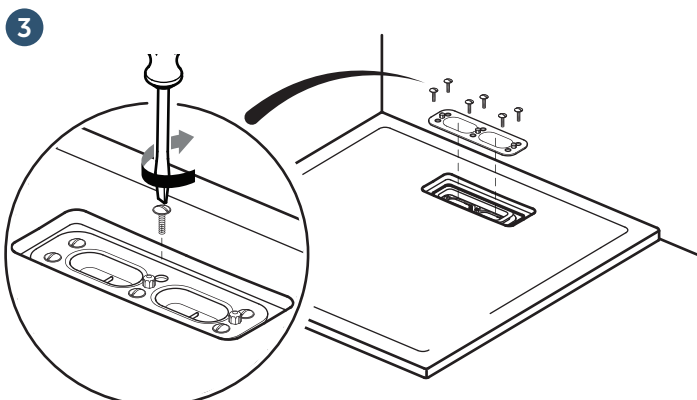
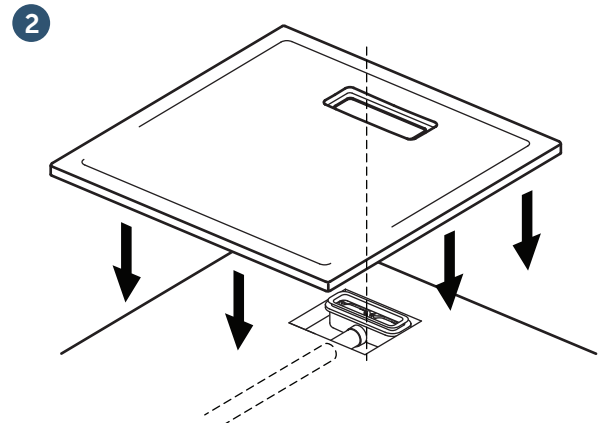
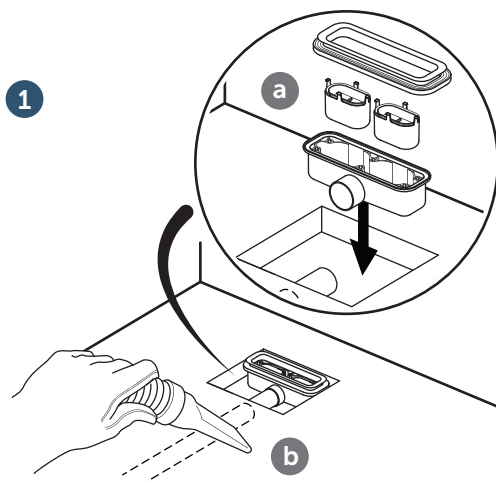
A Floor installation

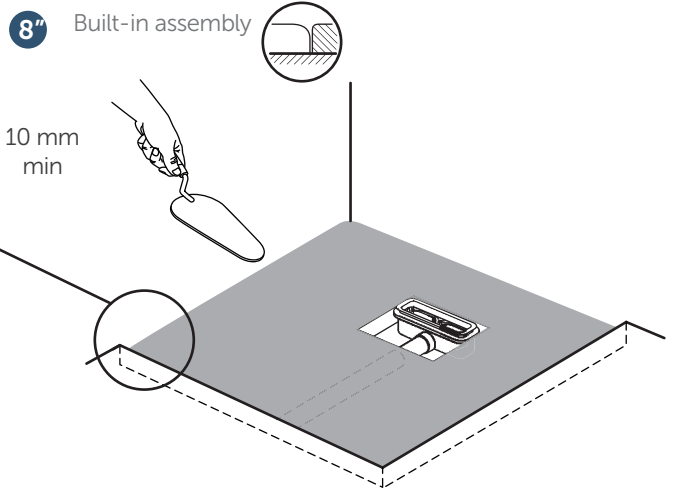
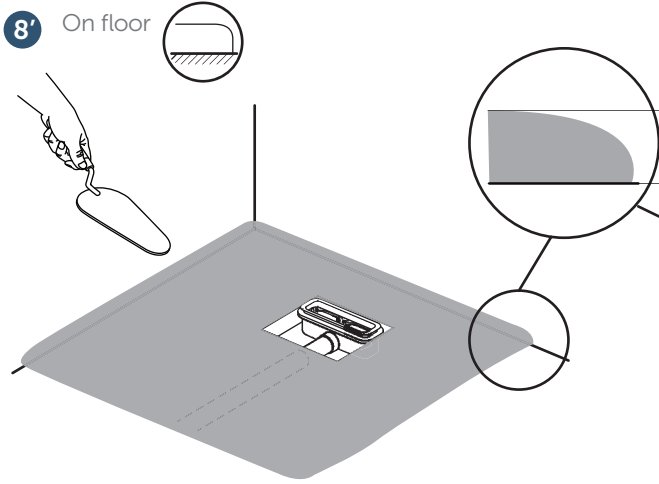
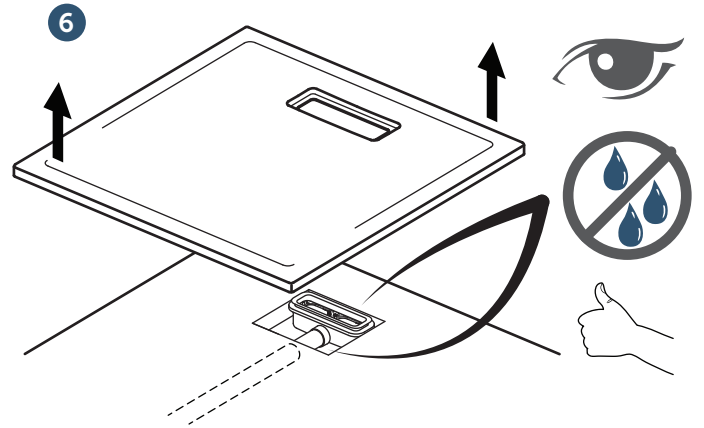
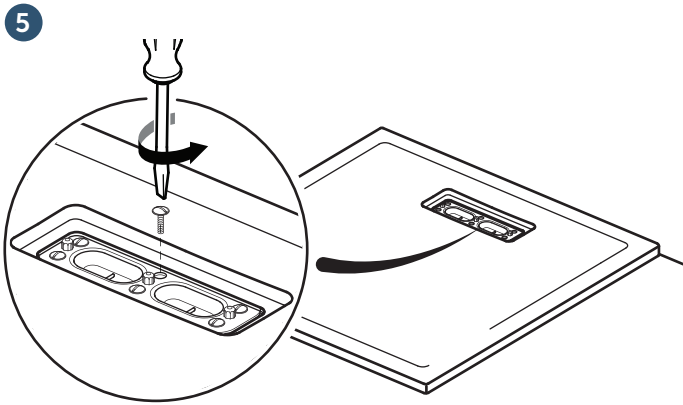


Waste options:
E2331AA - Chrome cover waste with white trap
E2331V3 - Matt black cover waste with dark trap

Additional cover options:
T4663AA - Chrome T466301 - White
T4663V1 - Matt white T4663V3 - Matt black

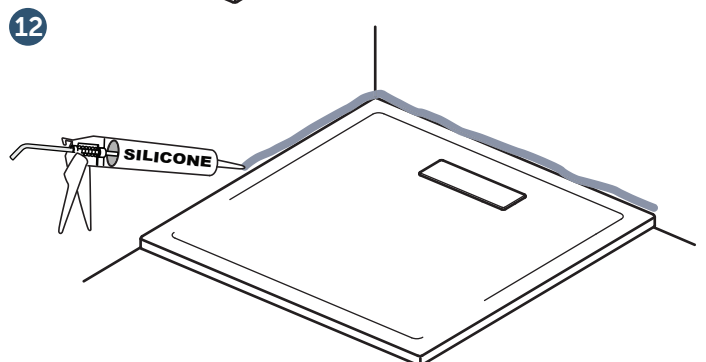
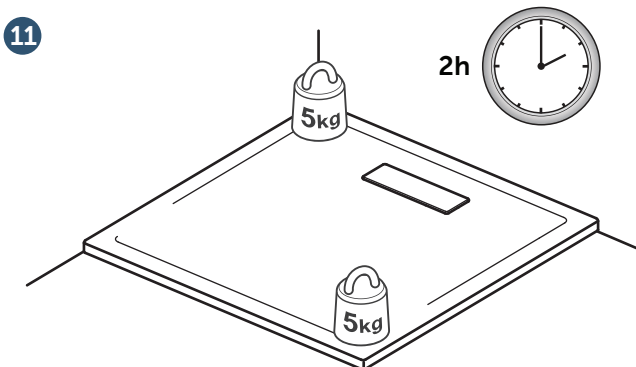
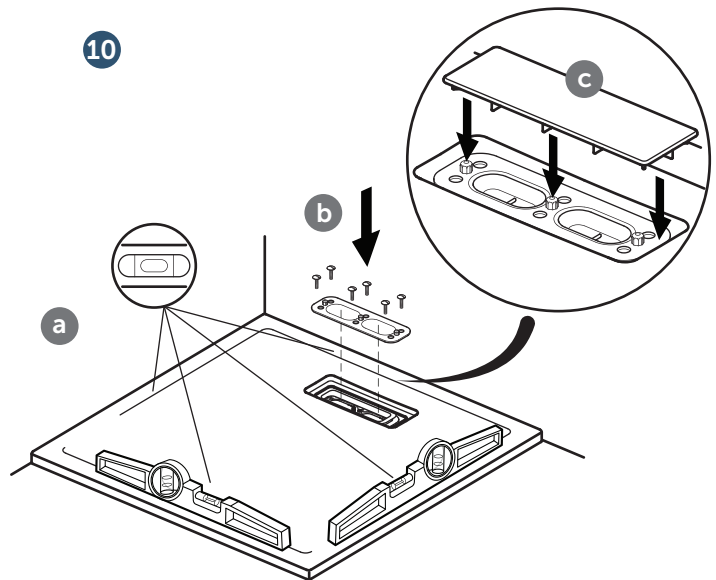
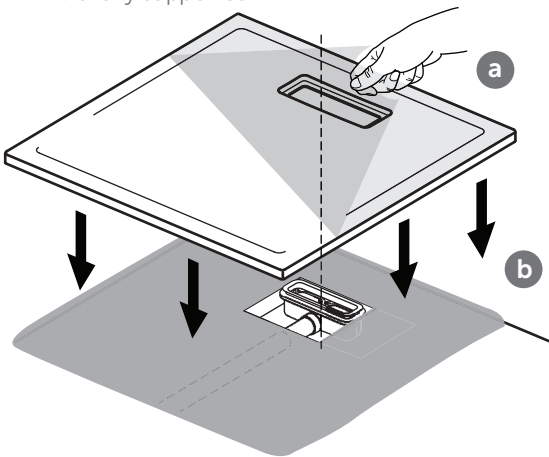
**





Mix the Solvent Free, Cement Based Flexible Tile Adhesive in accordance to the manufacturers instructions to a workable mix to cover the total area under the tray. Trowel to a thickness suitable to allow levelling and support of the shower tray.

9 Remove protective film, undertake a final inspection of the tray at this stage. Bed the tray onto the mix, ensuring it is fully supported.





GB No complaints for visual defects will be accepted after installation. The manufacturer does not provide any guarantee for improper or unsuitable use of the products supplied and therefore cannot be held responsible for any reason or for any damages.