

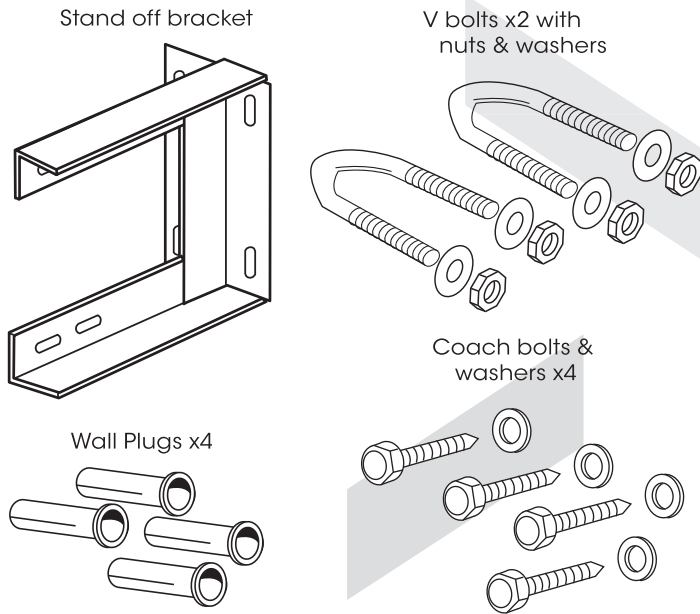


# Aerial Mast Wall Fixing Kit - 9" Stand off

29908QR  
User Guide

Stand off brackets are designed to securely fix aerial masts to a side wall or gable end. Single brackets are suitable for masts from 25mm (1") to 40mm (1 1/2") diameter and up to 3000mm (10') high. Giving a stand off of 228mm/9". For longer masts including those holding large or multiple aerials and satellite dishes, two stand off brackets mounted at least 450mm/18" apart should be used (or alternatively use T & K brackets).

## Kit Contents



## Safety Warnings

We recommend that all aerials and fixings are installed in accordance with the latest CAI code of practice - [www.cai.org.uk/](http://www.cai.org.uk/)

If in doubt consult a professional aerial installer.

Some of the components in this kit may have sharp edges and it is advised that gloves are worn during installation.

### **You can reduce the risk of accidents by forward planning.**

Before starting installation make sure that the surfaces/structures to which the bracket is to be attached are in a good state of repair and check for hidden electrical wiring or plumbing.

When working on an installation outside, beware of overhead power lines.

If working in a loft or roof space tread carefully and ensure adequate lighting is available.

Before making any connections switch electricity off at the mains.

Always follow manufacturer's operating and safety instructions before using tools and/or equipment.

Ladder Safety-always read and follow the manufacturer's instruction label affixed to the ladder.

To avoid injury always route cables or wiring carefully and ensure cable is correctly routed before fixing into position, taking care not to over tighten cable clips.

This product may contain small parts-keep out of reach of children.

After installation make regular maintenance checks for wear and tear.

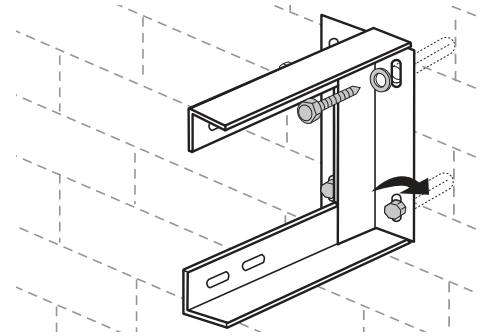
## Installation

Mark positions for holes using bracket as template. Insure holes are positioned on brickwork not in mortar courses .

Drill holes and insert wall plugs.

Fix wall fixing bracket to wall using washers and coach bolts provided, see Fig1.

Fig 1.



Fix the aerial mast to the wall fixing bracket using the 'V' bolts and nuts, see Fig 2 and Fig 3 below. Tighten firmly to secure.

Fig 2.

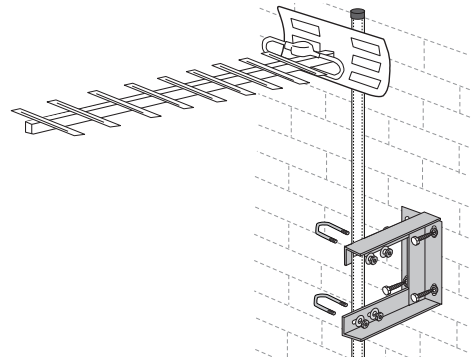
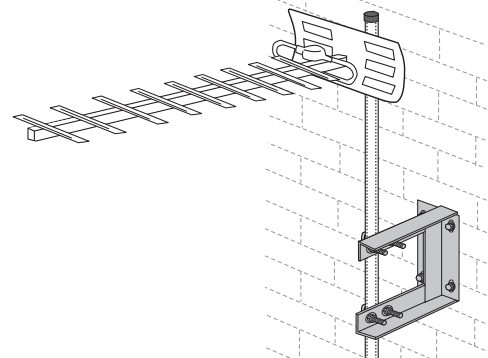


Fig 3.



For further information or any queries please contact  
Customer Careline: **08457 573 479 (Local rate - UK only)**  
Technical Support: [www.philex.com/support](http://www.philex.com/support)



UK Distributor  
Philex Electronic Ltd.  
Kingfisher Wharf, London Road,  
Bedford MK42 0NX,  
United Kingdom.