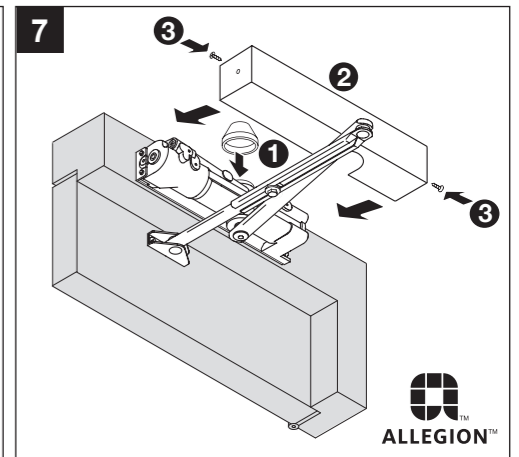
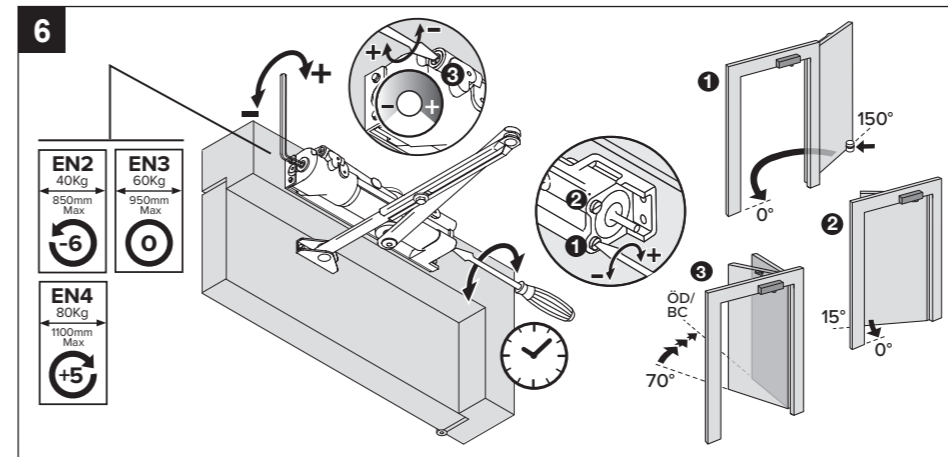
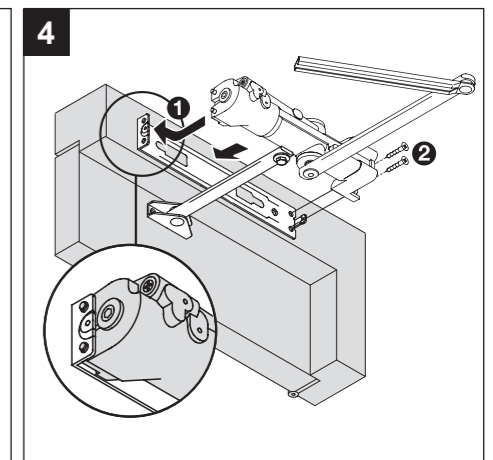
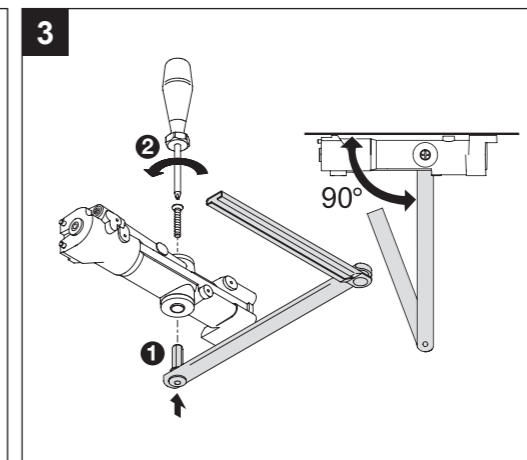
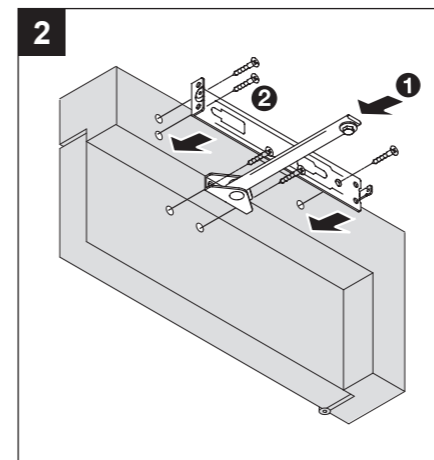
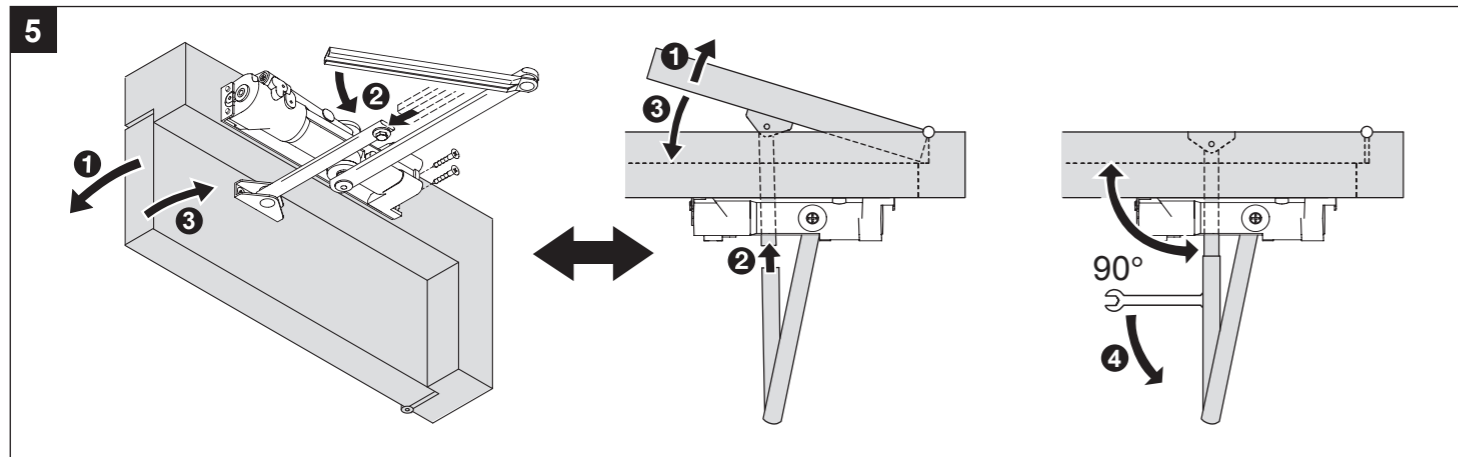
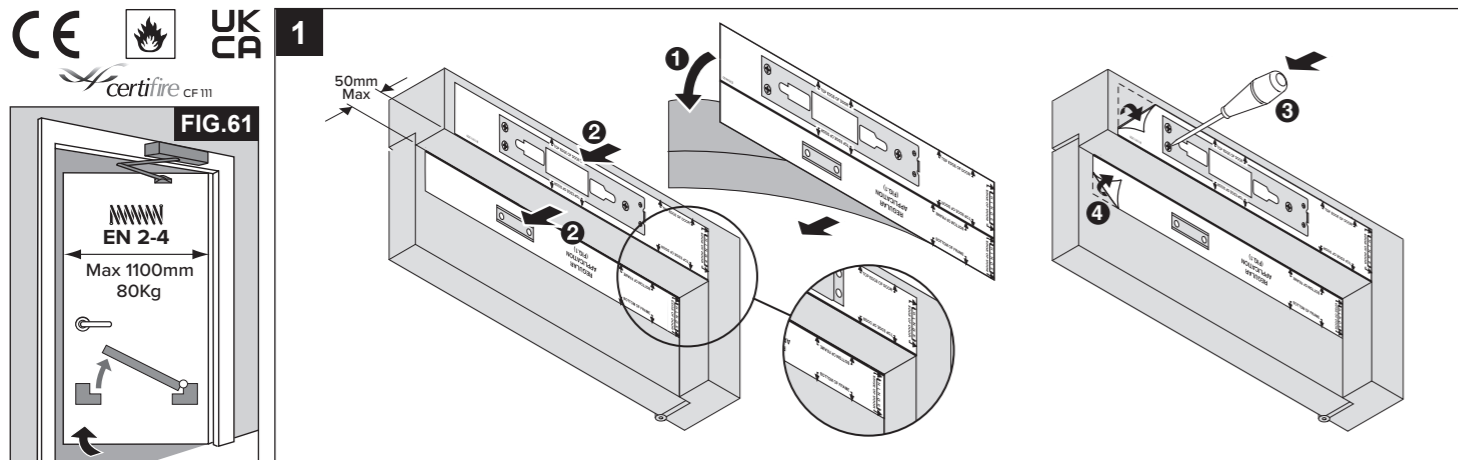
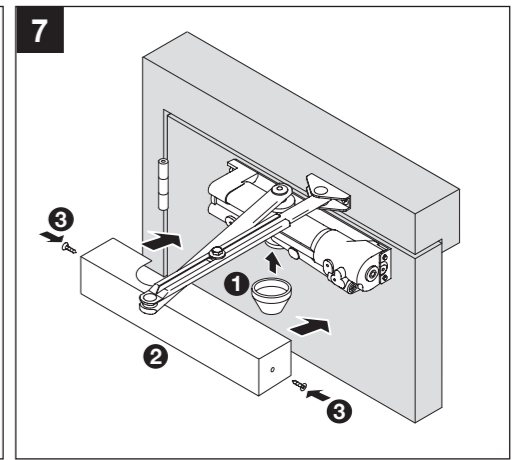
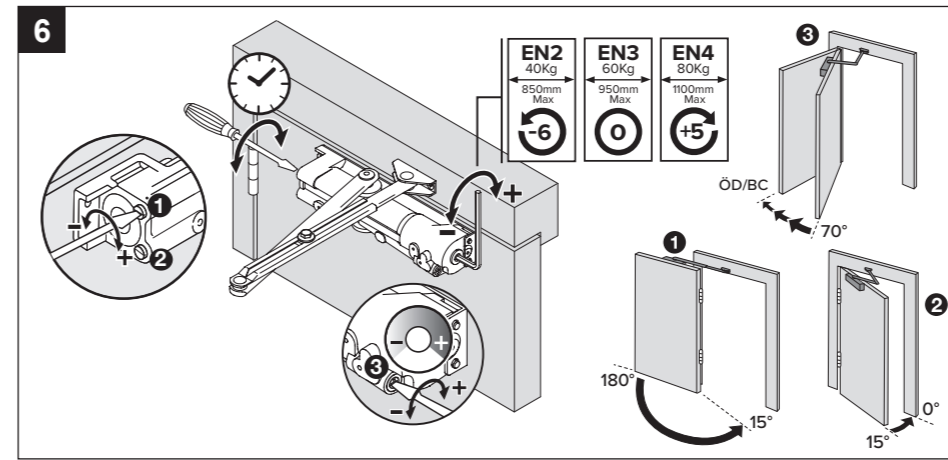
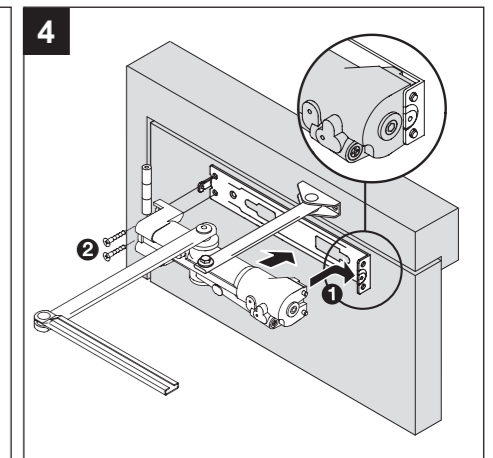
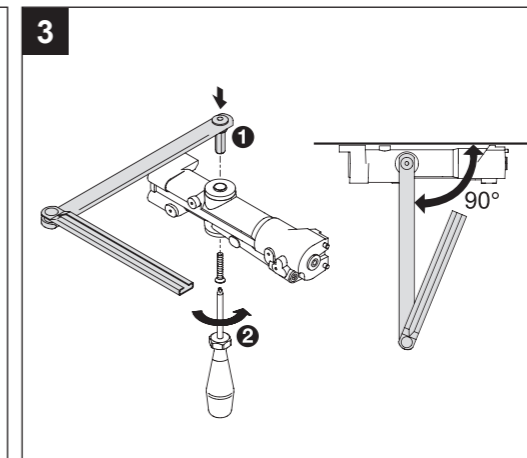
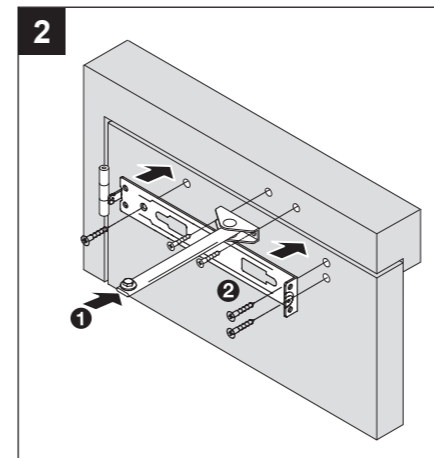
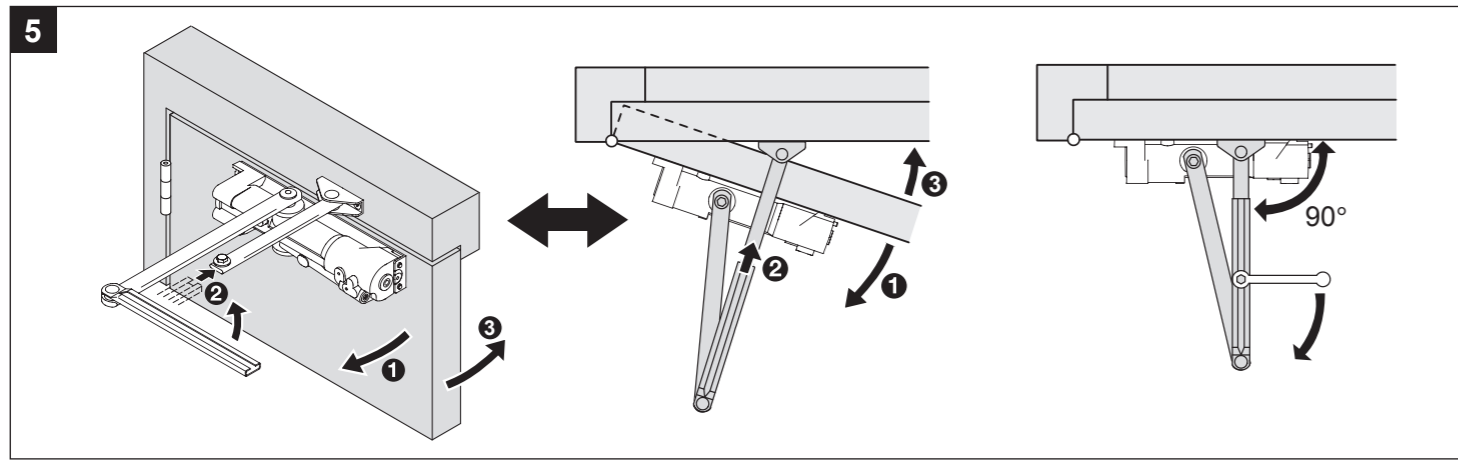
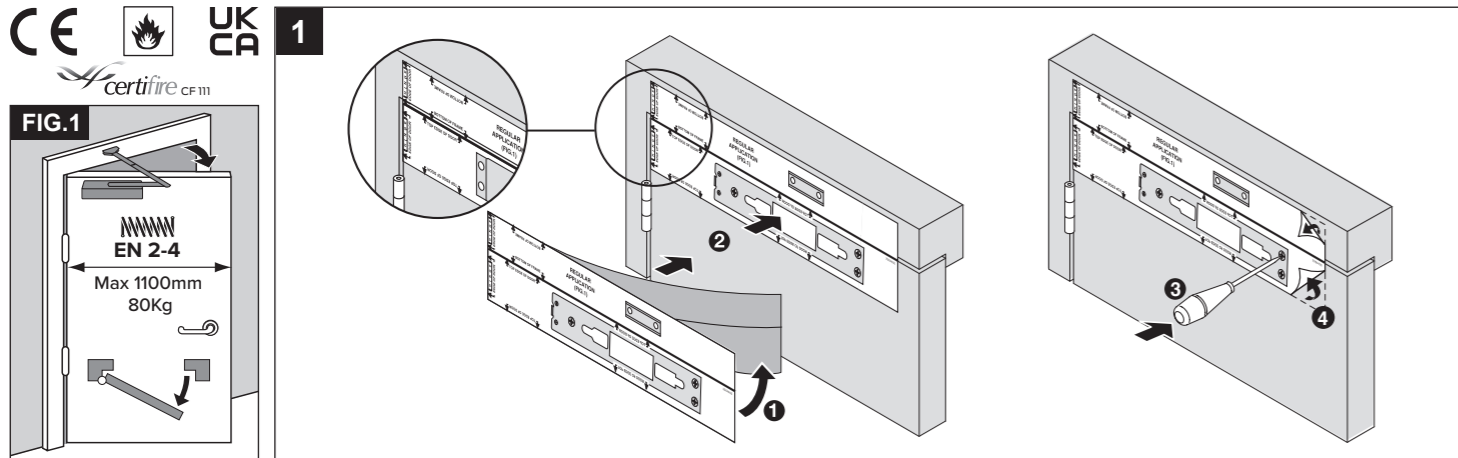


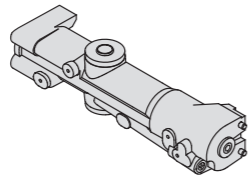
CE	Allegion (UK) Limited 35 Rocky Lane, Aston, Birmingham, B6 5RQ, UK
	2812-CPR-AD0168 2005
EN1154-1996+A1:2002	4 8 2/4 11 3
Dangerous Substances: None	
UK CA	1121-CPR-UK- AD7600
	2021

23/472/00
REVISION A

months
mois
mesi
meses
maanden
by

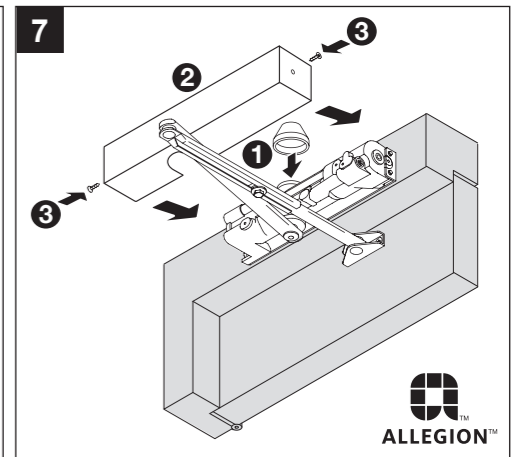
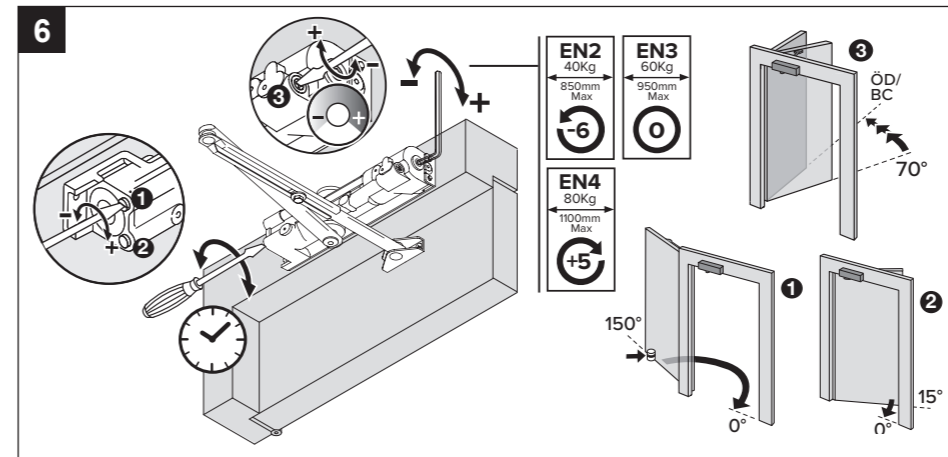
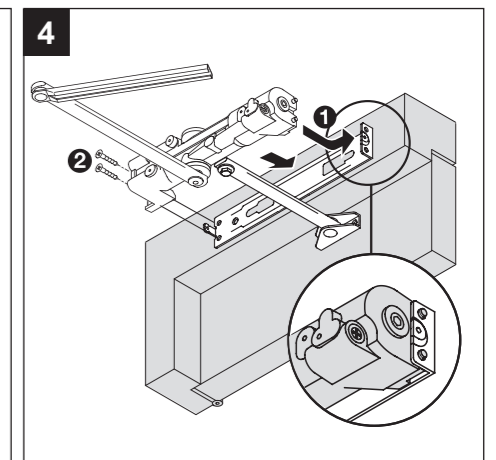
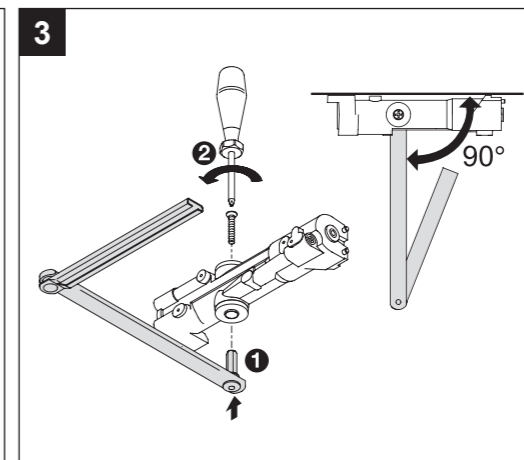
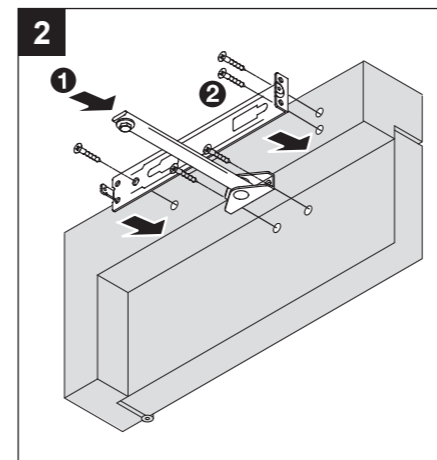
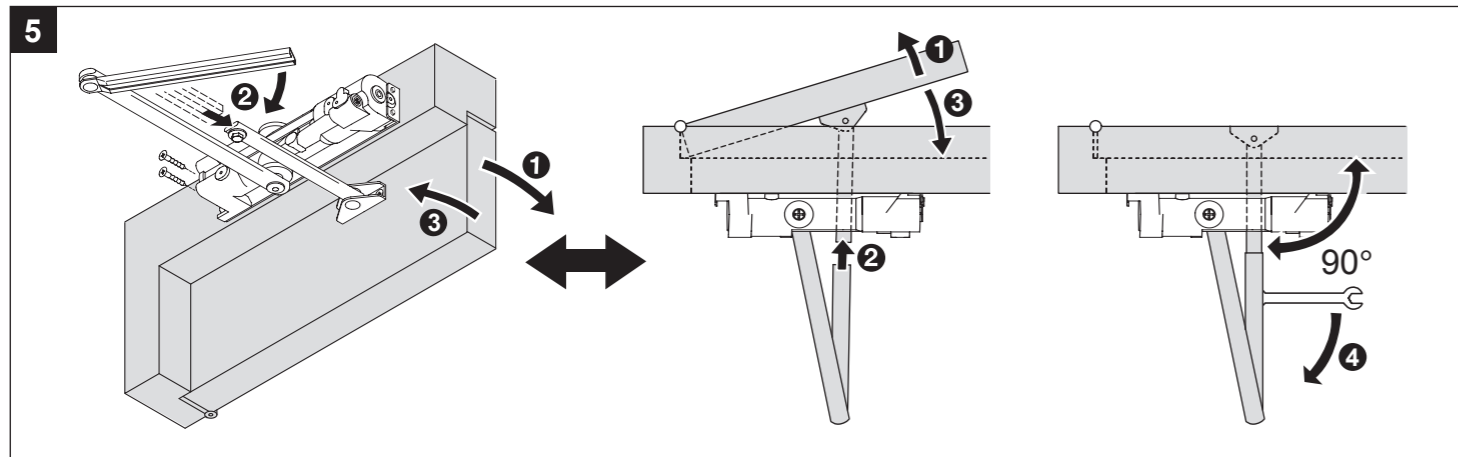
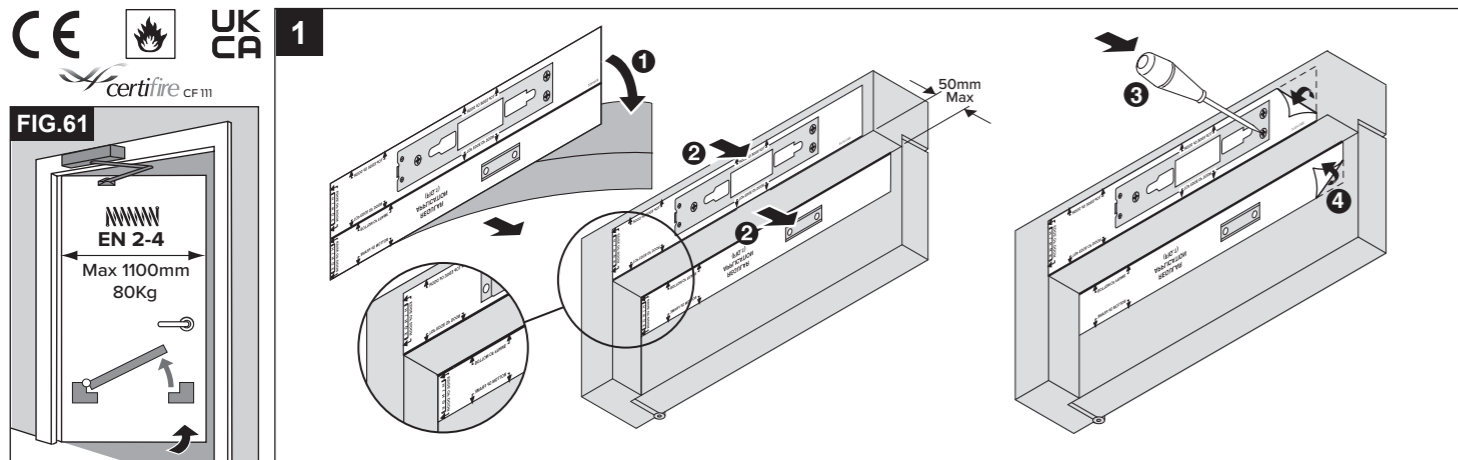
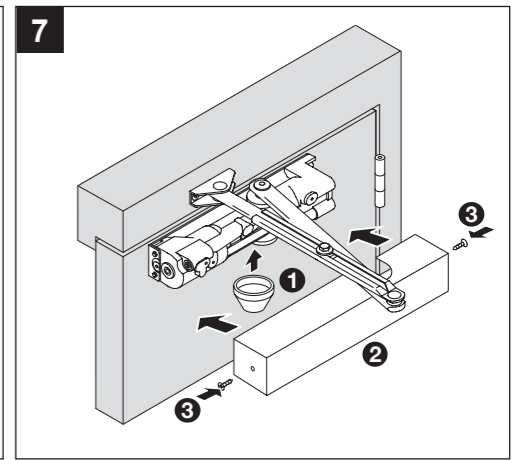
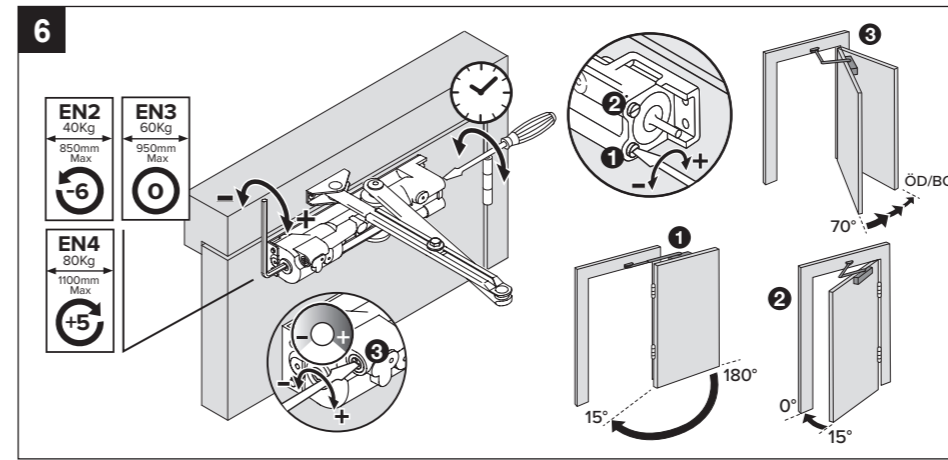
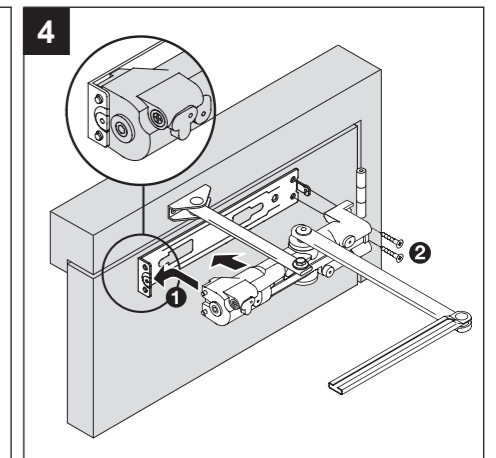
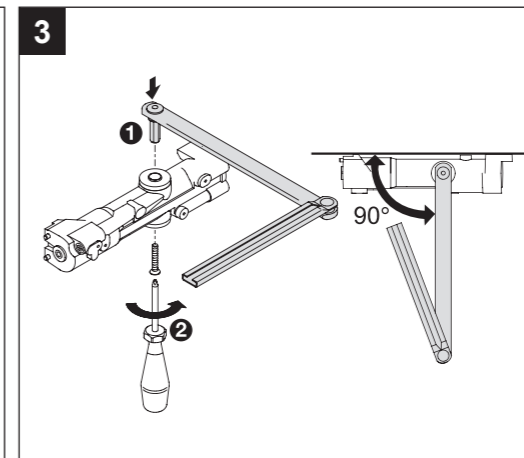
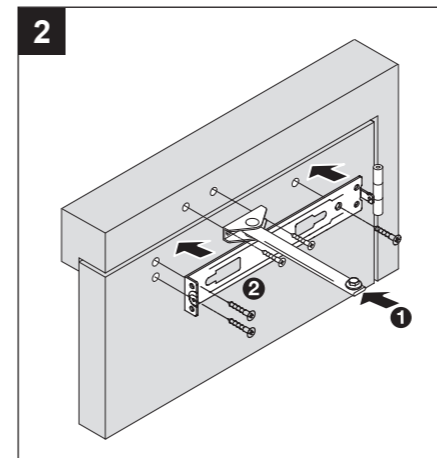
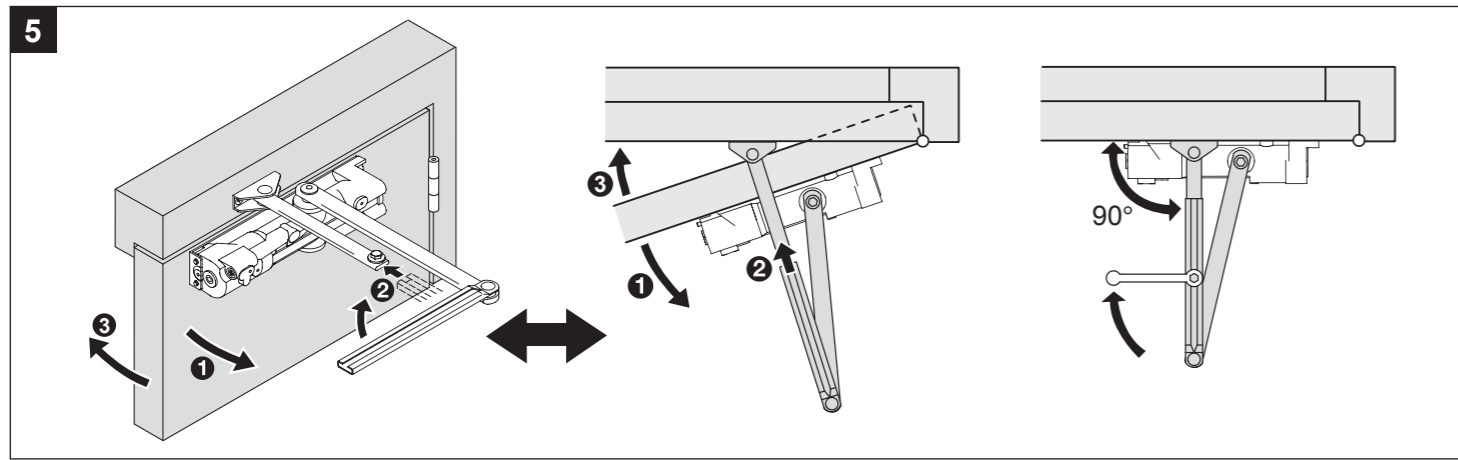
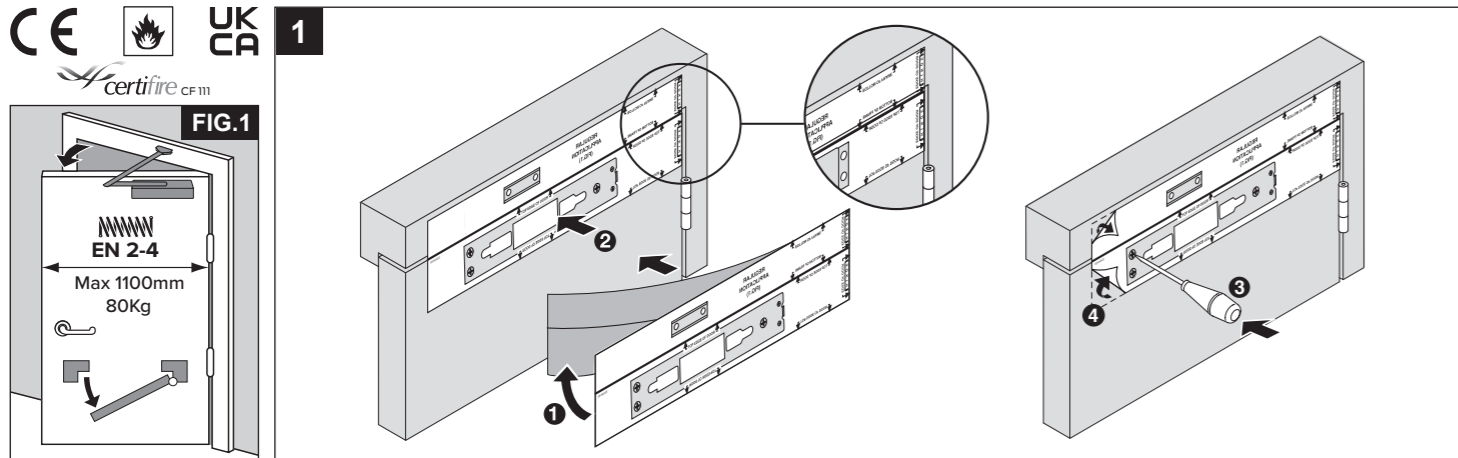
3





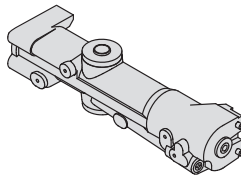
CE	Allegion (UK) Limited 35 Rocky Lane, Aston, Birmingham, B6 5RQ, UK
2812-CPR-AD0168	2005
EN1154-1996+A1:2002	4 8 2/4 11 3
Dangerous Substances: None	
UK CA	1121-CPR-UK-AD7600
	2021

3 months
mois
mesi
meses
maanden
by



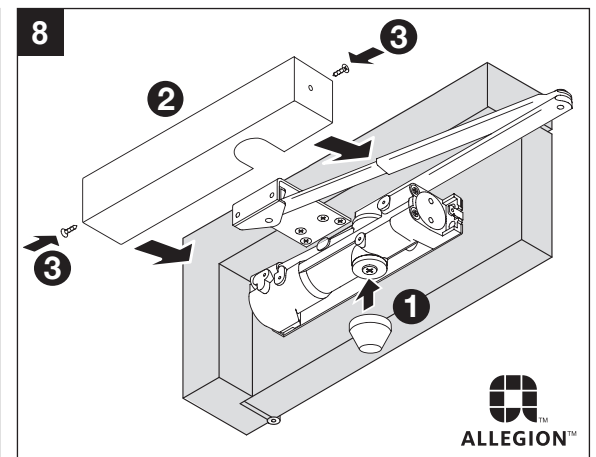
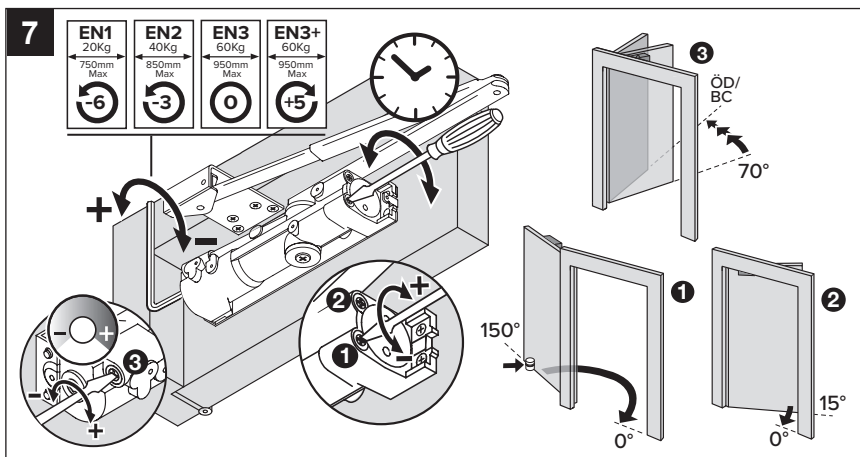
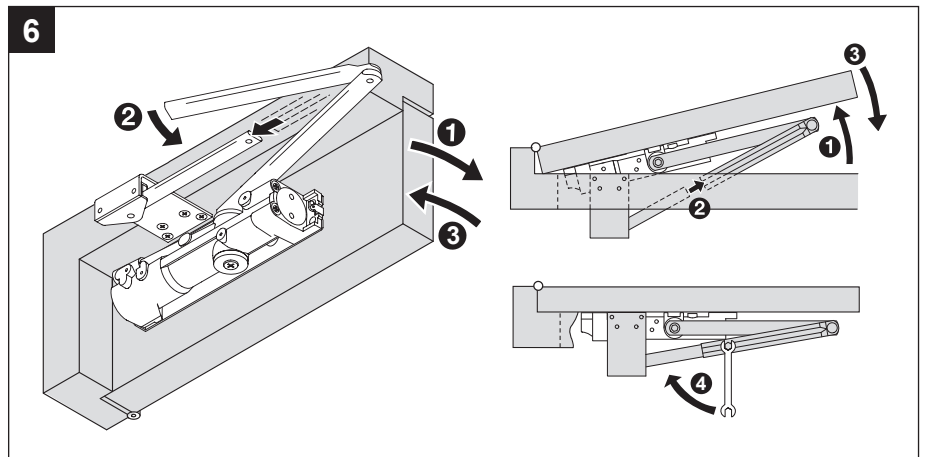
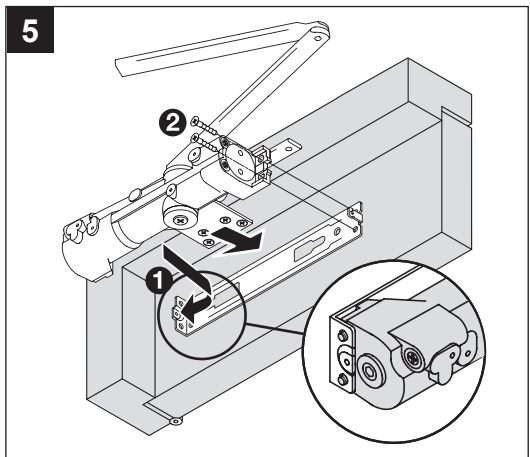
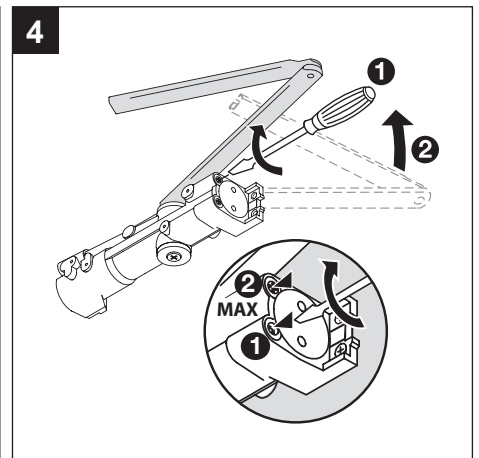
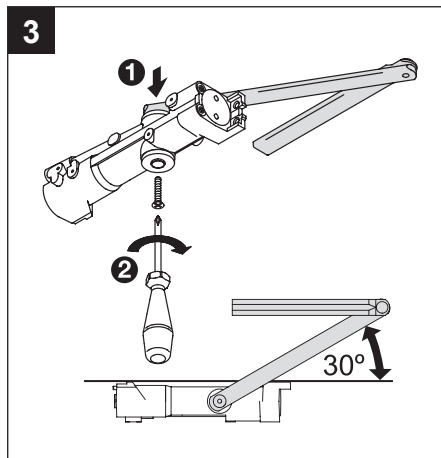
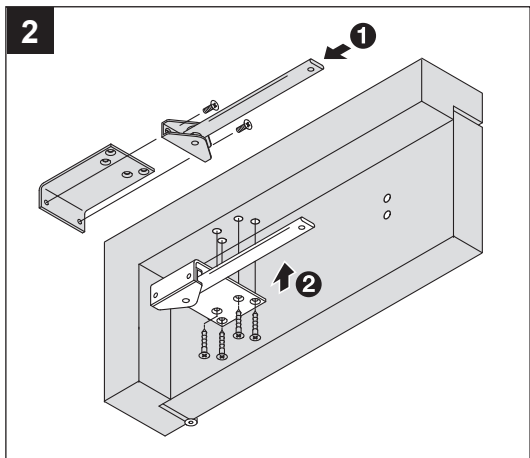
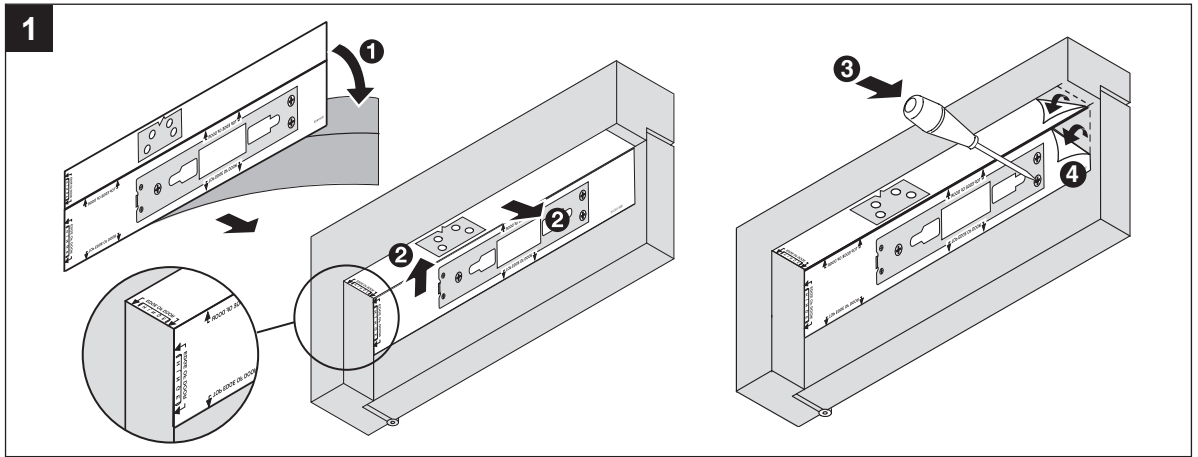
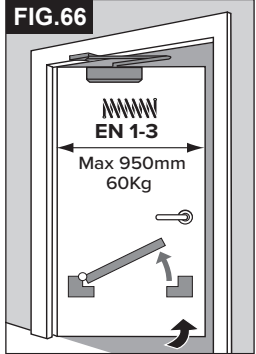
Briton

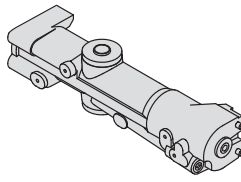
Briton 2003V
EN 1-3



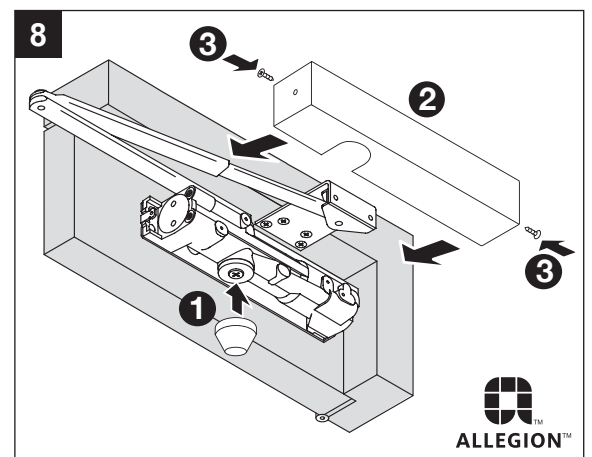
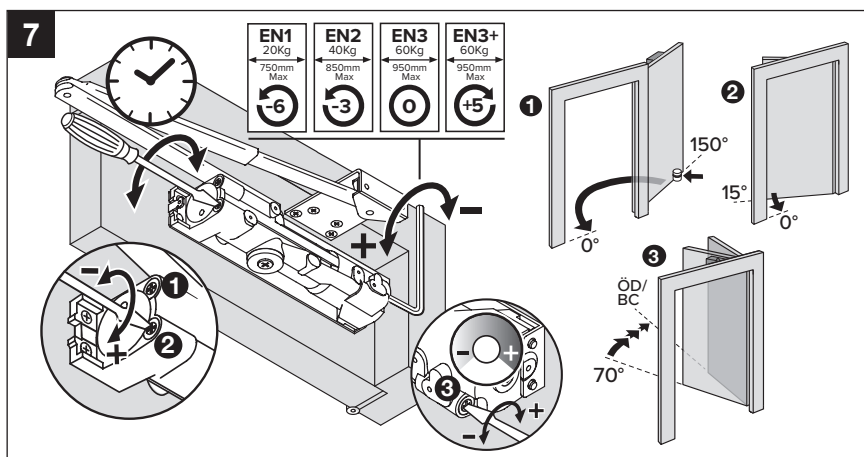
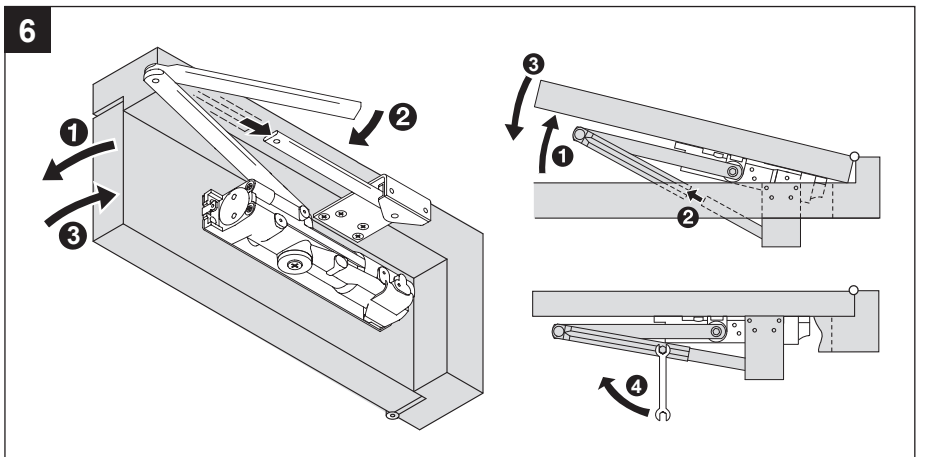
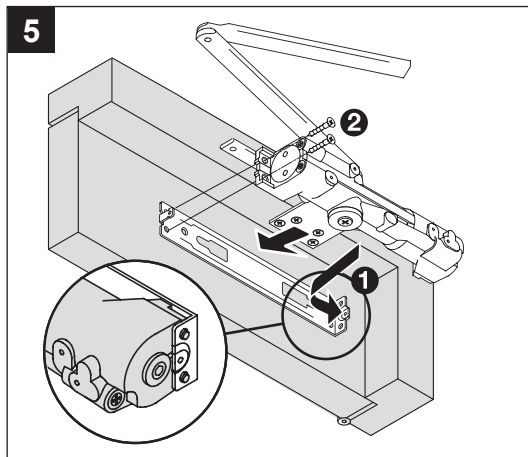
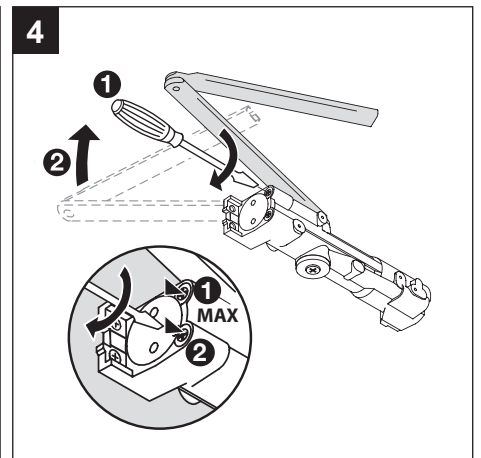
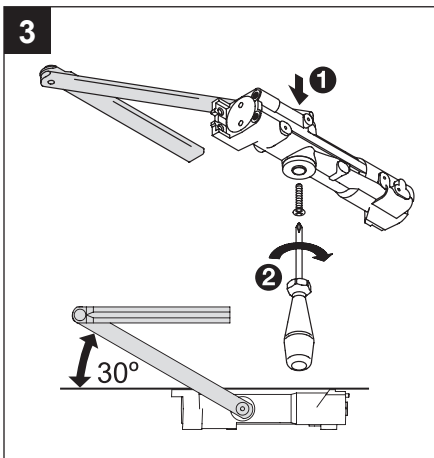
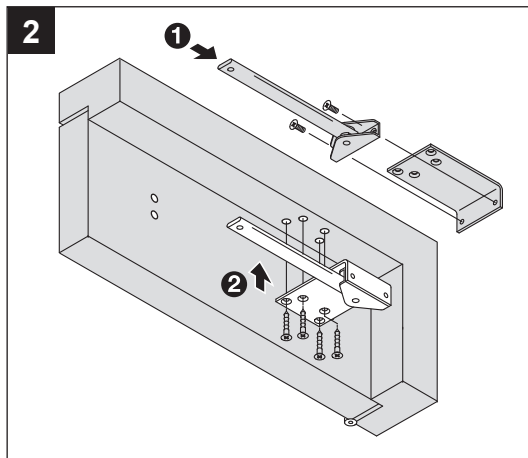
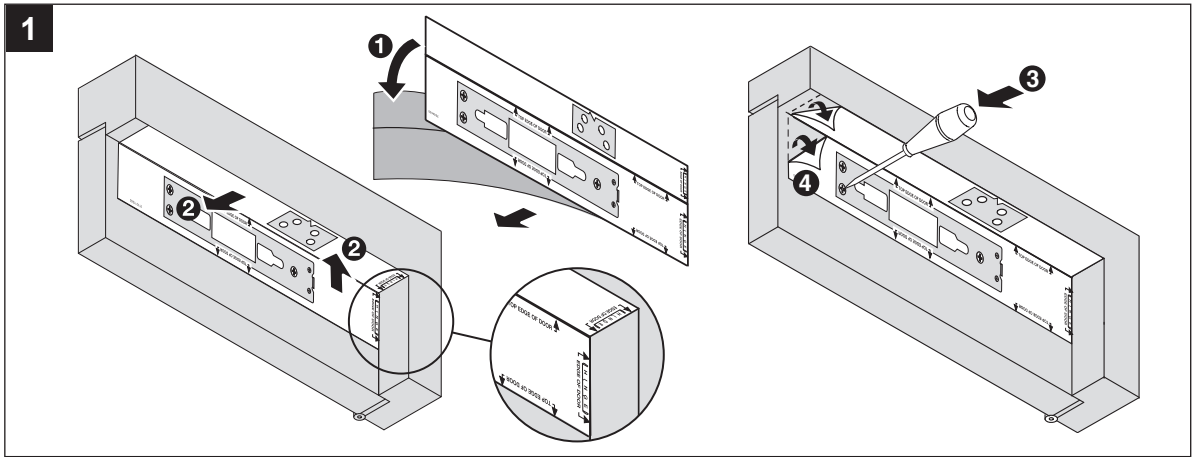
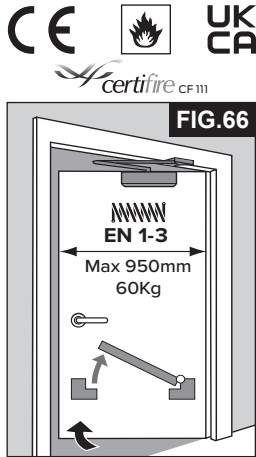
CE	Allegion (UK) Limited 35 Rocky Lane, Aston, Birmingham, B6 5RQ, UK
2812-CPR-AD0168	2005
EN1154:1996+A1:2002	3 8 1/3 113
Dangerous Substances: None	
UK CA	1121-CPR-UK- AD7600
	2021

23/473/00
REVISION A





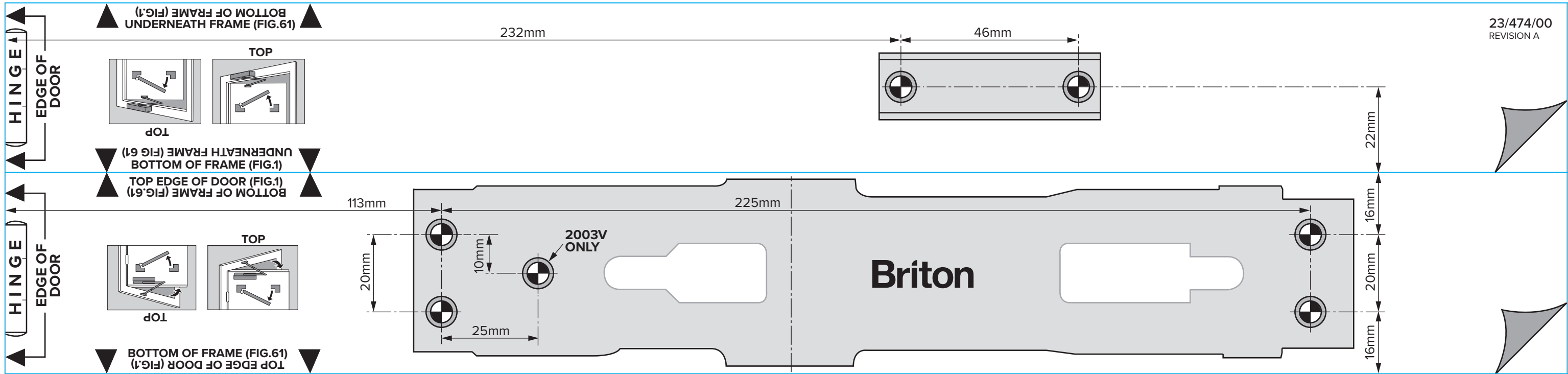
CE	Allegion (UK) Limited 35 Rocky Lane, Aston, Birmingham, B6 5RQ, UK	
	2812-CPR-AD0168	2005
EN1154:1996+A1:2002		3 8 1/3 113
Dangerous Substances: None		
UK CA	1121-CPR-UK- AD7600	
	2021	



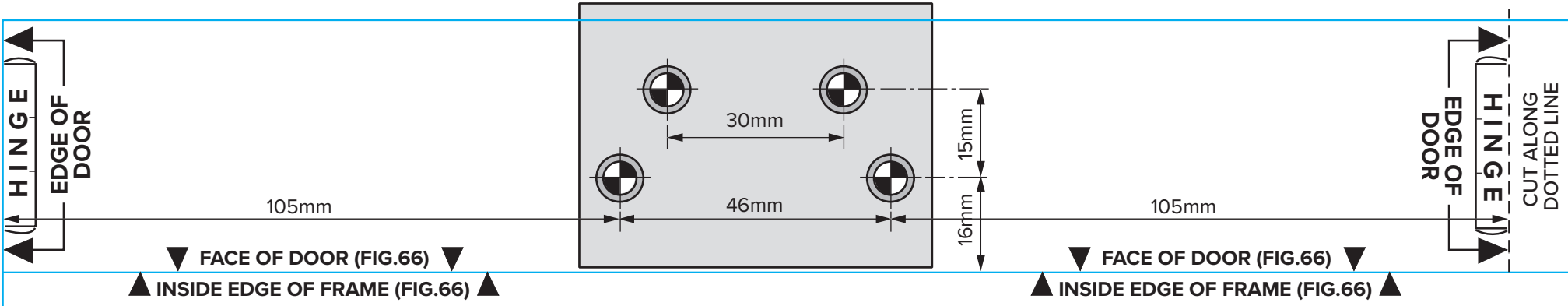
23/474/00
REVISION A

PEEL HERE

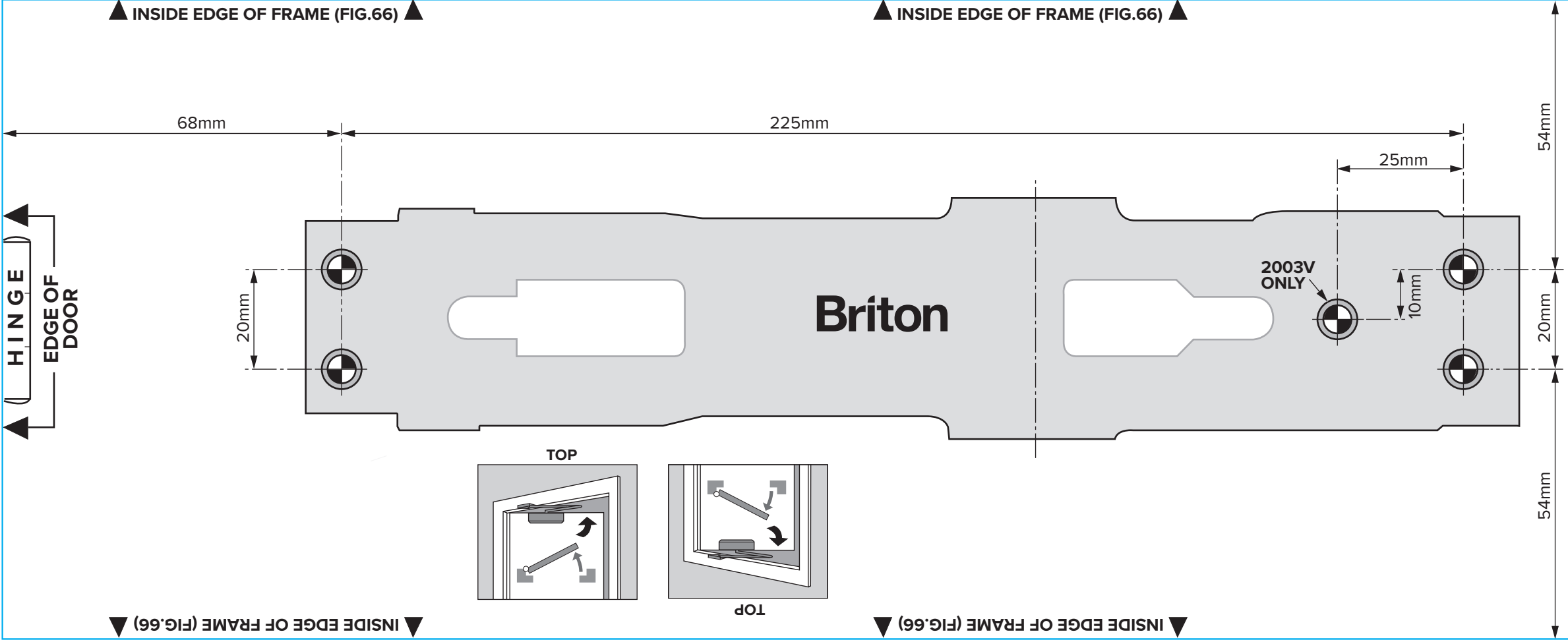
PEEL HERE



PEEL HERE



PEEL HERE



INSIDE EDGE OF FRAME (FIG.66)

INSIDE EDGE OF FRAME (FIG.66)