

Installation

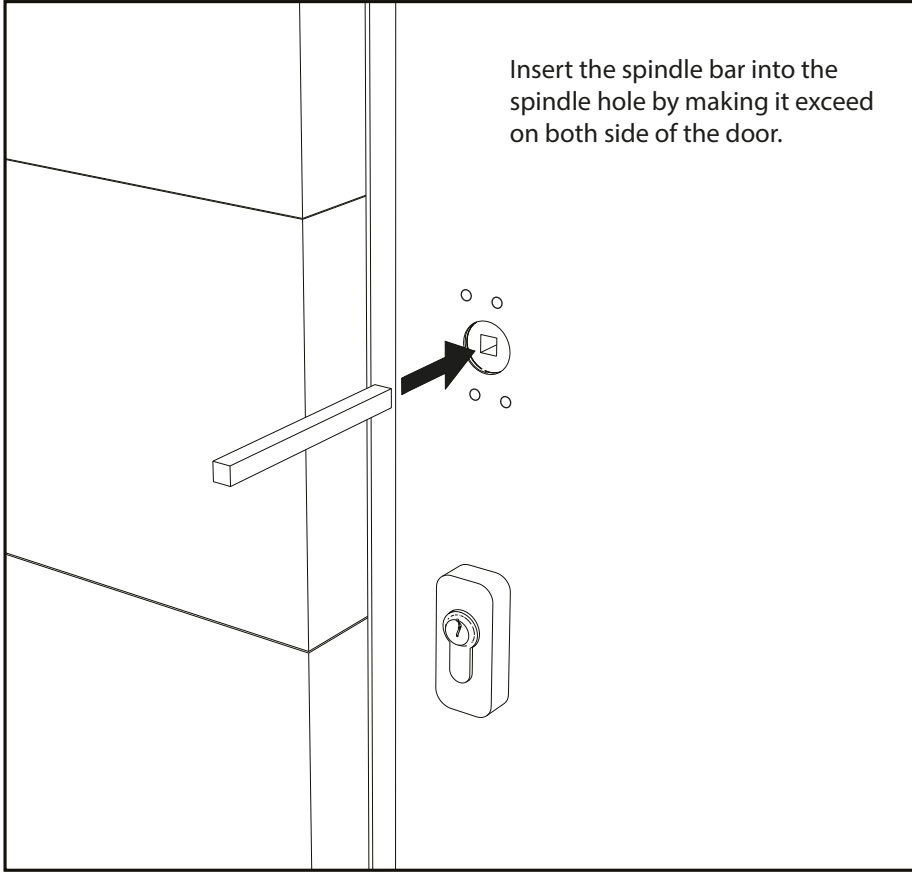
Handle



Tools required (not supplied)

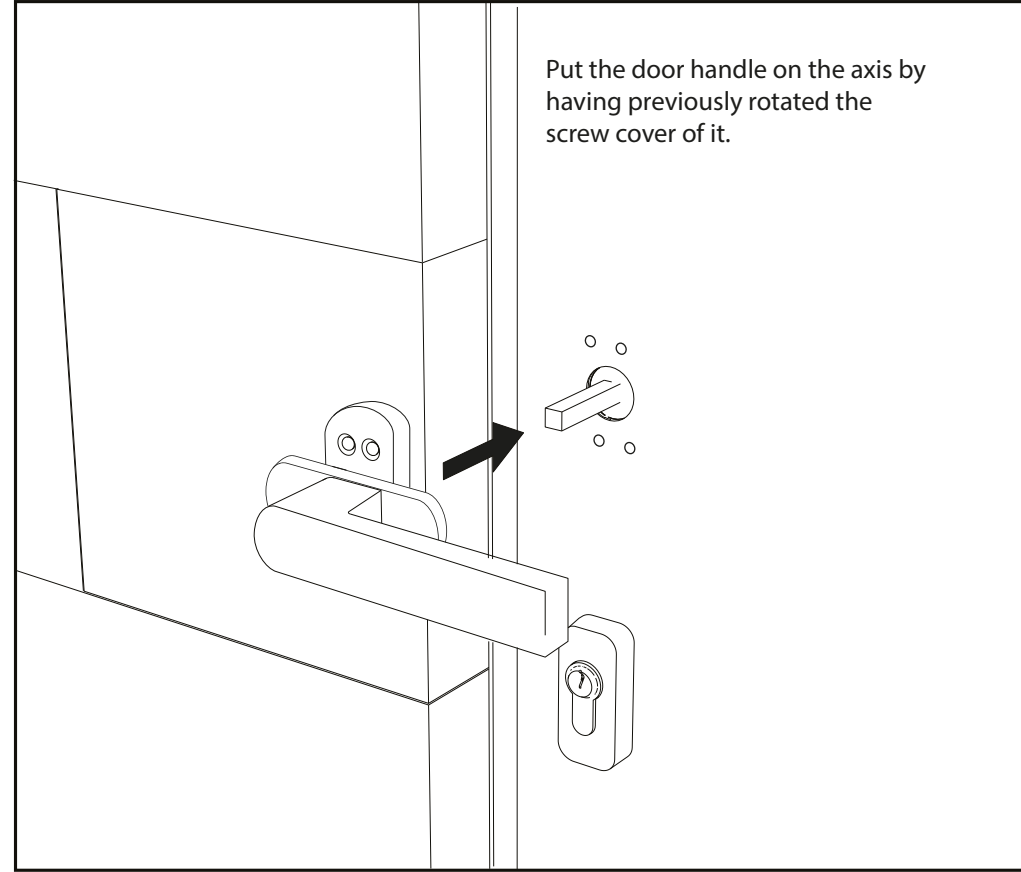
1

Insert the spindle bar into the spindle hole by making it exceed on both side of the door.



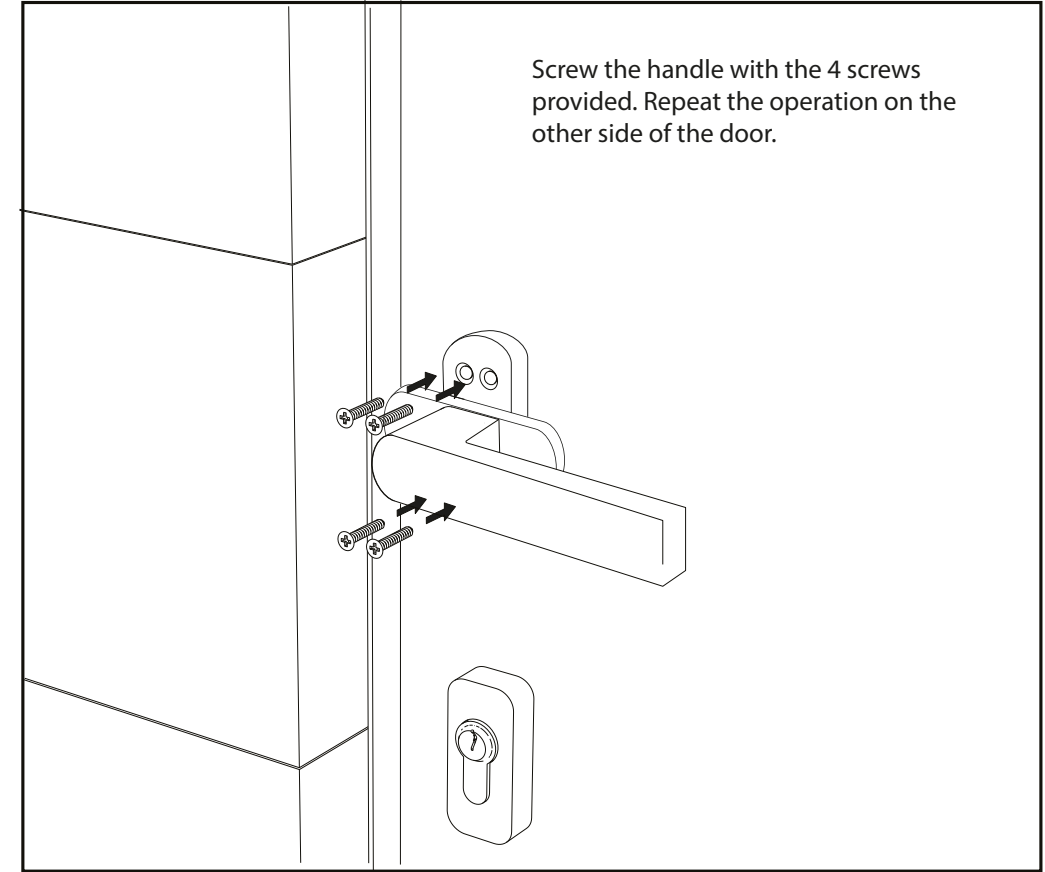
2

Put the door handle on the axis by having previously rotated the screw cover of it.



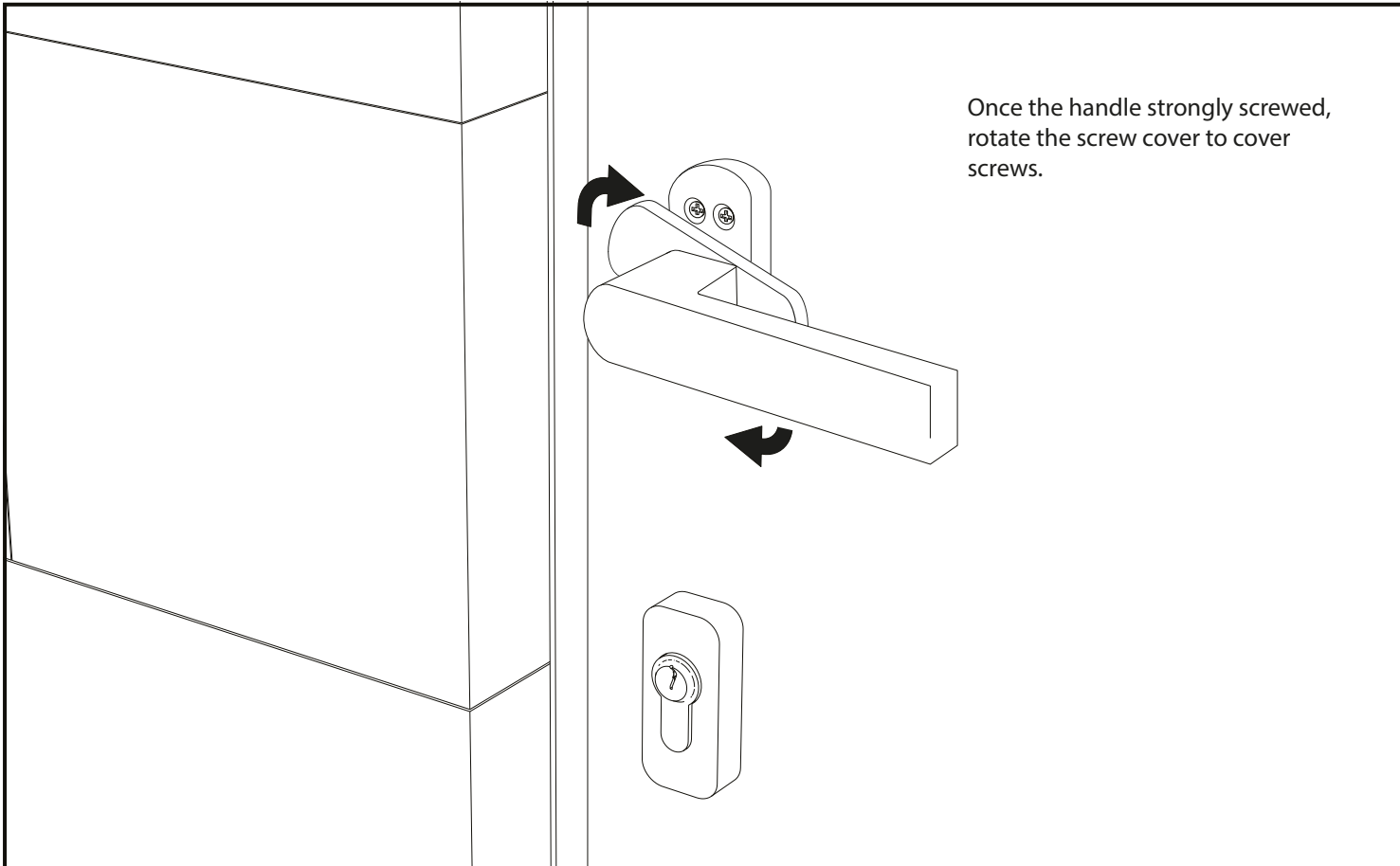
3

Screw the handle with the 4 screws provided. Repeat the operation on the other side of the door.



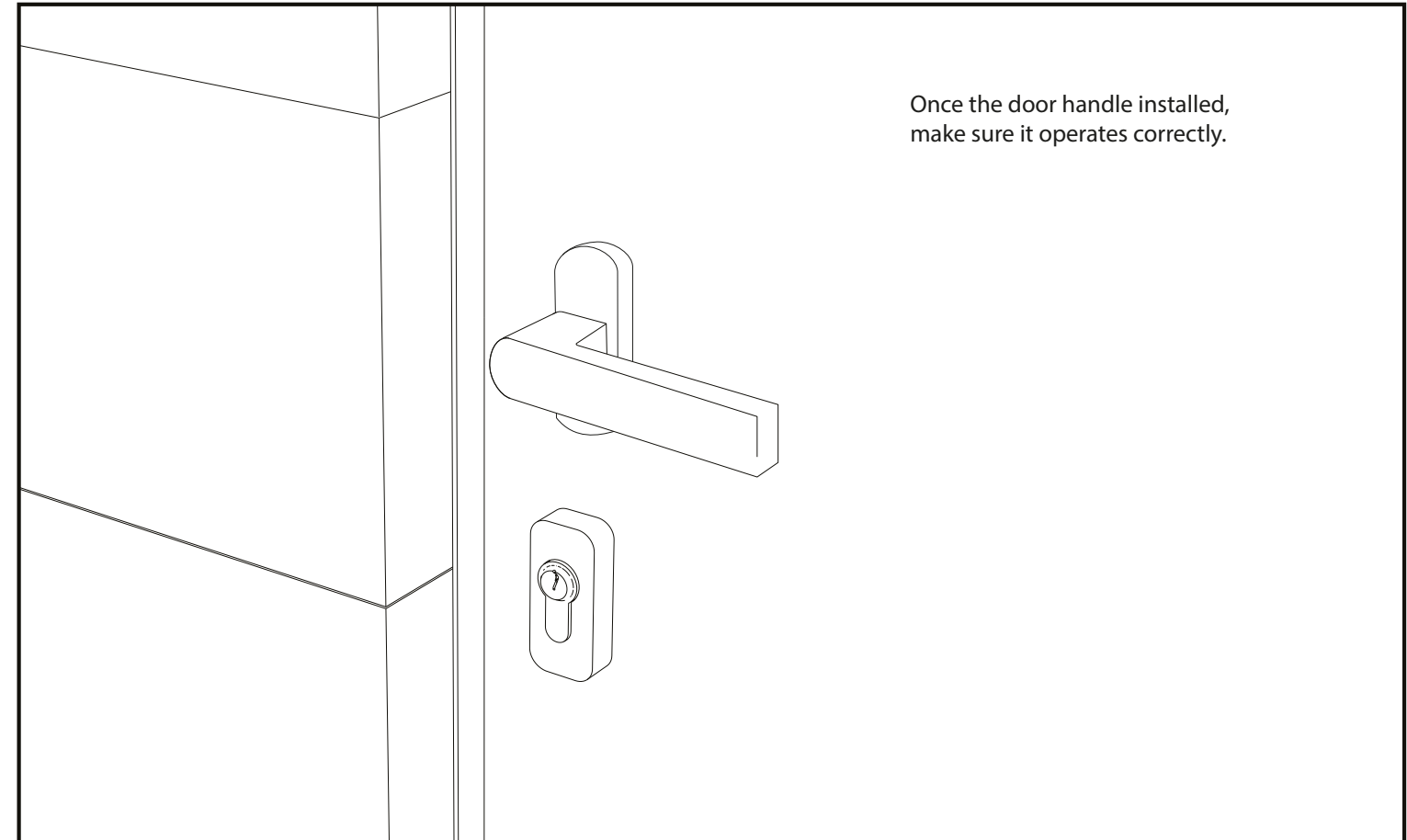
4

Once the handle strongly screwed, rotate the screw cover to cover screws.

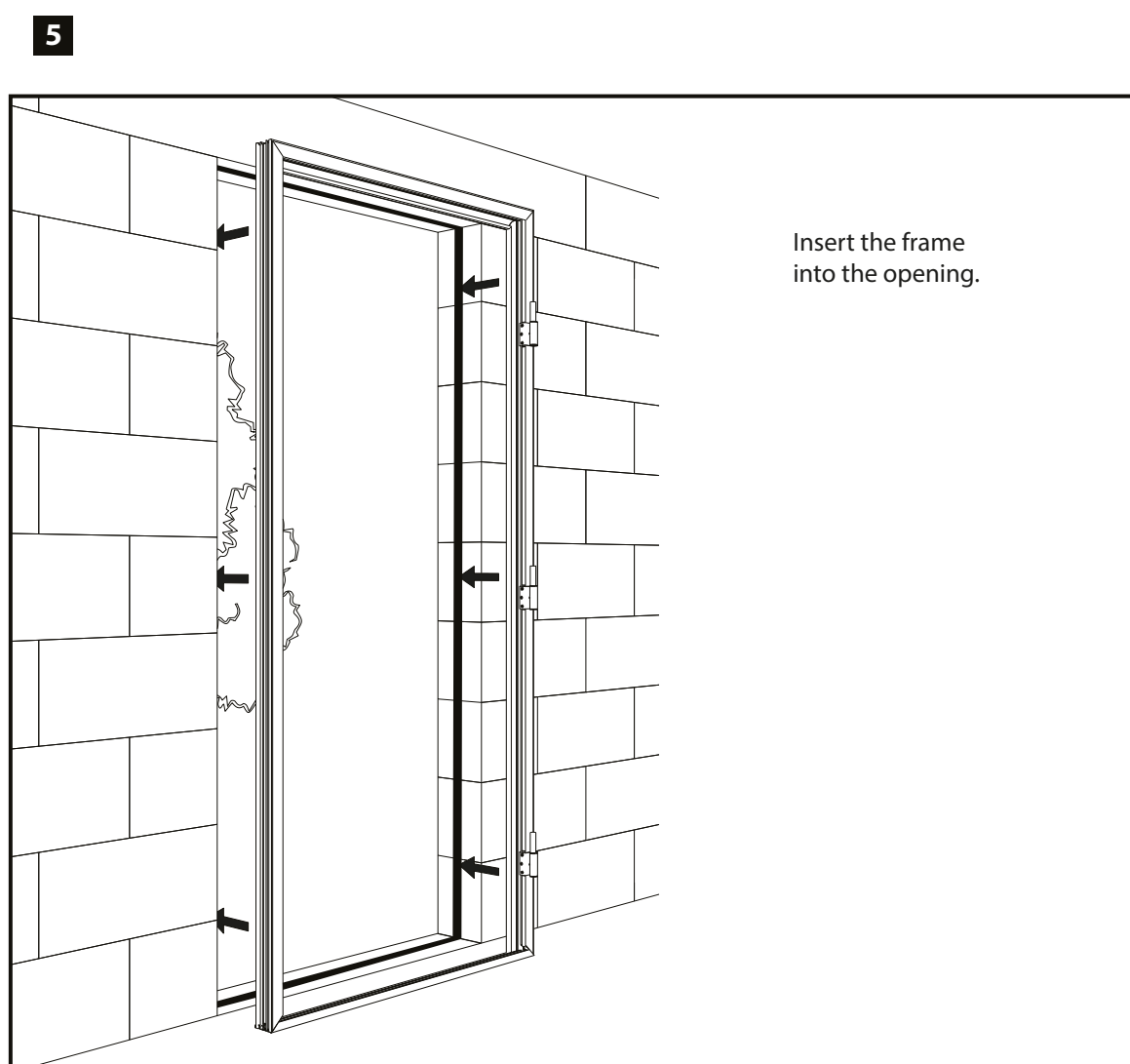
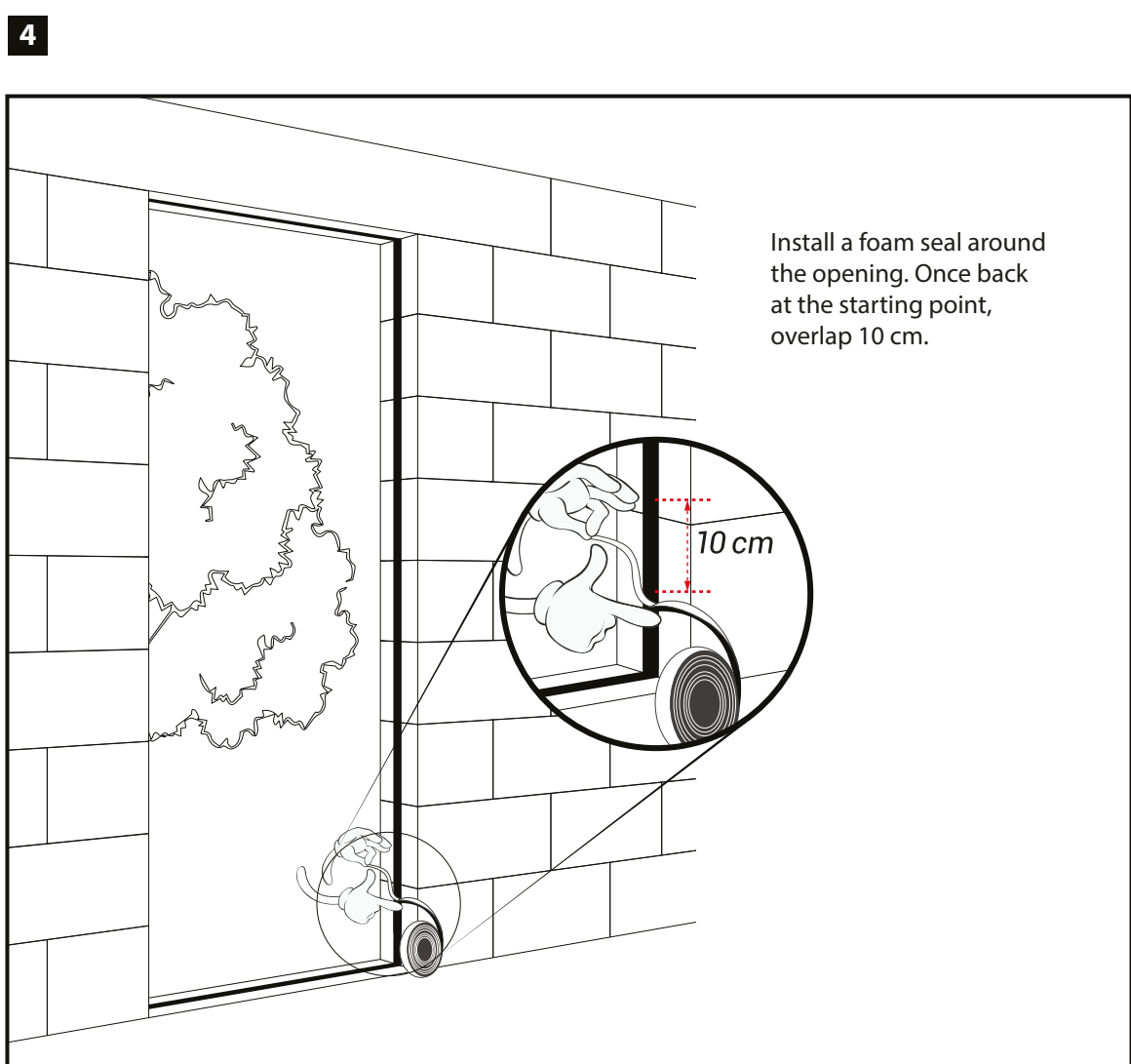
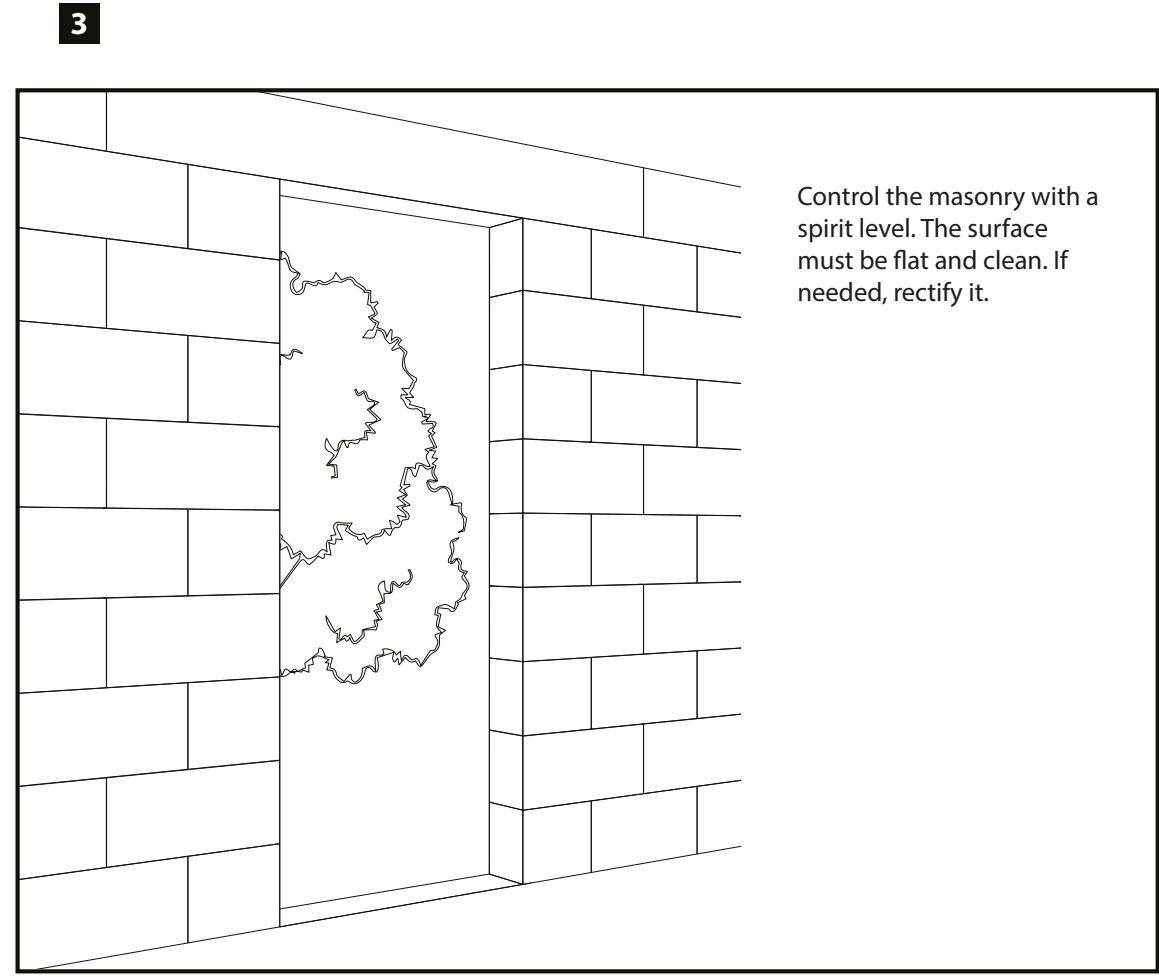
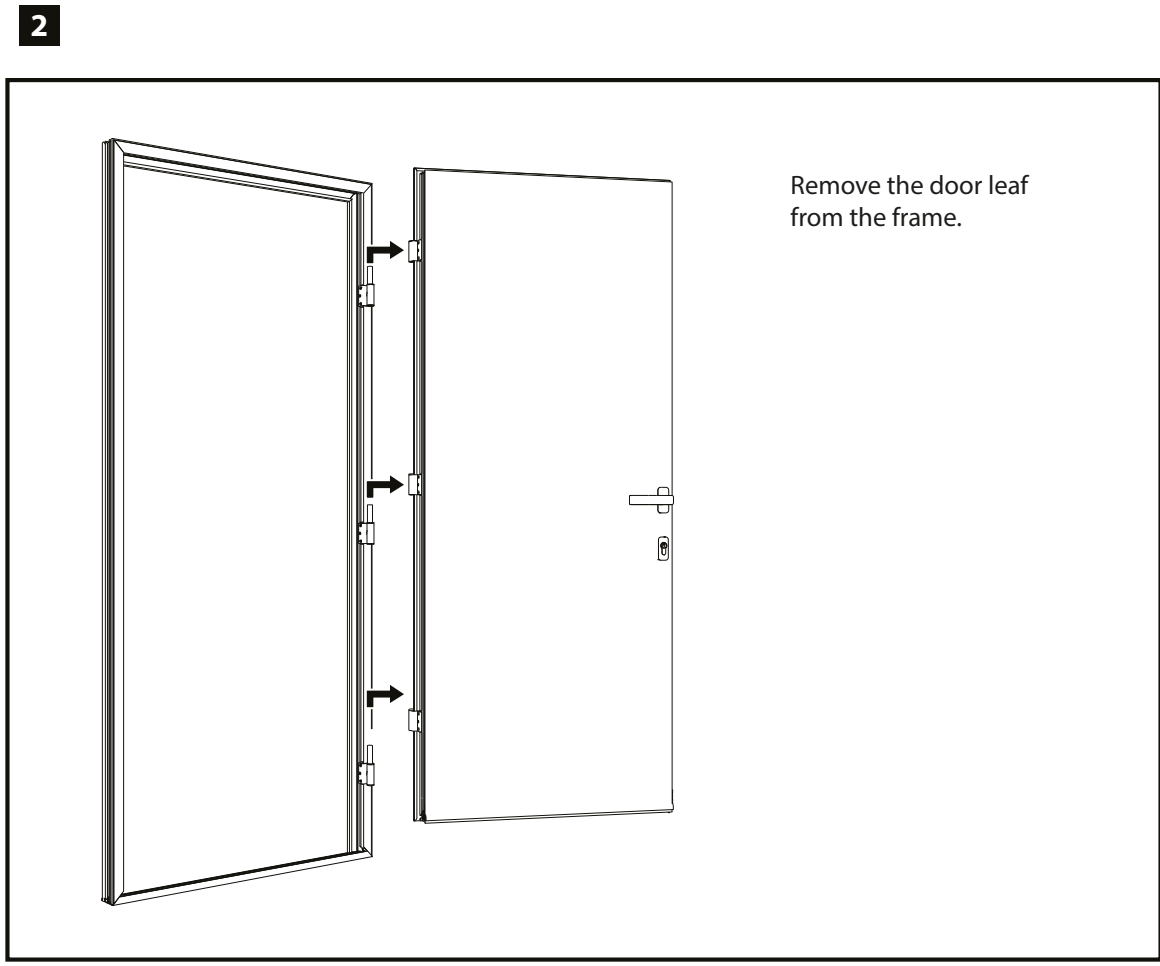
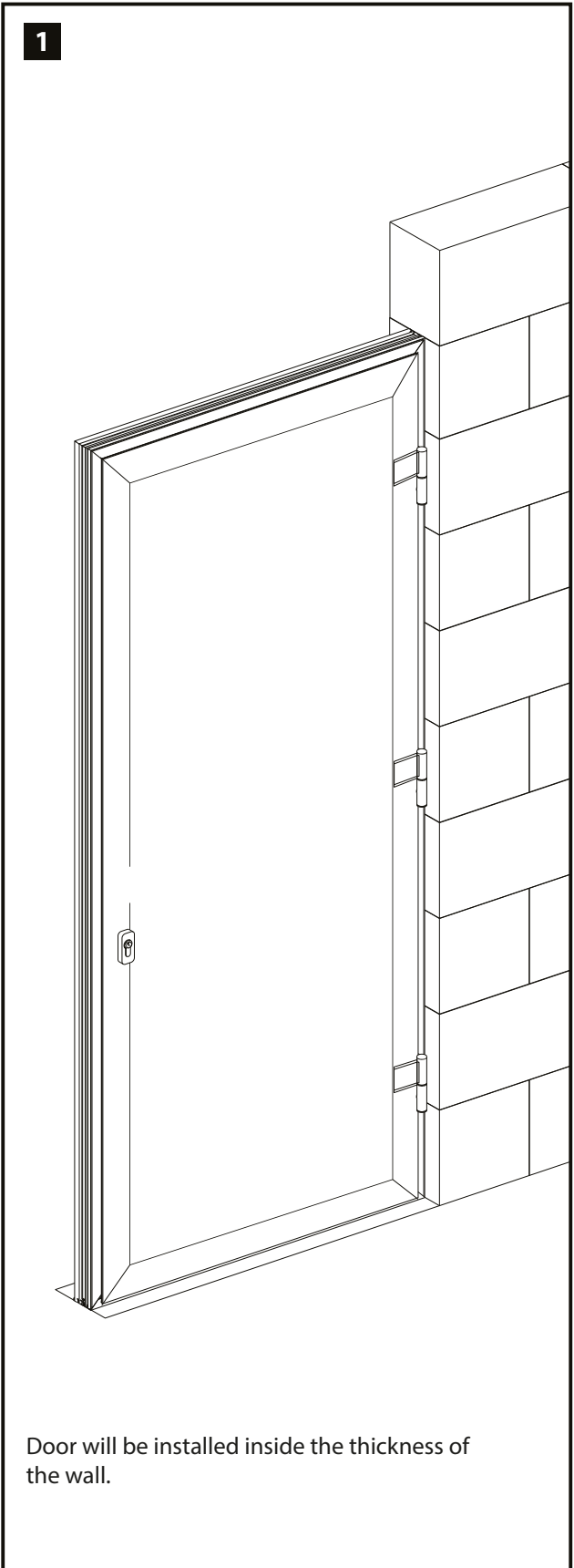
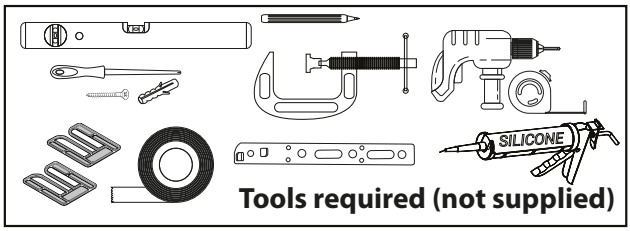


5

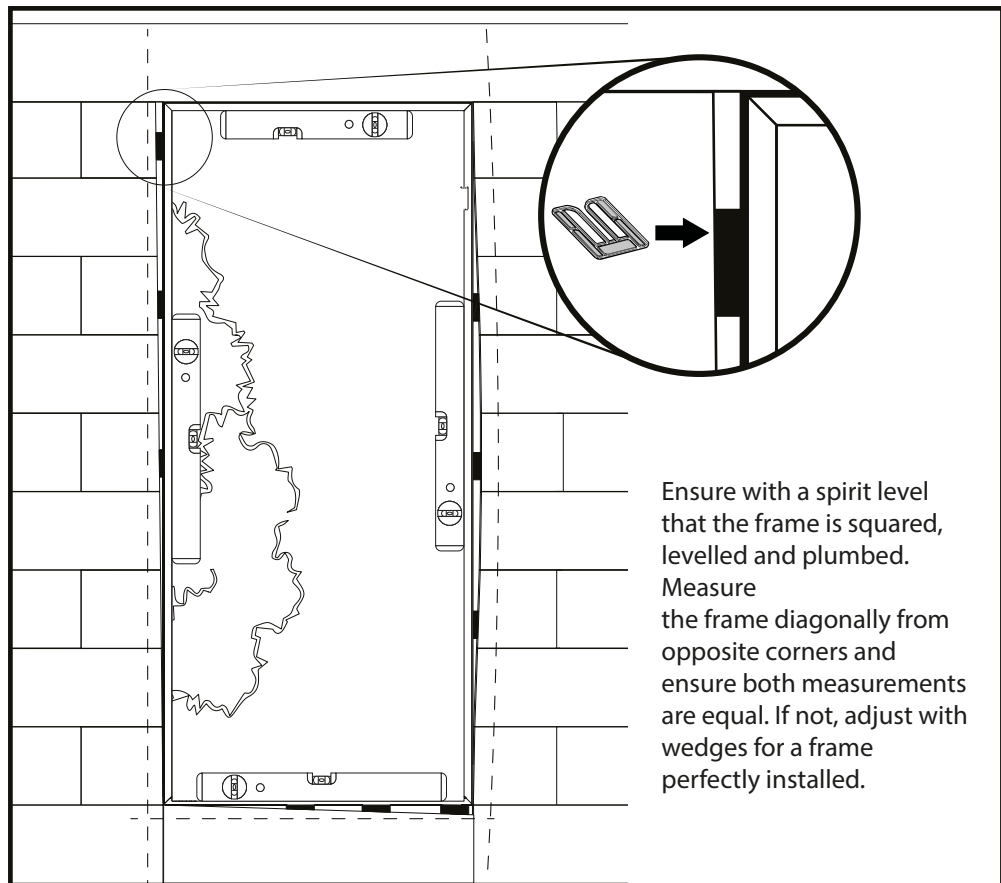
Once the door handle installed, make sure it operates correctly.



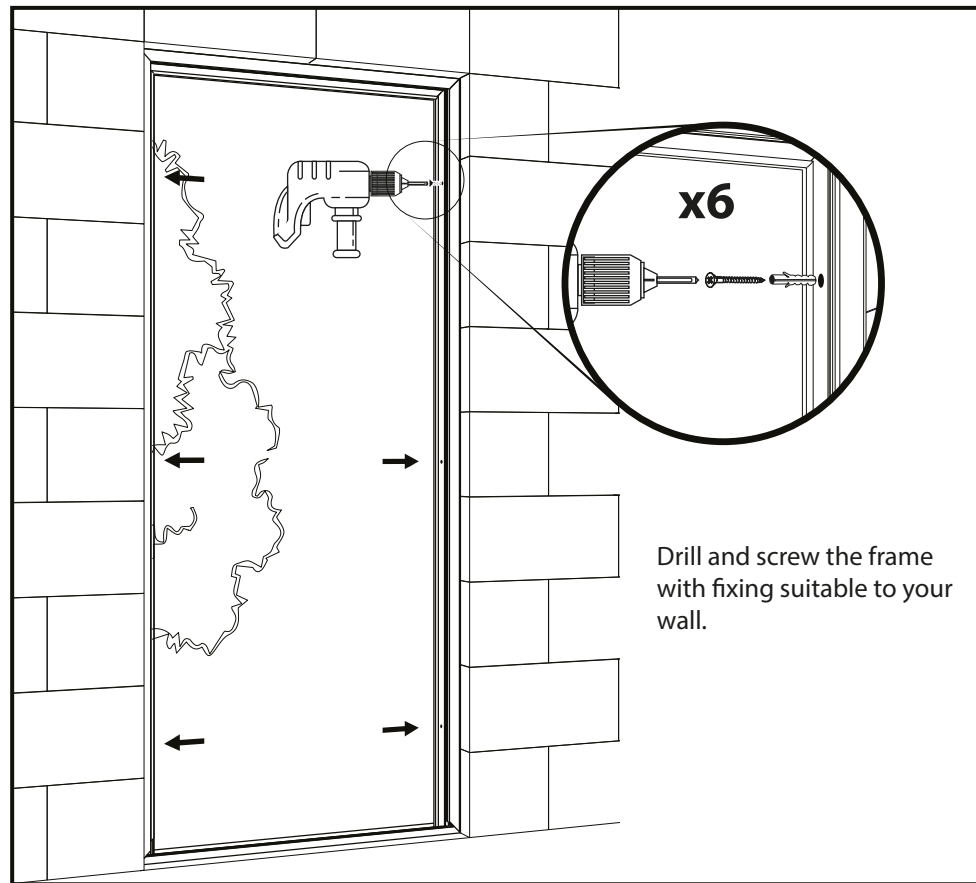
Installation



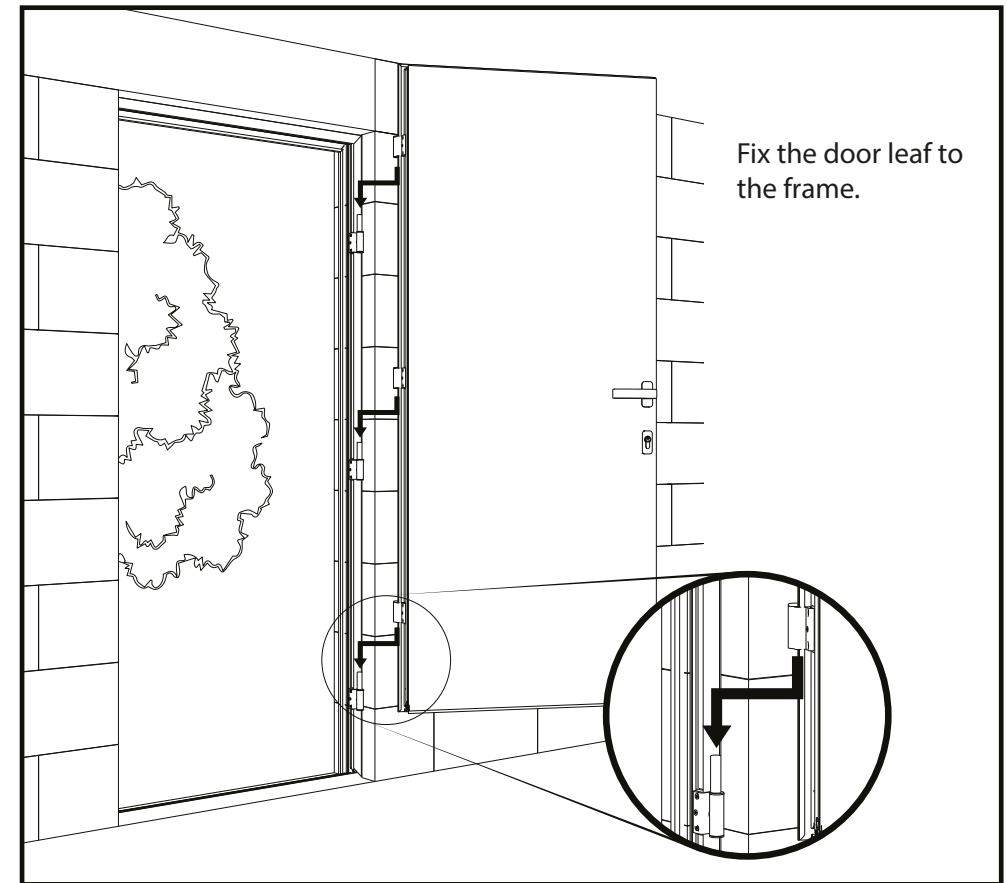
6



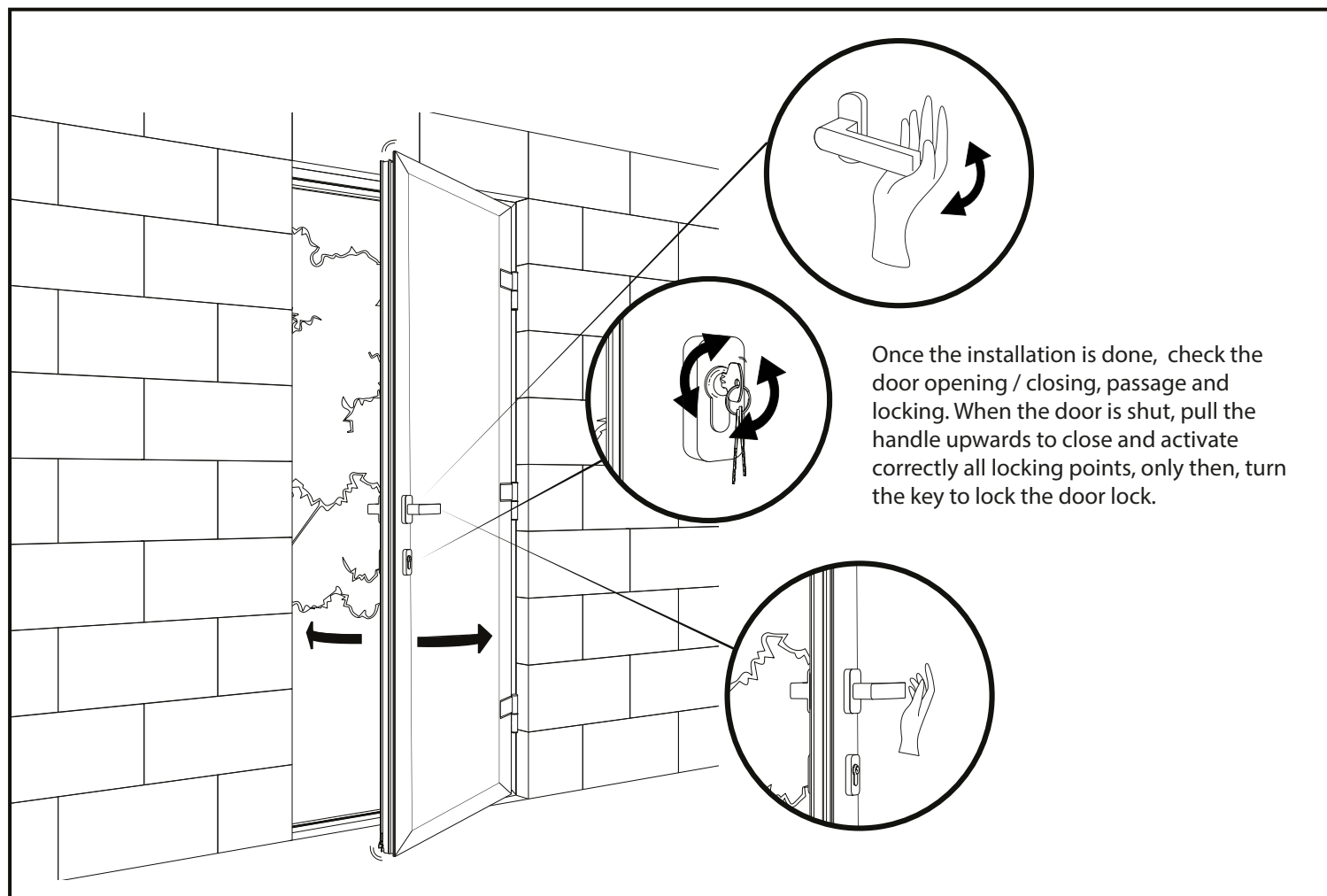
7



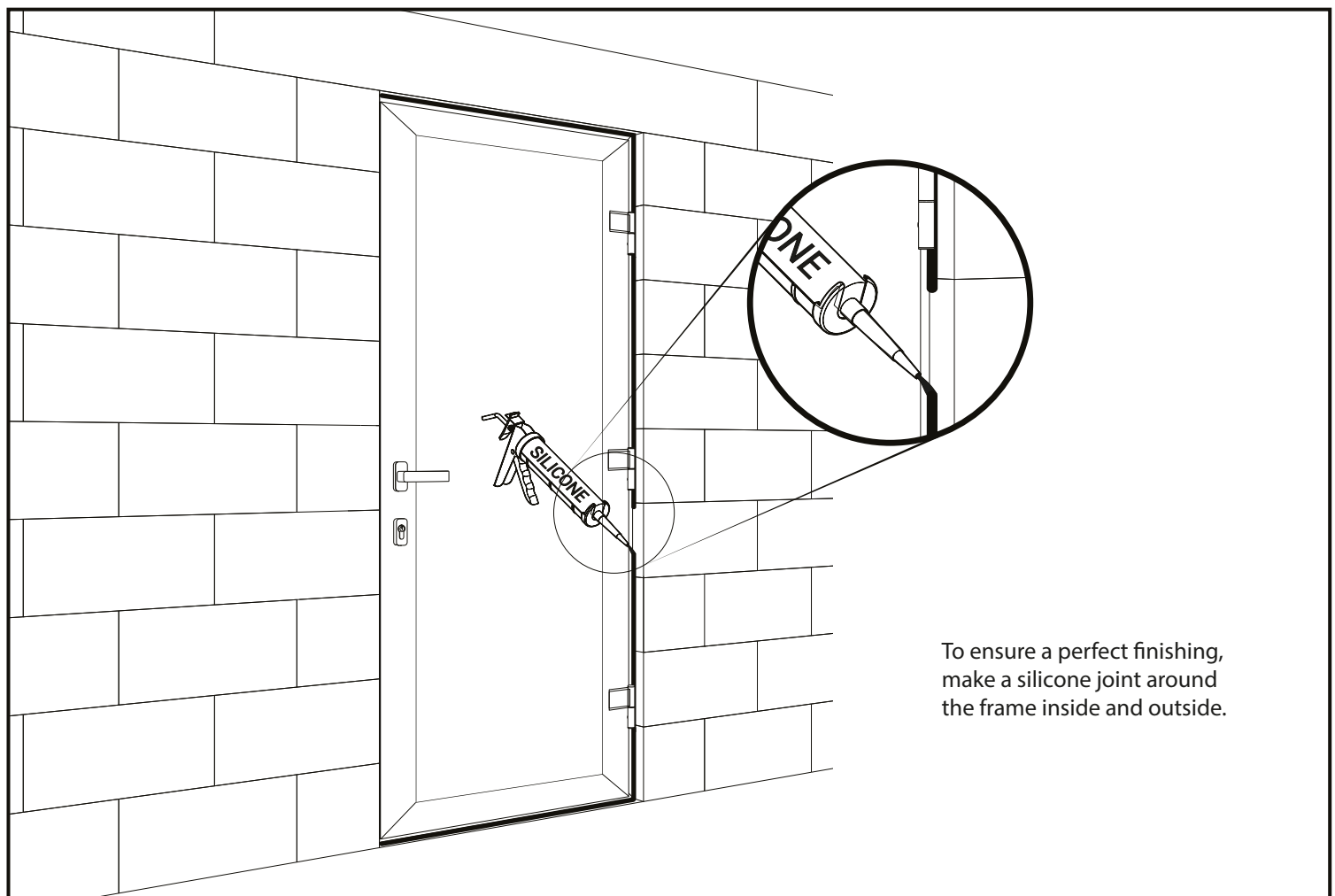
8



9



10



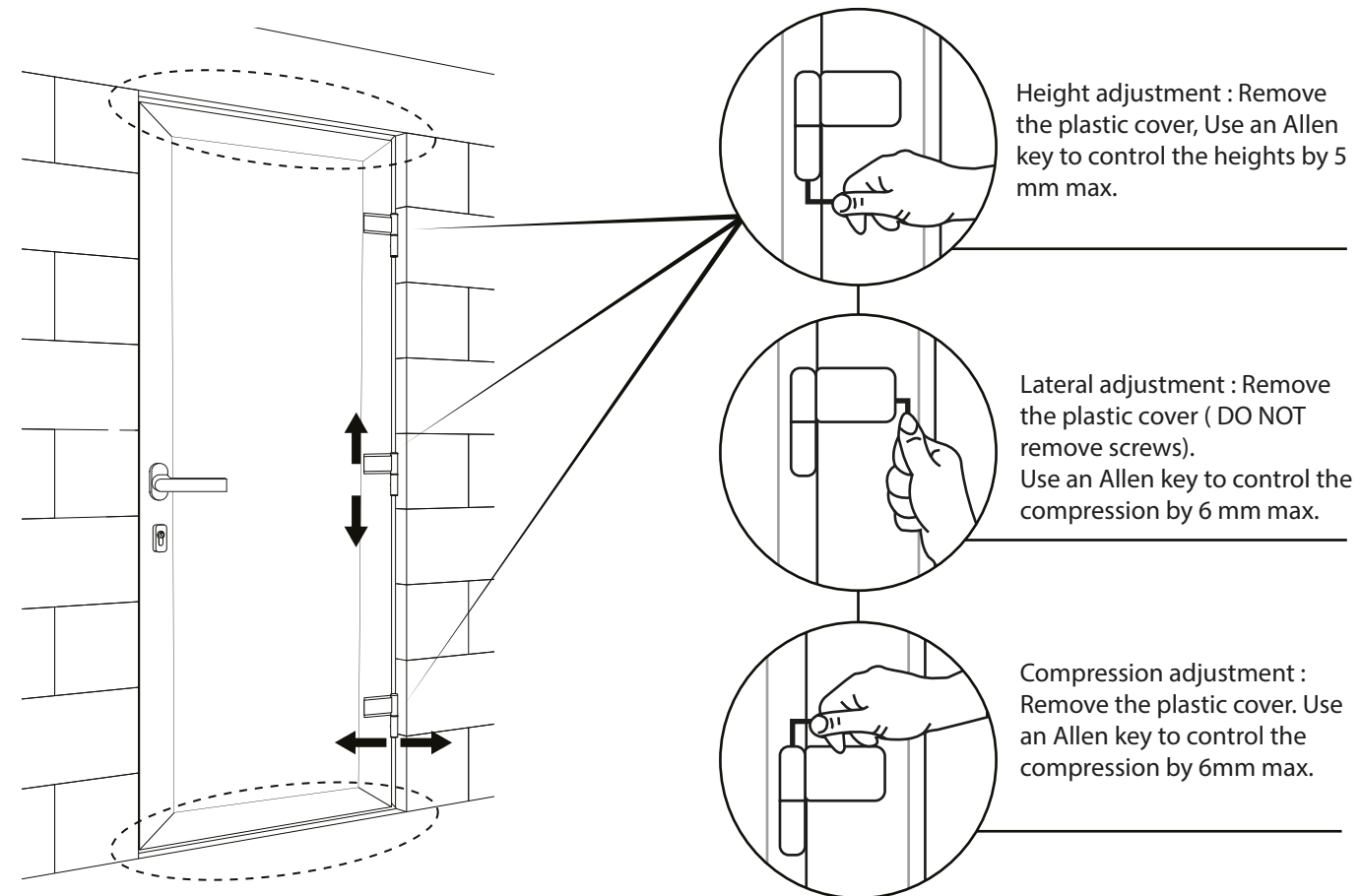
Adjustments

 Tools required (not supplied)

1

Vertical and horizontal adjustment.

Door doesn't open or close freely.



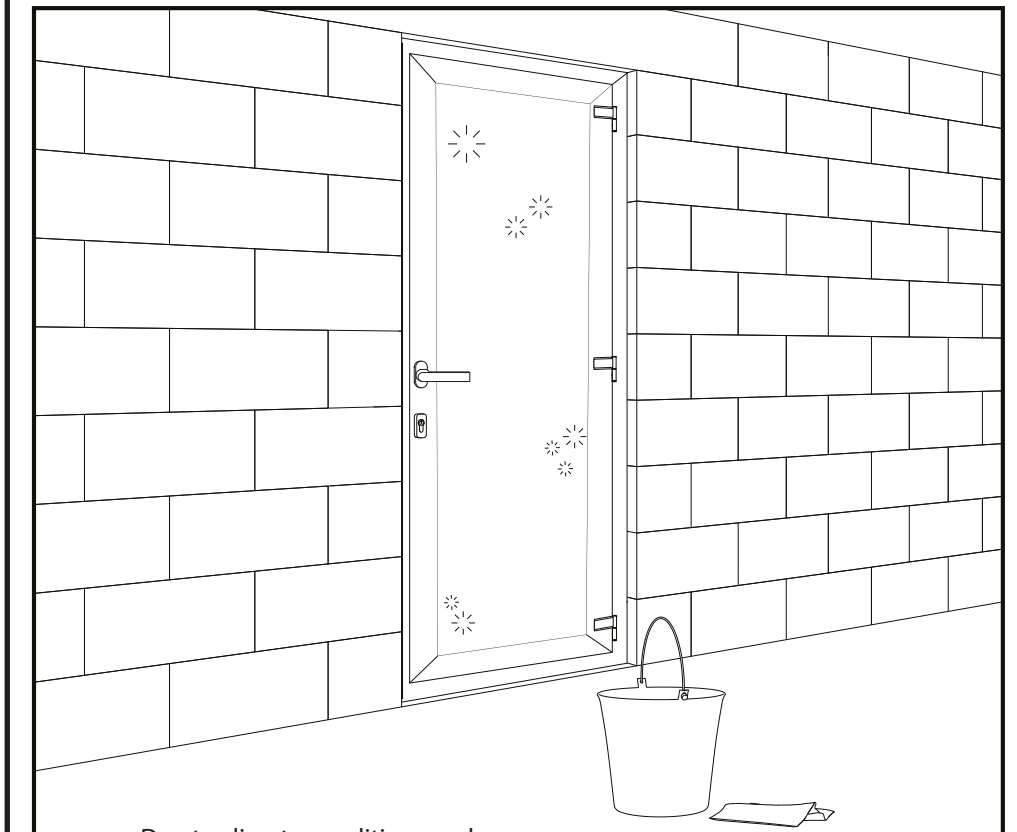
Height adjustment : Remove the plastic cover, Use an Allen key to control the heights by 5 mm max.

Lateral adjustment : Remove the plastic cover (DO NOT remove screws). Use an Allen key to control the compression by 6 mm max.

Compression adjustment : Remove the plastic cover. Use an Allen key to control the compression by 6mm max.

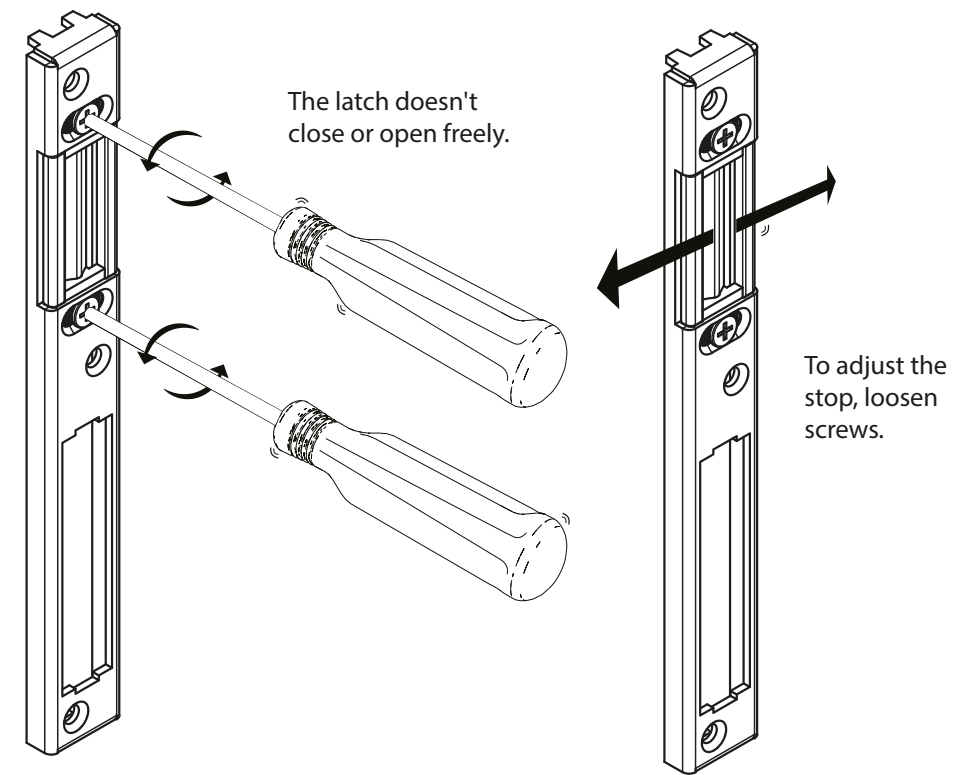
Clean and care

1



Due to climate conditions and pollution, the door must be cleaned on a regular bases. Only use warm soapy water and a soft damp cloth to clean the surface of the door. Wash, rinse and wipe for a perfect result.

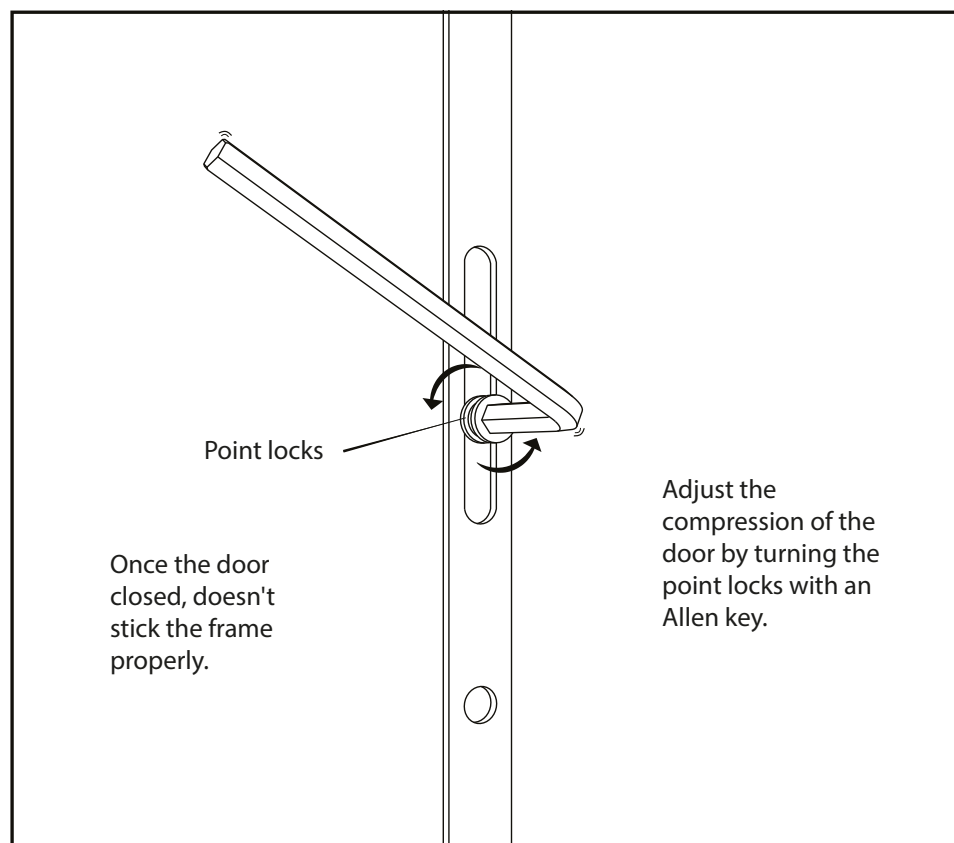
2



The latch doesn't close or open freely.

To adjust the stop, loosen screws.

3

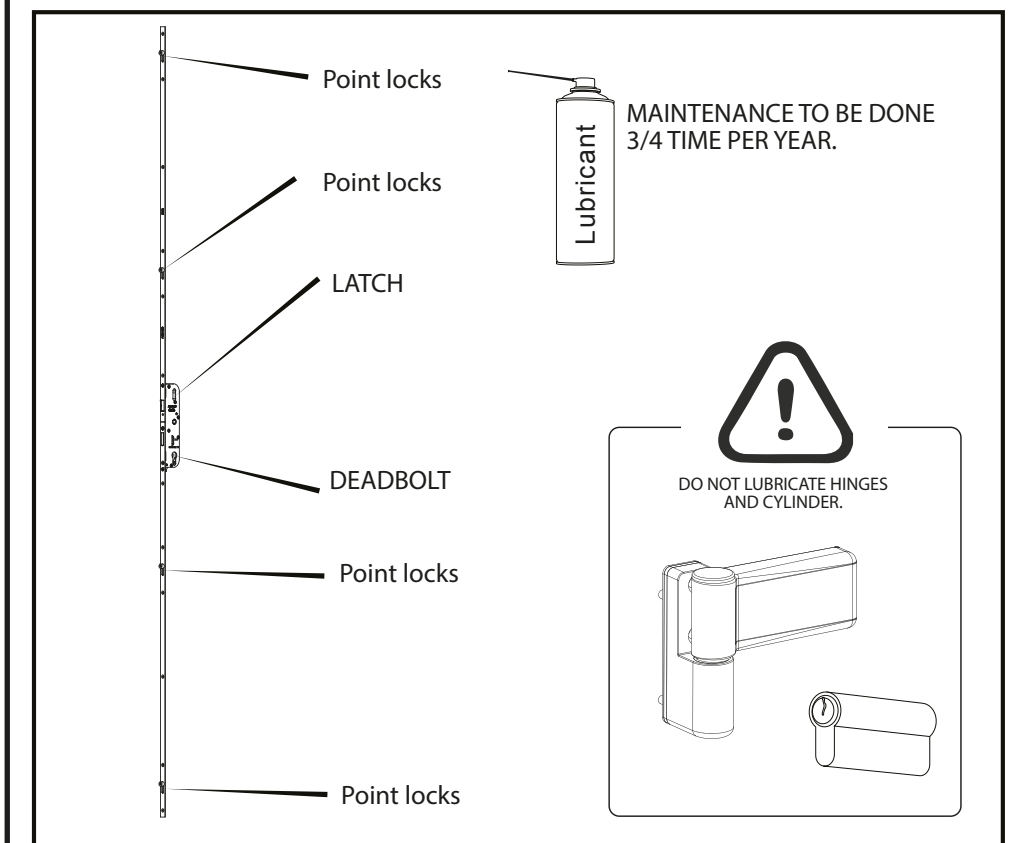


Point locks

Once the door closed, doesn't stick the frame properly.

Adjust the compression of the door by turning the point locks with an Allen key.

2



Point locks

Point locks

LATCH

DEADBOLT

Point locks

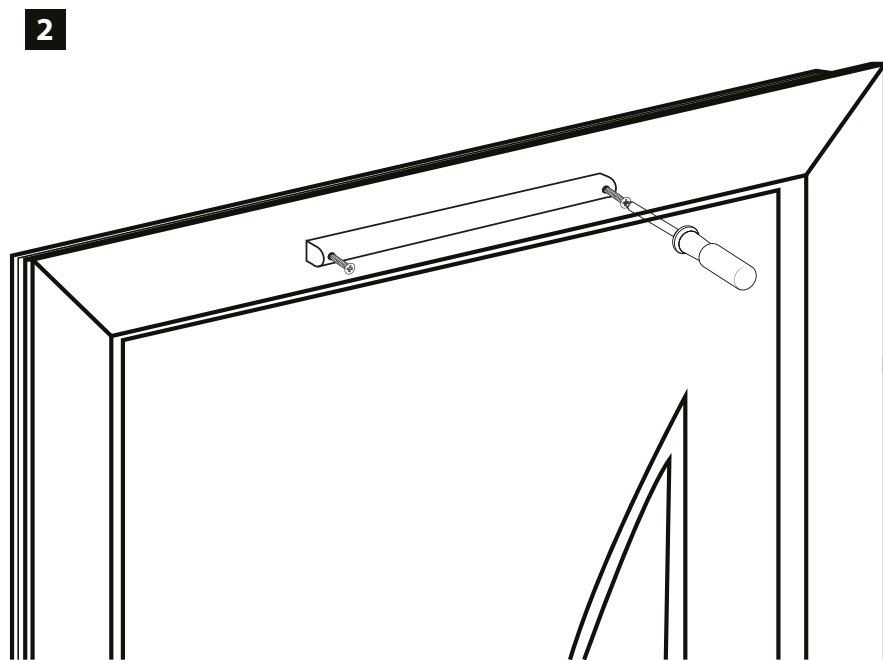
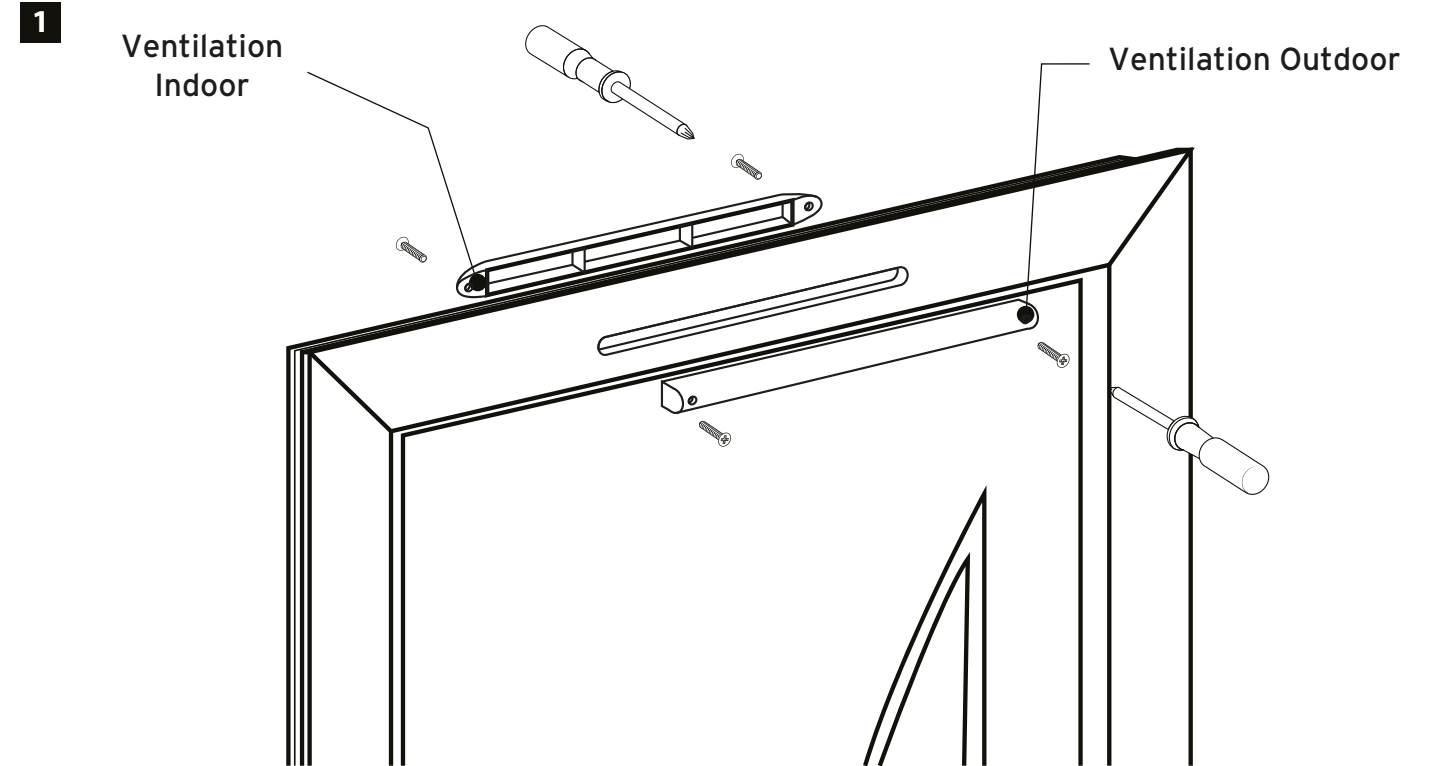
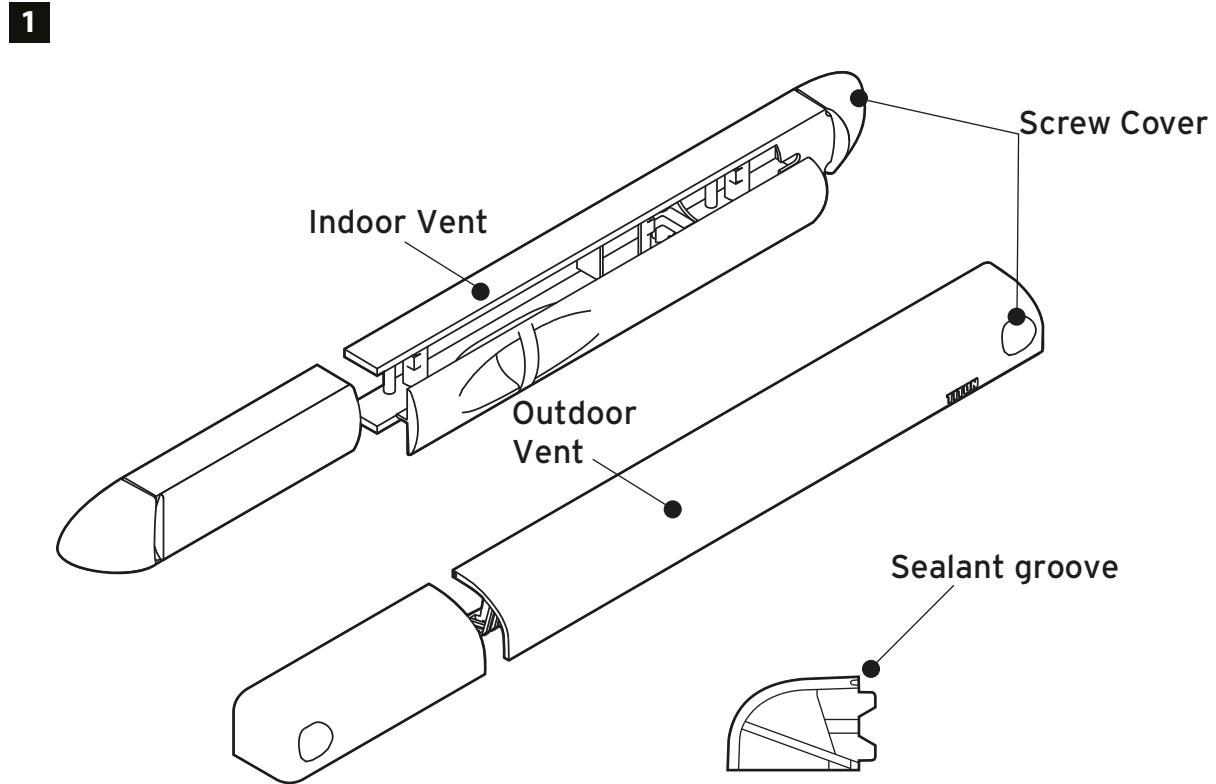
Point locks

Lubricant

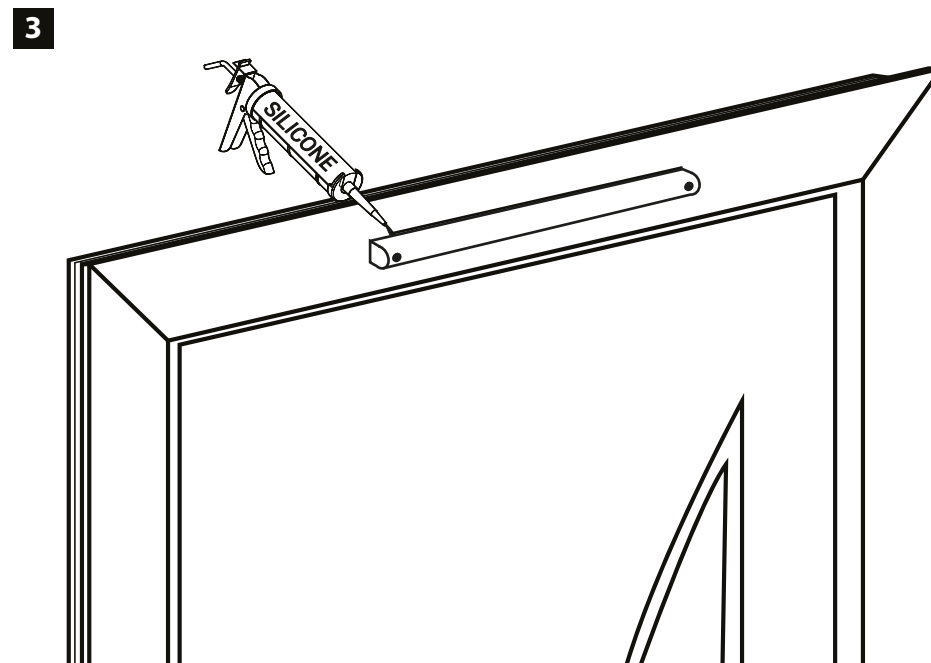
MAINTENANCE TO BE DONE 3/4 TIME PER YEAR.

DO NOT LUBRICATE HINGES AND CYLINDER.

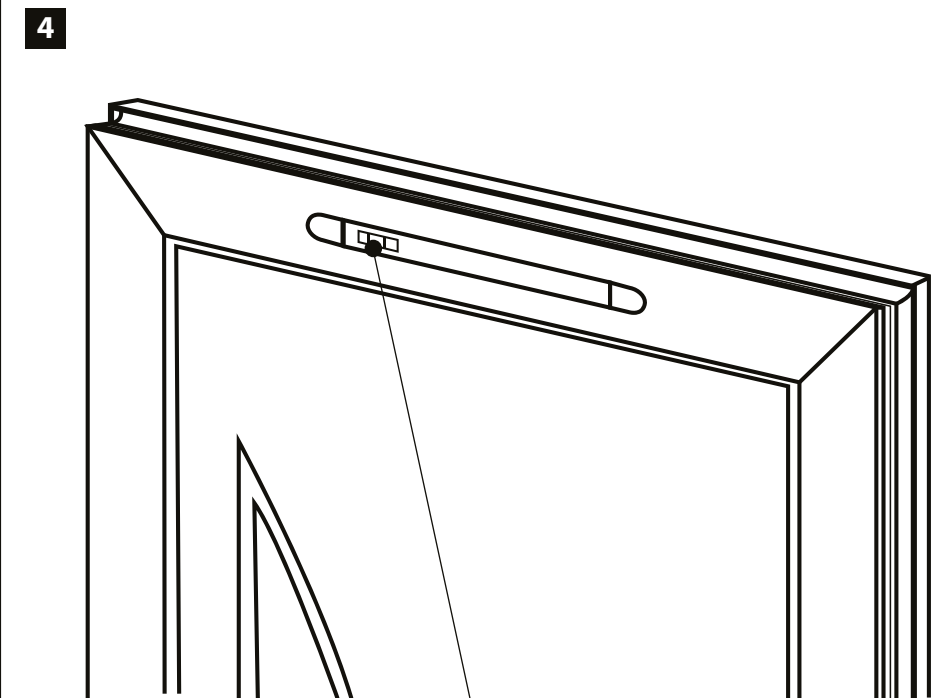
Ventilation Installation



Screw indoor and outdoor ventilation and add screw covers.
DO NOT OVER TIGHTEN!



To ensure a perfect watertightness, make a silicone joint on the sealant groove on top of the outdoor ventilation.



Ventilation
(Open / Close)

Guarantee Conditions

We take special care to select high quality materials and use manufacturing techniques that allow us to create products incorporating design and durability. This product has a 15-year guarantee on profiles, panels, frames and glazing as well as 2-year guarantee on hardware, against manufacturing defects, from the date of purchase (if bought in store) or date of delivery (if bought online), at no additional cost for normal (non-professional or commercial) household use.

To make a claim under this guarantee, you must present your proof of purchase (such as a sales receipt, purchase invoice or other evidence admissible under applicable law), please keep your proof of purchase in a safe place. For this guarantee to apply, the product you purchased must be new, it will not apply to second hand or display products. In case of a product replaced or repaired under the legal guarantee of conformity (2 years), the replaced/repaired part benefits from an additional 6 months of guarantee.

This guarantee covers product failures and malfunctions provided the product was used for the purpose for which it is intended and subject to installation, cleaning, care and maintenance in accordance with the information contained in these terms and conditions, in the user manual and standard practice, provided that standard practice does not conflict with the user manual.

This guarantee does not cover defects and damage caused by normal wear and tear or damage that could be the result of improper use, faulty installation or assembly, neglect, accident, misuse, or modification of the product. Unless stated otherwise by applicable law, this guarantee will not cover, in any case, ancillary costs (shipping, movement, costs of uninstalling and reinstalling, labour etc), or direct and indirect damage.

If the product is defective, we undertake, within 15 days from the first request for support from the after-sales service, to provide the spare parts concerned or find a solution acceptable to the customer.

Rights under this guarantee are enforceable in the country in which you purchased this product. Guarantee related queries should be addressed to the store you purchased this product from. The guarantee is in addition to and does not affect your statutory rights.

Kingfisher International Products Limited
1 Paddington Square
London
W2 1GG
United Kingdom

Kingfisher International Products B.V.,
Rapenburgerstraat 175E,
1011 VM Amsterdam,
The Netherlands

www.kingfisher.com/products