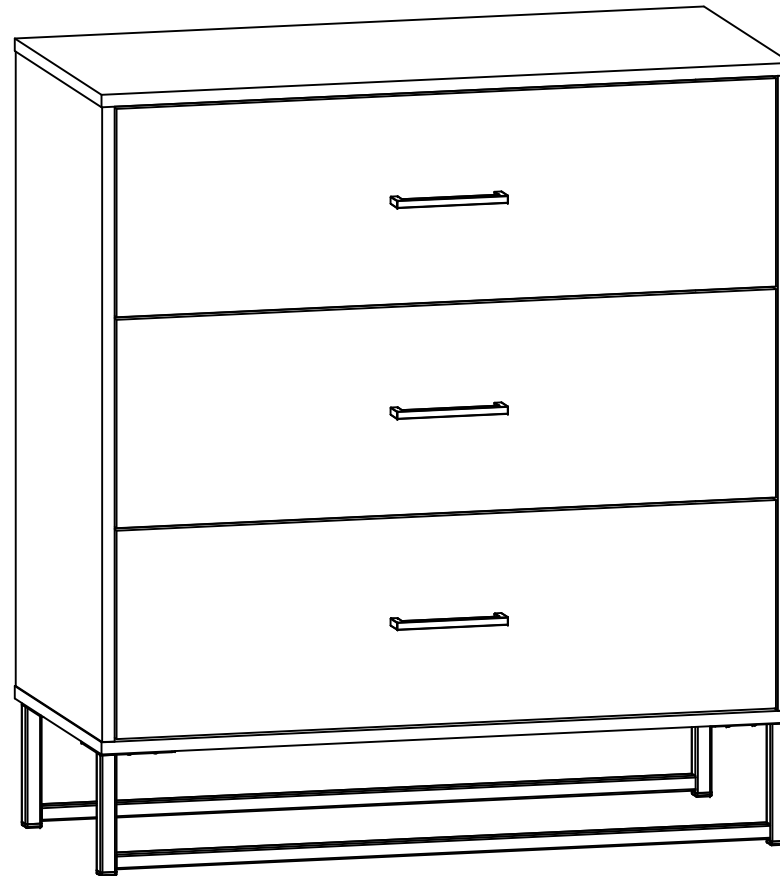
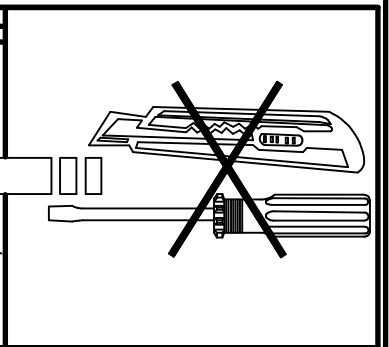
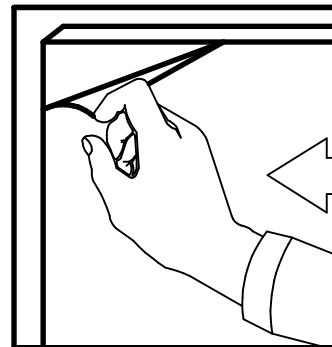
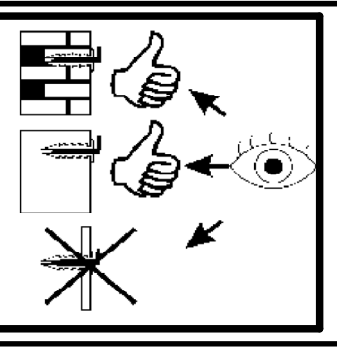
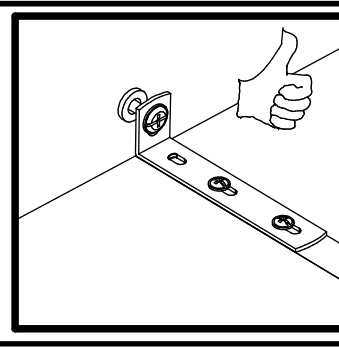
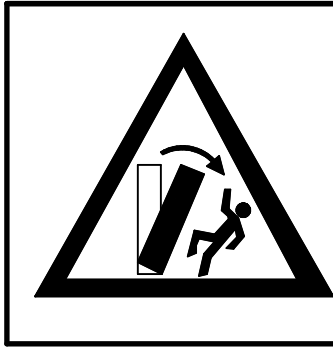
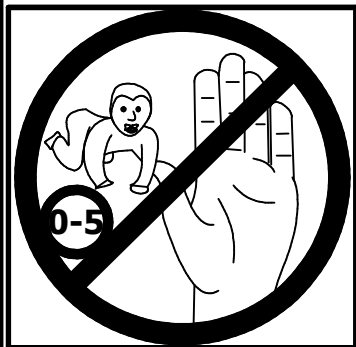
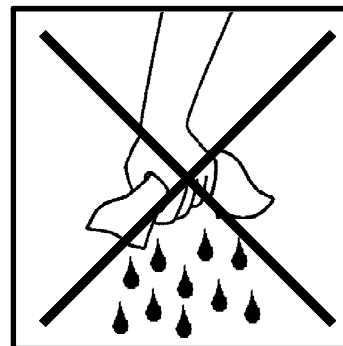
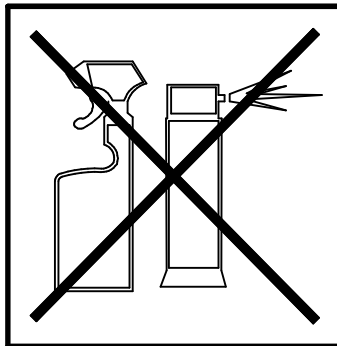
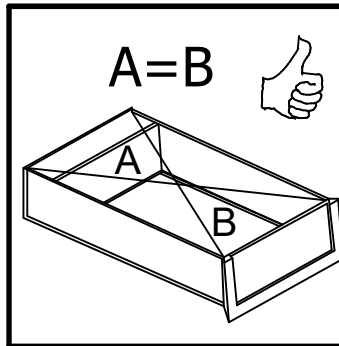
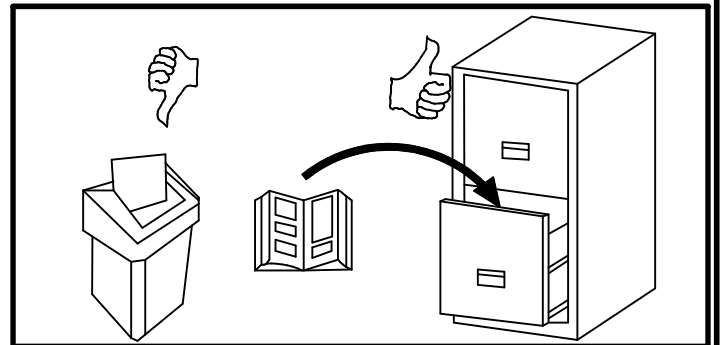
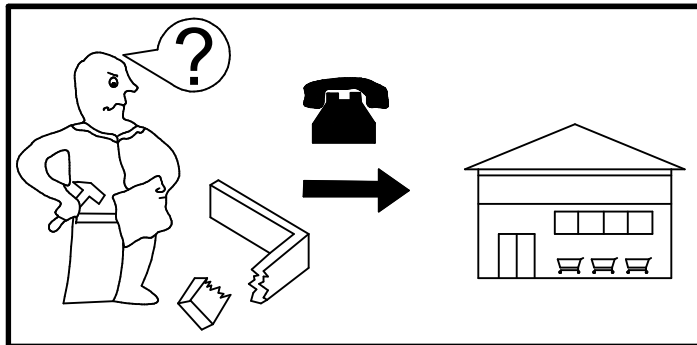
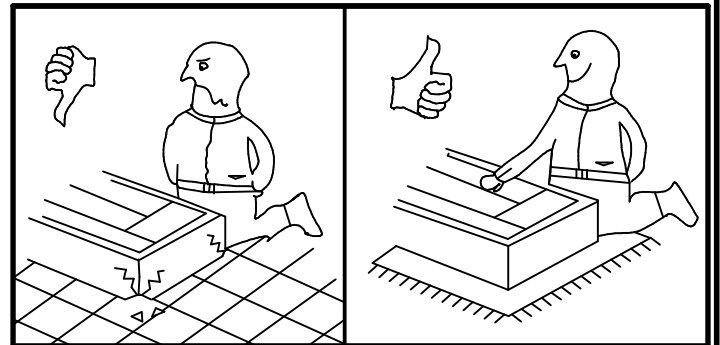
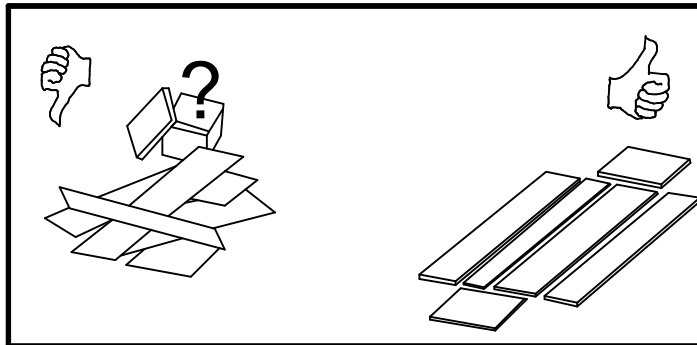
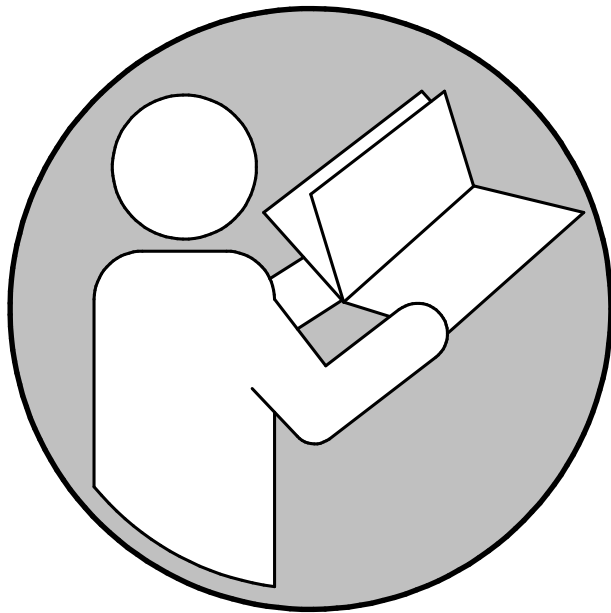


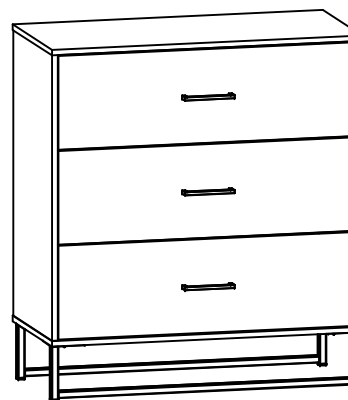
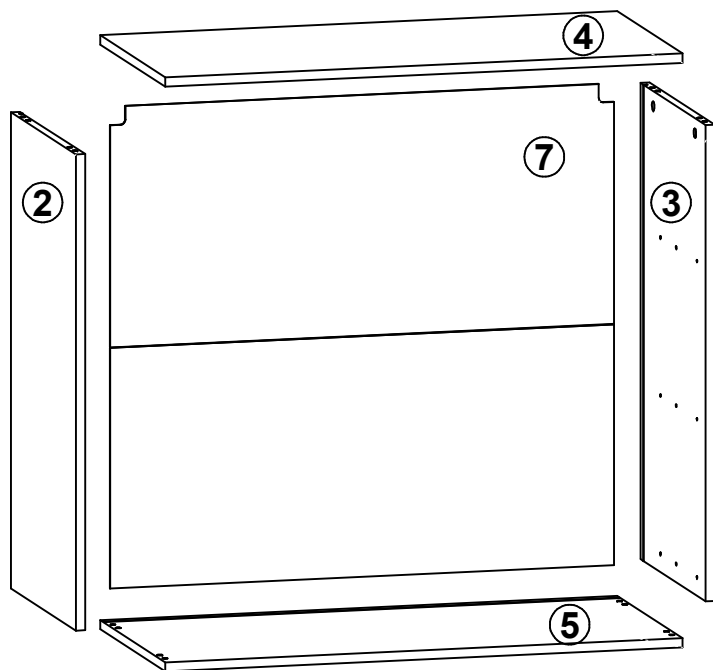
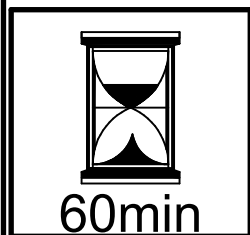
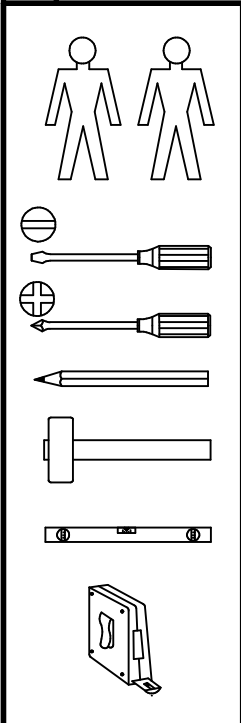
Zorras

Industrial 3 drawer chest



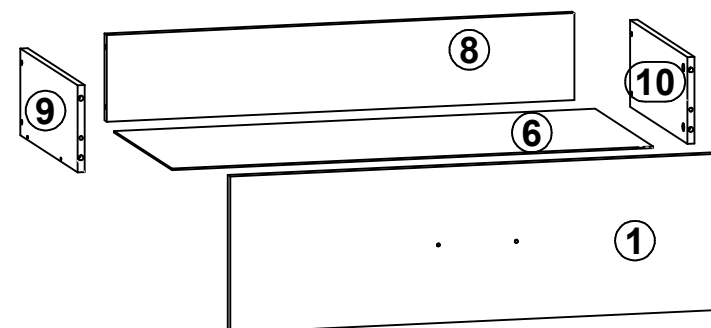
5059340160351, 5059340160528





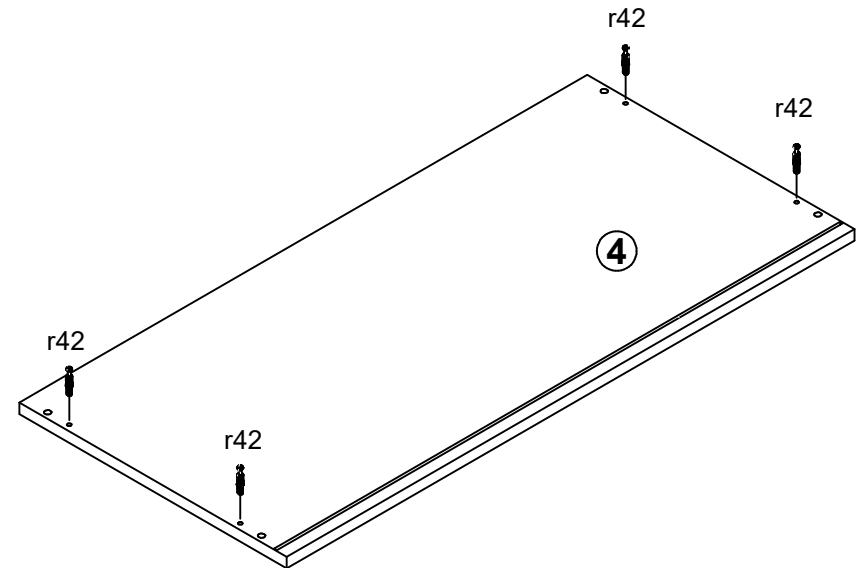
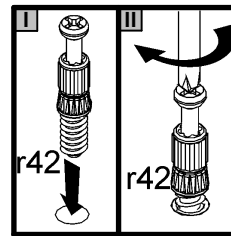
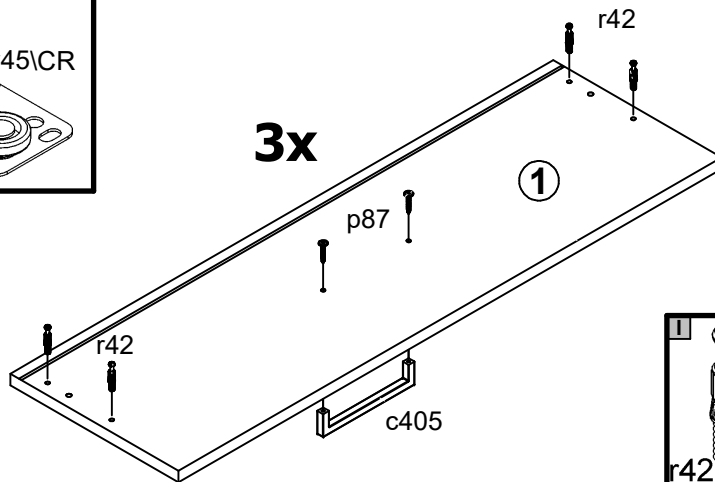
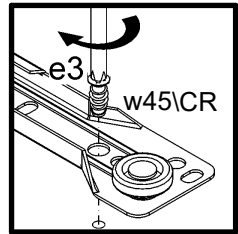
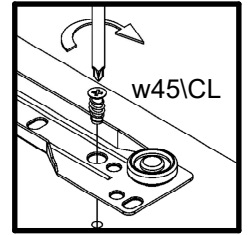
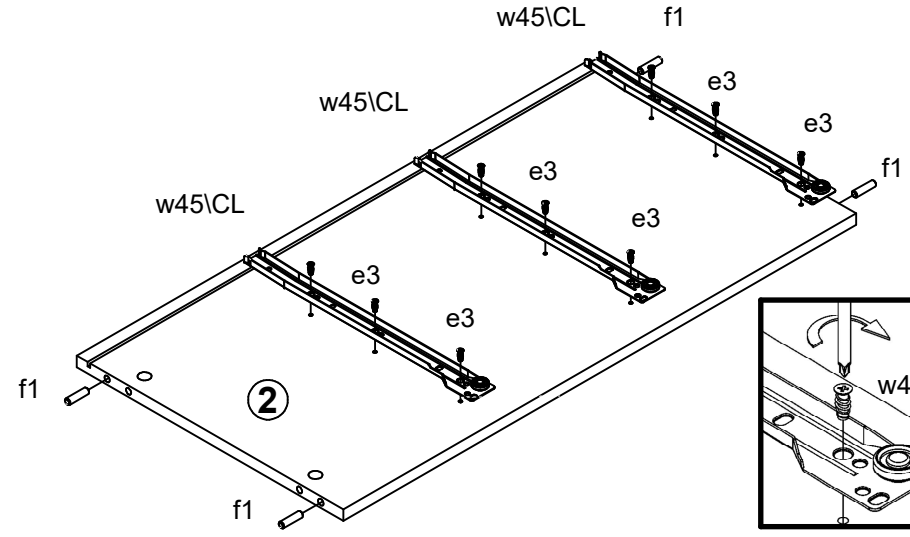
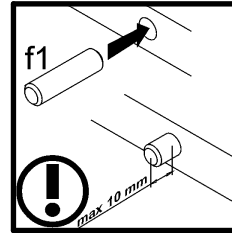
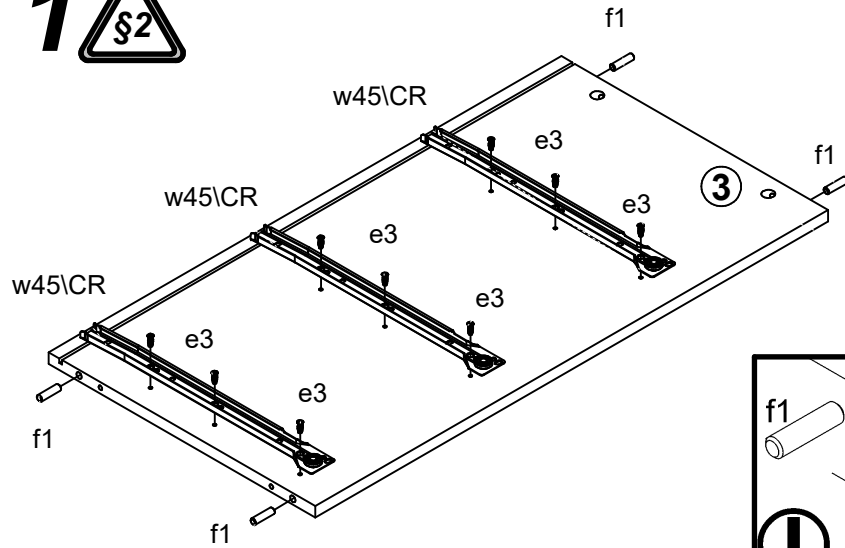
A	B	C (mm)			D
1	S480-0001	813	252	15	1/2
2	S480-1001	768	399	15	1/2
3	S480-1002	768	399	15	1/2
4	S480-2001	850	400	15	1/2
5	S480-2002	850	400	15	1/2
6	S480-9001	791	357	2,5	1/2
7	S480-9301	828	777	2,5	1/2
8	ZS7-5069	769	140	15	1/2
9	ZS7-513	350	140	12	1/2
10	ZS7-514	350	140	12	1/2

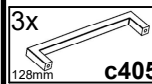
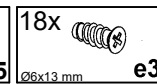
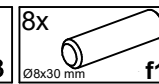
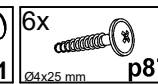
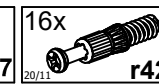

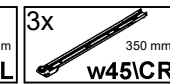
3x

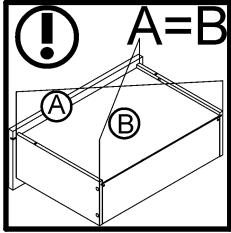
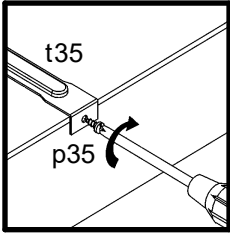
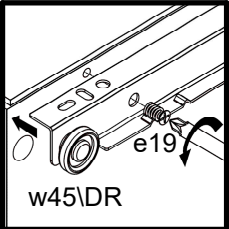
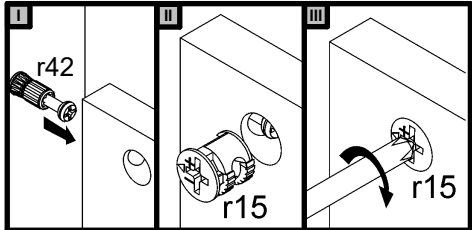
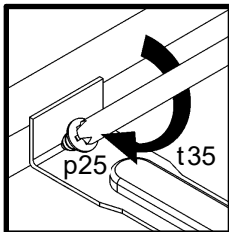
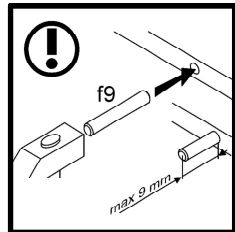
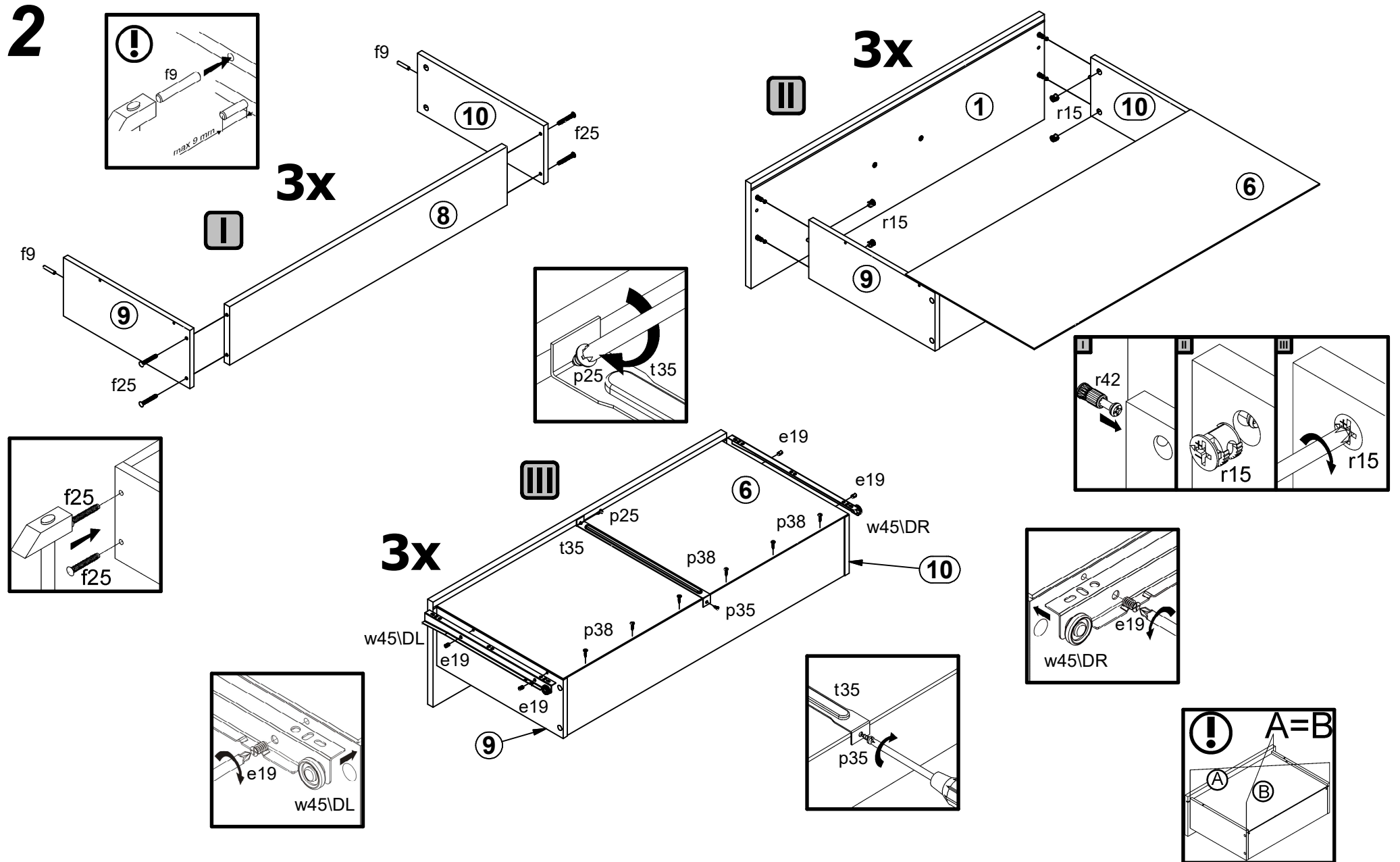


3x 128mm c405	4x Ø7x50 mm e1	12x Ø5x9 mm e19	18x Ø6x13 mm e3	16x Ø6,3x13 mm e2	8x Ø8x30 mm f1	12x Ø6,5x40 mm f25	2x Ø10x50 mm f35	6x Ø6x30 mm f9	12x M5x12 mm j173	4x k133l2	4x k133l3	4x 20x20 k133l5
2x L-806mm 18x18 k133lxx21	8x l2	2x 86x21x15/1,5 n14l2	2x Ø5x60 mm p17	3x Ø3,5x16 mm p25	3x Ø3,5x10 mm p35	22x Ø3,5x16 mm p38	6x Ø4x25 mm p87	4x Ø15x12 mm #16 r1	12x Ø12x10,5 mm #12 r15	16x 20/11 r42	3x 350 mm t35	3x 350 mm w45lCL
3x 350 mm w45lCR	3x 350 mm w45lDL	3x 350 mm w45lDR	1x 4 mm z1	1x 3 mm z22								

1 

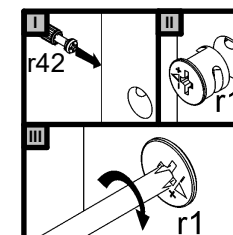
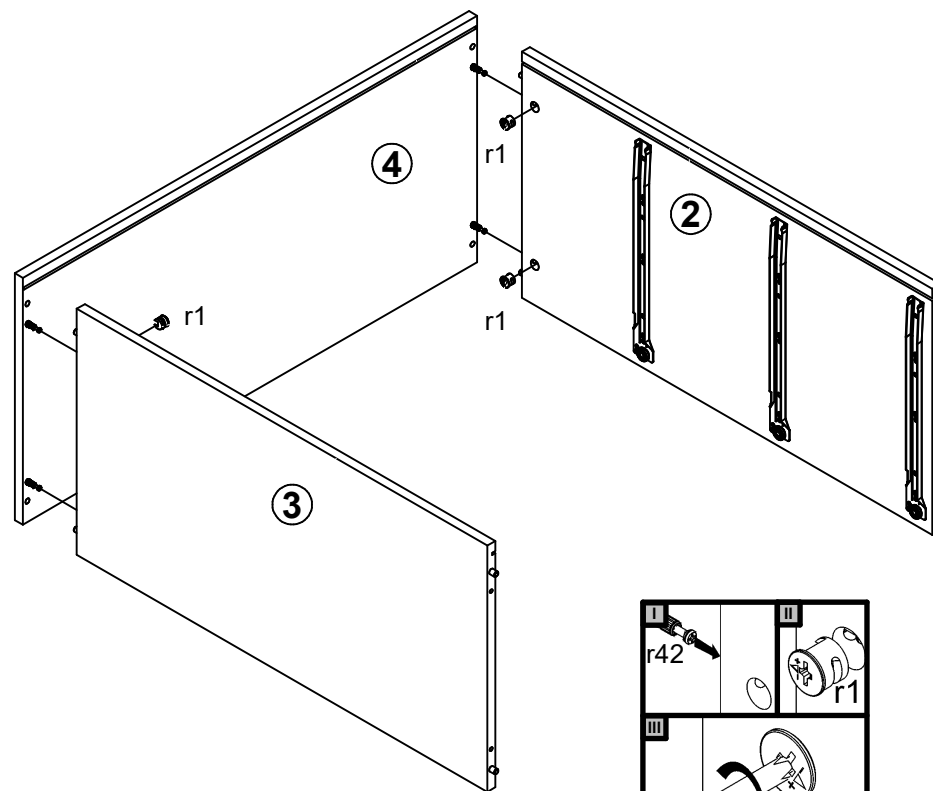
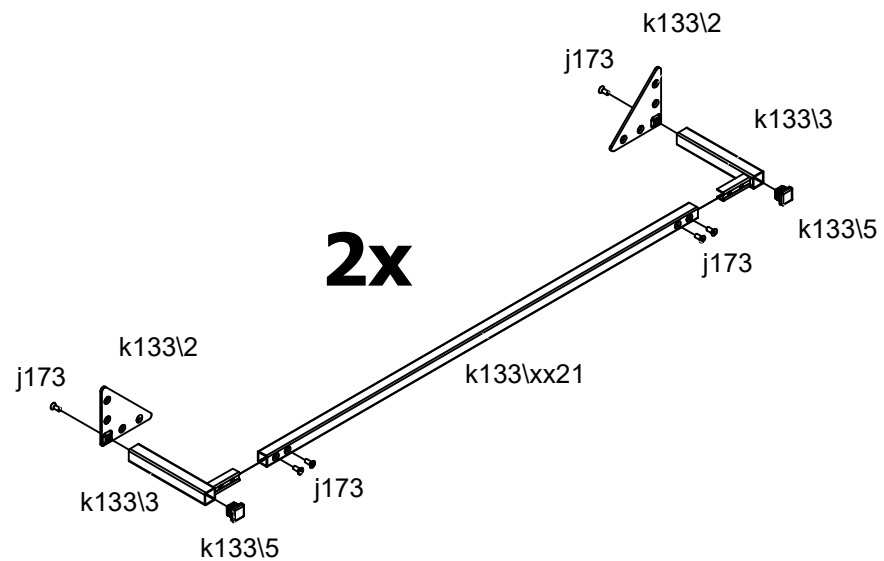


- | | | | | | | |
|--|---|---|---|---|--|---|
|  |  |  |  |  |  |  |
|--|---|---|---|---|--|---|



- 12x Ø5x9 mm e19
- 6x Ø6x30 mm f9
- 12x Ø6.5x40 mm f25
- 3x Ø3.5x16 mm p25
- 3x Ø3.5x10 mm p35
- 18x Ø3.5x16 mm p38
- 12x Ø12x10.5 mm #12 r15
- 3x 350 mm t35
- 3x 350 mm w45\DL
- 3x 350 mm w45\DR

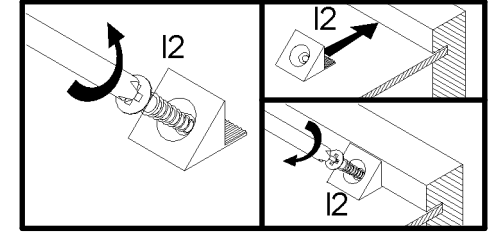
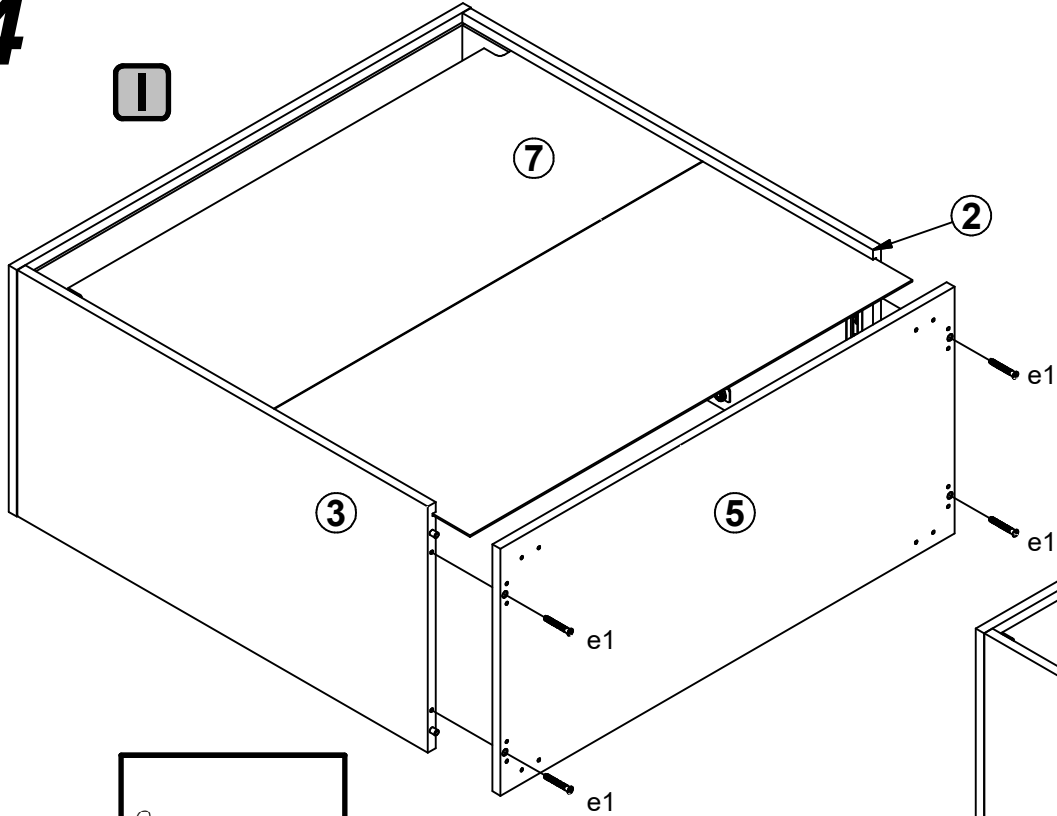
3



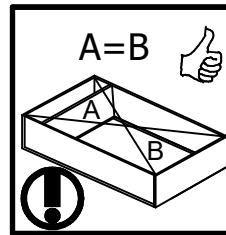
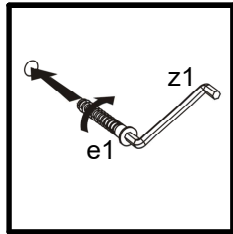
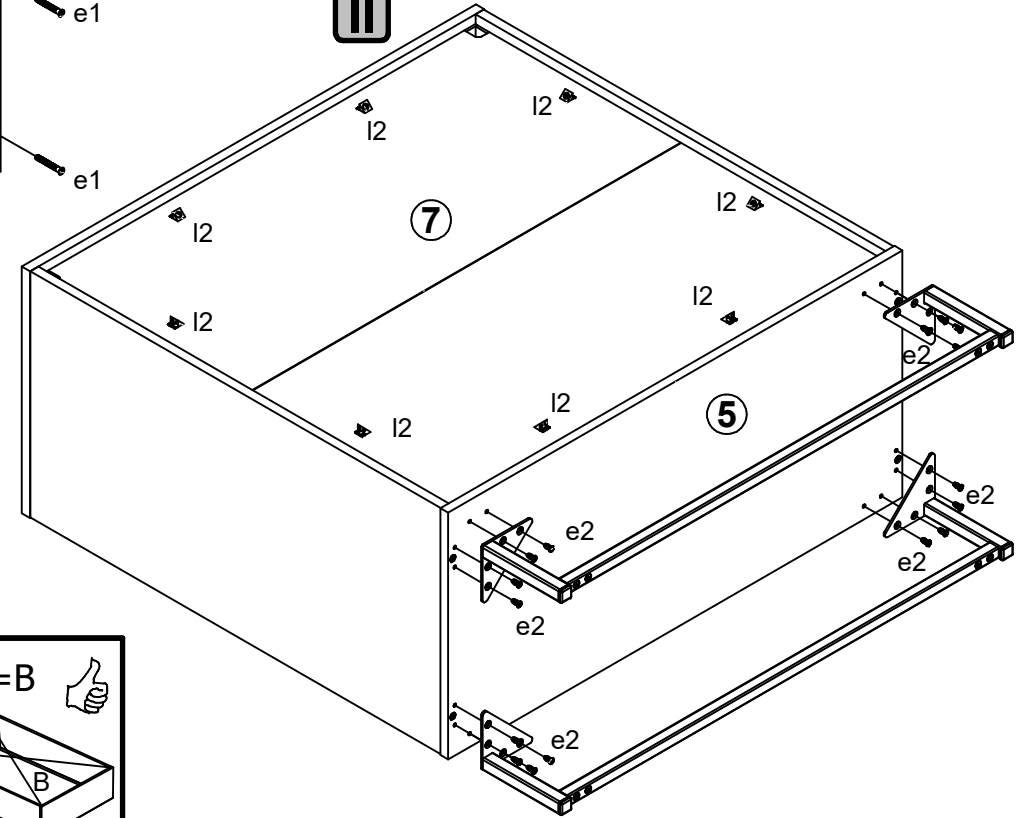
- | | | | | | |
|-------------------------|--------------|--------------|-----------------------|-------------------------------------|---------------------------|
| 12x
M5x12 mm
j173 | 4x
k133\2 | 4x
k133\3 | 4x
20x20
k133\5 | 2x
L-806mm
18x18
k133\lx21 | 4x
Ø15x12 mm #16
r1 |
|-------------------------|--------------|--------------|-----------------------|-------------------------------------|---------------------------|




4

I

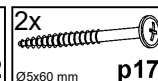
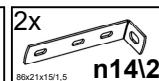
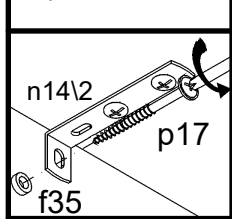
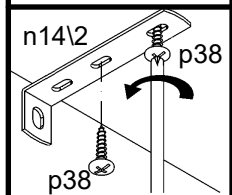
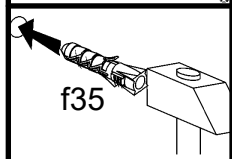
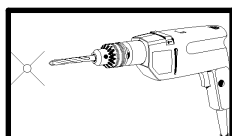
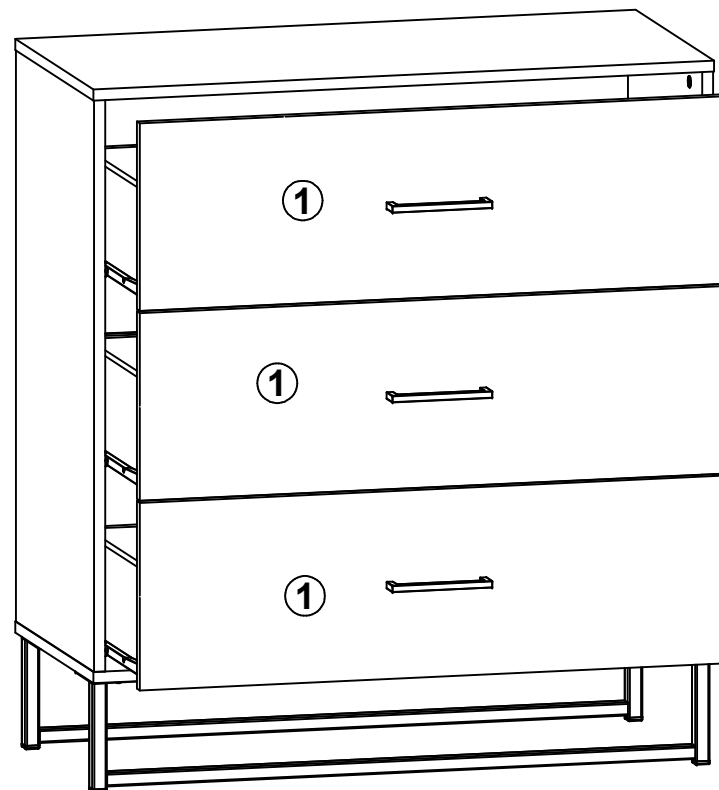
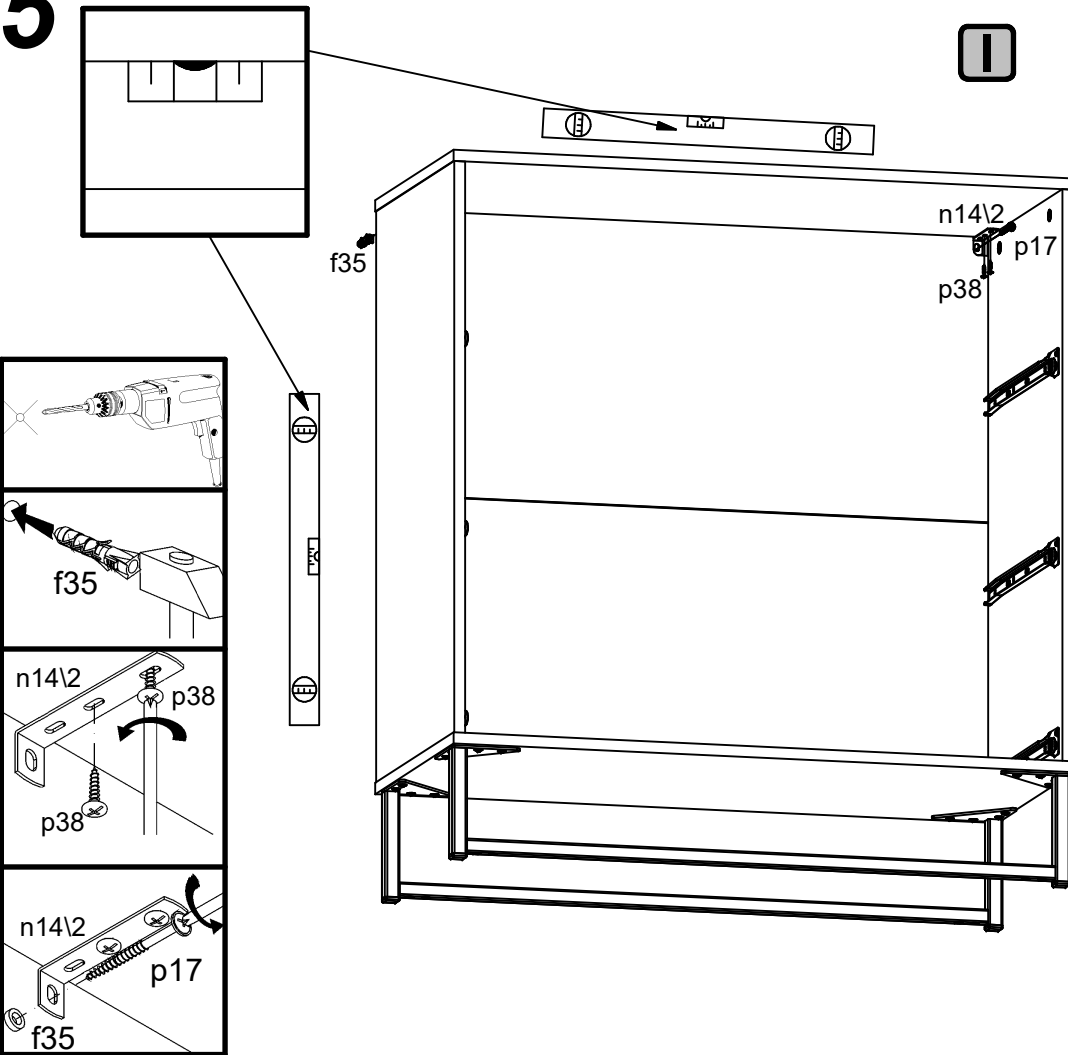


II



- 4x  e1 Ø7x50 mm
- 16x  e2 Ø6.3x13 mm
- 8x  l2

5



EN Before you start

Check the pack and make sure that you have all parts listed above. If not contact by our local store who will be able to help you.

When you are ready to start, make sure that you have the right tools on hands, plenty of space and a clean dry area for furniture assembly.

Ensure there are no hidden service pipes and cables where you intended to drill.

We do not recommend the use of power screwdrivers for the assembly of this product.

Always ensure that screws locate exactly into pre-drilled pilot holes.

Take care not to overtighten any of the screws.

CAUTION: Screws and wall plugs not included, if you are unsure, take professional advice.

Safety

IMPORTANT - RETAIN THIS INFORMATION FOR FUTURE REFERENCE: READ CAREFULLY.

For domestic use only.

The maximum loads shown may be lower depending on wall condition.

Installation must be carried out following the manufacturer's instructions exactly.

Make sure that the wall mounting furniture is mounted on the wall in an adequate manner.

WARNING: In order to prevent falling down this product must be used with the wall attachment device provided.

WARNING: Installation must be performed by a competent person only. This product could be dangerous, cause injury or damage to property if incorrectly installed.

Some parts could be hazardous to small children.

Keep all parts out of reach and do not leave children unattended in the assembly area.

Prevent children from climbing or hanging on the drawers, doors or shelves.

If you are in any doubts as to how to install this product, consult a technically competent person.

CAUTION: Always ensure the product is securely fitted before use.

Do not let children play with this product.

Guarantee

We take special care to select high quality materials and use manufacturing techniques that allow us to create products incorporating design and durability. This product has a manufacturer's guarantee of 1 year against manufacturing defects, from the date of purchase (if bought in store) or date of delivery (if bought online), at no additional cost for normal (non-professional or commercial) household use.

To make a claim under this guarantee, you must present your proof of purchase (such as a sales receipt, purchase invoice or other evidence admissible under applicable law), please keep your proof of purchase in a safe place. For this guarantee to apply, the product you purchased must be new, it will not apply to second hand or display products. Unless stated otherwise by applicable law, any replacement product issued under this guarantee will only be guaranteed until expiry of the original guarantee period.

This guarantee covers product failures and malfunctions provided the product was used for the purpose for which it is intended and subject to installation, cleaning, care and maintenance in accordance with the information contained in these terms and conditions, in the user manual and standard practice, provided that standard practice does not conflict with the user manual.

This guarantee does not cover defects and damage caused by normal wear and tear or damage that could be the result of improper use, faulty installation or assembly, neglect, accident, misuse, or modification of the product. Unless stated otherwise by applicable law, this guarantee will not cover, in any case, ancillary costs (shipping, movement, costs of uninstalling and reinstalling, labour etc), or direct and indirect damage.

If the product is defective, we will, within a reasonable time, provide spare parts, or proceed with a partial or complete replacement.

Rights under this guarantee are enforceable in the country in which you purchased this product. Guarantee related queries should be addressed to the store you purchased this product from.

The guarantee is in addition to and does not affect your statutory rights.

Rights under this guarantee are enforceable in the country in which you purchased this product. Guarantee related queries should be addressed to the store you purchased this product from.

The guarantee is in addition to and does not affect your statutory rights.