

**DO NOT PRINT THIS PAGE -
IT IS FOR INFORMATION ONLY**

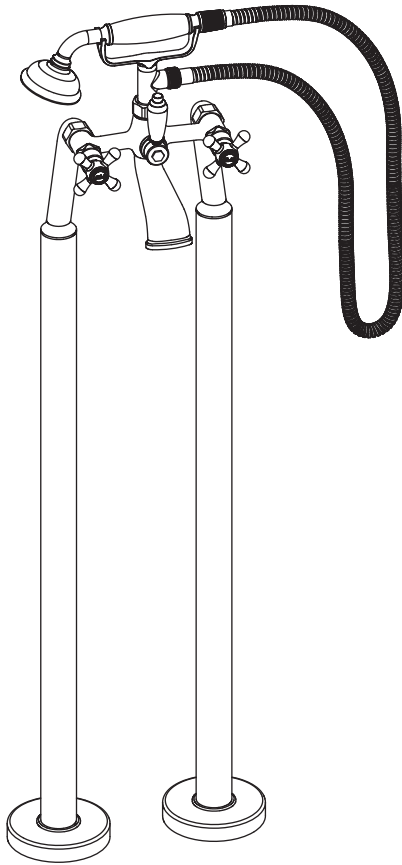


Artwork done by Impala Services Ltd
Info@impala-tach.com



SEPARATIONS	JOB INFO				
 <p>PROCESS BLACK</p>	KNG #: KNG-953-0010 Agency Job #: PRJ24775 Product Description: Freestanding Bath/Shower Mixer		Kingfisher Contact: Francois Morel EAN: 5059340582672 Vendor: PPI No. of New Line Drawings: 0 Page Size: A5 / No. of Pages:		
	VERSION #				
	1 03/04/22 Mohit	2 10/05/22 Mohit	3 XX/XX/21 XXX	4 XX/XX/21 XXX	5 XX/XX/21 XXX
<p>This file is the property of Kingfisher Group Plc. No copying, alteration or amendment is permitted without written authorisation from the Kingfisher Brand Team.</p> <p>翠丰集团不会以专色(PMS)作参考, 请参照已提供的印刷标准及Lab色彩数值生产以符合印刷品之标准。本文件的版权归翠丰集团所有。未经翠丰品牌团队的书面同意, 不得对本文件进行复制、变更或修改。</p>					

EN Freestanding Bath/ Shower Mixer

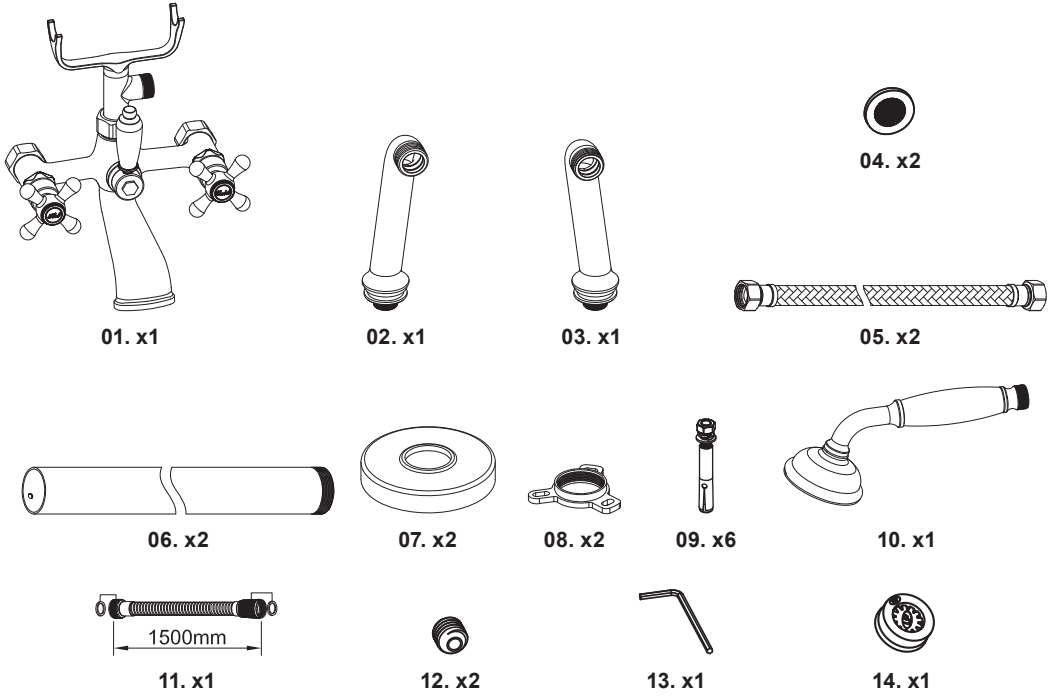


EN IMPORTANT - These instructions are for your safety. Please read through them thoroughly prior to handling the product and retain them for future reference.

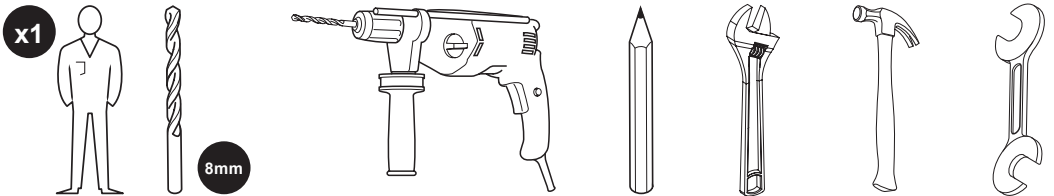
V10522_5059340582672_BX220IM

5059340582672

EN Parts



EN You will need



EN Contents

EN	
Safety	3
Guarantee	4
Assembly	5



EN Safety

- For domestic use only.



CAUTION: DO NOT OVERTIGHTEN THE FIXINGS OTHERWISE IT MAY DAMAGE THE PRODUCT.



CAUTION: NOT SUITABLE FOR USE IN CONJUNCTION WITH INSTANTANEOUS WATER HEATERS (E.G. AN INSTANTANEOUS WATER HEATER WITHOUT MODULATION AND WITHOUT WATER TANK).

- Care should be taken when drilling into walls to avoid any hidden pipes or wires.
- When drilling through ceramic tiles use a specialist drill bit.
- Where possible drill between tiles in the grout.



CAUTION: ALWAYS ENSURE THE PRODUCT IS SECURELY INSTALLED BEFORE USE.

- When the installation is complete, turn the water supply on and check for leaks on connection points.
- Failure to follow these instructions may result in personal injury, damage to the product and property damage.
- Prevention of frost damage.
- When the domestic water system is drained, thermostat mixers must be drained separately, since non-return valves are installed in the hot and cold water connections. For this purpose, the mixer must be removed from the wall.
- Always be aware of the danger of scalding from hot water. Ensure users are aware of the maximum temperature especially if the temperature stop has been adjusted.

- Never twist or kink the hose or otherwise restrict the water flow whilst in use.

Getting started...

- Check to make sure you have all of the parts listed.
- When you are ready to start, make sure you have the right tools to hand, plenty of space and a dry area for assembly.
- Ensure the mounting surface is sound, clean, dry and level before this full system is installed.
- **Please note:** The wall plugs included with this product are suitable for solid walls only. Plasterboard or stud walls may require specialised fixings which are not provided. (Always ensure that the wall plugs or fittings are correct for the wall type.)
- It is important that both supply pipes are flushed before connecting mixing valves to ensure no pipe/plumbing debris enters the mixing valves.
- **TURN OFF WATER MAINS SUPPLY.** The mains stopcock is usually situated where the supply enters the building.
- It is also recommended that the water heating arrangements are turned off.
- Isolate the hot and cold water supply.
- Operating Pressure: Maximum 5 Bar.
- This product has been tested to and meets the requirements of the Water Supply (Water Fittings) Regulations. (UK only).
- This product must be connected to a water supply in accordance with the Water Supply (Water Fittings) Regulations and UK Building Regulations. If you are in any doubt about these requirements contact a qualified plumber, your local Water Company or the Water Regulations Advisory Scheme (WRAS). (UK only).
- Always maintain a 10°C difference between the hot system temperature and the maximum hot temperature setting of the valve.
- Hot and Cold maximum pressure differential should be no more than 2 bars. If this limit is exceeded, fit a pressure reducing valve (not supplied).
- Operating pressures on hot and cold lines should be kept as even as possible in order to ensure the maximum efficiency of the mixer.

- When water pressure is higher than 5 bar a pressure reducing valve (not supplied) must be fitted before the mixer.
- Flow restrictors (not supplied) can be fitted into the wall unions, if available, to reduce water consumption on high pressure systems.
- Each shower valve is supplied with integral non return valves in the hot and cold inlet tail pieces to prevent cross flow and cross contamination of the water supplies.
- The safety stop limits the temperature range to 38°C. The 38°C limit can be overridden by pressing the safety stop button and this temperature can be preset during installation.

In more detail...

- Use warm soapy water and a soft damp cloth to clean the surface of the product. Wipe dry with a clean cloth.
- Never use any solvents, scourers, abrasives, bleach, acids, strong detergents, aggressive chemical cleaners or solventtype cleaning solutions on the product.
- It is recommended to check all fittings for security and tightness at regular intervals.

Guarantee

We take special care to select high quality materials and use manufacturing techniques that allow us to create products incorporating design and durability. This product has a manufacturer's guarantee of 5 years against manufacturing defects, from the date of purchase (if bought in store) or date of delivery (if bought online), at no additional cost for normal (non-professional or commercial) household use.

To make a claim under this guarantee, you must present your proof of purchase (such as a sales receipt, purchase invoice or other evidence admissible under applicable law), please keep your proof of purchase in a safe place. For this guarantee to apply, the product you purchased must be new, it will not apply to second hand or display products. Unless stated otherwise by applicable law, any replacement product issued under this guarantee will only be guaranteed until expiry of the original period guarantee period.

This guarantee covers product failures and malfunctions provided the product was used for the purpose for which it is intended and subject to installation, cleaning, care and maintenance in accordance with the information contained in these terms and conditions, in the user manual and

standard practice, provided that standard practice does not conflict with the user manual.

This guarantee does not cover defects and damage caused by normal wear and tear or damage that could be the result of improper use, faulty installation or assembly, neglect, accident, misuse, or modification of the product. Unless stated otherwise by applicable law, this guarantee will not cover, in any case, ancillary costs (shipping, movement, costs of uninstalling and reinstalling, labour etc), or direct and indirect damage.

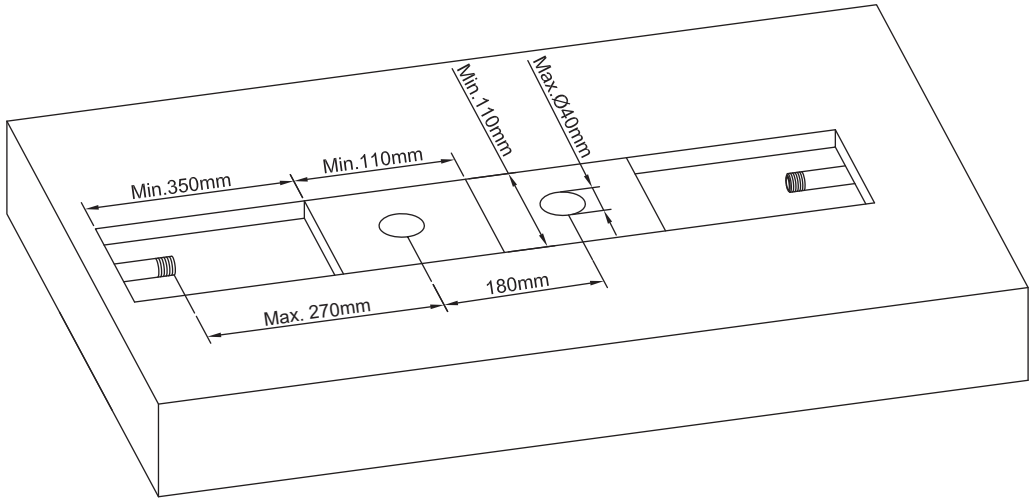
If the product is defective, we will, within a reasonable time, replace.

Rights under this guarantee are enforceable in the country in which you purchased this product. Guarantee related queries should be addressed to the store you purchased this product from.

The guarantee is in addition to and does not affect your statutory rights.

**IMPORTANT - RETAIN
THIS INFORMATION
FOR FUTURE
REFERENCE:
READ CAREFULLY**

01



02



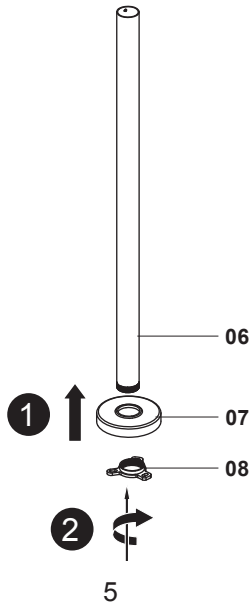
06. x2



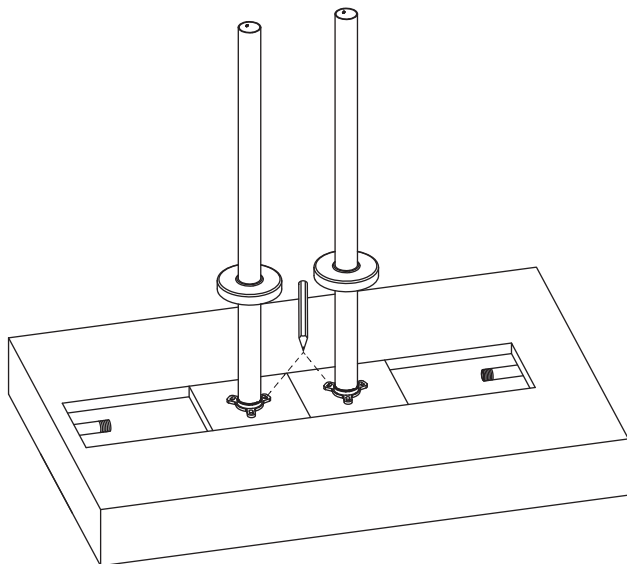
07. x2



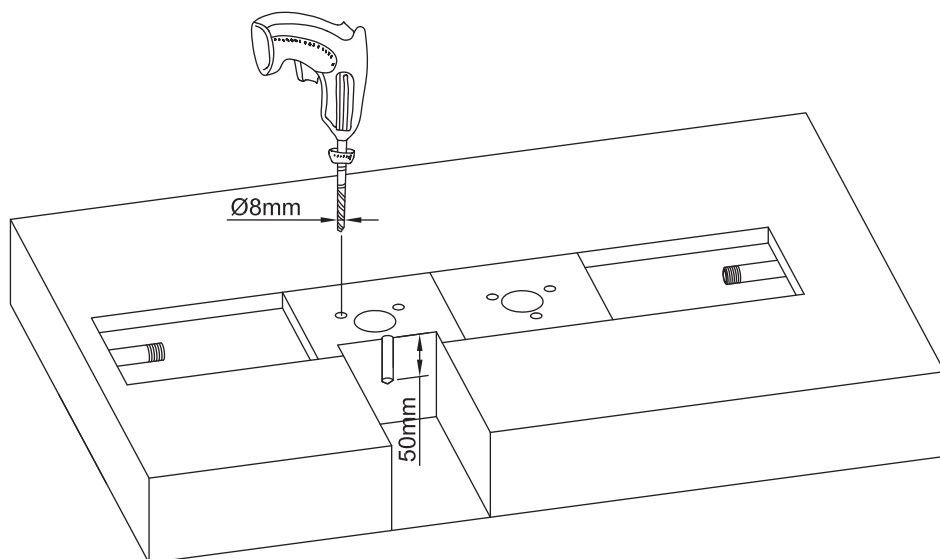
08. x2



03

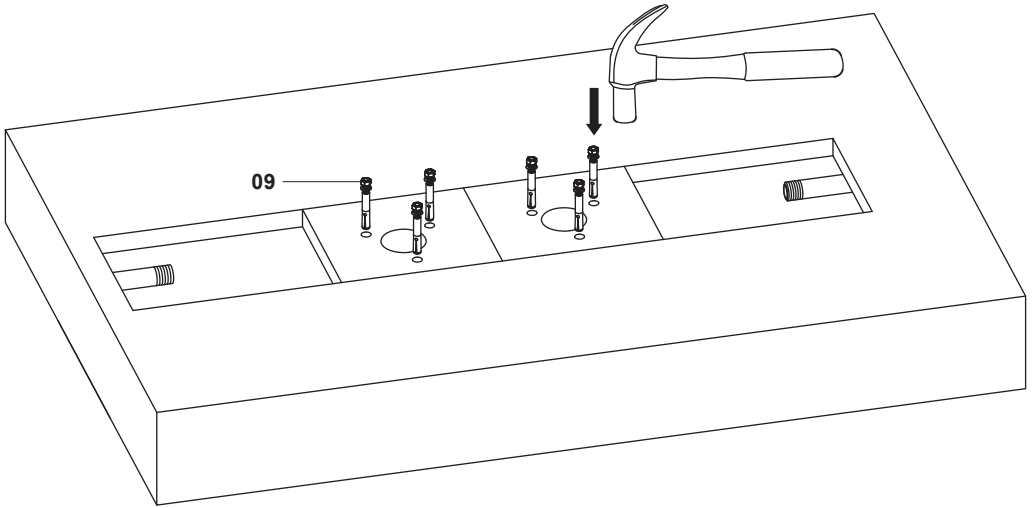


04

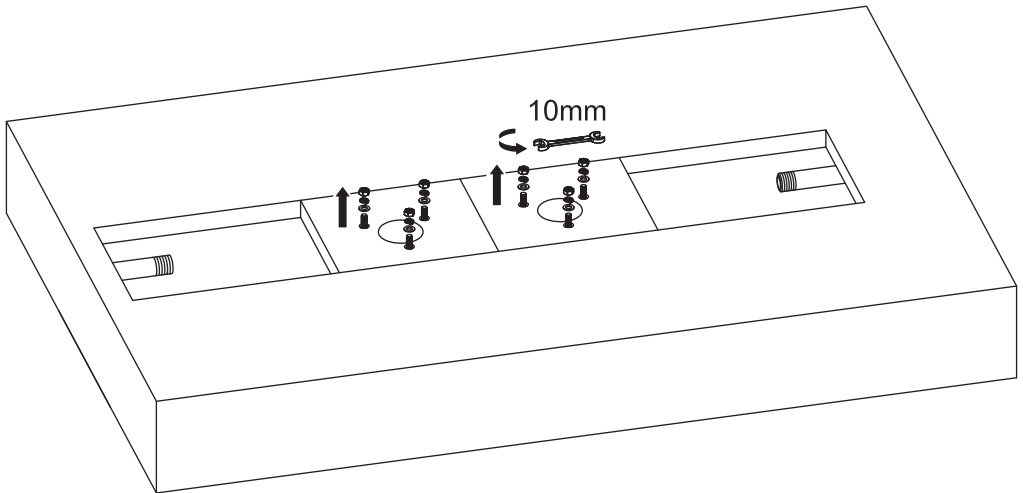


05

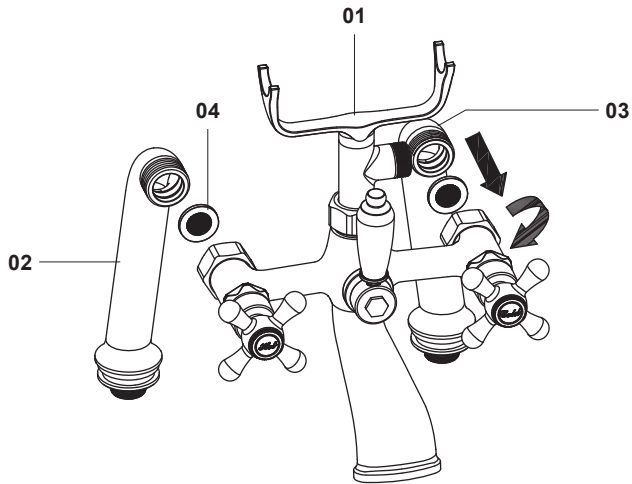

09. x6



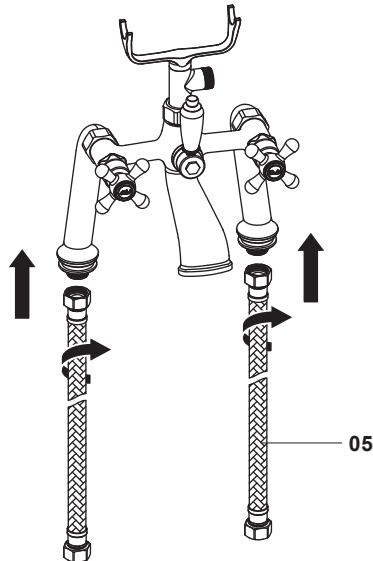
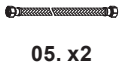
06



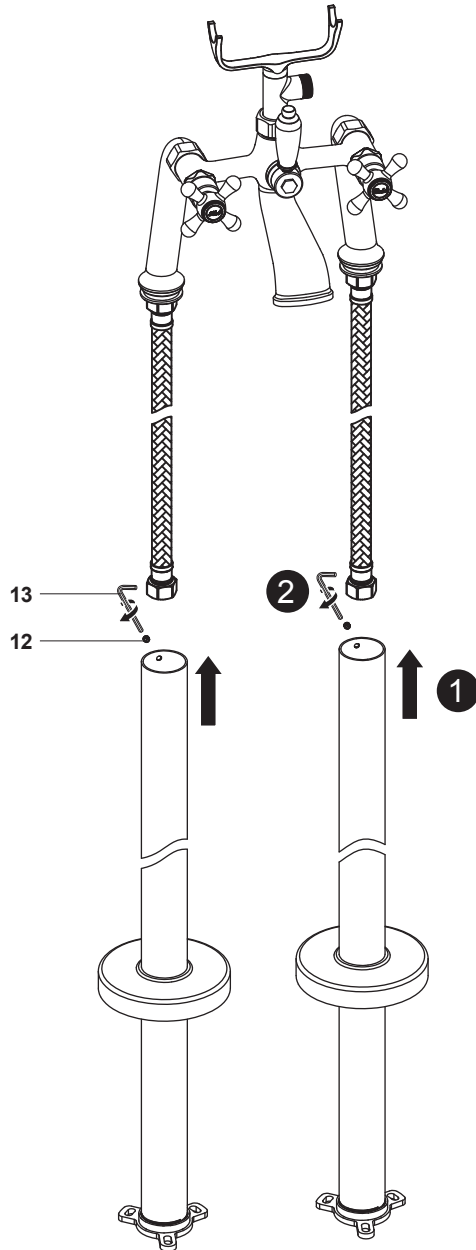
07



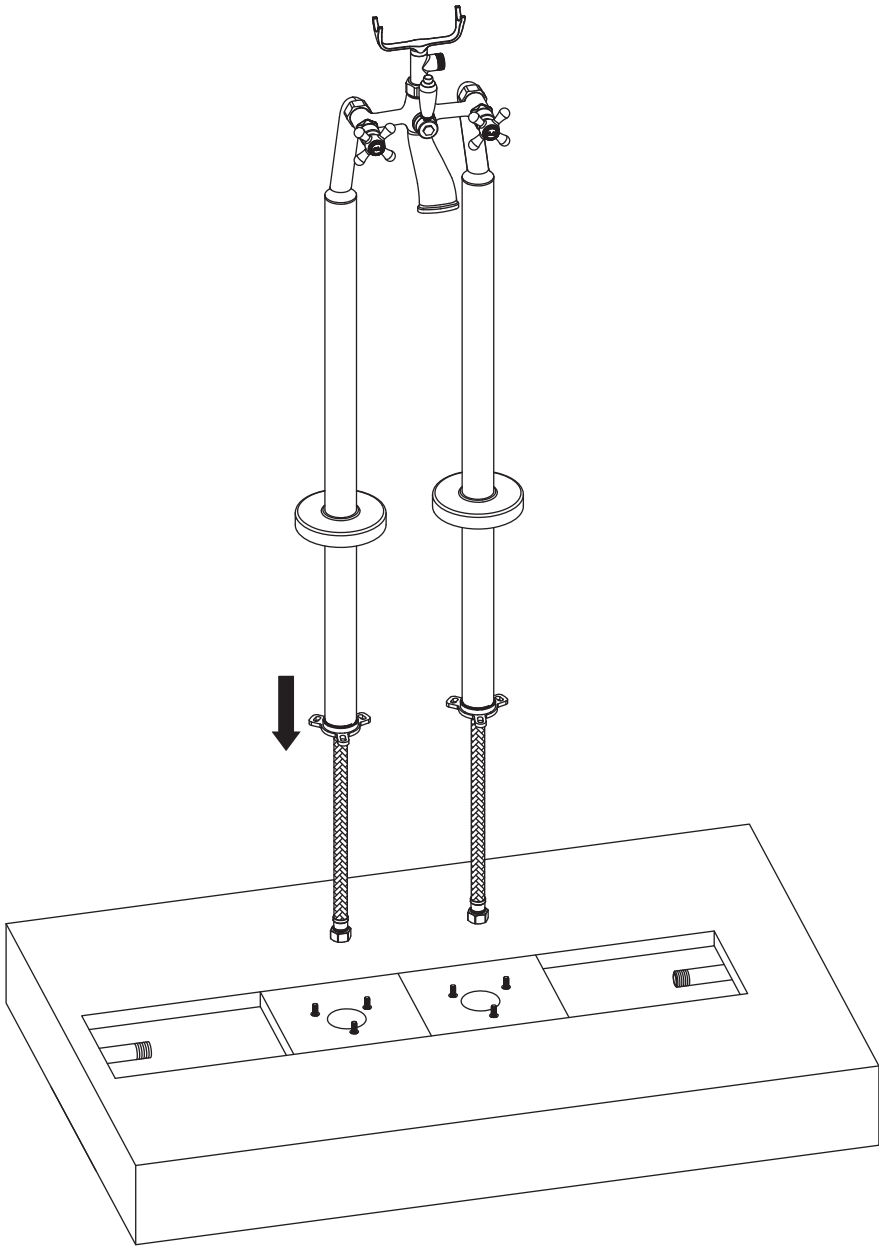
08



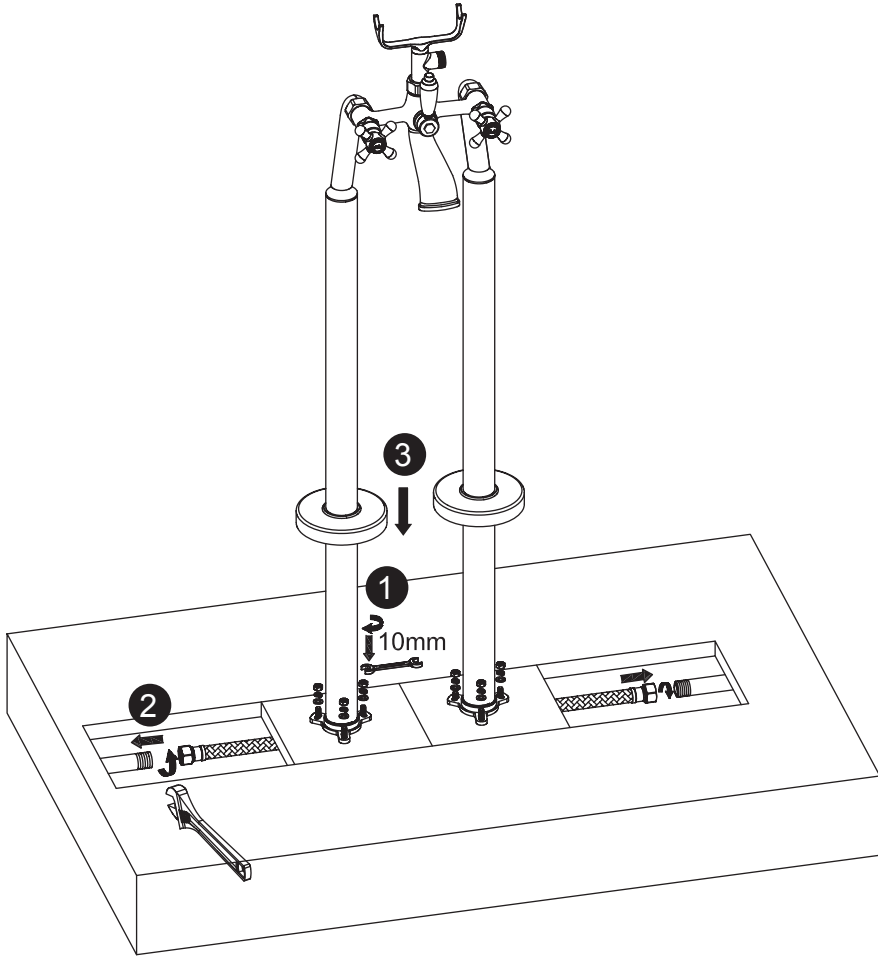
09



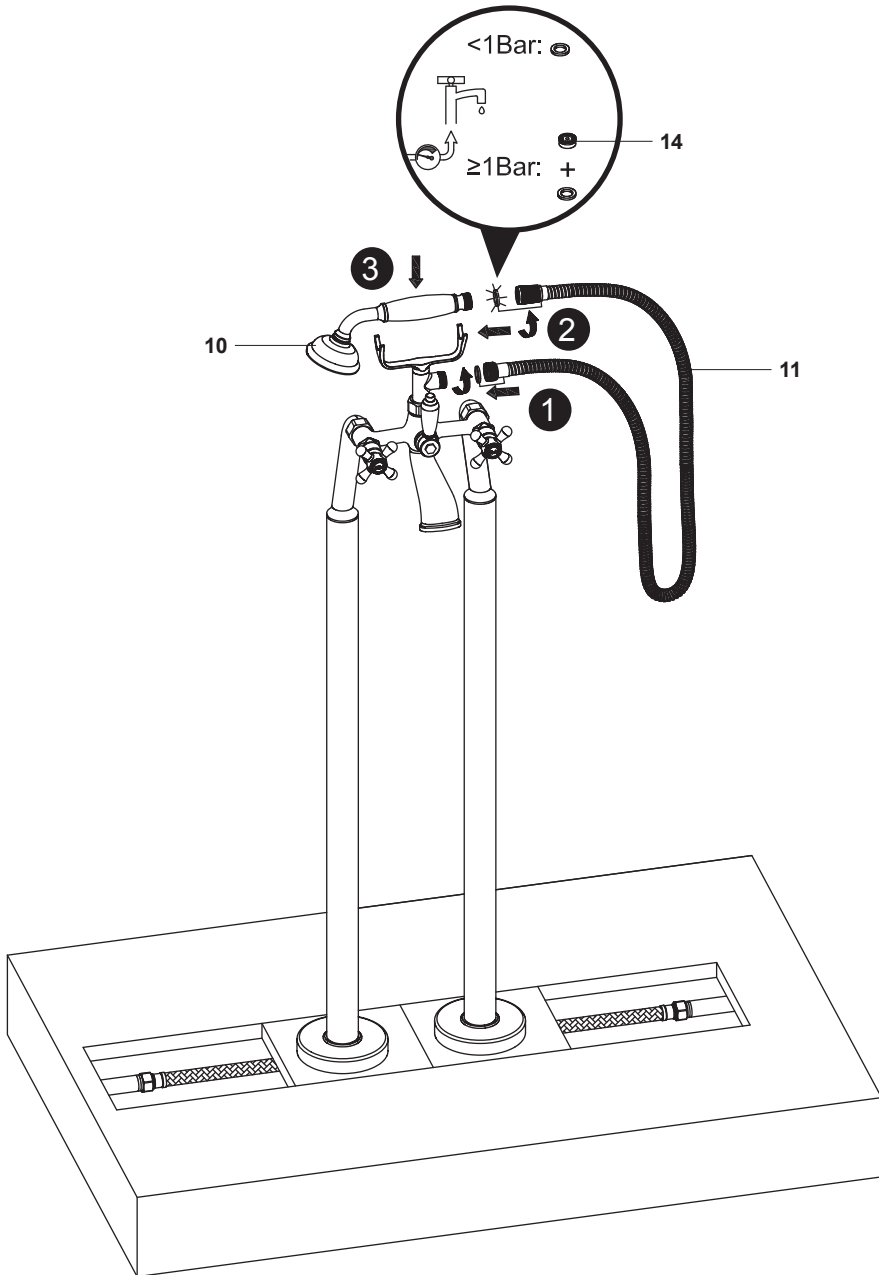
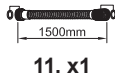
10

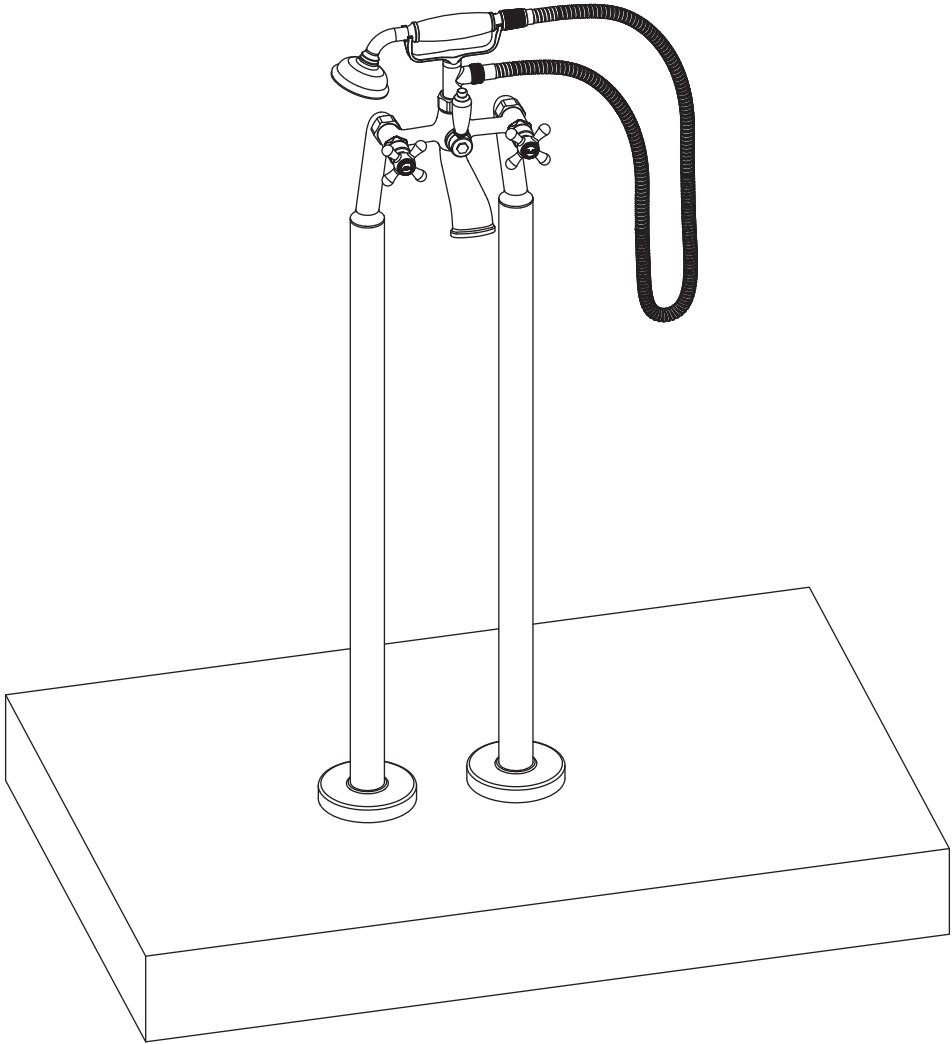


11



12





Manufacturer:
UK Manufacturer:
Kingfisher International Products Limited,
3 Sheldon Square, London, W2 6PX
United Kingdom

EN www.screwfix.com
www.screwfix.ie
To view instruction manuals online,
visit www.kingfisher.com/products