

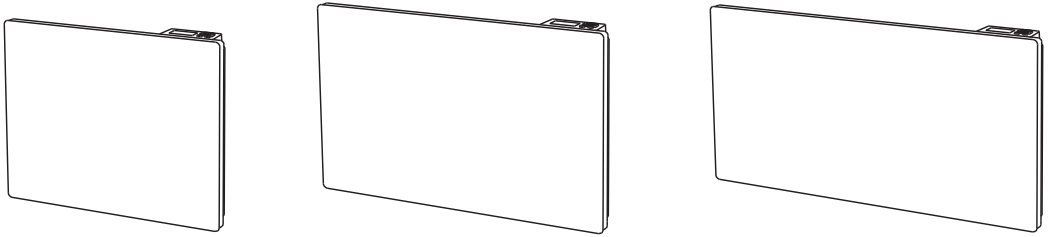
EN Radiant panel electric radiator

EN IMPORTANT - These instructions are for your safety. Please read through them thoroughly prior to handling the product and retain them for future reference. This product is only suitable for well insulated spaces or occasional use.

V10524_5059340986869_MAND2_2324

5059340986869
5059340986654
5059340986661
5059340986678
5059340986753
5059340986777
5059340986791
5059340986814
5059340986838
5059340986845
5059340986876
5059340986890

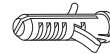
EN Parts



01. x1

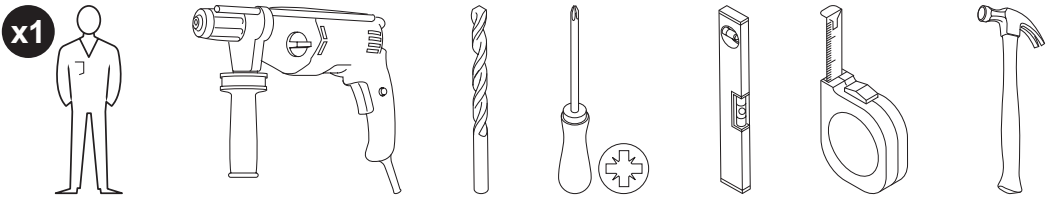


02. x4



03. x4

EN You will need



EN Contents

EN	
Safety	3
Guarantee	5
Installation	9
Function & setting	12
Care & maintenance	20



EN

Before you start

- For domestic use only.
- Never allow children or persons unable to operate the appliance safely to use this appliance without supervision.
- Please dispose of plastic bags carefully and keep them away from children.

Safety

PLEASE READ SAFETY INSTRUCTIONS CAREFULLY BEFORE USING THE UNIT.

- This appliance can be used by children aged from 8 years and above and persons with reduced physical, sensory or mental capabilities or lack of experience and knowledge if they have been given supervision or instruction concerning use of the appliance in a safe way and understand the hazards involved. Children shall not play with the appliance. Cleaning and user maintenance shall not be made by children without supervision.

- Children of less than 3 years should be kept away unless continuously supervised.
- Children aged from 3 years and less than 8 years shall only switch on/off the appliance provided that it has been placed or installed in its intended normal operating position and they have been given supervision or instruction concerning use of the appliance in a safe way and understand the hazards involved.
- Children aged from 3 years and less than 8 years shall not plug in, regulate and clean the appliance or perform user maintenance.



CAUTION: SOME PARTS OF THIS PRODUCT CAN BECOME VERY HOT AND CAUSE BURNS. PARTICULAR ATTENTION HAS TO BE GIVEN WHERE CHILDREN AND VULNERABLE PEOPLE ARE PRESENT.

- If the supply cord is damaged, it must be replaced by the manufacturer, its service agent or similarly qualified persons in order to avoid a hazard.
- The heater must not be located immediately below a socket-outlet.



WARNING: IN ORDER TO AVOID OVERHEATING, DO NOT COVER THE HEATER.

- Do not use this heater with a programmer, timer, separate remote control system or any other device that turns on the heater automatically because there is a risk of fire if the device is covered or placed incorrectly.







CAUTION: IN ORDER TO AVOID A HAZARD DUE TO INADVERTENT RESETTING OF THE THERMAL CUTOUT, THIS APPLIANCE MUST NOT BE SUPPLIED THROUGH AN EXTERNAL SWITCHING DEVICE,

SUCH AS A TIMER, OR CONNECTED TO A CIRCUIT THAT IS REGULARLY SWITCHED ON AND OFF BY THE UTILITY.

- This heater must not be disposed of with household waste; it must be taken to a local centre of recovery and recycling of electrical appliances.
- The heater is to be installed so that switches and other control devices can not be touched by a person in the bath or shower.
- Means for disconnection must be incorporated in the fixed wiring in accordance with the wiring rules.
- If being fitted in a bathroom, a 30mA RCD must be used.
- With respect to the details of how to install the appliance onto the wall, refer to "INSTALLATION".

Technical Data

Model	HD10-23ME / HD15-23ME / HD20-23ME
Voltage & Frequency	220-240 V~ 50 Hz
Power (Watt)	840-1000 W / 1250-1500 W / 1680-2000 W
Product dimension L x H x W (in mm)	540 x 450 x 120 / 690 x 450 x 120 / 840 x 450 x 120
	This product complies with conformity requirements of the applicable European Regulations or Directives.
	This product complies with conformity requirements of the applicable UK Regulations.
	Class II product - Double Insulated - No earth required.
IP24	Protected against water splashing in all directions.
	Waste electrical products should not be disposed of with household waste. Please recycle where facilities exist. Check with your Local Authority or local store for recycling advice.
yyWxx	yy-year; xx-week of the year

Guarantee

We take special care to select high quality materials and use manufacturing techniques that allow us to create products incorporating design and durability. This product has a manufacturer's guarantee of 2 years against manufacturing defects, from the date of purchase (if bought in store) or date of delivery (if bought online), at no additional cost for normal (non-professional or commercial) household use.

To make a claim under this guarantee, you must present your proof of purchase (such as a sales receipt, purchase invoice or other evidence admissible under applicable law), please keep your proof of purchase in a safe place. For this guarantee to apply, the product you purchased must be new, it will not apply to second hand or display products. Unless stated otherwise by applicable law, any replacement product issued under this guarantee will only be guaranteed until expiry of the original period guarantee period.

This guarantee covers product failures and malfunctions provided the product was used for the purpose for which it is intended and subject to installation, cleaning, care and maintenance in accordance with the information contained in these terms and conditions, in the user manual and standard practice, provided that standard practice does not conflict with the user manual.

This guarantee does not cover defects and damage caused by normal wear and tear or damage that could be the result of improper use, faulty installation or assembly, neglect, accident, misuse, or modification of the product. Unless stated otherwise by applicable law, this guarantee will not cover, in any case, ancillary costs (shipping, movement, costs of uninstalling and reinstalling, labour etc), or direct and indirect damage.

If the product is defective, we will, within a reasonable time, replace.

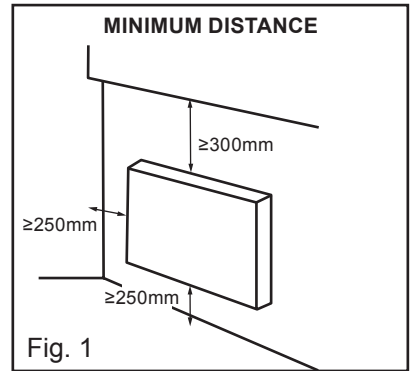
Rights under this guarantee are enforceable in the country in which you purchased this product. Guarantee related queries should be addressed to the store you purchased this product from.

The guarantee is in addition to and does not affect your statutory rights.

**IMPORTANT - RETAIN THIS INFORMATION
FOR FUTURE REFERENCE:
READ CAREFULLY**

Installing the appliance

- This appliance is for indoor use only.
- Observe the minimum distances as shown in Fig. 1.
- The power connection is made by the 2 cables via a connection box. In places such as wet bathroom, laundry, kitchen, install the appliance at least 250 mm from the level of the ground.
- Do not install the unit in place where air flow that may disturb its regulation (e.g. under an air conditioning unit).



This heater is for wall mounting only. Do not attempt to use it free standing.

Electrical connection

You need to follow the below requirements when you install your heater:



THIS PRODUCT IS SUITABLE FOR BATHROOMS ZONE 2 AND OUTSIDE ZONE; MEANS FOR DISCONNECTION HAVING A CONTACT SEPARATION IN ALL POLES MUST BE INCORPORATED IN THE FIXED WIRING IN ACCORDANCE WITH THE WIRING RULES.



WARNING: YOU NEED TO CONNECT THE TWO CONDUCTORS OF THE SUPPLY CABLE TO A CONNECTION BLOCK IN RESPECTING THE POLARITIES AS FOLLOWING:



IMPORTANT: THE WIRES IN THE MAINS LEAD ARE COLOURED IN ACCORDANCE WITH THE FOLLOWING CODE:

Blue – Neutral

Brown – Live

The blue wire must be connected to the terminal marked with an **N** or coloured black.

The brown wire must be connected to the terminal marked with an **L** or coloured red.



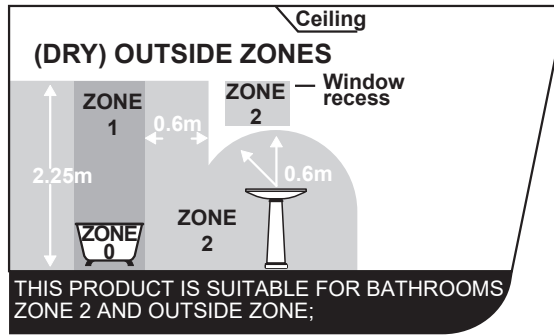
WARNING: NEVER CONNECT LIVE OR NEUTRAL WIRES TO THE EARTH TERMINAL.



This product is double insulated and must not be earthed. If there are any incoming earth cables, they must be joined together using a suitable connector (not supplied) and well insulated with good quality insulation tape. This is to ensure earth continuity throughout your property.

- All fittings must be installed by a competent person in accordance with the current IET Wiring Regulations (BS7671). If in doubt, consult a qualified electrician.
- This product is suitable for use in living areas, and Bathroom dry (Outside) Zones and Zone 2 only (see diagram below and current IET Wiring Regulations for details). It is not suitable for Bathroom Zones 0,1 or other areas where contact with moisture is likely. If being fitted in a bathroom a 30mA RCD must be used. This appliance does not come fitted/supplied with a fused plug. DO NOT wire/fit a plug to this appliance.
- The appliance must be electrical connected to a fused fixed spur, which is fitted with a 13 Amp fuse.
- Always refer to the Reference Drawing for Bathroom Installation.

Note: The below drawing is for reference only. We suggest you to contact a professional electrician for any help.



* Full details can be found in the current IET Wiring Regulations (BS7671).

To hang the heater on the wall:

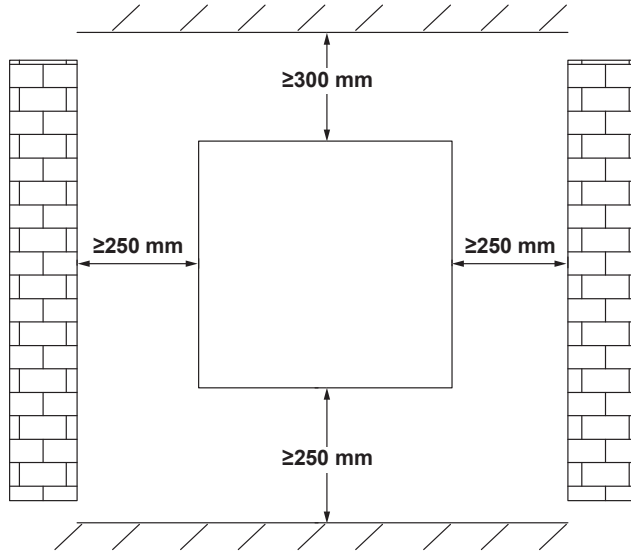
1. Choose a suitable installation location for the heater (Step 01).
2. Disassemble the wall bracket by loosening the screw (do not remove, only loosen) and slide the metal plate out of the hole. Take out the bracket by pulling down (Step 02).
3. Verify that the bracket is horizontal with a spirit level and mark the location of holes on the wall. Drill holes in the wall using a drill adapted to the diameter of wall plug. Insert the wall plug into the holes, then screw securely wall mount bracket onto the wall (Step 03 & 04).



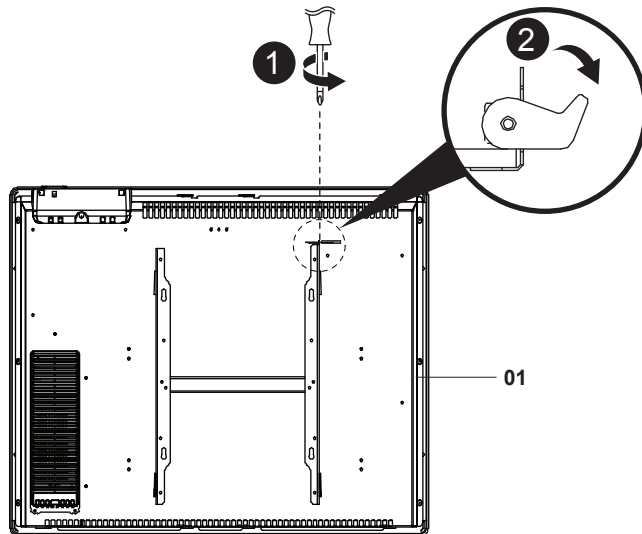
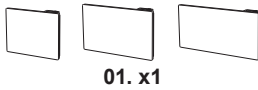
CAUTION: THE SCREWS AND WALL PLUGS PROVIDED MAY NOT BE ADAPTED TO THE WALL. IN THAT CASE, DO NOT USE THE SCREWS AND WALL PLUGS PROVIDED BUT ADAPTED ONES.

4. Place the heater against bracket (Step 05):
 - Align the heater on the lower hooks that are downwards.
 - Pull the heater upwards whilst retaining it in the lower hooks.
 - Align the heater on the upper hooks that are upwards.
 - Pull the heater down.
 - Do not use any adhesive to fix the appliance to the wall.
5. Slide the metal plate into the hole, and fasten the screw to lock the wall mount bracket (Step 06).

01



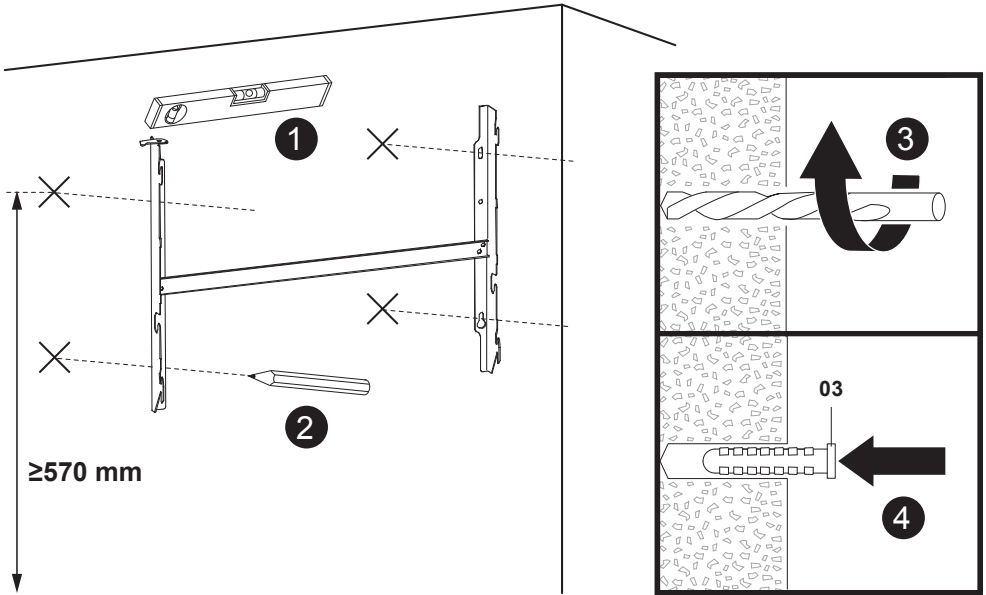
02



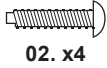
03



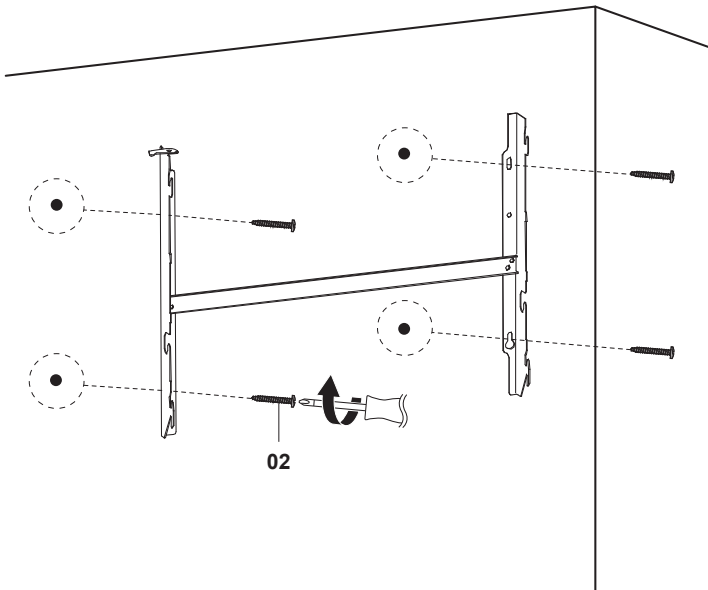
03. x4



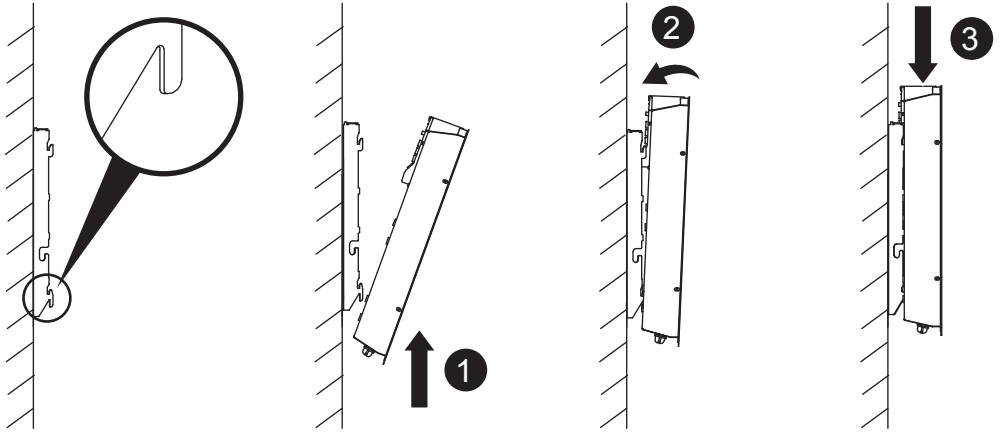
04



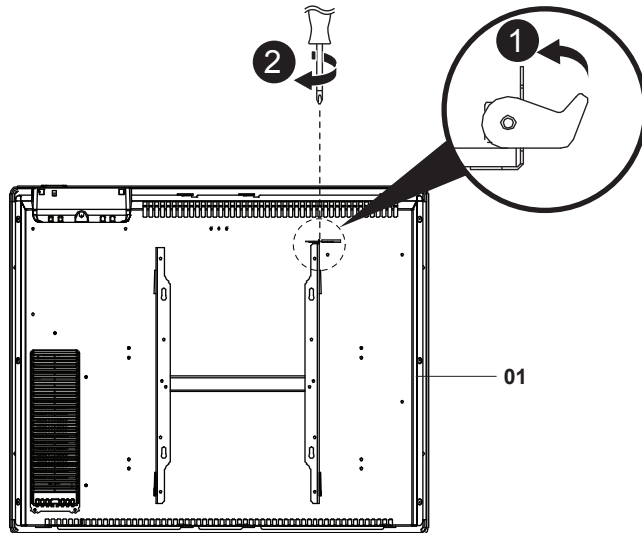
02. x4



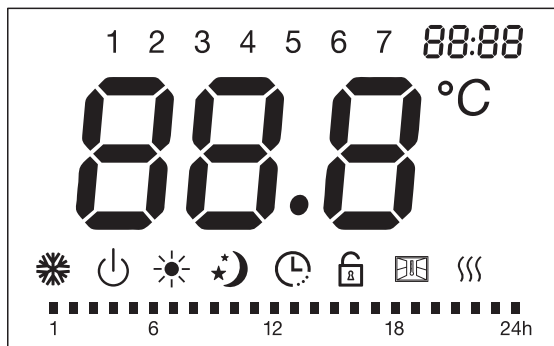
05



06



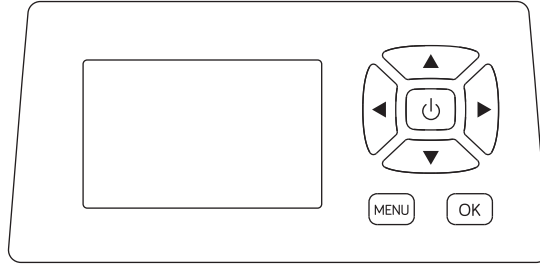
01 LCD Display



Functions of the icons on the LCD:

Symbol	Function
	Mode standby (the appliance doesn't work but with power on).
	Mode anti-freeze (the appliance maintains the temperature around 7 °C).
	Mode comfort (set the desired temperature).
	Mode ECO (ECO maintains the temperature that is 3.5 °C lower to comfort temperature. This mode reduces the temperature without disturbing the desired temperature in comfort mode).
	Program modes or Pilot wire mode.
	Keyboard lock.
	Window detection function.
	Heating indicator (when appliance is heating up, this icon will show on the screen. The icon will disappear when detected temperature reach the set temperature).
	Temperature (Celsius).
Weekly personalized modes:	
	Mode Comfort active
	Mode ECO active

02 Control Panel



Touch icon	Function
	Standby
MENU	Short press to enter setting menu: 1. Time setting; 2. program modes setting; 3. Window detection function. Press for 3 seconds, activate / inactivate keyboard lock.
OK	Confirm button
	Under working status: shift working mode (Comfort/Eco / Program modes or Pilot wire/ Anti-freeze) Under setting status: shift options by left and right
	Under working status: adjust temperature Under setting status: shift options by up and down

03 How to use

When first use the machine, there will be some slight smell. It is normal. The smell will disappear after heater working for an hour.

I. Mode selection (◀ / ▶ button)

- For the first time you use the device, after you connect to the power supply and after that the clock is set, refer to the time setting instruction in "setting menu". The device will be in standby mode, and you can press the standby button to enter comfort mode.

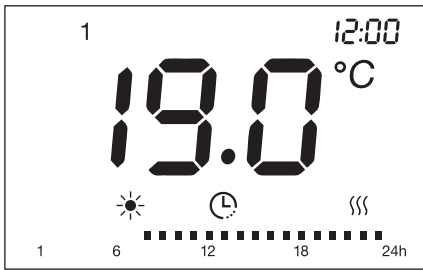
NOTE: In case of power failure, the unit keep in memory only the parameters, temperature and operating mode. When power is restored, the clock should be adjusted again to operate the program modes properly.

Press ◀ / ▶ to toggle among the modes: comfort / ECO / Program mode or Pilot wire / Anti-freeze , the icon of the selected mode will appear on the bottom part of the screen.

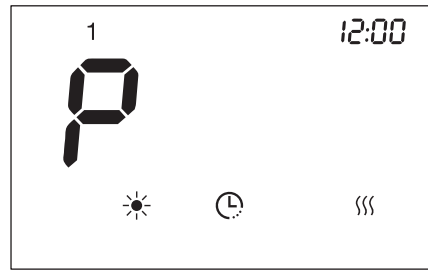
- Program and Pilot wire modes share the same icon . And these 2 modes are mutually exclusive. When the appliance is working on Program mode, press and hold OK button for 3 seconds, the appliance will shift from Program mode to Pilot wire mode.

When the appliance is working on Pilot wire mode, press and hold **OK** button for 3 seconds, the appliance will shift from Pilot wire mode to Program mode.

The interface of program mode and Pilot wire mode are as below:



Program mode



Pilot wire

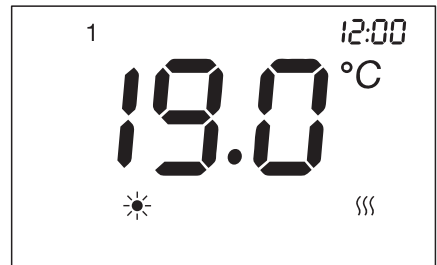
NOTE: For the program mode, mode setting and mode selection is separated. If you want to set the program mode, press **MENU** to enter setting menu to choose program mode setting and press **OK** to enter setting interface. For details, please refer to part 2 “Program mode setting” under section III “Setting menu”.

3. Pilot wire mode

- Press ◀/▶ button to choose mode ⌚ (Program modes or Pilot wire mode). Under Pilot wire mode, select the mode via the external control (for France only).
- If the working interface is at Program mode, press and hold **OK** button for 3 seconds, the appliance will shift from Program mode to Pilot wire mode.
- For other countries except France, if you choose mode Pilot wire P, the appliance will work at comfort mode as default.

II. Temperature setting

1. Under the mode of comfort ☀ or ECO ☆ (excluding anti-freezing mode), temperature is adjustable. Press ▲/▼ to choose the desired temperature for comfort mode between 5 °C and 29 °C. The temperature difference between mode ECO and mode comfort is 3.5 °C, so the temperature range of ECO mode is between 1.5 °C and 25.5 °C.
2. Press other buttons except ▲/▼ to finish the setting, or it will automatically save.
3. When the room temperature is higher than the selected temperature, the heater will stop heating.



III. Setting menu (MENU button)

Press **MENU** to enter setting menu interface.

Press ◀/▶ or ▲/▼ to choose from time setting 12:00, program mode setting ⌚, window detection function 🏠. The selected icon will flash while other icons keep on.

Press **MENU** to exit the setting menu or after 30 seconds it will automatically exit and go back to working interface.

1. Time setting

- Press **MENU** to enter setting interface, and ◀/▶ to choose time setting. When the time display 12:00 on the top right of the screen is flashing, press **OK** to start time setting.
- Press ◀/▶ to toggle among day of week, hour, and minute, and ▲/▼ to set day of week, hour, and minute.
- When the hour digital flashes, press ▲/▼ to set the hour and press **OK** to confirm hour setting and move to minute setting 00-59.
- When the minute digital flashes, press ▲/▼ to set the minute and press **OK** to confirm minute setting and move to day of week setting 1-7.
- When the day digital flashes, press ▲/▼ to set the day of week and press **OK** to confirm or after 30 seconds, it will automatically save and go back to working interface.

2. Program mode setting

- Press **MENU** to enter setting interface, and ◀/▶ to choose program mode setting ⌚. When ⌚ flashes, press **OK** to enter setting interface.
- Under program mode, you can choose from 7 pre-set 24-hour programs (P1-P7) for each day of week.

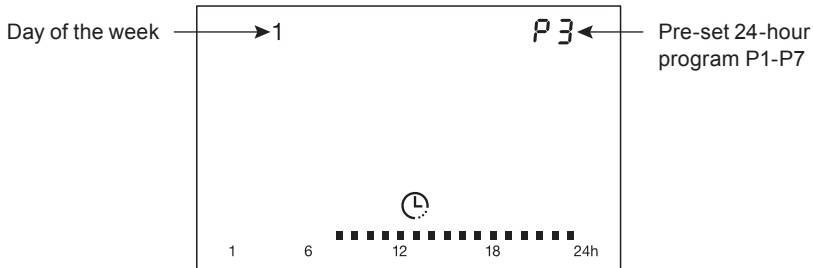
NOTE: The 7 pre-set 24-hour programs (P1-P7) are programmable. For each hour, you can choose between comfort mode and economic mode. if you want to set up your favourite programs P1-P7, please refer to "Setting of 7 pre-set 24-hour programs (P1-P7)"

- Under program mode, the manufacturer default setting for day 1 to 7 of the week are as follows:
day 1 to day 5: work with P1,
day 6 to day 7: work with P3.

The default setting of P1-P7 are as follows:

P1	1	6	12	18	24h
P2	1	6	12	18	24h
P3	1	6	12	18	24h
P4	1	6	12	18	24h
P5	1	6	12	18	24h
P6	1	6	12	18	24h
P7	1	6	12	18	24h

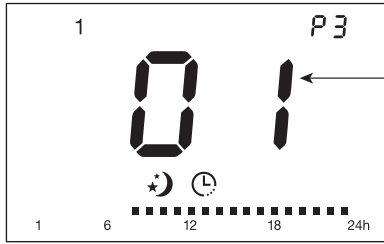
Press ◀/▶ to choose day of week, and ▲/▼ to choose from 7 pre-set 24-hour programs (P1-P7), Or press **OK** to confirm previous setting and enter setting for next day. After setting of last day, press **OK** to confirm or after 30 seconds, it will automatically save and go back to working interface.



Setting of 7 pre-set 24-hour programs (P1-P7)

Press **MENU** to enter setting interface and ◀/▶ to choose the program mode setting ⌚. Ignore the day information, just press the ▲ or ▼ button to select one program from P1-P7, the program number will flash. Press and hold **OK** for 3 seconds to enter the setting interface of the mode. The setting will be memorized (in case of power failure, it will also be memorized).

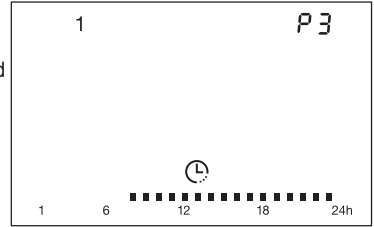
1. Press ◀/▶ to choose hour (1-24). Each hour there is 2 alternative mode: Comfort mode and ECO mode. The existing setting mode icon of the hour will flash. Press ▲ to choose comfort mode. ■, or press ▼ to choose economic mode □ (actually show blank on the screen), or **OK** to keep previous setting. Each time press the ▲/▼ button or **OK** button, the selected comfort mode or ECO mode will be saved directly and on the same time, it will automatically go to setting for next hour. If need to change the previous hour setting, need press the ◀ button first and then press the ▲ or ▼ button.



Hour
(01 is for hour 1 to hour 2, and so on,
24 is for hour 24 to hour 1)

2. After setting of 24 hours, press ▲/▼ or **OK**, it will automatically save and go back to previous setting interface.

- For example, if you enter the P3 setting from below interface (day 1, P3), it will go back to below interface (day 1, P3) after you finish P3 24-hour setting. The updated P3 program has already replaced the manufacturer default P3 setting.



NOTES:

- In case of power failure, the unit keep in memory only the parameters, temperature and operating mode. When power is restored, the clock should be adjusted again to operate the program modes properly.
- After you finish program mode setting, it will be saved but will not automatically start working at program mode. You need to press left/right arrow button to choose program mode to make the heater work at this mode.

3. Window detection function

- Press **MENU** to enter setting interface, and ◀/▶ to choose window detection function . When flashes, press **OK** to enter setting interface. Then press ◀/▶ to choose "ON" or "OFF". If "ON" is selected, the window detection function is activated and icon will show on the screen. Press **OK** to confirm or wait 30 s for the device to save automatically and return to the operating interface.
- When temperature decrease is detected, the appliance will automatically enter anti-freeze mode with icon flashing. If temperature rises up, the appliance will go back to previous mode with icon on. You can choose "OFF" to inactivate the window detection function.



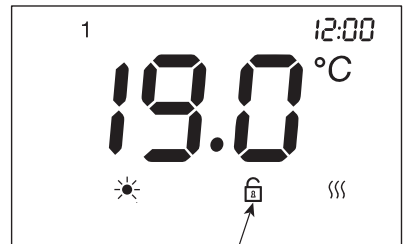
NOTE: The window detection function is not available under anti-freeze mode.

IV. Keyboard lock setting

Press **MENU** button for three seconds to activate the keyboard lock function , in order to unlock, press **MENU** again for three seconds.

NOTES:

- The keyboard lock function doesn't lock the standby button.
- The keyboard lock function will automatically be deactivated under below circumstances.
 - The appliance is put into standby mode by pressing standby button .
 - The appliance suffer power disconnection.



Keyboard lock

Information requirements for electric local space heaters

Model identifier(s): HD10-23ME							
Item	Symbol	Value	Unit	Item	Unit		
Heat output				Type of heat input, for electric storage local space heaters only (select one)			
Nominal heat output	P_{nom}	0.9	kW	Manual heat charge control, with integrated thermostat	No		
Minimum heat output (indicative)	P_{min}	N/A	kW	Manual heat charge control with room and/or outdoor temperature feedback	No		
Maximum continuous heat output	$P_{max,c}$	0.9	kW	Electronic heat charge control with room and/or outdoor temperature feedback	No		
Auxiliary electricity consumption				Fan assisted heat output			
At nominal heat output	eI_{max}	0	kW	Type of heat output/room temperature control (select one)			
At minimum heat output	eI_{min}	0	kW	Single stage heat output and no room temperature control	No		
In standby mode	eI_{SB}	0.000	kW	Two or more manual stages, no room temperature control	No		
				With mechanic thermostat room temperature control	No		
				With electronic room temperature control	No		
				Electronic room temperature control plus day timer	No		
				Electronic room temperature control plus week timer	Yes		
				Other control options (multiple selections possible)			
				Room temperature control, with presence detection	No		
				Room temperature control, with open window detection	Yes		
				With distance control option	No		
				With adaptive start control	No		
				With working time limitation	No		
With black bulb sensor	No						
Contact details	Kingfisher International Products Limited, 1 Paddington Square, London, W2 1GG, United Kingdom Kingfisher International Products B.V., Rapenburgerstraat 175E, 1011 VM Amsterdam, The Netherlands						

Model identifier(s): HD15-23ME									
Item	Symbol	Value	Unit	Item	Unit				
Heat output				Type of heat input, for electric storage local space heaters only (select one)					
Nominal heat output	P_{nom}	1.4	kW	Manual heat charge control, with integrated thermostat	No				
Minimum heat output (indicative)	P_{min}	N/A	kW	Manual heat charge control with room and/or outdoor temperature feedback	No				
Maximum continuous heat output	$P_{max,c}$	1.4	kW	Electronic heat charge control with room and/or outdoor temperature feedback	No				
Auxiliary electricity consumption				Fan assisted heat output					
At nominal heat output	eI_{max}	0	kW	Type of heat output/room temperature control (select one)					
At minimum heat output	eI_{min}	0	kW	Single stage heat output and no room temperature control	No				
In standby mode	eI_{SB}	0.000	kW	Two or more manual stages, no room temperature control	No				
				With mechanic thermostat room temperature control	No				
				With electronic room temperature control	No				
				Electronic room temperature control plus day timer	No				
				Electronic room temperature control plus week timer	Yes				
				Other control options (multiple selections possible)					
				Room temperature control, with presence detection	No				
				Room temperature control, with open window detection	Yes				
				With distance control option	No				
				With adaptive start control	No				
				With working time limitation	No				
				With black bulb sensor	No				
				Contact details	Kingfisher International Products Limited, 1 Paddington Square, London, W2 1GG, United Kingdom Kingfisher International Products B.V., Rapenburgerstraat 175E, 1011 VM Amsterdam, The Netherlands				

Model identifier(s): HD20-23ME							
Item	Symbol	Value	Unit	Item	Unit		
Heat output				Type of heat input, for electric storage local space heaters only (select one)			
Nominal heat output	P_{nom}	1.8	kW	Manual heat charge control, with integrated thermostat	No		
Minimum heat output (indicative)	P_{min}	N/A	kW	Manual heat charge control with room and/or outdoor temperature feedback	No		
Maximum continuous heat output	$P_{max,c}$	1.8	kW	Electronic heat charge control with room and/or outdoor temperature feedback	No		
Auxiliary electricity consumption				Fan assisted heat output			
At nominal heat output	eI_{max}	0	kW	Type of heat output/room temperature control (select one)			
At minimum heat output	eI_{min}	0	kW	Single stage heat output and no room temperature control	No		
In standby mode	eI_{SB}	0.000	kW	Two or more manual stages, no room temperature control	No		
				With mechanic thermostat room temperature control	No		
				With electronic room temperature control	No		
				Electronic room temperature control plus day timer	No		
				Electronic room temperature control plus week timer	Yes		
				Other control options (multiple selections possible)			
				Room temperature control, with presence detection	No		
				Room temperature control, with open window detection	Yes		
				With distance control option	No		
				With adaptive start control	No		
				With working time limitation	No		
				With black bulb sensor	No		
				Contact details	Kingfisher International Products Limited, 1 Paddington Square, London, W2 1GG, United Kingdom Kingfisher International Products B.V., Rapenburgerstraat 175E, 1011 VM Amsterdam, The Netherlands		

EN Care & maintenance

- Before cleaning the appliance, switch off the appliance supply and wait until it is completely cooled.
- Use a damp cloth to clean the housing of the device.
- Clean grilles and air outlet regularly.
- Do not use water, liquids, abrasive detergents or chemicals (alcohol, petrol, etc.) for cleaning.

Manufacturer:

UK Manufacturer:

Kingfisher International Products Limited,
1 Paddington Square, London, W2 1GG,
United Kingdom

EU Manufacturer:

Kingfisher International Products B.V.,
Rapenburgerstraat 175E,
1011 VM Amsterdam,
The Netherlands

EN www.diy.com
www.screwfix.com
www.screwfix.ie

**To view instruction manuals online,
visit www.kingfisher.com/products**