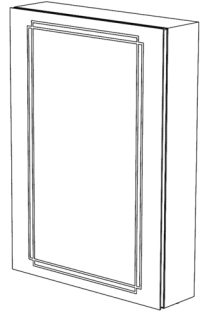


INSTALLATION INSTRUCTIONS

Illuminated LED Mirror Cabinet IP44 700 x 500 x 138mm



IMPORTANT: Please read these instructions before commencing installation and retain for future reference.

Bathroom Lighting Zones:

0

Inside the bath or shower.
Must be SELV (12V Max) due to water submersion.
Minimum rating of IP67.

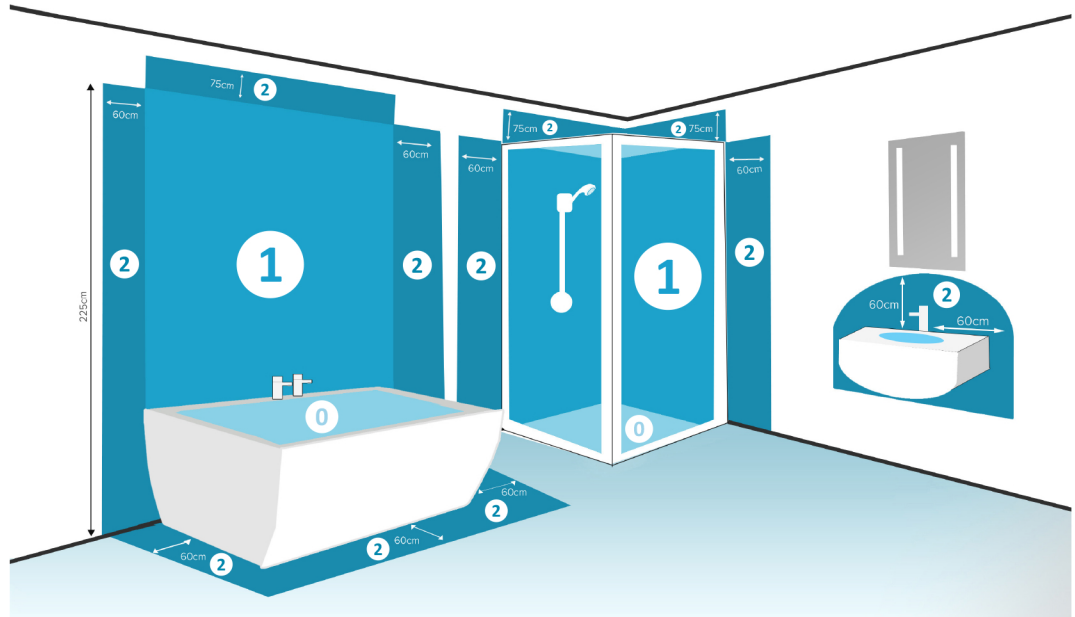
1

225cm above the bath or shower.
Minimum rating of IP44.

2

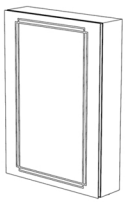
The area stretching to 60cm outside the bath or shower, and 60cm from the water outlet of the sink. An IP rating of at least IP44 is required.

This mirror is IP44 rated and suitable for installation in zone 2 and the outside zones.

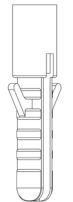


Outside Zones - Anywhere outside zones 0, 1 and 2, where water jets are not used for cleaning purposes, the general rules of BS7671 apply.

Components



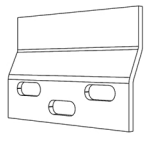
Illuminated LED Mirror Cabinet



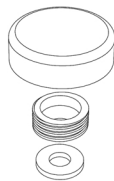
6 x Rawl Plugs



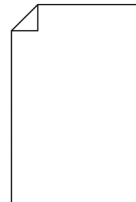
7 x Screws



2 x Mounting Brackets



Screw Cap, Screw Holder Inlet & Washer



1 x Instructions Manual

Tools Required



Screwdriver



Ø8mm Drill Bit



Power Drill

Important Safety Information

Please read these instructions carefully before attempting to install this product. It is advisable to keep these instructions in a safe place for future reference.

We recommend that you consult a qualified electrician. All electrical installation must be carried out in accordance with the current IEE wiring regulations (BS7671) and the latest relevant building regulations.

This product must not be modified, if any modifications are made, it may invalidate the warranty and may render the product unsafe.

This product has a wattage of 24.7W.

This product has a rating of IP44 and is for indoor use only.

Safety Instructions

1. If in doubt, installation must be carried out by a qualified electrician.
2. Before commencing installation or maintenance, isolate the main electrical supply for the appropriate circuit at the fuse board.
3. This product is only suitable for connecting to a 240V 50Hz supply.
4. The mirror should be mounted onto a secure surface.
5. When installing, please take care to avoid water pipes, joints and electrical cables.
6. Do not exceed or stretch cables.
7. The RAWL plugs supplied are only suitable for solid stone/brick walls. For plasterboard walls use specialist plugs, available from DIY or hardware stores.

Waste Electrical & Electronic Equipment (WEEE)

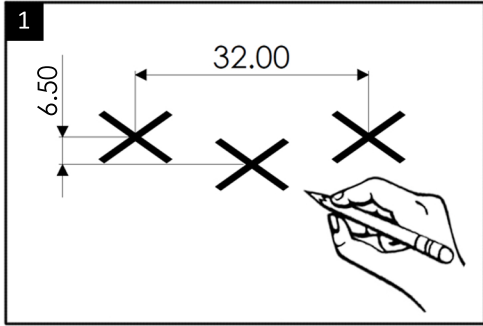
The symbol on the product, or on the document accompanying the product, the crossed out wheelee bin symbol, indicates that this product may not be treated as household waste. Instead it shall be handed over to the applicable collection point for the recycling of electrical and electronic waste.



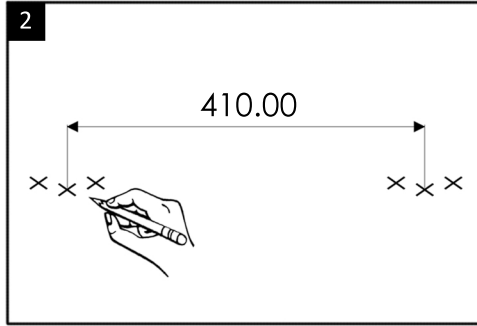
RoHS Compliant ✓ CE

Illuminated LED Mirror Cabinet

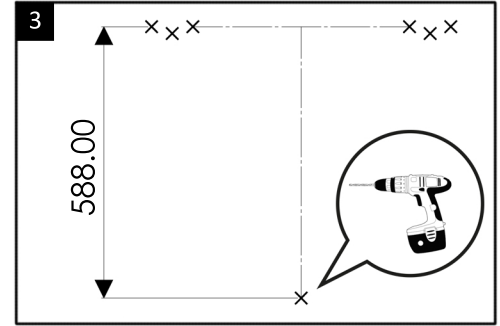
Installation



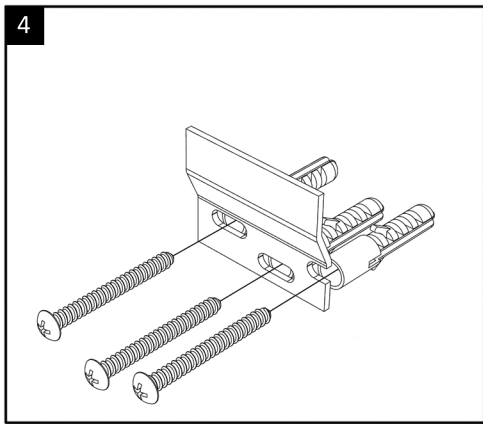
Carefully mark the desired location for the first mounting bracket using the dimensions shown in the diagram.



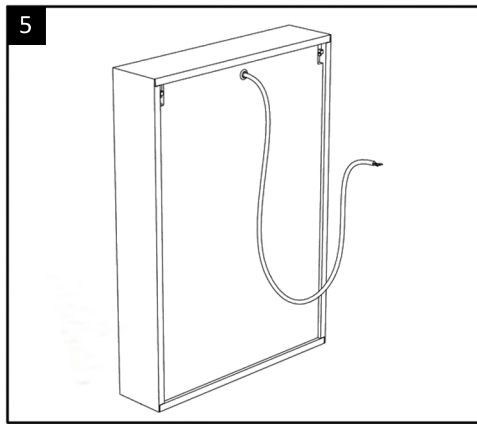
Mark out the location for the second bracket using the dimensions shown above.



Mark out the location for the internal securing screw using the dimensions shown in the diagram. Once all markings are complete, proceed to drill the holes using a 8mm drill bit.

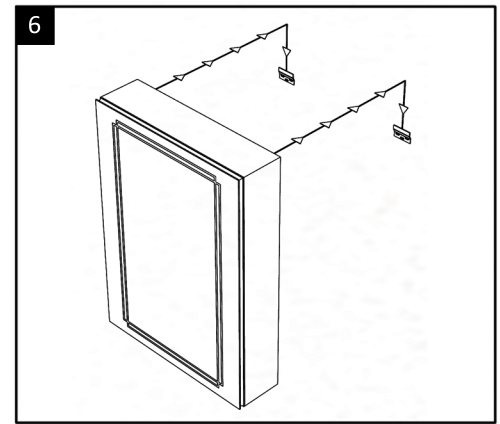


Insert the Rawl plugs into the holes and then attach the mounting brackets to the wall by inserting the screws.

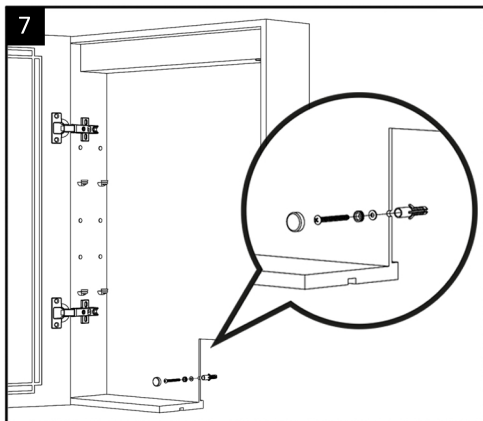


Connect the cable at the back of the cabinet to the mains supply.

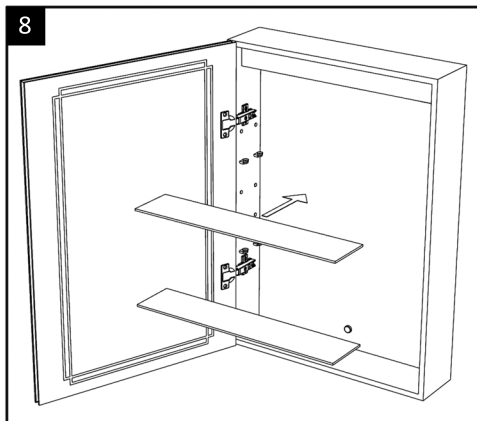
Note: Please see the wiring diagram at the bottom of the page.



Carefully position the cabinet up against the wall, so that the brackets are slightly below the hooks and then gently lower the cabinet until the brackets take the weight of the cabinet.

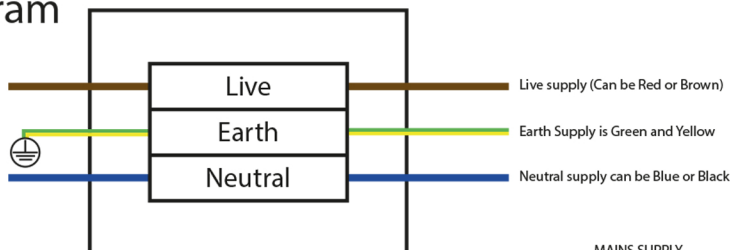


Insert the internal securing screw and attach the screw cap.



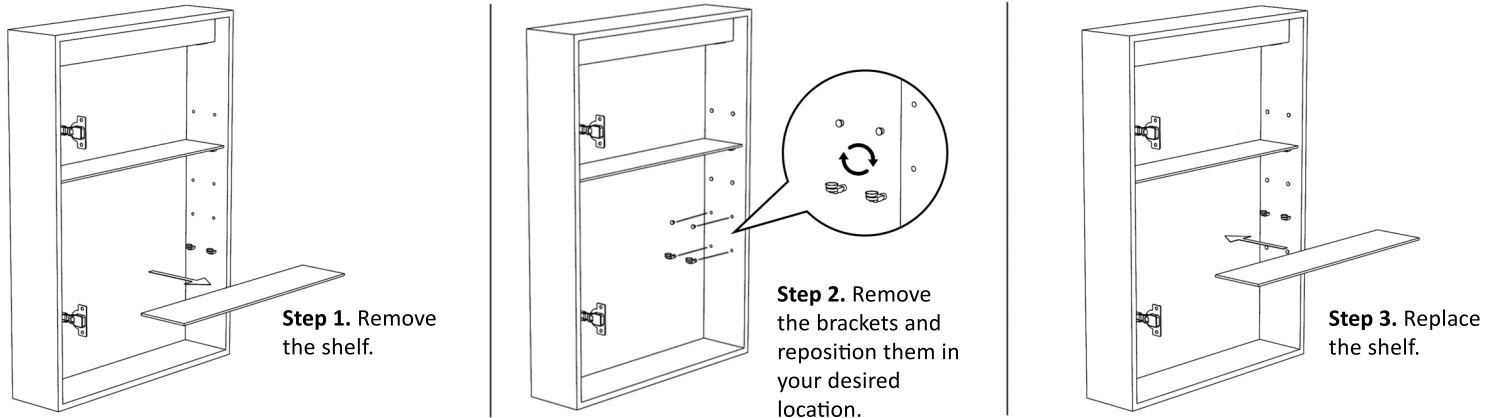
Finally, Insert the shelves

Wiring Diagram



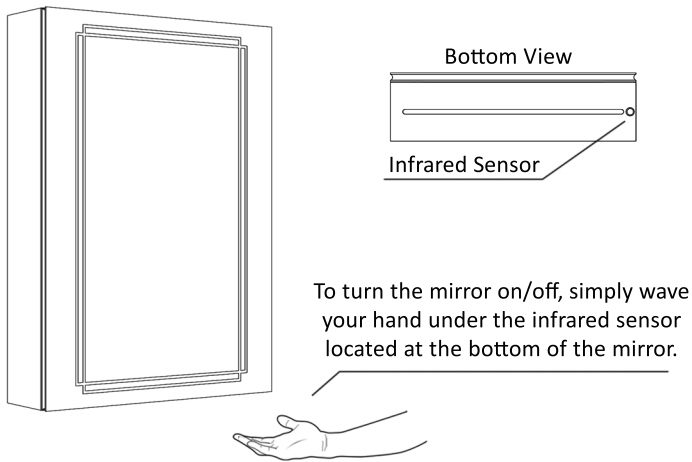
Illuminated LED Mirror Cabinet

To Change The Shelf Height...

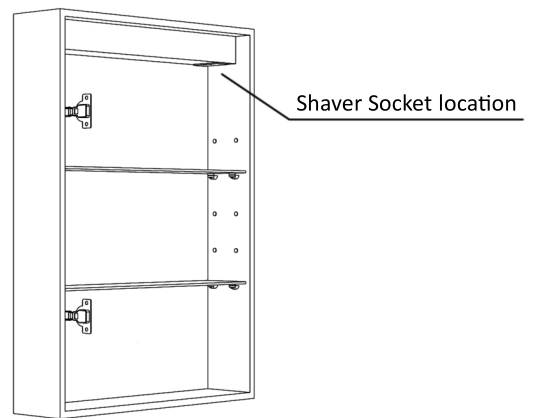


Operation

To Operate The Lights...



Shaver Socket



Product Overview

This illuminated LED Cabinet is a sleek addition to any bathroom, providing beautiful lighting with the wave of a hand.

The cabinet door features integrated lighting on both sides, which is perfect for everyday tasks such as applying make-up, and a built-in demister pad ensures that the mirror stays perfectly clear.

There is also an integrated shaver socket within the spacious interior to ensure that bathroom essentials stay fully charged and ready for use.

Maintenance & Care

- To keep the finish of this product, wipe over with soft cloth periodically.
- Do not use harsh chemical solvents, this may dis-colour or damage the finish.