

# EBPW3000

EAN: 5063022018915, 5063022018892  
ORIGINAL INSTRUCTIONS



V20424\_5063022018915\_MAND2\_2324



Machine description

4



Safety instructions

10



Assembly

20



Use

23



Care & maintenance

31



Guarantee

39



Declaration of conformity

41



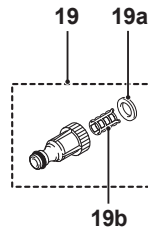
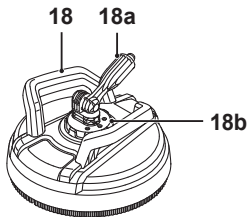
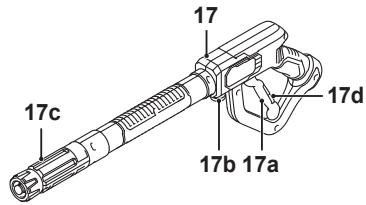
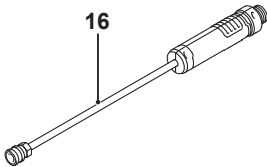
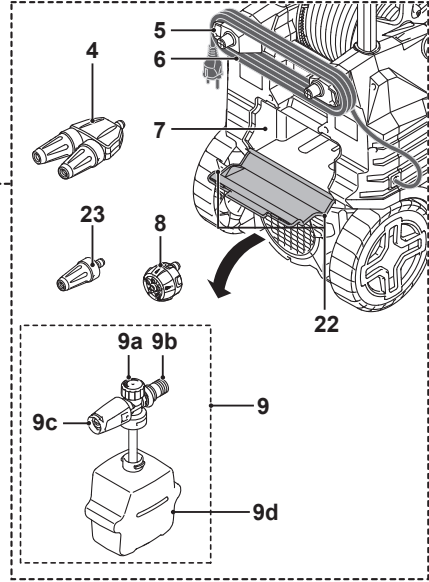
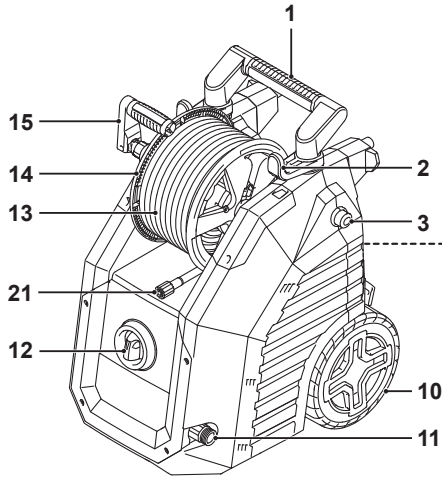
**WARNING!** Please read all safety warnings carefully and be sure that they are fully understood before handling the machine.

## MACHINE DESCRIPTION

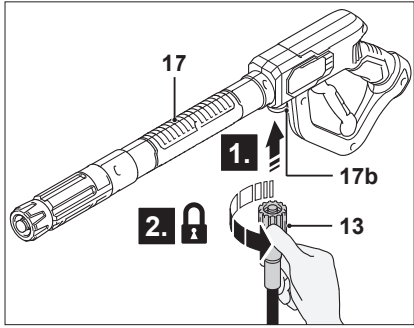
1. Transportation handle
2. Trigger gun holder
3. Lock-off button
4. Twin rotary nozzle
5. Supply cord holder (x2)
6. Supply cord with power plug
7. Accessories chamber
8. 5-in-1 nozzle
9. Foam cannon
  - a. Flow adjustment knob
  - b. Connection port
  - c. Nozzle
  - d. Detergent bottle
10. Wheel (x2)
11. Water inlet
12. On/off switch (O/ I)
13. High pressure hose
14. Hose reel
15. Crank handle
16. Extension lance
17. Trigger gun
  - a. Trigger lever
  - b. Hose connection
  - c. Pressure adjustment knob
  - d. Trigger lock lever
18. Patio brush
  - a. Extension lance connector
  - b. Pressure adjustment wheel
19. Water inlet hose adapter
  - a. Gasket
  - b. Inlet filter
20. Cleaning needle
21. Water outlet
22. Accessories holder (x2)
23. Single rotary nozzle



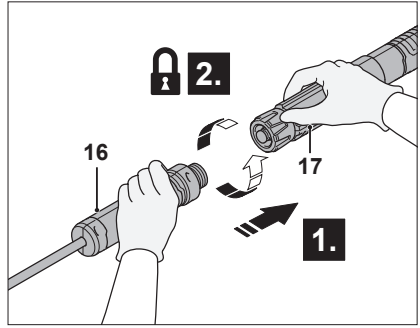
# Machine description



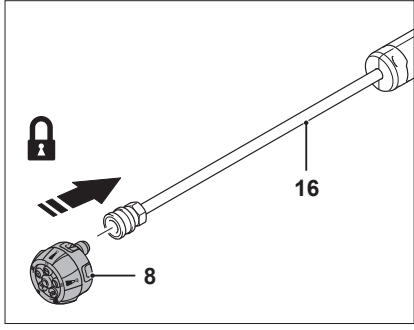
1



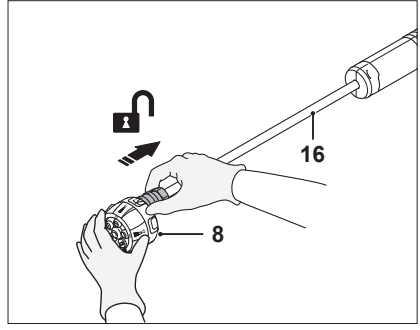
2



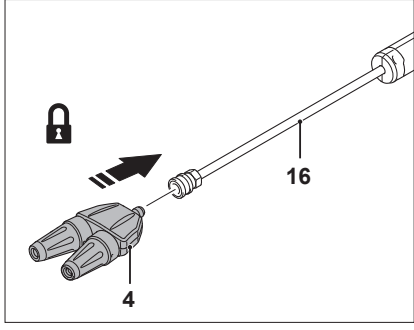
3



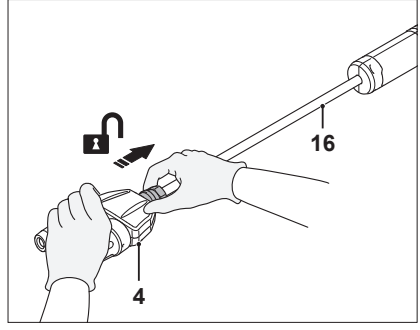
4



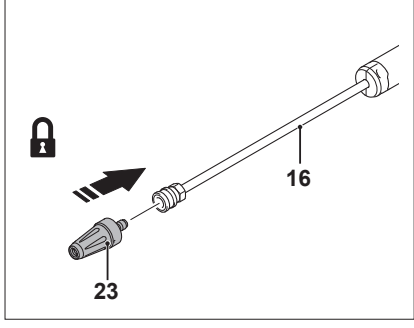
5



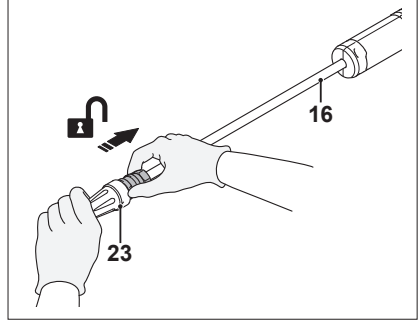
6



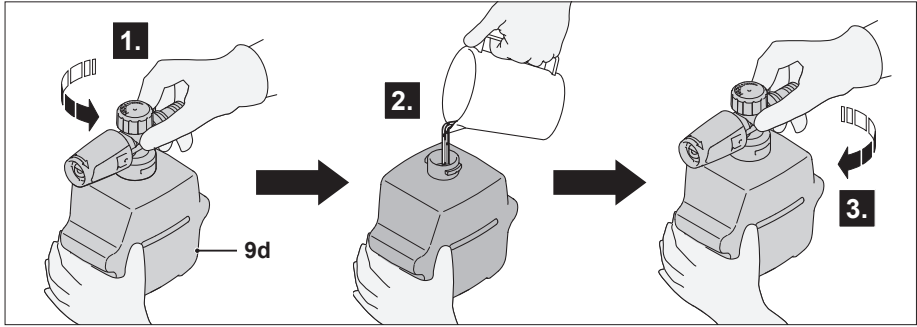
7



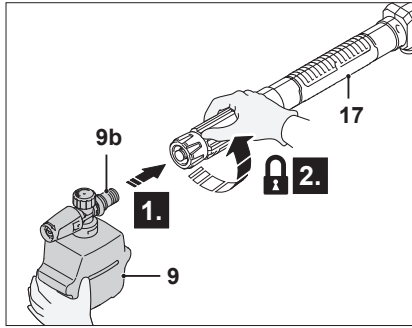
8



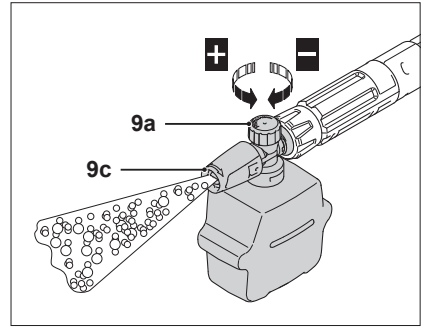
9



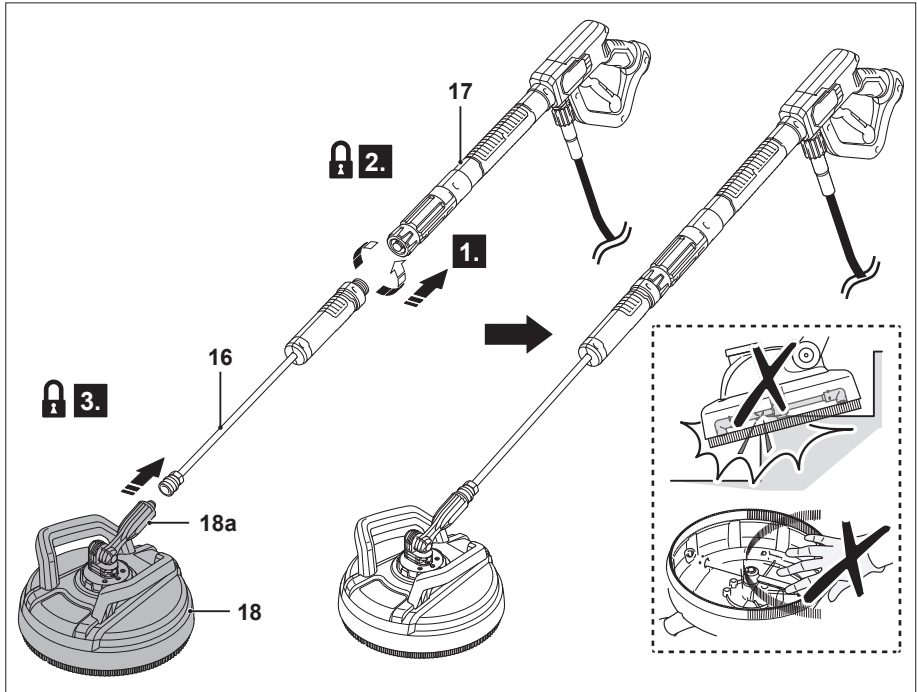
10



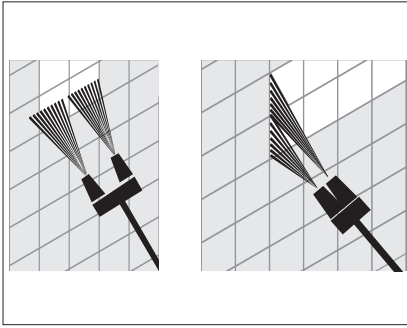
11



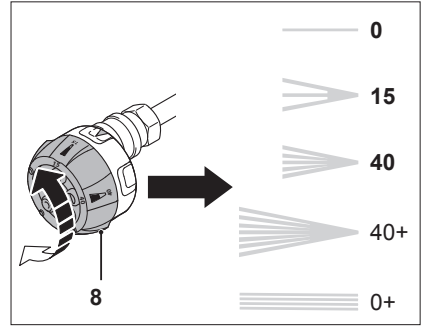
12



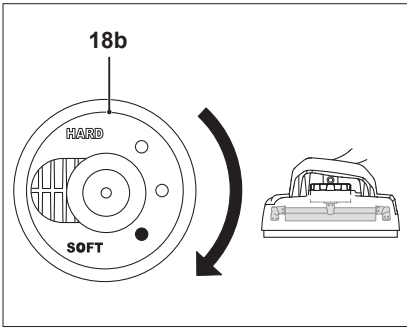
13



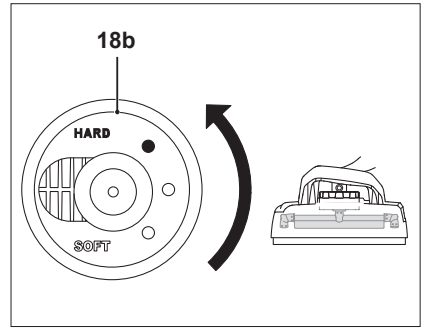
14



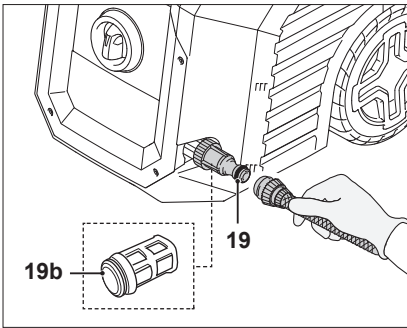
15



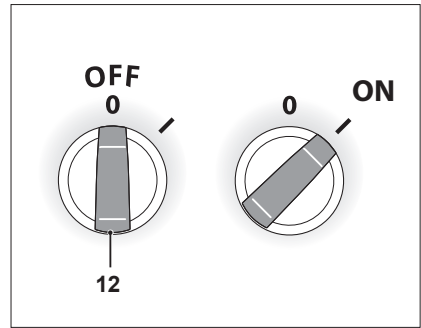
16



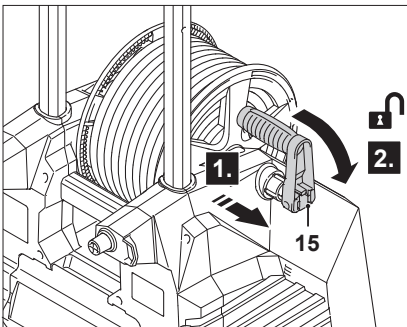
17



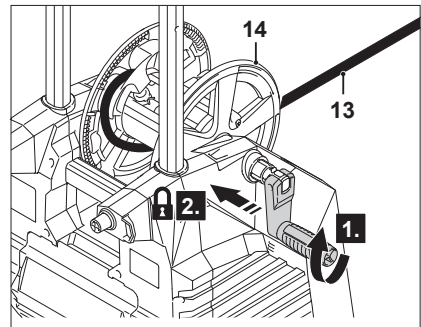
18



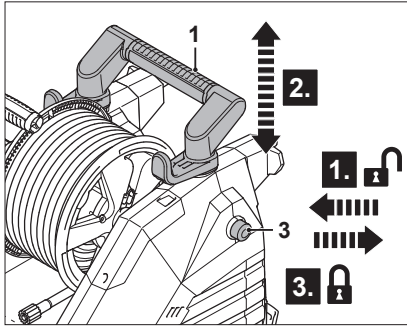
19



20



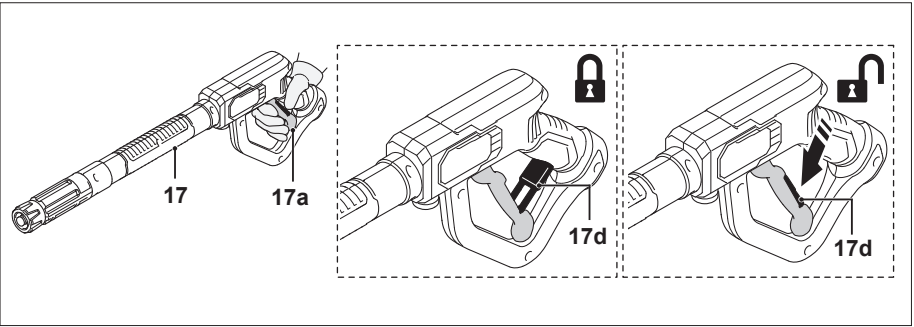
21



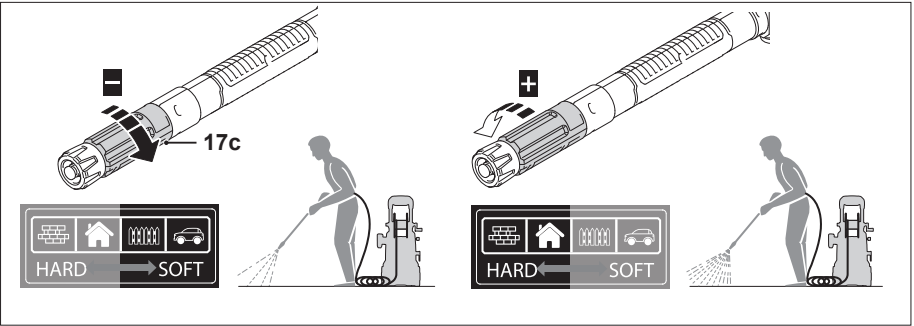
22



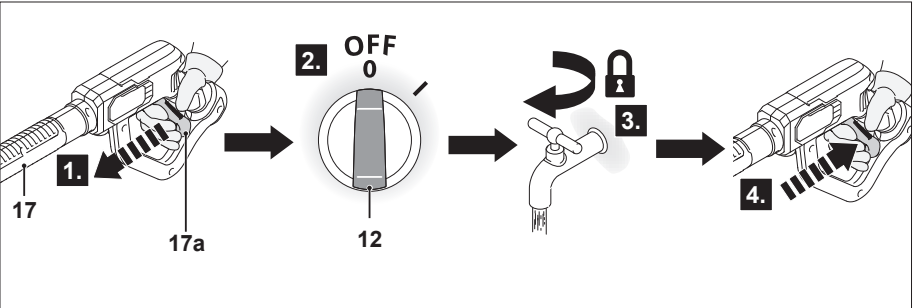
23



24

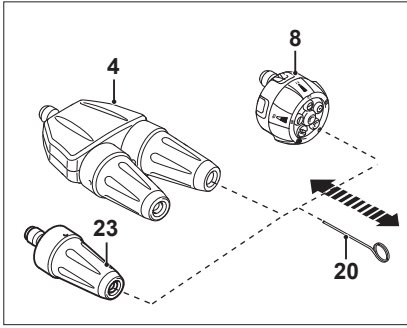


25

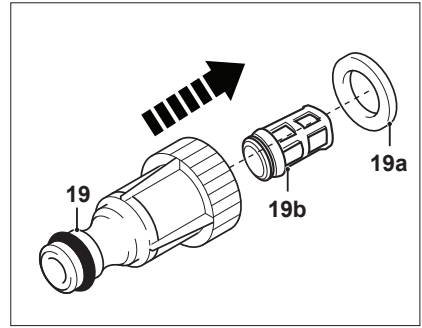




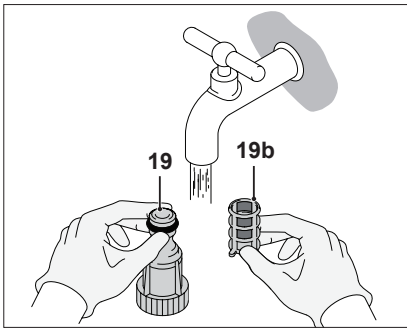
26



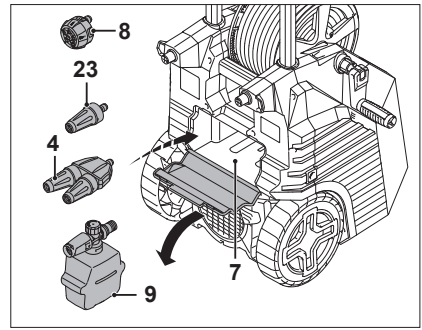
27



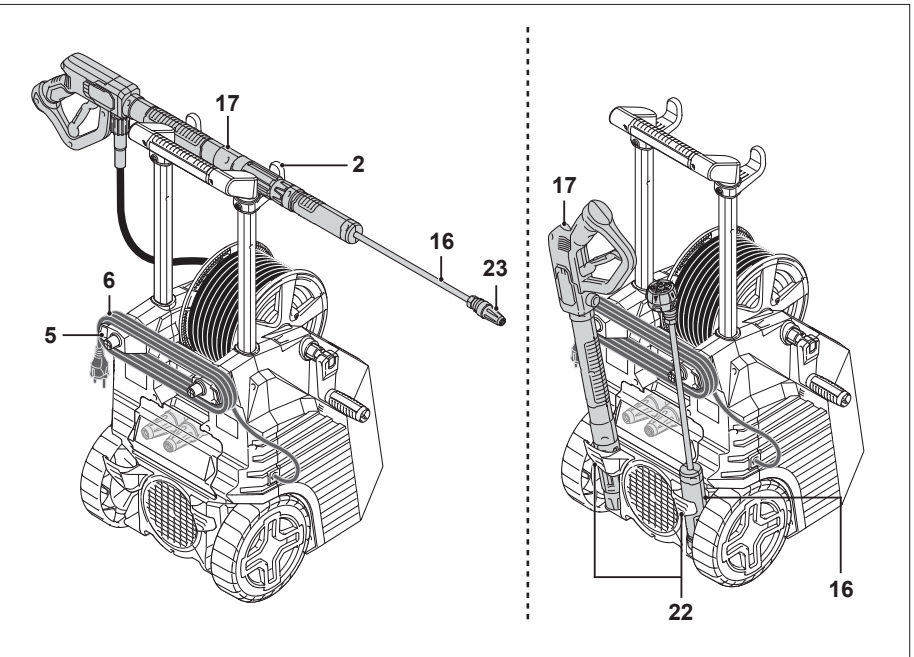
28



29



30





## Safety instructions



**WARNING** Read all safety warnings, instructions, illustrations and specifications provided with this machine. Failure to follow all instructions listed below may result in electric shock, fire and/or serious injury.

**Save all warnings and instructions for future reference.**

- Machines shall not be used by children. Children should be supervised to ensure that they do not play with the machine.
- This machine can be used by people with reduced physical, sensory or mental capabilities or lack of experience and knowledge if they have been given supervision or instruction concerning use of the machine in a safe way and understand the hazards involved.

### **SAFETY FOR HIGH PRESSURE CLEANER**

- **WARNING:** This machine has been designed for use with the cleaning agent supplied or recommended by the manufacturer. The use of other cleaning agents or chemicals may adversely affect the safety of the machine.
- **WARNING:** During use of high pressure cleaners, aerosols may be formed. Inhalation of aerosols can be hazardous to health.
- **WARNING:** High pressure jets can be dangerous if subject to misuse. Never direct the jet at persons, live electrical equipment or the machine itself.

- **WARNING:** Do not use the machine within range of persons unless they wear protective clothing.
- **WARNING:** Do not direct the jet against yourself or others in order to clean clothes or foot-wear.
- **WARNING:** Risk of explosion – Do not spray flammable liquids.
- **WARNING:** High pressure cleaners shall not be used by children or untrained personnel.
- **WARNING:** High pressure hoses, fittings and couplings are important for the safety of the machine. Use only hoses, fittings and couplings recommended by the manufacturer.
- **WARNING:** To ensure machine safety, use only original spare parts from the manufacturer or approved by the manufacturer.
- **WARNING:** Water that has flowed through backflow preventers is considered to be non-potable.
- **WARNING:** Remove the plug from the socket-outlet during cleaning or maintenance and when replacing parts or converting the machine to another function.
- **WARNING:** Do not use the machine if a supply cord or important parts of the machine are damaged, e.g. safety devices, high pressure hoses, trigger gun.
- **WARNING:** Inadequate extension cords can be dangerous. If an extension cord is used, it shall be suitable for outdoor use, and the connection has to be kept dry and off the ground. It is recommended that this is accomplished by means of a cord reel which keeps the socket at least 60 mm above the ground.

- **WARNING:** Always switch off the mains disconnecting switch when leaving the machine unattended.
- Never use the machine with inflammable or toxic liquids, or liquids with characteristics incompatible with its proper operation.
- Never use the machine outdoors in the rain.
- Never lock the gun trigger in the operating position.
- Check that the machine is fitted with its rating label; contact your dealer if it is missing. Machines without rating label must not be used, since they cannot be identified and are potentially hazardous.
- Never tamper with or adjust the setting of the safety valve or the safety devices.
- Never change the original diameter of the adjustable nozzle.
- Never leave the machine unattended when it is running.
- Do not allow vehicles to drive over the pressure hose.
- Do not move the machine by pulling on the pressure hose.
- When directed towards tyres, tyre valves or other pressurised components, the high pressure jet is potentially dangerous. Do not apply a jet stream and always keep the nozzle at a distance of at least 30 cm during cleaning.
- Protect all electrical conductors against the water jet.
- High pressure may cause parts to rebound: wear all the protective clothing and equipment needed to ensure the operator's safety.

- Wear appropriate Personnel Protection Equipment (PPE) while operation e.g. safety boots, safety gloves, safety helmets with visors, hearing protection etc.
- Be aware of kick-back: grip the gun firmly when squeezing the trigger.
- Comply with the regulations of the local water supply authority. Under EN 12729 (BA) the machine can be connected directly to the mains drinking water supply only if the supply hose is fitted with a backflow preventer device with drainage facility.
- Discharge residual pressure before disconnecting the hose from the machine.
- Check before each use, and at regular intervals, that all metal fasteners are tight and the machine's components are in good condition; inspect for broken or worn parts.
- **WARNING:** Use only detergents compatible with the high pressure hose cladding materials or other cladding materials.
- The electric supply connection shall be made by a qualified electrician and comply with IEC 60364-1. It is recommended that the electric supply to this machine should include a residual current device that will interrupt the supply if the leakage current to earth exceeds 30 mA for 30 ms or a device that will prove the earth circuit.
- If the supply cord is damaged, it must be replaced by the manufacturer, its service agent or similarly qualified persons in order to avoid a hazard.
- **WARNING:** Cleaning and user maintenance shall not be made by children.

## **VIBRATION AND NOISE REDUCTION**

To reduce the impact of noise and vibration emission, limit the time of operation, use low-vibration and low-noise operating modes as well as wear personal protective equipment.

Take the following points into account to minimise the vibration and noise exposure risks:

- a) Only use the machine as intended by its design and these instructions.
- b) Ensure that the machine is in good condition and well maintained.
- c) Use correct accessories for the machine and ensure they are in good condition.
- d) Keep tight grip on the trigger gun with both hands.
- e) Maintain this machine in accordance with these instructions.
- f) Plan your work schedule to spread any high vibration tool use across a longer period of time.
- g) Prolonged use of the machine exposes the user to vibrations that can cause a range of conditions collectively known as hand-arm vibration syndrome (HAVS) e.g. fingers going white; as well as specific diseases such as carpal tunnel syndrome. To reduce this risk when using the machine, always wear protective gloves and keep your hands warm.

## EMERGENCY

Familiarise yourself with the use of this machine by means of this instruction manual. Memorise the safety directions and follow them to the letter. This will help to prevent risks and hazards.

- a) **Always be alert when using this machine, so that you can recognise and handle risks early.** Fast intervention can prevent serious injury and damage to property.
- b) **Switch off and disconnect from the socket-outlet if there are malfunctions.** Have the machine checked by a qualified professional and repaired, if necessary, before you operate it again.

## RESIDUAL RISKS

**Even if you are operating this machine in accordance with all the safety requirements, potential risks of injury and damage remain. The following dangers can arise in connection with the structure and design of this machine:**

- a) Health defects resulting from vibration emission if the machine is being used over long periods of time or not adequately managed and properly maintained.
- b) Injuries and damage to property due to broken attachments or the sudden impact of hidden objects during use.
- c) Danger of injury and property damage caused by flying objects.



**WARNING** This machine produces an electromagnetic field during operation! This field may under some circumstances interfere with active or passive medical implants! To reduce the risk of serious or fatal injury, we recommend persons with medical implants to consult their doctor and the medical implant manufacturer before operating this machine!

## 01 Technical specifications

	5063022018892	5063022018915
<b>General</b>		
<b>Rated voltage/frequency:</b>	220 – 240 V ~ / 50 Hz	230 V ~ / 50 Hz
<b>Rated input:</b>	3000 W	3000 W
<b>Rated pressure:</b>	12 MPa	12.5 MPa
<b>Max. allowable pressure:</b>	18 MPa	18 MPa
<b>Max. inlet water pressure:</b>	1 MPa	1 MPa
<b>Rated flow:</b>	8.33 l/min	8.83 l/min
<b>Max. rated flow:</b>	9.5 l/min	10 l/min
<b>Rated temperature:</b>	50°C	50°C
<b>Gun kickback force at max. pressure:</b>	< 21.5 Nm	< 23.3 Nm
<b>Protection class:</b>	I / ⊕	I / ⊕
<b>Degree of protection:</b>	IPX5	IPX5
<b>Weight:</b>	25.5 kg	25.5 kg
<b>Dimensions:</b>	441 X 479 X 864 mm	441 X 479 X 864 mm
<b>High pressure hose</b>		
<b>Allowable pressure:</b>	20 MPa	20 MPa
<b>Maximum temperature:</b>	60 °C	60 °C
<b>Length:</b>	10 m	10 m
<b>Water hose (not supplied)</b>		
<b>Quality:</b>	Reinforced hose	Reinforced hose
<b>Diameter:</b>	min. Ø 12.7 mm (1/2")	min. Ø 12.7 mm (1/2")
<b>Length:</b>	max. 10 m	max. 10 m
<b>Sound level</b>		
<b>Sound pressure level <math>L_{pA}</math></b>	80.7 dB(A)	80.7 dB(A)
<b>Uncertainty <math>K_{pA}</math></b>	2.50 dB(A)	2.50 dB(A)
<b>Measured sound power level <math>L_{WA}</math></b>	92.2 dB(A)	92.2 dB(A)
<b>Uncertainty <math>K_{WA}</math></b>	2.50 dB(A)	2.50 dB(A)
<b>Guaranteed sound power level <math>L_{WA}</math> (acc. to 2000/14/EC amended by 2005/88/EC)</b>	96 dB(A)	96 dB(A)
<b>Vibration level</b>		
<b>Declared vibration emission value <math>a_{hd}</math>:</b>	<2.5 m/s <sup>2</sup>	<2.5 m/s <sup>2</sup>
<b>Uncertainty K:</b>	1.0 m/s <sup>2</sup>	1.0 m/s <sup>2</sup>



The sound values have been determined according to noise test code given in EN 60335-2-79, using the basic standards ISO 3744 and ISO 11203.

The sound intensity level for the operator may exceed 80 dB(A) and ear protection measures are necessary.

The declared vibration value has been measured in accordance with a standard test method (according to EN 60335-2-79) and may be used for comparing one machine with another. The declared vibration value may also be used in a preliminary assessment of exposure.




**WARNING!** Depending on the actual use of the machine the vibration values can differ from the declared total! Adopt proper measures to protect yourself against vibration exposures. Take the whole work process including times the machine is running under no load or switched off into consideration. Proper measures include among others regular maintenance and care of the machine and cutting attachments, keeping hands warm, periodical breaks and proper planning of work processes.


## 02 Symbols


On the machine, the rating label and within these instructions you will find among others the following symbols and abbreviations. Familiarize yourself with them to reduce hazards like personal injuries and damage to property.

V~	Volt, (alternating voltage)	kg	Kilogram
Hz	Hertz	dB(A)	Decibel (A-rated)
W	Watt	m/s <sup>2</sup>	Metres per second squared
/min or min <sup>-1</sup>	Per minute	MPa	Mega Pascal, pressure unit
mm	Millimetre	bar	Pressure unit
P <sub>rated</sub>	Rated pressure	Q <sub>rated</sub>	Rated flow
P <sub>max</sub>	Allowable pressure	Q <sub>max</sub>	Max flow
p <sub>IN MAX</sub>	Max inlet water pressure		
IPX5	The machine is protected against water (out of a nozzle) from all directions.		
yyWxx	Manufacturing date code; year of manufacturing (20yy) and week of manufacturing (Wxx).		
EBPW3000	EB_Brand Name; PW_Pressure washer; 3000_Power		

## Description of signal words:

 **DANGER!** The signal word that indicates a hazard with a high level of risk which, if not avoided, will result in death or serious injury.

 **WARNING!** The signal word that indicates a hazard with a medium level of risk which, if not avoided, could result in death or serious injury.

 **CAUTION!** The signal word that indicates a hazard with a low level of risk which, if not avoided, could result in minor or moderate injury.

**NOTE!** Indicates a practical tip, advice or practice not related to personal injury.



Lock/to tighten or secure.



Wear hearing protection.



Unlock/to loosen.



Wear eye protection.



Note/Remark.



Wear respiratory protection.



Caution/Warning.



Wear protective gloves.



Read the instruction manual.



Wear protective, slip-resistant safety footwear.



Switch the machine off and disconnect it from the power supply before assembly, cleaning, adjustments, maintenance, storage and transportation.



Always ensure that other people and pets remain at a safe distance from the machine when it is in operation. In general, children must not come near the area where the machine is.



Do not expose the machine to rain or wet conditions.



This machine is not suitable for connection to the potable water mains.



Do not direct the water jet onto people, animals, electrical equipment or onto the machine itself.



Guaranteed sound power level value in 96 dB.



The machine complies with the applicable European directives and an evaluation method of conformity for these directives was done.



The machine complies with the conformity requirements of the applicable UK regulations.



WEEE symbol. Waste electrical machines should not be disposed of with household waste. Please recycle where facilities exist. Check with your Local Authority or local store for recycling advice.



## Assembly

### 01 Unpacking

1. Unpack all parts and lay them on a flat, stable surface.
2. Remove all packing materials and shipping devices, if applicable.
3. Make sure the delivery contents are complete and free of any damage. If you find that parts are missing or show damage do not use the machine but contact your dealer. Using an incomplete or damaged machine represents a hazard to people and property.
4. Ensure that you have all the accessories and tools needed for assembly and operation. This also includes suitable personal protective equipment.



**WARNING!** The machine and the packaging are not children's toys! Children must not play with plastic bags, sheets and small parts! There is a danger of choking and suffocation!

### 02 Assembly



**WARNING!** The machine must be fully assembled before the operation!  
Do not use a machine that is only partly assembled or assembled with damaged parts!



Follow the assembly instructions step-by-step and use the pictures provided as a visual guide to assemble the machine easily!

Disconnect the machine from the socket-outlet before assembly.



**NOTE:** Take care of small parts that are removed during assembly or when making adjustments. Keep them secure to avoid loss.

## High pressure hose

1. Connect the high pressure hose (13) to the hose connection (17b) of the trigger gun (17) (Fig. 1, step 1).
2. Tighten the high pressure hose (13) by turning it clockwise to secure it in place (Fig. 1, step 2).



**NOTE:** Detach the high pressure hose (13) from the trigger gun (17) by turning it anti-clockwise.

## Extension lance

1. Connect the extension lance (16) to the tip of the trigger gun (17) (Fig. 2, step 1).
2. Tighten the extension lance (16) by turning it clockwise to secure it in place (Fig. 2, step 2).



**NOTE:** Detach the extension lance (16) from the trigger gun (17) by turning it anti-clockwise.

## 5-in-1 nozzle

1. Push the 5-in-1 nozzle (8) towards the tip of the extension lance (16) (Fig. 3).
2. The 5-in-1 nozzle (8) clicks into place securely.



**NOTE:** Detach the 5-in-1 nozzle (8) by pulling the sleeve at the tip of the extension lance (16) backwards (Fig. 4).

## Twin rotary nozzle

1. Push the twin rotary nozzle (4) towards the tip of the extension lance (16) (Fig. 5).
2. The twin rotary nozzle (4) clicks into place securely.



**NOTE:** Detach the twin rotary nozzle (4) by pulling the sleeve at the tip of the extension lance (16) backwards (Fig. 6).

## Single rotary nozzle

1. Push the single rotary nozzle (23) towards the tip of the extension lance (16) (Fig. 7).
2. The single rotary nozzle (23) clicks into place securely.



**NOTE:** Detach the single rotary nozzle (23) by pulling the sleeve at the tip of the extension lance (16) backwards (Fig. 8).

## Foam cannon



**WARNING!** Avoid skin contact with detergents, in particular contact with eyes! If detergent gets in your eyes, flush your eyes with clean water and seek immediate medical attention!



**NOTE:** Only use mild, environmentally friendly detergents. Never use aggressive chemicals, abrasive detergents or similar to avoid damage to your health, the machine and the environment.

1. Unscrew the cap of the detergent bottle (9d) (Fig. 9, step 1).
2. Fill the detergent bottle (9d) with the appropriate detergent (Fig. 9, step 2).
3. Tighten the cap securely (Fig. 9, step 3).
4. Connect the connection port (9b) of the foam cannon (9) to the tip of the trigger gun (17) (Fig. 10, step 1).
5. Tighten the foam cannon (9) by turning it clockwise to secure it in place (Fig. 10, step 2).



**NOTE:** Turn the flow adjustment knob (9a) to adjust the detergent flow rate. During operation the detergent mixes automatically with water and is released through the nozzle (9c) (Fig. 11).

## Patio brush



**WARNING!** The patio brush (18) is only intended to be used on flat patio surfaces! Do not attempt to use it on steps or use it vertically on walls. Never attempt to touch the rotating nozzle while operating (Fig. 12).



**NOTE:** Use the patio brush (18) in a side-to-side motion. Do not move it forward and backward to prevent it from tipping over.

1. Connect the extension lance (16) to the tip of the trigger gun (17) (Fig. 12, step 1).
2. Tighten the extension lance (16) by turning it clockwise to secure it in place (Fig. 12, step 2).
3. Push the extension lance connector (18a) of the patio brush (18) towards the tip of the extension lance (16) (Fig. 12, step 3).
4. The patio brush (18) clicks into place securely.



Use

## Intended use

This high pressure washer EBPW3000 is designated with a rated input of 3000 Watts.

1. The machine is intended for cleaning vehicles, buildings, terraces, facades and garden equipment using clean water and biodegradable chemical detergents. Likewise you can remove sticky dirt, for example from paving slabs or rain gutters. This product must not be used to clean clothing, shoes or other textiles. The water jet should not be directed at persons, animals, any electrical equipment or on the product itself. Do not flush any objects which contain health hazardous material (e.g. asbestos). Do not run the product with inflammable, explosive and toxic liquids.
2. For safety reasons it is essential to read the entire instruction manual before the first operation and to observe all the instructions therein.
3. This machine is intended for private domestic use only, not for any commercial use. It must not be used for any purposes other than those described.

## Before you start

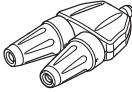

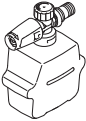
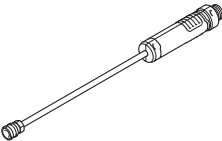
### 01 Protection



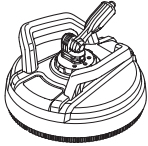

# Machine functions



**WARNING!** Do not make adjustment to the accessories when the machine is operating. Release the trigger lever (17a) before adjusting the accessories.

Parts		Application
	Twin rotary nozzle (4)	<ul style="list-style-type: none"> <li>For high pressure cleaning in conjunction with the extension lance (16).</li> <li>Keep the twin rotary nozzle (4) 15 - 20 cm away from the surface being cleaned at all times.</li> <li>Turn the twin rotary nozzle (4) to orientate the fan jet as desired (Fig. 13).</li> </ul>
	5-in-1 nozzle (8)	<ul style="list-style-type: none"> <li>For fan spray or pencil jet in conjunction with the extension lance (16).</li> <li>Turn the tip of the 5-in-1 nozzle (8) for the desired spray pattern. The selected setting (<b>0/ 15/ 40/ 40+/ 0+</b>) is indicated by the arrow marking on the nozzle (Fig. 14).</li> </ul> <p style="text-align: center;"> <b>0</b>: high pressure pencil jet  <b>15/ 40</b>: high pressure fan spray  <b>40+</b>: low pressure water curtain  <b>0+</b>: low pressure water column         </p>
	Foam cannon (9)	<ul style="list-style-type: none"> <li>For applying detergent in High pressure setting in conjunction with the trigger gun (17).</li> <li>Using detergent allows the high pressure water to penetrate and remove dirt more effectively.</li> </ul>
	Extension lance (16)	To be used in conjunction with the trigger gun (17), twin rotary nozzle (4) and 5-in-1 nozzle (8), single rotary nozzle (23) and patio brush (18).



	<p>Patio brush (18)</p>	<ul style="list-style-type: none"> <li>• For cleaning large flat surfaces, e.g. floors, garden paths or courtyards, in conjunction with the extension lance (16).</li> <li>• Turn the pressure adjustment wheel (18b) to adjust the washing power.</li> </ul> <p>&gt; Turn it clockwise to <b>SOFT</b> mode for normal washing power (Fig. 15).</p> <p>&gt; Turn it anti-clockwise to <b>HARD</b> mode for higher washing power (Fig. 16).</p>
	<p>Single rotary nozzle (23)</p>	<ul style="list-style-type: none"> <li>• For high pressure cleaning in conjunction with the extension lance (16).</li> <li>• Keep the single rotary nozzle (23) 15 - 20 cm away from the surface being cleaned at all times.</li> </ul>

## Connection to a water supply



**WARNING!** This machine is not intended to be connected to the potable water mains!

Observe the regulations of your local utility company when connecting the machine to a water supply line! It is prohibited to connect this machine to the drinking water facility without a backflow preventer which corresponds to EN 12729 Type BA or EN 61770! Make sure that the reinforced garden hose (not included) connected to the water supply and to the machine is at least 12.7 mm (1/2") in diameter.

1. Connect the water inlet hose adapter (19) to the water inlet (11) (Fig. 17).
2. Connect one end of a suitable garden hose (not included) to the water supply.
3. Connect the other end of the garden hose to the water inlet hose adapter (19).
4. Open the water supply.



**NOTE:** The water inlet hose adapter (19) contains an inlet filter (19b) to protect the machine against larger particles. Do not use the water inlet hose adapter (19) without the inlet filter (19b).

## Connection to a socket-outlet



**WARNING!** Check the voltage! The voltage must comply with the information on the rating label!

If using an extension cord it must be suitable for outdoor use with sockets protected against water splashing. Ensure the extension cord is of the proper size and type for the machine ( $\geq 1.5 \text{ mm}^2$ )!

**WARNING!** The electric supply connection shall be made by a qualified electrician and comply with IEC 60364-1. It is recommended that the electric supply to this machine should include a residual current device that will interrupt the supply if the leakage current to earth exceeds 30 mA for 30 ms or a device that will prove the earth circuit.

1. Set the on/off switch (12) to **O** position (Fig. 18).
2. Fully unwind the supply cord (6)
3. Connect the power plug (6) to a suitable socket-outlet.

## Using the hose reel



**WARNING!** Always discharge the residual pressure from the high pressure hose (13) by pressing the trigger lever (17a) of the trigger gun (17) repeatedly before using the machine.

### 01 Unwinding the high pressure hose



**WARNING!** Always fully unwind and pull out the high pressure hose (13) from the hose reel (14) completely for operation.

1. Slightly pull the crank handle (15) out from the hose reel (14) (Fig. 19, step 1).
2. Unfold the crank handle (15) to allow its rotation (Fig. 19, step 2).
3. Turn the crank handle (15) anti-clockwise to unwind the high pressure hose (13) or pull the high pressure hose (13) out from the hose reel (14) for operation.

## 02 Winding the high pressure hose



**WARNING!** Release the pressure in the high pressure hose (13) before winding it up:

1. Set the on/off switch (12) to **O** position (Fig. 18).
2. Press the trigger lever (17a) of the trigger gun (17) repeatedly to release the pressure remaining in the high pressure hose (14).

1. After use, turn the crank handle (15) clockwise to wind up the high pressure hose (13) (Fig. 20, step 1).
2. Align the tabs on the crank handle (15) with the grooves on the housing. Slightly push the crank handle (15) in to lock it in place (Fig. 20, step 2).
3. Fold the crank handle (15).

## 03 Using the transportation handle

1. Press the lock-off button (3) to unlock the transportation handle (1) (Fig. 21, step 1).
2. Lift the transportation handle (1) to the desired height position (high/low) (Fig. 21, step 2).
3. The transportation handle (1) clicks into place, and the lock-off button (3) raises to its original position (Fig. 21, step 3).

# Operation



**WARNING!** Do not operate the machine with a closed water tap! This leads to dry running and subsequently damages the machine!

Kickback forces result from squeezing the trigger lever (17a)! Therefore, always hold the trigger gun (17) with both hands!

Pay attention to safe posture! Improper handling can lead to injuries!



**WARNING!** Do not operate the machine when the ambient temperature is below 0 °C. Water will freeze inside the machine and damage it.



**NOTE:** The safety valve is a pressure limiting valve. When the trigger lever (17a) is released, the valve opens and discharges the pressure inside the pump.

**NOTE:** The automatic motor start-stop device is operated by the trigger lever (17a) of the trigger gun (17). When the trigger lever (17a) is released the dynamic pressure automatically cuts out the motor. When the trigger lever (17a) is depressed the automatic drop in pressure starts the motor and the pressure is restored after a very slight delay.

- Check the machine, its supply cord with plug (6) as well as the accessories for damage before each use. Do not use the machine if it is damaged or shows wear.
- Double check that the accessories and attachments are properly fixed.
- Always hold the trigger gun (17) with both hands,
- Ensure that the air vents are always unobstructed and clear. Clean them if necessary with a soft brush. Blocked air vents may lead to overheating and damage the machine.
- Switch the machine off immediately if you are disturbed while working by other people entering the working area. Always let the machine come to complete stop before averting.
- Do not overwork yourself. Take regular breaks to ensure you can concentrate on the work and have full control over the machine.

## 01 Starting



**WARNING!** Beware of kickback when squeezing the trigger!



**NOTE:** The trigger gun (17) is equipped with a trigger lock lever (17d) (Fig. 23) to prevent accidental activation of the trigger lever (17a). Flip the trigger lock lever (17d) up before the trigger lever (17a) can be squeezed.



**NOTE:** Always keep a reasonable distance between the nozzle and the object to be cleaned in order to avoid damage. Ask your specialist dealer for advice if required.

1. Connect the machine to a suitable water supply as described.
2. Connect the machine to a suitable socket-outlet as described.
3. Turn on the water tap fully.

4. Holding the trigger gun (17) with two hands, direct the nozzle away from yourself towards the surface to be cleaned (Fig. 22).
5. Squeeze the trigger lever (17a) (Fig. 23) until water flows from the water outlet (21) without air bubbles.
6. Set the on/off switch (12) to **I** position (Fig. 18).
7. Change the operating mode by turning the pressure adjustment knob (17c) on the trigger gun (17) (Fig. 24).
  - > Turn the pressure adjustment knob (17c) clockwise for **SOFT** mode operation.
  - > Turn the pressure adjustment knob (17c) anti-clockwise for **HARD** mode operation.

## 02 After use

1. Release the trigger lever (17a) (Fig. 25, step 1).
2. Set the on/off switch (12) to **O** position (Fig. 25, step 2).
3. Turn the water supply off (Fig. 25, step 3).
4. Squeeze the trigger lever (17a) to allow all water comes out from the machine and release the pressure still present in the product (Fig. 25, step 4). Flip the trigger lock lever (17d) down on the trigger lever (17a).



**WARNING!** Only detach the high pressure hose (13) from the trigger gun (17) and the garden hose from the water inlet (11) when no more pressure exists in the system! Ensure that the machine is switched off and unplugged.



**NOTE:** The trigger gun (17) is equipped with a trigger lock lever (17d) (Fig. 23) to prevent accidental activation of the trigger lever (17a). After use, flip the trigger lock lever (17d) down on the trigger lever (17a).

5. Disconnect the power plug (6) from the socket-outlet.
6. Detach the garden hose from the water supply and then from the water inlet hose adaptor (19).
7. Detach the high pressure hose (13) from the trigger gun (17).
8. Wind the high pressure hose (13) onto the hose reel (14). Do not bend or twist the high pressure hose (13).
9. Detach the accessories in the reverse sequence of the assembly instructions.

# Washing tips

## 01 General

- Dissolve dirt by applying the detergent mixed with water to the surface while still dry. Allow the detergent to rest on the surface for a few minutes, but do not let the detergent dry.
- When dealing with vertical surfaces, work from the bottom upwards. Use a high pressure jet at a minimum distance of 30 cm at 45° angle from the bottom upwards, and then rinse from the top downwards.
- For stubborn dirt, it is suggested to scrub it off with a brush prior to pressure washing. Avoid aiming a jet on the highest setting at delicate or painted parts, or on pressurised components (e.g. tyres, inflation valves, etc.).
- Effective washing depends on both the pressure and volume of the water used, to the same degree.

## 02 Wood and vinyl decks (SOFT MODE)



**CAUTION!** Increase the distance from the cleaning area for softer woods.

- Reduce your work area to smaller sections and wash each section one at a time for optimal results.
- Rinse at high pressure using fan spray, keeping the nozzle at least 15 - 25 cm from the cleaning surface.
- Maintain a further distance from the cleaning area when using jet spray.

## 03 Cement patios, stone, and brick (HARD MODE)

- Rinse at high pressure using fan spray in a sweeping motion, keeping the nozzle at least 7 - 15 cm from the cleaning surface.
- Maintain a further distance from the cleaning area when using jet spray.

## 04 Cars, boats, and motorcycles (SOFT MODE)



**WARNING!** Do not clean the engine with this machine!

- Clean one side at a time to achieve the best results.

- Rinse at high pressure using fan spray in a sweeping motion, keeping the nozzle at least 20 cm from the cleaning surface. Do not use narrow pencil jet on vehicle or boat paint work.
- Wipe surface dry for a polished finish.



+



Care & maintenance

## 01 The golden rules of care



**WARNING!** Always squeeze the trigger lever (17a) to release the pressure remaining in the high pressure hose (13) before cleaning, storage or maintenance.



Always switch the machine off, disconnect it from the socket-outlet and let the machine cool down before performing inspection, maintenance and cleaning work!

1. Keep the machine clean. Remove debris after each use and before storage.
2. Regular and proper cleaning helps to ensure safe operation and prolongs the life of the machine.
3. Inspect the machine before each use for worn and damaged parts. Do not operate it if you find broken and worn parts.



**WARNING!** Only perform repairs and maintenance work according to these instructions! All further works must be performed by a qualified specialist!.

## 02 Cleaning



**NOTE:** Do not use chemical, alkaline, abrasive or other aggressive detergents or disinfectants to clean this machine as they might be harmful to its surfaces.

### Machine

1. Clean the machine with a slightly damp cloth and mild soap. Use a brush for areas that are hard to reach.
2. In particular, clean the air vents after every use with a cloth and a brush.
3. Remove stubborn dirt with high pressure air (max. 3 bar).

## Accessories

1. Clean the accessories with a slightly damp cloth and mild soap. Use a brush for areas that are hard to reach.
2. Unclog the twin rotary nozzle (4), single rotary nozzle (23) or 5-in-1 nozzle (8) with the cleaning needle (20) (Fig. 26). To do so, insert the cleaning needle into the nozzle opening and move back and forth.
3. Disassemble the water inlet hose adaptor (19) (Fig. 27). Rinse the parts with clear water (Fig. 28).
4. Drain and wash out the foam cannon (9) at the end of the working session. Wash out the detergent bottle (9d).

### 03 Decalcification

From time to time – according to the nature of your tap water – calcium deposits form in the machine and accessories. The strength of the deposits (and thus the frequency of decalcification) depends upon the degree of hardness of the water and how often the machine is used. Check with your supplier in order to find the hardness of the water in your area.



**NOTE:** Use a mixture of water and citric acid or vinegar for decalcification. These substances are readily biodegradable and environmentally friendly!

1. Make a mixture of one part of proper vinegar and two parts hot water ( $\leq 50^{\circ}\text{C}$ ) in a suitable container, e. g. in a bowl.
2. Lay the detachable accessories in the mixture.
3. Leave the accessories in the mixture for approximately 12 hours.
4. Rinse the accessories with clear water.

### 04 Maintenance

Before and after each use, check the machine and accessories for wear and damage. If required, exchange them for new ones as described in this instruction manual. Observe the technical requirements.



## 05 UK plug replacement



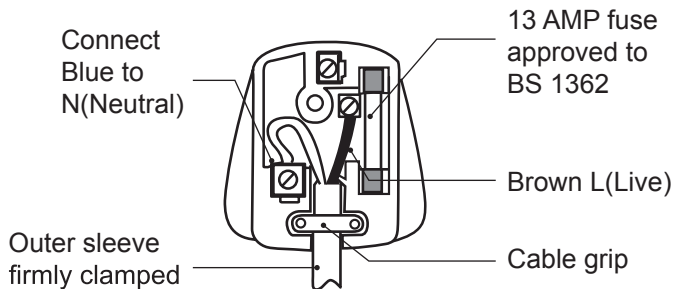
**WARNING!** Never connect live or neutral wires to the earth terminal of the plug, which is marked with E. Only fit an approved 13 Amp BS 1363 or BS 1363/A plug and the correctly rated fuse. If in doubt, consult a qualified electrician. If a moulded plug is fitted and has to be removed take great care in disposing of the plug and severed cable, it must be destroyed to prevent engaging into a socket.

If you need to replace the fitted plug, then follow the instructions below.

**IMPORTANT:** The wires in the mains lead are coloured in accordance with the following code:

Blue – Neutral Brown – Live

As the colours of the wire in the mains lead of this product may not correspond with the coloured marking identifying the terminals in your plug, proceed as follows. The wire, which is coloured blue, must be connected to the terminal, which is marked with N or coloured black. The wire, which is coloured brown, must be connected to the terminal, which is marked L or coloured red.



## 06 Spare parts/Replacement parts

The parts of this machine mentioned in the maintenance table may be replaced by the consumer. Spare parts are available at an authorised dealer or through our customer service.

Trigger gun	Extension lance
Twin rotary nozzle	5-in-1 nozzle
Foam cannon	Patio brush
Single rotary nozzle	

## 07 Repair

This machine does not contain any parts that can be repaired by the consumer. Contact an authorised service centre or a similarly qualified specialist to have it checked and repaired.

## 08 Transportation

1. Switch the machine off and disconnect it from the socket-outlet.
2. Disconnect the machine from the water supply.
3. Move the machine using the wheels (10) and transportation handle (1).
4. Store the machine and its accessories in a dry, frost-free place.
5. Protect the machine from any heavy impact or strong vibrations which may occur during transportation in vehicles.
6. Secure the machine to prevent it from slipping or falling over.

## 09 Storage



**NOTE:** Good storage conditions are important for keeping your machine trouble-free.

1. Switch the machine off and disconnect it from the socket-outlet.
2. Disconnect the machine from the water supply.
3. Clean the machine as described above.
4. Drain remaining water and wash the detergent bottle (9d) out at the end of the working session.
5. Store the parts on the holders (2, 5, 22) or in the accessories chamber (7) (Fig. 29, 30).
6. Store the machine and its accessories in a dry, frost-free place.
7. Always store the machine in a place that is inaccessible to children. The ideal storage temperature is between 10 °C and 30 °C.
8. We recommend using the original package for storage or covering the machine with a suitable cloth or enclosure to protect it against dust.

## 10 Troubleshooting

Suspected malfunctions are often ones that the users can fix themselves. Therefore check the machine using this section. In most cases the problem can be solved quickly.



**WARNING!** Only perform the steps described within these instructions! All further inspection, maintenance and repair work must be performed by an authorised service centre or a similarly qualified specialist if you cannot solve the problem yourself!

<b>Problem</b>	<b>Possible cause</b>	<b>Solution</b>
1. Machine does not start.	1.1 Not connected to power supply 1.2 Supply cord or power plug is defective 1.3 Other electrical defect to the machine. 1.4 Trigger lock lever has flipped up. 1.5 Nozzle clogged. 1.6 Motor overheated.	1.1 Connect to a suitable socket-outlet. 1.2 Contact your nearest authorised service centre. 1.3 Contact your nearest authorised service centre. 1.4 Flip the trigger lock lever down. 1.5 Unclog the nozzle using the cleaning needle. 1.6 Switch off and unplug the machine. Let it cool down for 10 minutes and operate again.
2. Machine does not reach full power.	2.1 Extension cord not suitable for operation with this machine. 2.2 Power source (e.g. generator) has too low voltage. 2.3 Air vents are blocked. 2.4 Water inlet volume is too low. 2.5 High pressure hose is leaking. 2.6 Garden hose is leaking. 2.7 Inlet filter heavily soiled. 2.8 Air being sucked into the system. 2.9 Seals worn.	2.1 Use a proper extension cord. 2.2 Power source (e.g. generator) has too low voltage. 2.3 Clean the air vents 2.4 Fully open the water supply. 2.5 Replace it with a new high pressure hose. 2.6 Replace it with a new garden hose. 2.7 Clean the inlet filter. 2.8 Check tightness of hose fittings. 2.9 Contact your nearest authorised service centre.

<b>Problem</b>	<b>Possible cause</b>	<b>Solution</b>
3. Water leaks from the connection/ from the machine.	<p>3.1 High pressure hose is leaking.</p> <p>3.2 Garden hose is leaking.</p> <p>3.3 The O-ring on the water inlet hose adapter is broken.</p> <p>3.4 Seals worn.</p>	<p>3.1 Replace it with a new high pressure hose.</p> <p>3.2 Replace it with a new garden hose.</p> <p>3.3 Replace the water inlet hose adapter with a new one.</p> <p>3.4 Contact your nearest authorised service centre.</p>
4. Strong pressure fluctuations.	<p>4.1 Nozzle clogged.</p> <p>4.2 Water inlet volume is too low</p> <p>4.3 High-pressure hose is leaking</p> <p>4.4 Garden hose is leaking.</p> <p>4.5 Inlet filter is heavily soiled.</p> <p>4.6 Air being sucked into the system.</p> <p>4.7 Seals worn.</p>	<p>4.1 Unclog the nozzle using the cleaning needle.</p> <p>4.2 Fully open the water supply.</p> <p>4.3 Replace it with a new high pressure hose.</p> <p>4.4 Replace it with a new garden hose.</p> <p>4.5 Clean the inlet filter.</p> <p>4.6 Check the tightness of hose fittings.</p> <p>4.7 Contact your nearest authorised service centre.</p>
5. Excessive vibration/noise	<p>5.1 Screws and nuts loosened.</p> <p>5.2 Motor damaged.</p> <p>5.3 Water inlet volume is too low.</p>	<p>5.1 Check the fasteners for tightness. Retighten as necessary.</p> <p>5.2 Contact your nearest authorised service centre.</p> <p>5.3 Fully open the water supply.</p>

<b>Problem</b>	<b>Possible cause</b>	<b>Solution</b>
6. No detergent taken in.	6.1 Detergent too dense.	6.1 Dilute with water.
	6.2 Deposits or restriction in detergent circuit.	6.2 Flush with clean water and eliminate any restrictions. If the problem persists, contact an authorised service centre.
7. No water jet	7.1 No water supply.	7.1 Check water supply.
	7.2 Inlet filter is heavily soiled.	7.2 Clean the inlet filter.
	7.3 Hoses clogged.	7.3 Clean the hoses.
	7.4 Nozzle clogged.	7.4 Unclog the nozzle using the cleaning needle.

## Recycling and disposal



Waste electrical products should not be disposed of with household waste. Please recycle where facilities exist.

Check with your Local Authority or local store for recycling advice.

The machine comes in a package that protects it against damage during shipping. Keep the package until you are sure that all parts have been delivered and the machine is function properly. Recycle the package afterwards.



## Guarantee

We take special care to select high quality materials and use manufacturing techniques that allow us to create products incorporating design and durability. This product has a manufacturer's guarantee of 3 years against manufacturing defects, from the date of purchase (if bought in store) or date of delivery (if bought online), at no additional cost for normal (non-professional or commercial) household use.

To make a claim under this guarantee, you must present your proof of purchase (such as a sales receipt, purchase invoice or other evidence admissible under applicable law), please keep your proof of purchase in a safe place. For this guarantee to apply, the product you purchased must be new, it will not apply to second hand or display products. Unless stated otherwise by applicable law, any replacement product issued under this guarantee will only be guaranteed until expiry of the original period guarantee period.

This guarantee covers product failures and malfunctions provided the product was used for the purpose for which it is intended and subject to installation, cleaning, care and maintenance in accordance with the information contained in these terms and conditions, in the user manual and standard practice, provided that standard practice does not conflict with the user manual.

This guarantee does not cover defects and damage caused by normal wear and tear or damage that could be the result of improper use, faulty installation or assembly, neglect, accident, misuse, or modification of the product. Unless stated otherwise by applicable law, this guarantee will not cover, in any case, ancillary costs (shipping, movement, costs of uninstalling and reinstalling, labour etc), or direct and indirect damage.

Rights under this guarantee are enforceable in the country in which you purchased this product. Guarantee related queries should be addressed to the store you purchased this product from.

The guarantee is in addition to and does not affect your statutory rights.





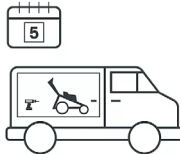
This guarantee does not affect your statutory rights.

## 1 Customer care and technical helpline

### A BETTER WAY TO REPAIR YOUR TOOLS

Kingfisher takes special care in creating high-quality garden power tools that are designed to last. But if a fault develops with your garden power tool and you need to claim under the guarantee, the Customer Care and Technical Helpline can support with technical assistance or if required, arrange a free courier collection from your home, assess your garden power tool for fault, repair it, and return it.

Deciding to repair your product rather than buying a replacement and adding to the mountain of waste is a more sustainable choice and you will be doing your bit for the environment.

How does it work?				
				
<b>Step 1</b>	<b>Step 2</b>	<b>Step 3</b>	<b>Step 4</b>	<b>Step 5</b>
Find your proof of purchase and get in touch with the Customer Care and Technical Helpline.	Chat to them about the problem with your tool.	They will provide technical and user advice or alternatively arrange a courier collection from your home*.	The team will access and test and if necessary, repair your product back to full working order.	Your repaired tool will be returned to you via courier within 5 working days.



**NOTE:** Before collection, all fuel must be removed from petrol powered machines.

## GET IN TOUCH

If you need help or more information, please contact the Customer Care and Technical Helpline:

UK: 0800 0789647

EIRE: 1800 932226

Opening hours are Monday – Friday, 8am-5pm

## 2 Availability of spare parts

Contact the customer service helpline for assistance or visit [www.kingfishersspares.com](http://www.kingfishersspares.com)

For assistance contact the customer services helpline:

UK: 0800 0789647 [uk@kingfishersservice.com](mailto:uk@kingfishersservice.com)

EIRE: 1800 932226 [eire@kingfishersservice.com](mailto:eire@kingfishersservice.com)

Further information about this product can also be found at:

[www.kingfisher.com/products](http://www.kingfisher.com/products)





## Declaration of conformity



(EN) EU DECLARATION OF CONFORMITY  
(FR) DÉCLARATION UE DE CONFORMITÉ  
(PL) DEKLARACJA ZGODNOŚCI UE  
(RO) DECLARAȚIA DE CONFORMITATE UE  
(ES) DECLARACIÓN UE DE CONFORMIDAD  
(PT) DECLARAÇÃO DE CONFORMIDADE UE

Product/ Produit/ Produkt/Produsul/Producto/Producto

- > Product name – High Pressure Washer/ Nettoyeur haute pression/ Myjka ciśnieniowa/ Aparat de spălat cu înaltă presiune/ Hochdruckreiniger/ Hidrolimpiadora de alta presión/ Lavadora a alta pressão
- > Product model – EBPW3000
- > Type / batch or serial number range 000001 to 999999

Name and address of the manufacturer or his authorised representative:  
Nom et adresse du fabricant ou de son mandataire:  
Nazwa i adres producenta lub jego upoważnionego przedstawiciela:  
Denumirea și adresa producătorului sau a reprezentantului său autorizat:  
Nombre y dirección del fabricante o de su representante autorizado:  
Nome e endereço do fabricante ou do respetivo mandatário:

Kingfisher International Products B.V.,  
Rapenburgerstraat 175E,  
1011 VM Amsterdam,  
The Netherlands

This declaration of conformity is issued under the sole responsibility of the manufacturer.  
La présente déclaration de conformité est établie sous la seule responsabilité du fabricant.  
Niniejsza deklaracja zgodności wydana zostaje na wyłączną odpowiedzialność producenta.  
Prezenta declarație de conformitate este emisă pe răspunderea exclusivă a producătorului.  
La presente declaración de conformidad se expide bajo la exclusiva responsabilidad del fabricante.  
A presente declaração de conformidade é emitida sob a exclusiva responsabilidade do fabricante.

Object of the declaration/Objet de la declaration/Przedmiot deklaracji/Obiectul declarației/Objeto de la declaración/Objeto da declaração

Product/Produit/Produkt/ Produsul/Producto/ Produto	Model/Modèle/Model/Modelul/ Modelo/ Modelo	EAN
High Pressure Washer/ Nettoyeur haute pression/ Myjka ciśnieniowa/ Aparat de spălat cu înaltă presiune/ Hochdruckreiniger/ Hidrolimpiadora de alta presión/ Lavadora a alta pressão	EBPW3000	EU : 5063022018915 UK : 5063022018892

The object of the declaration described above is in conformity with the relevant Union harmonisation legislation:

L'objet de la déclaration décrit ci-dessus est conforme à la législation d'harmonisation de l'Union applicable:

Wymieniony powyżej przedmiot niniejszej deklaracji jest zgodny z odnośnymi wymaganiami unijnego prawodawstwa harmonizacyjnego:

Obiectul declarației descris mai sus este în conformitate cu legislația relevantă de armonizare a Uniunii:

El objeto de la declaración descrita anteriormente es conforme con la legislación de armonización pertinente de la Unión:

O objeto da declaração acima descrito está em conformidade com a legislação de harmonização da União aplicável:

2006/42/EC as amended	Machinery Directive
2014/30/EU as amended	Directive Electromagnetic compatibility
2000/14/EC as amended	Outdoor Noise Directive
2011/65/EU as amended	Directive Restriction of the use of certain hazardous substances in electrical and electronic equipment
Directive 2006/42/CE relative aux machines	
2014/30 / UE telle que modifiée Directive Compatibilité électromagnétique	
Directive 2000/14/CE relative aux émissions sonores extérieures	
Directive 2011/65/UE relative à la limitation de l'utilisation de certaines substances dangereuses dans les équipements électriques et électroniques	
2006/42/WE w zmienionej dyrektywie maszynowej	
2014/30 / UE ze zmianami Dyrektywa Kompatybilność elektromagnetyczna	
2000/14/WE w zmienionej dyrektywie w sprawie hałasu na zewnątrz	
2011/65 / UE ze zmianami Dyrektywa Ograniczenie stosowania niektórych niebezpiecznych substancji w sprzęcie elektrycznym i elektronicznym	
2006/42/CE, astfel a fost modificată Directiva privind echipamentele	
2014/30/UE, astfel a fost modificată Directiva privind compatibilitatea electromagnetică	
2000/14/CE, astfel a fost modificată Directiva privind zgomotul în aer liber	
2011/65/UE, astfel a fost modificată Directiva privind limitarea utilizării anumitor substanțe periculoase în echipamentele electrice și electronice	
Directiva sobre maquinaria modificada 2006/42/CE	
2014/30/UE modificada Directiva Compatibilidad electromagnética	
2000/14/CE modificada Directiva sobre ruido al aire libre	
2011/65/UE modificada Directiva Restricción del uso de determinadas sustancias peligrosas en equipos eléctricos y electrónicos	
2006/42/CE como diretiva de máquinas alteradas	
2014/30/UE como alteração da compatibilidade eletromagnética	
2000/14/CE como diretiva de ruído exterior alterada	
2011/65/UE como restrição diretiva alterada da utilização de certas substâncias perigosas em equipamentos elétricos e eletrônicos	

**Measured Sound Power Level**  
**Le niveau de puissance acoustique mesuré**  
**Zmierzony poziom mocy akustycznej**  
**Nivel de putere acustică măsurat**  
**Nível de potencia sonora medido**  
**Nível de potência sonora medido**  
**: 93 dB(A)**

**Guaranteed Sound Power Level**  
**Le niveau de puissance acoustique garant**  
**Gwarantowany poziom mocy akustycznej**  
**Nivel de putere acustică garantat**  
**Nível de potencia sonora garantizado**  
**Nível de potência sonora garantido**  
**: 96 dB(A)**

References to the relevant harmonised standards used or references to the other technical specifications in relation to which conformity is declared:

Références des normes harmonisées pertinentes appliquées, y compris la date de celles-ci, ou des autres spécifications techniques, y compris la date de celles-ci, par rapport auxquelles la conformité est déclarée:

Odwolania do odnośnych norm zharmonizowanych, które zastosowano, wraz z datą normy, lub do innych specyfikacji technicznych, wraz z datą specyfikacji, w odniesieniu do których deklarowana jest zgodność:

Trimiteri la standardele armonizate relevante folosite, inclusiv data standardului, sau trimeri la celelalte specificații tehnice, inclusiv data specificațiilor, în legătură cu care se declară conformitatea:

Referencias a las normas armonizadas pertinentes utilizadas, incluidas las fechas de las normas, o referencias a las otras especificaciones técnicas, incluidas las fechas de las especificaciones, respecto a las cuales se declara la conformidad:

Referências às normas harmonizadas aplicáveis utilizadas, incluindo a data da norma, ou às outras especificações técnicas, incluindo a data da especificação, em relação às quais é declarada a conformidade:

EN 60335-1:2012/A15:2021

EN 60335-2-79: 2012

EN 62233:2008

EN 55014-1:2017/A11:2020

EN 55014-2:1997/A2:2008

EN 61000-3-2:2014

EN 61000-3-3:2013

EN IEC 55014-1:2021

EN IEC 55014-2:2021

EN IEC 61000-3-2:2019/A1:2021

EN IEC 61000-3-11:2019

EN ISO 3744:1995

Authorised signatory and technical file holder/signataire et responsable de la documentation technique  
authorisé/ podmiot uprawniony do wystawienia i adres prezechowywania dokumentacji technicznej/  
semnatar autorizat și deținător al dosarului tehnic/firmante autorizado y titular del expediente tecnico/  
signatário autorizado e detentor da ficha técnica

Kingfisher International Products B.V.,  
Rapenburgerstraat 175E,  
1011 VM Amsterdam,  
The Netherlands



David Awe  
Group Quality Director

[30/10/2022]



UK DECLARATION OF CONFORMITY

Machine

- > High Pressure Washer
- > EBPW3000
- > 3000 W
- > 000001 to 999999

Name and address of the manufacturer or his authorised representative:

Kingfisher International Products B.V.,  
Rapenburgerstraat 175E,  
1011 VM Amsterdam,  
The Netherlands  
[www.kingfisher.com/products](http://www.kingfisher.com/products)

This declaration of conformity is issued under the sole responsibility of the manufacturer.

Object of the declaration

**Machine**

**Model**

**EAN**

High Pressure Washer

EBPW3000

5063022018892

The object of the declaration described above is in conformity with the relevant Union harmonisation legislation:

2006/42/EC	Machinery Directive
2014/30/EU	Directive Electromagnetic compatibility
2000/14/EC	Outdoor Noise Directive
2011/65/EU,(EU) 2015/863	Directive Restriction of the use of certain hazardous substances in electrical and electronic equipment

Measured Sound Power Level: 93 dB(A)

Guaranteed Sound Power Level: 96 dB (A)

References to the relevant harmonised standards used or references to the other technical specifications in relation to which conformity is declared:

EN 60335-1:2012/A15:2021  
EN 60335-2-79:2012  
EN 62233:2008  
EN 60704-1:2012  
EN ISO 3744:2010

EN 55014-1:2017/A11:2020  
EN 55014-2:1997/A2:2008  
EN 61000-3-2:2014  
EN 61000-3-3:2013

Authorized signatory and technical file holder:

Kingfisher International Products B.V.,  
Rapenburgerstraat 175E,  
1011 VM Amsterdam,  
The Netherlands

David Awe  
Group Quality & Sustainability Director  
On: 15/07/2022

# Erbauer®

**Manufacturer, Fabricant, Prodecent,  
Producător, Fabricante:**

**UK Manufacturer:**

Kingfisher International Products Limited  
1 Paddington Square, London, W2 1GG,  
United Kingdom

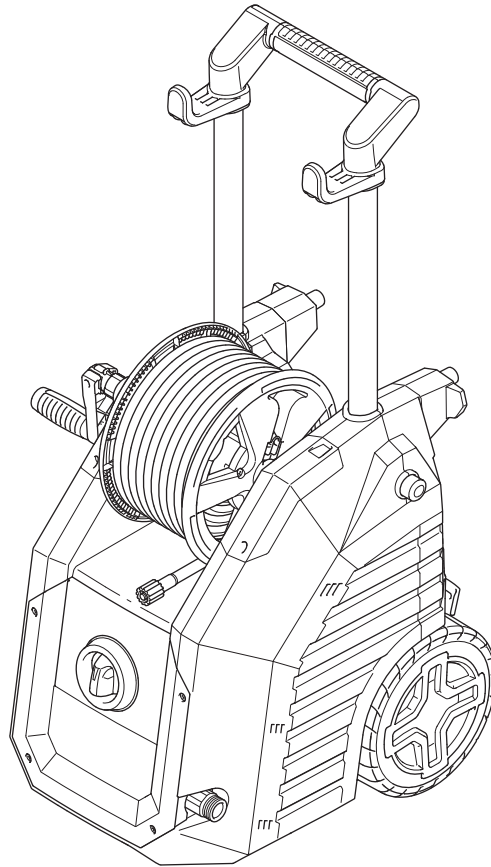
**EU Manufacturer:**

Kingfisher International Products B.V.  
Rapenburgerstraat 175E 1011 VM Amsterdam  
The Netherlands



[www.diy.com](http://www.diy.com)  
[www.screwfix.com](http://www.screwfix.com)  
[www.screwfix.ie](http://www.screwfix.ie)

To view instruction manuals online,  
visit [www.kingfisher.com/products](http://www.kingfisher.com/products)



# EBPW3000

EAN: 5063022018915, 5063022018892

INSTRUCTIONS D'ORIGINE



V20424\_5063022018915\_MAND2\_2324



Description de la machine

4



Consignes de sécurité

10



Montage

20



Utilisation

23



+



Entretien et maintenance

31



Garantie

38



Déclaration de conformité

39



=



**AVERTISSEMENT !** Avant de manipuler la machine, il est nécessaire d'avoir lu attentivement et parfaitement compris tous les avertissements de sécurité.

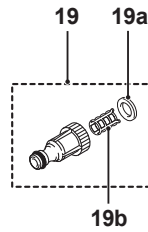
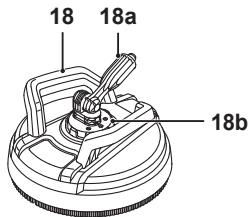
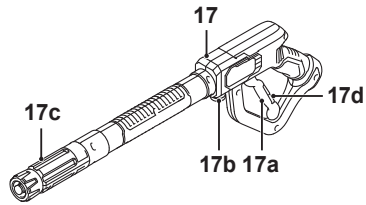
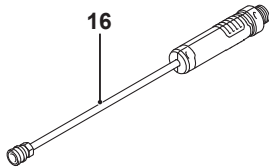
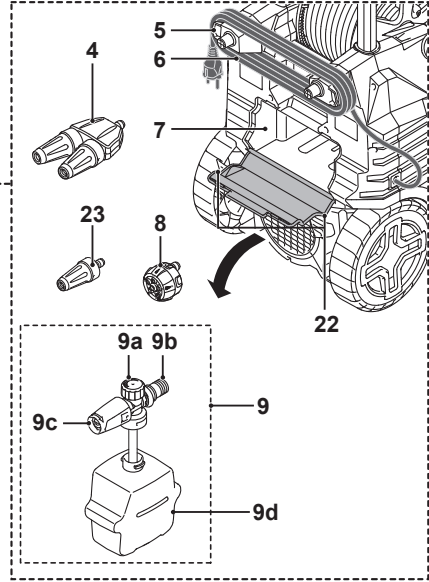
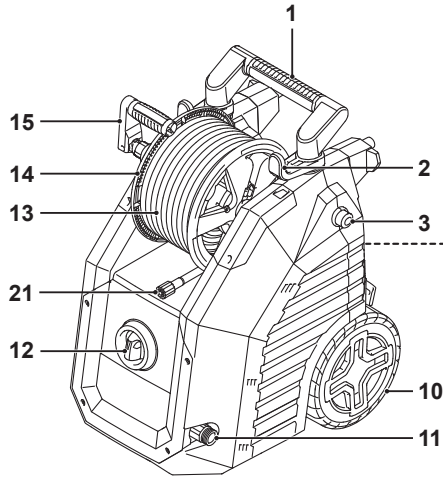
## DESCRIPTION DE LA MACHINE

1. Poignée de transport
2. Support de pistolet à gâchette
3. Bouton de déverrouillage
4. Buse rotative double
5. Support de cordon d'alimentation (x2)
6. Cordon d'alimentation avec fiche secteur
7. Compartiment des accessoires
8. Buse 5-en-1
9. Canon à mousse
  - a. Bouton de réglage du débit
  - b. Raccord
  - c. Buse
  - d. Réservoir de détergent
10. Roue (x2)
11. Entrée d'eau
12. Interrupteur marche/arrêt (O/I)
13. Tuyau haute pression
14. Dévidoir
15. Manivelle
16. Lance télescopique
17. Pistolet à gâchette
  - a. Levier de la gâchette
  - b. Raccord de tuyau
  - c. Bouton de réglage de la pression
  - d. Levier de verrouillage de la gâchette
18. Brosse pour terrasse
  - a. Connecteur de lance télescopique
  - b. Molette de réglage de la pression
19. Adaptateur du tuyau d'entrée d'eau
  - a. Joint
  - b. Filtre d'entrée
20. Aiguille de nettoyage
21. Sortie d'eau
22. Porte-accessoire (x2)
23. Buse rotative simple

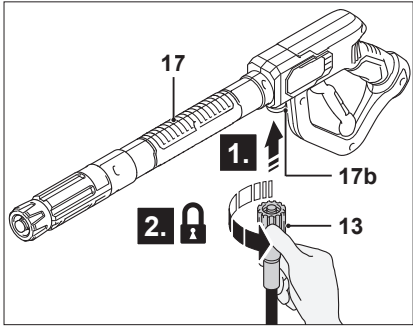




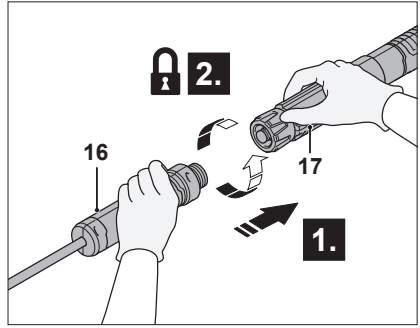
# Description de la machine



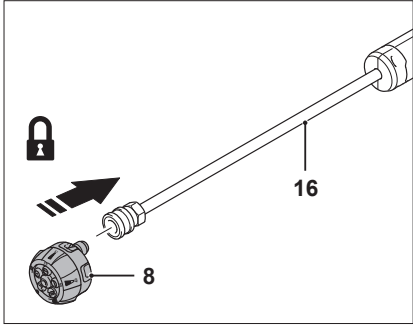
1



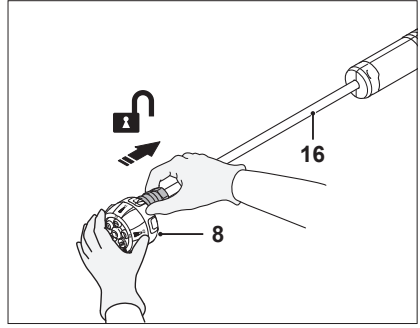
2



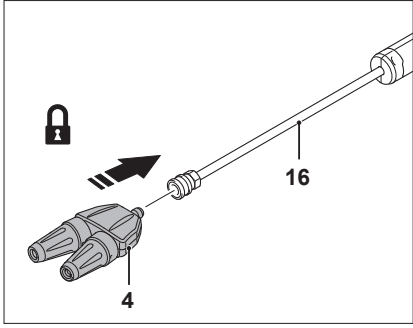
3



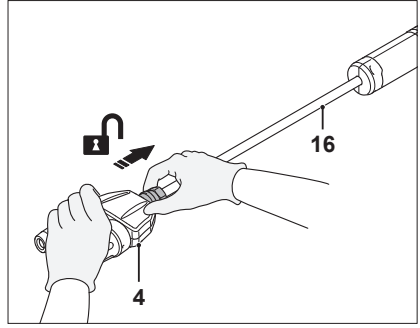
4



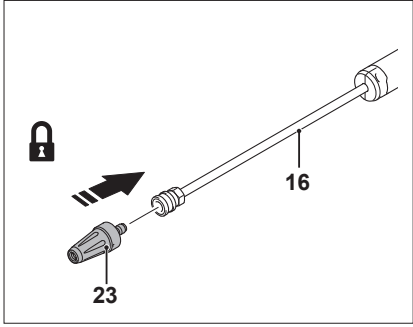
5



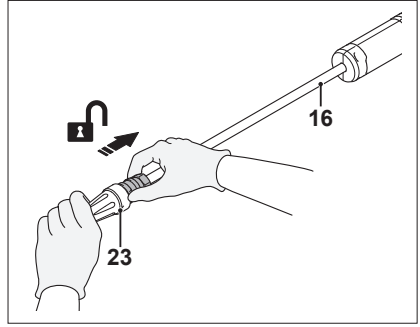
6



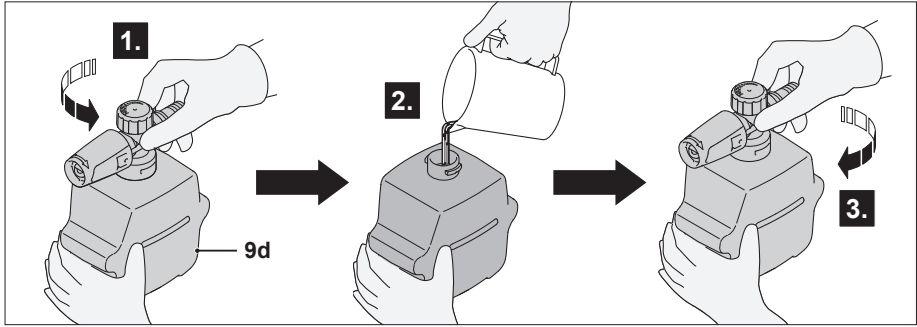
7



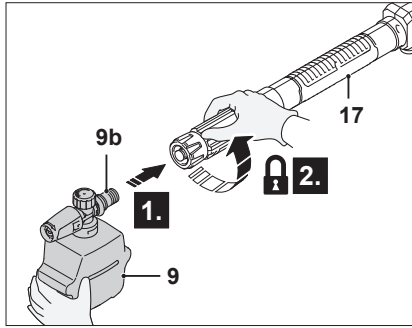
8



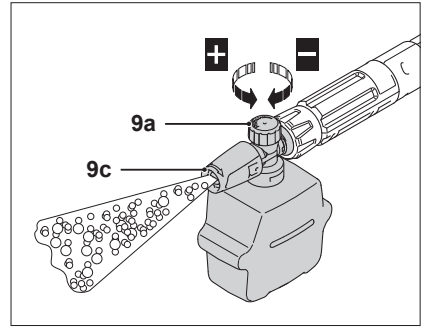
9



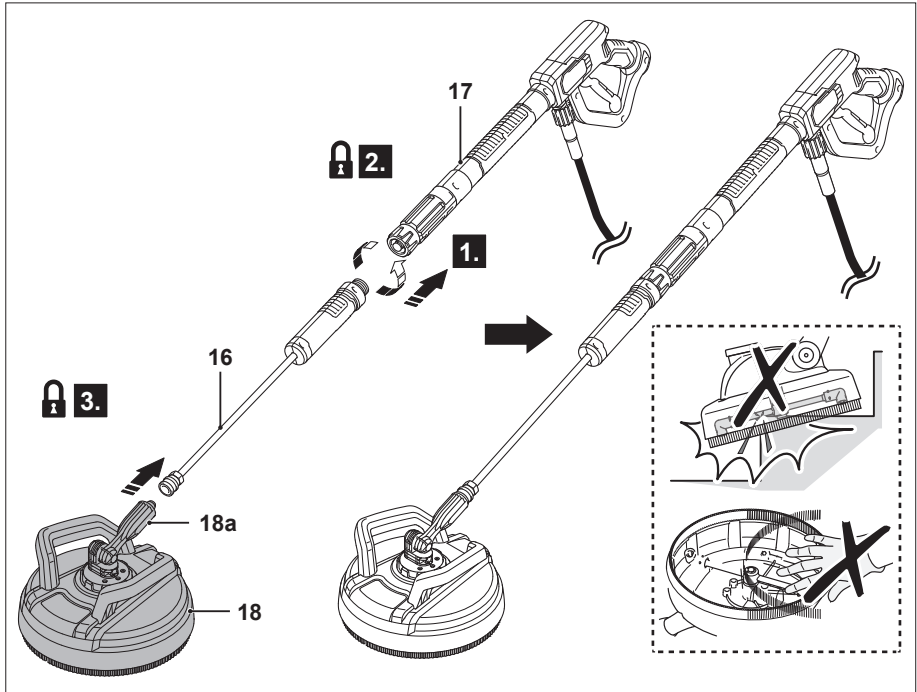
10



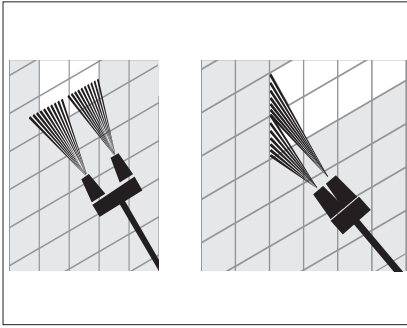
11



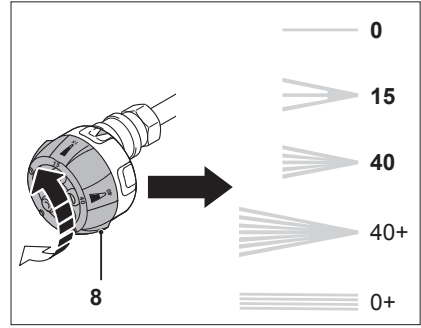
12



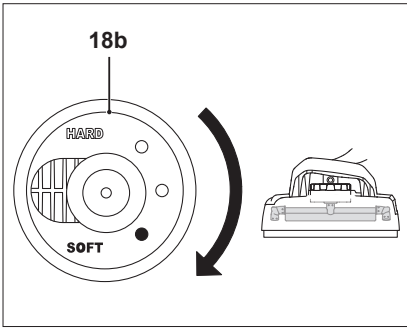
13



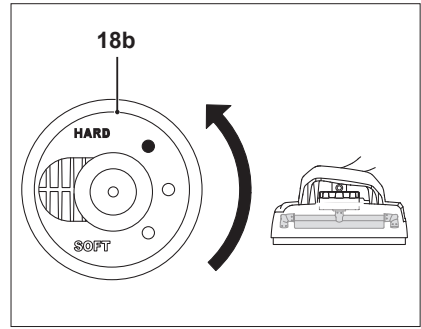
14



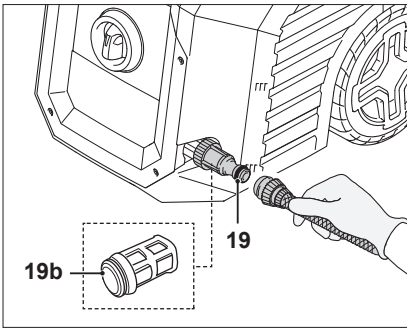
15



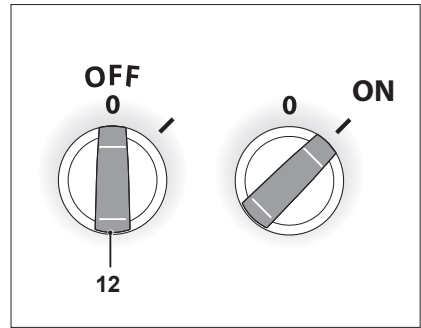
16



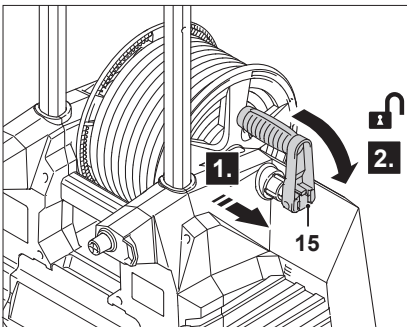
17



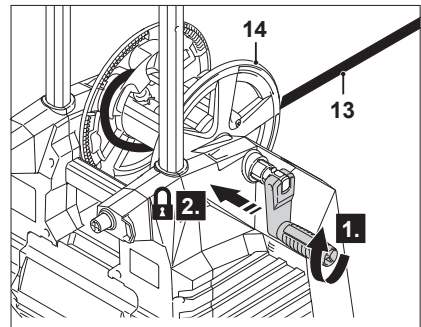
18



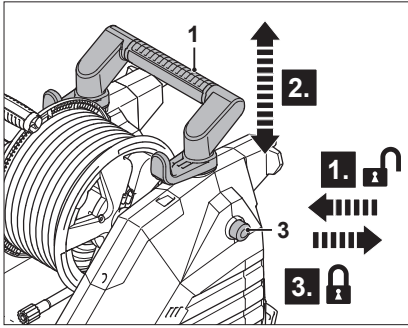
19



20



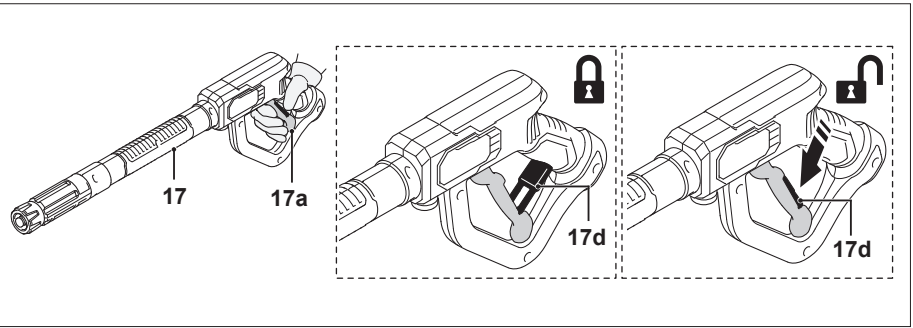
21



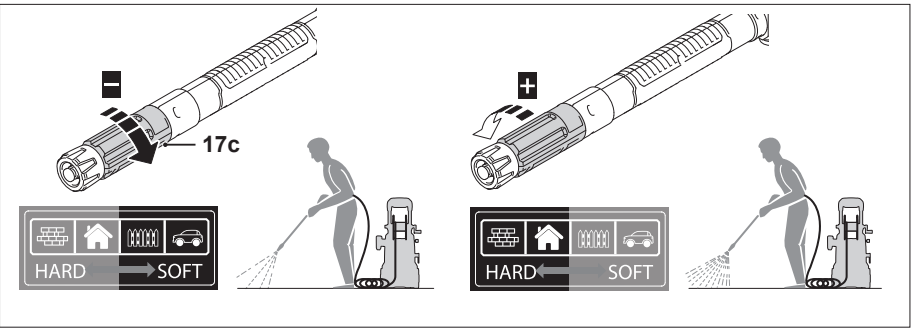
22



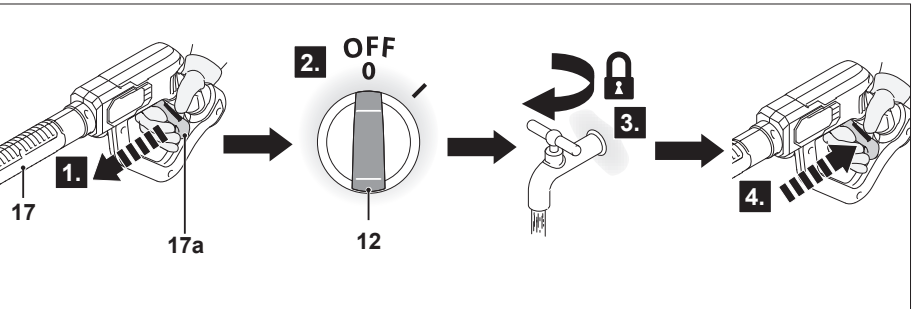
23



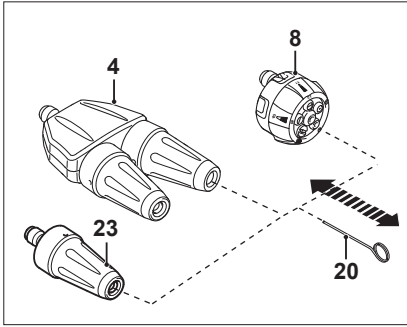
24



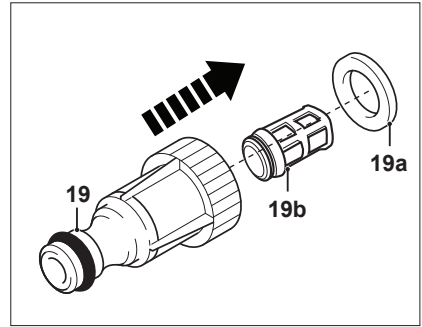
25



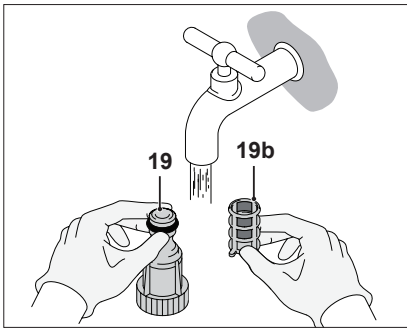
26



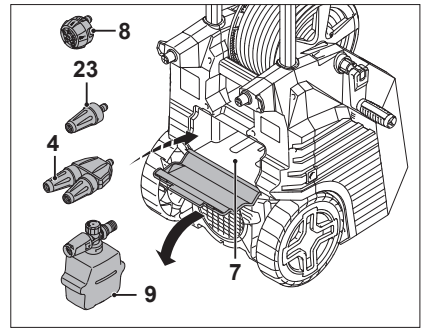
27



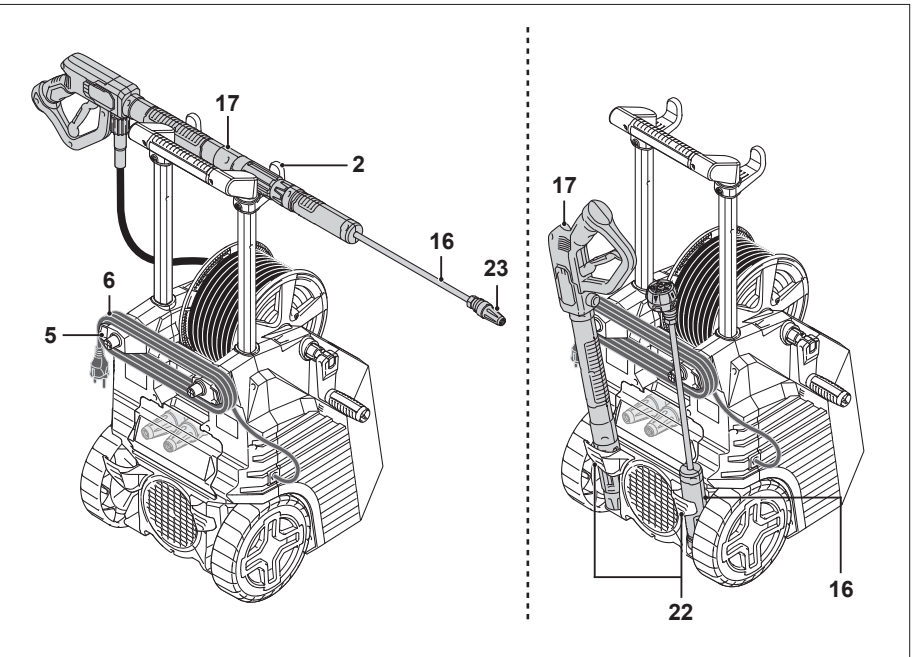
28



29



30





## Consignes de sécurité



**AVERTISSEMENT** Lire tous les avertissements de sécurité, les instructions, les illustrations et les spécifications fournis avec cette machine. Le non-respect des instructions ci-après peut provoquer une électrocution, un incendie et/ou des blessures graves.

**Conserv**er tous les avertissements et toutes les instructions pour pouvoir s'y reporter ultérieurement.

- Les machines ne doivent pas être utilisées par des enfants. Il convient de surveiller les enfants afin de s'assurer qu'ils ne jouent pas avec l'appareil.
- Cette machine peut être utilisée par des personnes ayant des capacités physiques, sensorielles ou mentales ou le manque d'expérience et de connaissances si elles ont été encadrées ou formées concernant l'utilisation de la machine de façon sûre et connaissent les risques encourus.

### **SÉCURITÉ DU NETTOYEUR HAUTE PRESSION**

- **MISE EN GARDE** : Cette machine a été conçue pour être utilisée avec l'agent nettoyant fourni ou recommandé par le fabricant. L'utilisation d'autres agents nettoyants ou produits chimiques peut affecter la sécurité de la machine.
- **AVERTISSEMENT** : Lors de l'utilisation de nettoyeurs haute pression, des aérosols peuvent se former. L'inhalation d'aérosols peut être dangereuse pour la santé.

- MISE EN GARDE : Les jets à haute pression peuvent être dangereux s'ils sont mal utilisés. Le jet ne doit pas être dirigé vers des personnes, vers des équipements électriques sous tension ou vers la machine elle-même.
- MISE EN GARDE : Ne pas utiliser la machine à proximité d'autres personnes à moins qu'elles ne portent des vêtements de protection.
- MISE EN GARDE : Ne pas diriger le jet contre vous-même ou d'autres personnes pour nettoyer des vêtements ou des chaussures.
- MISE EN GARDE : Risque d'explosion – Ne pas pulvériser de liquides inflammables.
- MISE EN GARDE : Les appareils de nettoyage à haute pression ne doivent pas être utilisés par des enfants ou du personnel non formé.
- MISE EN GARDE : Les flexibles, accessoires et raccords haute pression sont importants pour la sécurité de la machine. N'utiliser que les flexibles, accessoires et raccords recommandés par le fabricant.
- MISE EN GARDE : Pour assurer la sécurité de la machine, n'utiliser que des pièces de rechange provenant du fabricant ou approuvées par ce dernier.
- MISE EN GARDE : L'eau qui s'est écoulée à travers des dispositifs antiretour est considérée comme non potable.
- MISE EN GARD : La machine doit être déconnectée de sa source d'alimentation en retirant la fiche du socle de prise de courant, lors du nettoyage et de l'entretien, du remplacement de pièces ou du passage de la machine à une autre fonction.



- MISE EN GARDE : Ne pas utiliser la machine si le câble d'alimentation ou des parties importantes de la machine sont endommagés (les dispositifs de sécurité, les flexibles haute pression, le pistolet, par exemple).
- MISE EN GARDE : Des câbles d'extension non appropriés peuvent être dangereux. Si un câble d'extension est utilisé, il doit convenir pour une utilisation à l'extérieur et la connexion doit être sèche et maintenue au-dessus du sol. Pour cela, il est recommandé d'utiliser une bobine de câble qui maintient la prise de courant à au moins 60 mm au-dessus du sol.
- MISE EN GARDE : Toujours mettre l'interrupteur raccordé au réseau sur la position "arrêt" lorsque la machine est laissée sans surveillance.
- Ne jamais utiliser la machine avec des liquides inflammables ou toxiques ou des liquides dont les caractéristiques ne sont pas compatibles avec son fonctionnement correct.
- Ne jamais utiliser la machine à l'extérieur sous la pluie.
- Ne jamais verrouiller le pistolet à gâchette en position de fonctionnement.
- Vérifier que la machine est équipée de son étiquette signalétique ; contacter le revendeur si celle-ci est manquante. Les machines sans étiquette signalétique ne doivent pas être utilisées, car elles ne peuvent pas être identifiées et sont potentiellement dangereuses.
- Ne jamais modifier ou ajuster le réglage de la soupape de sécurité ou des dispositifs de sécurité.
- Ne jamais modifier le diamètre d'origine de la buse réglable.
- Ne jamais laisser la machine sans surveillance lorsqu'elle est en marche.

- Ne pas laisser de véhicules rouler sur le tuyau haute pression.
- Ne pas déplacer la machine en tirant sur le tuyau haute pression.
- Le jet haute pression représente un danger potentiel lorsqu'il est dirigé vers les pneus, les valves de pneus ou d'autres composants sous pression. Ne pas appliquer de jet continu et toujours maintenir la buse à une distance d'au moins 30cm pendant le nettoyage.
- Protéger tous les conducteurs électriques contre le jet d'eau.
- Une pression élevée peut provoquer le rebond des pièces ; porter tous les vêtements et équipements de protection nécessaires pour assurer la sécurité de l'utilisateur.
- Porter des équipements de protection individuelle (EPI) lors de l'utilisation des appareils de nettoyage à haute pression (p. ex. bottes de sécurité, gants de sécurité, casques de sécurité avec visière, protection auditive, etc.).
- Attention au recul : tenir fermement le pistolet lors de l'actionnement de la gâchette.
- Respecter les réglementations de l'autorité locale d'approvisionnement en eau. En vertu de la norme EN 12729 (BA), la machine peut être raccordée directement à l'alimentation en eau potable uniquement si le tuyau d'alimentation est équipé d'un dispositif antiretour avec dispositif de drainage.
- Libérer la pression résiduelle avant de débrancher le tuyau de la machine.
- Avant chaque utilisation, et à intervalles réguliers, vérifier que toutes les fixations métalliques sont serrées et que les composants de la machine sont en bon état ; vérifier qu'aucune pièce n'est cassée ou usée.

- **AVERTISSEMENT** : Utiliser uniquement des détergents compatibles avec le revêtement des tuyaux haute pression ou d'autres revêtements.
- Le raccordement au réseau électrique doit être effectué par un électricien qualifié et satisfaire à l'IEC 60364-1. Il est recommandé que l'alimentation électrique de cette machine comporte soit un dispositif à courant résiduel différentiel qui interrompt l'alimentation dès que le courant de fuite à la terre dépasse 30 mA pendant 30 ms, soit un dispositif qui vérifie le circuit de terre.
- Si le câble d'alimentation est endommagé, il doit être remplacé par le fabricant, son service après-vente ou des personnes de qualification similaire afin d'éviter un danger.
- On doit utiliser les ensembles de raccordement neufs fournis avec l'appareil, il convient de ne pas réutiliser les ensembles de raccordement usagés.
- **MISE EN GARDE** : Le nettoyage et l'entretien par l'utilisateur ne doivent pas être effectués par des enfants.

## **RÉDUCTION DU BRUIT ET DES VIBRATIONS**

Pour réduire l'impact des émissions sonores et des vibrations, limiter le temps d'utilisation, utiliser les modes de fonctionnement à faibles vibrations et silencieux, et porter un équipement de protection individuelle.

Prendre les points suivants en compte pour minimiser les risques d'exposition aux vibrations et au bruit :

- a) Utiliser la machine uniquement de la manière prévue par sa conception et ces instructions.
- b) S'assurer que la machine est en bon état et bien entretenue.
- c) Utiliser les accessoires adaptés à la machine et s'assurer qu'ils sont en bon état.
- d) Tenir fermement le pistolet à gâchette avec les deux mains.

- e) Entretien de cette machine conformément aux présentes instructions.
- f) Organiser l'emploi du temps pour répartir toute utilisation d'un outil à fortes vibrations sur une période de temps plus longue.
- g) Une utilisation prolongée de la machine expose l'utilisateur à des vibrations pouvant causer une série de troubles physiques connus sous le nom de syndrome des vibrations main-bras (HAVS) (par ex. les doigts deviennent blancs), de même que certaines maladies telles que le syndrome du canal carpien. Pour réduire ce risque lors de l'utilisation de la machine, toujours porter des gants de protection et garder les mains au chaud.

## URGENCE

Se familiariser avec l'utilisation de cette machine à l'aide de ce manuel d'instructions. Mémoriser les consignes de sécurité et les suivre à la lettre. Cela aidera à prévenir les risques et dangers.

- a) **Toujours rester vigilant lors de l'utilisation de cette machine, de façon à reconnaître et gérer rapidement les risques.** Une intervention rapide peut prévenir des blessures graves et des dégâts matériels.
- b) **Éteindre et débrancher du secteur en cas de dysfonctionnement.** Faire vérifier la machine par un professionnel qualifié et la faire réparer, si nécessaire, avant de l'utiliser à nouveau.

## RISQUES RÉSIDUELS

**Même en cas d'utilisation de cette machine conformément à toutes les exigences de sécurité, des risques de blessures et de dommages demeurent. Les dangers suivants peuvent survenir en relation avec la structure et la conception de cette machine :**

- a) Problèmes de santé résultant de l'émission de vibrations si la machine est utilisée sur de longues périodes ou si elle n'est pas utilisée et entretenue correctement.
- b) Blessures et dégâts matériels dus à des outils cassés ou à l'impact soudain d'objets cachés pendant l'utilisation.
- c) Danger de blessures et de dégâts matériels causés par des projections d'objets.



**AVERTISSEMENT** Cette machine génère un champ électromagnétique durant le fonctionnement ! Ce champ peut dans certains cas nuire à des implants médicaux actifs ou passifs ! Pour réduire le risque de blessures graves, voire mortelles, nous recommandons aux personnes ayant des implants médicaux de consulter leur médecin et le fabricant de l'implant médical avant d'utiliser cette machine !

## 01 Caractéristiques techniques

	5063022018892	5063022018915
<b>Généralités</b>		
<b>Tension nominale/fréquence :</b>	220 – 240 V ~ / 50 Hz	230 V ~ / 50 Hz
<b>Puissance nominale :</b>	3000 W	3000 W
<b>Pression nominale :</b>	12 MPa	12,5 MPa
<b>Pression max. admissible :</b>	18 MPa	18 MPa
<b>Pression d'entrée d'eau max. :</b>	1 MPa	1 MPa
<b>Débit nominal :</b>	8,33 L/min	8,83 L/min
<b>Débit nominal max. :</b>	9,5 L/min	10 L/min
<b>Température nominale :</b>	50°C	50°C
<b>Force de recul du pistolet à la pression max. :</b>	< 21,5 Nm	< 23,3 Nm
<b>Catégorie de protection :</b>	I / Ⓢ	I / Ⓢ
<b>Indice de protection :</b>	IPX5	IPX5
<b>Poids :</b>	25,5 kg	25,5 kg
<b>Dimensions :</b>	441 x 479 x 864 mm	441 x 479 x 864 mm

## Tuyau haute pression

<b>Pression admissible :</b>	20 MPa	20 MPa
<b>Température maximale :</b>	60 °C	60 °C
<b>Longueur :</b>	10 m	10 m
<b>Tuyau d'eau (non fourni)</b>		
<b>Qualité :</b>	Tuyau renforcé	Tuyau renforcé
<b>Diamètre :</b>	min. Ø 12,7 mm (½")	min. Ø 12,7 mm (½")
<b>Longueur :</b>	max. 10 m	max. 10 m

## Niveau sonore

<b>Niveau de pression acoustique <math>L_{pA}</math></b>	80,7 dB(A)	80,7 dB(A)
<b>Incertitude <math>K_{pA}</math></b>	2,50 dB(A)	2,50 dB(A)
<b>Niveau de puissance acoustique mesuré <math>L_{WA}</math></b>	92,2 dB(A)	92,2 dB(A)
<b>Incertitude <math>K_{WA}</math></b>	2,50 dB(A)	2,50 dB(A)
<b>Niveau de puissance acoustique garanti <math>L_{WA}</math> (selon la directive 2000/14/CE modifiée par la directive 2005/88/CE)</b>	96 dB(A)	96 dB(A)

## Niveau de vibrations

<b>Valeur d'émission de vibrations déclarée <math>a_{hd}</math> :</b>	<2,5 m/s <sup>2</sup>	<2,5 m/s <sup>2</sup>
<b>Incertitude <math>K</math> :</b>	1,0 m/s <sup>2</sup>	1,0 m/s <sup>2</sup>

Les valeurs sonores ont été déterminées conformément au code de test de bruit indiqué dans la norme EN 60335-2-79, à l'aide des normes de base ISO 3744 et ISO 11203.

Le niveau d'intensité sonore pour l'utilisateur est susceptible de dépasser 80dB(A) et des protections auditives sont nécessaires.

La valeur d'émission de vibrations déclarée a été mesurée conformément à une procédure de test standard (selon la norme EN 60335-2-79) et peut être utilisée pour la comparaison d'une machine avec une autre. La valeur d'émission de vibrations déclarée peut également être utilisée lors d'une évaluation préliminaire d'exposition.



**AVERTISSEMENT !** En fonction de l'utilisation réelle de la machine, les valeurs d'émission de vibrations peuvent différer de la valeur déclarée totale. Adopter des mesures appropriées pour vous protéger contre l'exposition aux vibrations. Prendre en compte l'ensemble du processus de travail, y compris lorsque la machine est en marche à vide ou éteinte. Les mesures appropriées comprennent entre autres la maintenance et l'entretien régulier de la machine et des accessoires de coupe, garder les mains au chaud, des pauses périodiques et une bonne planification des processus de travail.

## 02 Symboles

La machine, la plaque signalétique et les présentes instructions comportent, entre autres, les symboles et abréviations suivants. Se familiariser avec ces derniers afin de réduire les risques tels que les blessures et les dommages matériels.

V~	Volt (tension alternative)	kg	Kilogramme
Hz	Hertz	dB (A)	Décibel (évalué en A)
W	Watt	m/s <sup>2</sup>	Mètres par seconde carrée
/min ou min <sup>-1</sup>	Par minute	MPa	Mégapascal, unité de pression
mm	Millimètre	bar	Unité de pression
P <sub>rated</sub>	Pression nominale	Q <sub>rated</sub>	Débit nominal
P <sub>max</sub>	Pression admissible	Q <sub>max</sub>	Débit max.
P <sub>IN MAX</sub>	Pression d'entrée d'eau max.		
IPX5	La machine est protégée contre l'eau (en provenance d'une buse) venant de toutes les directions.		
yyWxx	Code de date de fabrication : année de fabrication (20yy) et semaine de fabrication (Wxx).		
EBPW3000	EB_Nom de la marque ; PW_Nettoyeur haute pression ; 3000_Puissance		

### Description des termes d'avertissement :

#### **DANGER !**

Ce terme d'avertissement indique un danger d'un niveau de risque élevé qui, s'il n'est pas évité, entraîne des blessures graves, voire mortelles.

#### **AVERTISSEMENT !**

Ce terme d'avertissement indique un danger d'un niveau de risque moyen qui, s'il n'est pas évité, peut entraîner des blessures graves, voire mortelles.

#### **ATTENTION !**

Ce terme d'avertissement indique un danger d'un niveau de risque faible qui, s'il n'est pas évité, peut entraîner des blessures légères à modérées.

#### **REMARQUE :**

Indique un conseil pratique, une astuce ou une pratique sans rapport avec des blessures corporelles.



Verrouiller/serrer ou sécuriser.



Porter des protections auditives.



Déverrouiller/desserrer.



Porter des lunettes de protection.



Remarque.



Porter une protection respiratoire.



**AVERTISSEMENT** Lire la notice d'instructions avant d'utiliser la machine.



Porter des gants de protection.



Porter des chaussures de sécurité antidérapantes.



Mettre la machine hors tension et la débrancher de l'alimentation électrique avant l'assemblage, le nettoyage, les réglages, la maintenance, le rangement et le transport.



Toujours s'assurer que les personnes présentes et les animaux de compagnie restent à une distance sûre de la machine lorsqu'elle fonctionne. En général, les enfants ne doivent pas s'approcher de la zone dans laquelle se trouve la machine.



Ne pas exposer la machine à la pluie ou à des conditions d'humidité.



**MISE EN GARDE** : Machine non adaptée au raccordement au réseau d'alimentation en eau potable.



**MISE EN GARDE** : Le jet ne doit pas être dirigé vers des personnes, des animaux, vers des équipements électriques sous tension ou vers la machine elle-même.



Niveau de puissance acoustique garanti en 96 dB.



La machine est conforme aux directives européennes en vigueur et une procédure d'évaluation de la conformité à ces directives a été effectuée.



Symbole DEEE. Les produits électriques usagés ne doivent pas être mis au rebut avec les déchets ménagers. Recycler le produit si des installations sont prévues à cet effet. Se renseigner auprès des autorités locales ou du magasin pour connaître les conseils de recyclage.





## Montage

### 01 Déballage

1. Déballez tous les éléments et les poser sur une surface plane et stable.
2. Retirez tous les matériaux d'emballage et dispositifs d'expédition, le cas échéant.
3. S'assurer que le contenu de livraison est complet et exempt de tout dommage. S'il s'avère que certaines pièces sont manquantes ou endommagées, ne pas utiliser la machine et contacter le revendeur. L'utilisation d'une machine endommagée ou incomplète représente un danger pour les personnes et le matériel.
4. S'assurer de disposer de tous les accessoires et outils nécessaires au montage et à l'utilisation de la machine. Cela inclut également un équipement de protection individuelle adapté.



**AVERTISSEMENT !** La machine et l'emballage ne sont pas des jouets ! Les enfants ne doivent pas jouer avec des sacs en plastique, feuilles et petites pièces ! Risque d'étouffement et de suffocation !

### 02 Montage



**AVERTISSEMENT !** Monter entièrement la machine avant toute utilisation ! Ne pas utiliser une machine qui n'est que partiellement montée ou montée avec des pièces endommagées !



Suivre les instructions de montage étape par étape et se servir des images fournies comme guide visuel pour assembler facilement la machine ! Débrancher la machine du secteur avant le montage.



**REMARQUE :** Prendre soin des petites pièces qui sont retirées lors de l'assemblage ou lors de réglages. Les conserver en lieu sûr pour éviter toute perte.

## Tuyau haute pression

1. Brancher le tuyau haute pression (13) sur le raccord de tuyau (17b) du pistolet à gâchette (17) (Fig. 1, étape 1).
2. Serrer le tuyau haute pression (13) en le tournant dans le sens des aiguilles d'une montre (Fig. 1, étape 2).



**REMARQUE :** Débrancher le tuyau haute pression (13) du pistolet à gâchette (17) en le tournant dans le sens inverse des aiguilles d'une montre.

## Lance télescopique

1. Brancher la lance télescopique (16) à l'extrémité du pistolet à gâchette (17) (Fig. 2, étape 1).
2. Serrer la lance télescopique (16) en la tournant dans le sens des aiguilles d'une montre (Fig. 2, étape 2).



**REMARQUE :** Débrancher la lance télescopique (16) du pistolet à gâchette (17) en la tournant dans le sens inverse des aiguilles d'une montre.

## Buse 5-en-1

1. Pousser la buse 5-en-1 (8) vers l'extrémité de la lance télescopique (16) (Fig. 3).
2. La buse 5-en-1 (8) s'enclenche fermement.



**REMARQUE :** Débrancher la buse 5-en-1 (8) en tirant le manchon à l'extrémité de la lance télescopique (16) vers l'arrière (Fig. 4).

## Buse rotative double

1. Pousser la buse rotative double (4) vers l'extrémité de la lance télescopique (16) (Fig. 5).
2. La buse rotative double (4) s'enclenche fermement.



**REMARQUE :** Débrancher la buse rotative double (4) en tirant le manchon à l'extrémité de la lance télescopique (16) vers l'arrière (Fig. 6).

## Buse rotative simple

1. Pousser la buse rotative simple (23) vers l'extrémité de la lance (16) (Fig. 7).
2. La buse rotative simple (23) s'enclenche fermement.



**REMARQUE** : Retirer la buse rotative (23) en tirant le manchon à l'extrémité de la lance (16) vers l'arrière (Fig. 6).

## Canon à mousse



**AVERTISSEMENT** ! Éviter tout contact de la peau, et en particulier des yeux, avec les détergents ! Si du détergent entre en contact avec les yeux, les rincer à l'eau claire et consulter immédiatement un médecin !



**REMARQUE** : Utiliser uniquement des détergents doux et respectueux de l'environnement. Ne jamais utiliser de produits chimiques agressifs, de détergents abrasifs ou similaires pour éviter d'endommager la machine ou de nuire à votre santé et à l'environnement.

1. Dévisser le bouchon du réservoir de détergent (9d) (Fig. 9, étape 1).
2. Remplir le réservoir de détergent (9d) avec le détergent approprié (Fig. 9, étape 2).
3. Bien serrer le bouchon (Fig. 9, étape 3).
4. Brancher le raccord (9b) du canon à mousse (9) à l'extrémité du pistolet à gâchette (17) (Fig. 10, étape 1).
5. Serrer le canon à mousse (9) en le tournant dans le sens des aiguilles d'une montre (Fig. 10, étape 2).



**REMARQUE** : Tourner le bouton de réglage du débit (9a) pour régler le débit de détergent. Pendant le fonctionnement, le détergent se mélange automatiquement à l'eau puis est pulvérisé via la buse (9c) (Fig. 11).

## Brosse pour terrasse



**AVERTISSEMENT** ! La brosse pour terrasse (18) est uniquement destinée à être utilisée sur des terrasses plates ! Ne pas essayer de l'utiliser sur des marches ou à la verticale sur des murs. Ne jamais tenter de toucher la buse rotative pendant le fonctionnement (Fig. 12).



**REMARQUE** : Utiliser la brosse pour terrasse (18) en effectuant un mouvement latéral. Ne pas la déplacer d'avant en arrière pour éviter qu'elle ne bascule.

1. Brancher la lance télescopique (16) à l'extrémité du pistolet à gâchette (17) (Fig. 12, étape 1).

2. Serrer la lance télescopique (16) en la tournant dans le sens des aiguilles d'une montre (Fig. 12, étape 2).
3. Pousser le connecteur de la lance télescopique (18a) de la brosse pour terrasse (18) vers l'extrémité de la lance télescopique (16) (Fig. 12, étape 3).
4. La brosse pour terrasse (18) s'enclenche fermement.



## Utilisation

# Utilisation prévue

Ce nettoyeur haute pression EBPW3000 est conçu avec une puissance nominale de 3000 watts.

1. La machine est conçue pour nettoyer les véhicules, les bâtiments, les terrasses, les façades et les équipements de jardin à l'aide d'eau claire et de détergents chimiques biodégradables. Elle permet également de retirer les saletés collantes, par exemple sur les dalles ou les gouttières. Ce produit ne doit pas être utilisé pour nettoyer les vêtements, les chaussures ou d'autres textiles. Le jet d'eau ne doit pas être dirigé vers des personnes, des animaux, des équipements électriques ou le produit lui-même. Ne pas l'utiliser pour rincer des objets contenant des matières dangereuses pour la santé (par ex. amiante). Ne pas utiliser le produit avec des liquides inflammables, explosifs et toxiques.
2. Pour des raisons de sécurité, il est impératif de lire l'intégralité du manuel d'instructions avant toute utilisation et de respecter toutes les consignes qu'il contient.
3. Cette machine est uniquement destinée à une utilisation domestique privée, et non à des fins commerciales. Elle ne doit pas être utilisée à des fins autres que celles prévues.

# Avant de commencer

## 01 Protection

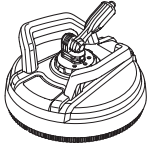



# Fonctions de la machine



**AVERTISSEMENT !** Ne pas régler les accessoires lorsque la machine est en marche. Relâcher le levier de la gâchette (17a) avant de régler les accessoires.

Pièces		Application
	Buse rotative double (4)	<ul style="list-style-type: none"> <li>• Pour le nettoyage haute pression avec la lance télescopique (16).</li> <li>• Maintenir en permanence la buse rotative double (4) à une distance de 15 à 20cm de la surface à nettoyer.</li> <li>• Tourner la buse rotative double (4) pour orienter le jet évasé selon les besoins (Fig. 13).</li> </ul>
	Buse 5-en-1 (8)	<ul style="list-style-type: none"> <li>• Pour un jet évasé ou concentré avec la lance télescopique (16).</li> <li>• Tourner l'extrémité de la buse 5-en-1 (8) pour obtenir le type de jet souhaité. Le réglage sélectionné <b>(0/15/40/40+/0+)</b> est indiqué par la flèche sur la buse (Fig. 14).</li> </ul> <p> <b>0</b> : jet concentré haute pression  <b>15 / 40</b> : jet évasé haute pression  <b>40+</b> : rideau d'eau basse pression  <b>0+</b> : colonne d'eau basse pression         </p>
	Canon à mousse (9)	<ul style="list-style-type: none"> <li>• Pour l'application de détergent à haute pression avec le pistolet à gâchette (17).</li> <li>• L'utilisation de détergent permet à l'eau sous haute pression de pénétrer et d'éliminer la saleté plus efficacement.</li> </ul>
	Lance télescopique (16)	Pour une utilisation avec le pistolet à gâchette (17), la buse rotative double (4), la buse 5-en-1 (8), la buse rotative simple (23) et la brosse pour terrasse (18).

	<p>Brosse pour terrasse (18)</p>	<ul style="list-style-type: none"> <li>• Pour le nettoyage de grandes surfaces planes, par ex. les sols, les allées de jardin ou les cours, avec la lance télescopique (16).</li> <li>• Tourner la molette de réglage de la pression (18b) pour régler la puissance de nettoyage.</li> </ul> <p>&gt; La tourner dans le sens des aiguilles d'une montre jusqu'au mode <b>SOFT</b> (doux) pour obtenir une puissance de nettoyage normale (Fig. 15).</p> <p>&gt; La tourner dans le sens inverse des aiguilles d'une montre jusqu'au mode <b>HARD</b> (fort) pour obtenir une puissance de nettoyage plus élevée (Fig. 16).</p>
	<p>Buse rotative simple (23)</p>	<ul style="list-style-type: none"> <li>• Pour le nettoyage haute pression avec la lance (16).</li> <li>• Maintenir en permanence la buse rotative simple (23) à une distance de 15 à 20cm de la surface à nettoyer.</li> </ul>

## Raccordement à une alimentation en eau



**AVERTISSEMENT !** Cette machine n'est pas conçue pour être raccordée au réseau d'eau potable.

Respecter les réglementations de votre fournisseur d'eau local lors du raccordement de la machine à une conduite d'alimentation en eau ! Il est interdit de raccorder cette machine au réseau d'eau potable sans clapet antiretour répondant à la norme EN 12729 Type BA ou EN 61770 ! Veiller à ce que le tuyau d'arrosage renforcé (non inclus) raccordé à l'alimentation en eau et à la machine présente un diamètre d'au moins 12,7mm (1/2").

1. Raccorder l'adaptateur du tuyau d'entrée d'eau (19) à l'entrée d'eau (11) (Fig. 17).
2. Brancher une extrémité d'un tuyau d'arrosage approprié (non inclus) à l'alimentation en eau.
3. Brancher l'autre extrémité du tuyau d'arrosage sur l'adaptateur du tuyau d'entrée d'eau (19).
4. Ouvrir l'arrivée d'eau.



**REMARQUE** : L'adaptateur du tuyau d'entrée d'eau (19) contient un filtre d'entrée (19b) pour protéger la machine contre les particules de grande taille. Ne pas utiliser l'adaptateur du tuyau d'entrée d'eau (19) sans le filtre d'entrée (19b).

## Branchement sur une prise secteur



**AVERTISSEMENT** ! Vérifier la tension ! La tension doit être conforme aux informations sur l'étiquette signalétique !

En cas d'utilisation d'une rallonge électrique, elle doit être adaptée à un usage en extérieur, avec des prises protégées contre les éclaboussures d'eau. Veiller à ce que la rallonge soit de type et de taille adaptés à la machine ( $\geq 1,5\text{mm}^2$ ) !

**AVERTISSEMENT** ! Le branchement de l'alimentation électrique doit être effectué par un électricien qualifié et conformément à la norme CEI 60364-1. est recommandé que l'alimentation électrique de cette machine soit équipée d'un dispositif à courant résiduel qui coupe l'alimentation si le courant de fuite à la terre dépasse 30mA pendant 30ms ou d'un dispositif protégeant le circuit de masse.

1. Placer l'interrupteur marche/arrêt (12) sur la position **O** (Fig. 18).
2. Dérouler complètement le cordon d'alimentation (6)
3. Brancher la fiche secteur (6) sur une prise de courant appropriée.

## Utilisation du dévidoir



**AVERTISSEMENT** ! Toujours libérer la pression résiduelle du tuyau haute pression (13) en appuyant plusieurs fois sur le levier de la gâchette (17a) du pistolet à gâchette (17) avant d'utiliser la machine.

### 01 Déroulement du tuyau haute pression



**AVERTISSEMENT** ! Toujours dérouler et sortir complètement le tuyau haute pression (13) du dévidoir (14) avant l'utilisation.

1. Tirer légèrement la manivelle (15) hors du dévidoir (14) (Fig. 19, étape 1).
2. Déplier la manivelle (15) pour permettre sa rotation (Fig. 19, étape 2).

3. Tourner la manivelle (15) dans le sens inverse des aiguilles d'une montre pour dérouler le tuyau haute pression (13) ou tirer le tuyau haute pression (13) hors du dévidoir (14) avant l'utilisation.

## 02 Enroulement du tuyau haute pression



**AVERTISSEMENT !** Libérer la pression dans le tuyau haute pression (13) avant de l'enrouler :

1. Placer l'interrupteur marche/arrêt (12) sur la position O (Fig. 18).
2. Appuyer plusieurs fois sur le levier de la gâchette (17a) du pistolet à gâchette (17) pour libérer la pression restante dans le tuyau haute pression (14).

1. Après utilisation, tourner la manivelle (15) dans le sens des aiguilles d'une montre pour enrouler le tuyau haute pression (13) (Fig. 20, étape 1).
2. Aligner les languettes de la manivelle (15) avec les rainures du boîtier. Pousser légèrement la manivelle (15) pour qu'elle reste en position (Fig. 20, étape 2).
3. Replier la manivelle (15).

## 03 Utilisation de la poignée de transport

1. Appuyer sur le bouton de déverrouillage (3) pour déverrouiller la poignée de transport (1) (Fig. 21, étape 1).
2. Lever la poignée de transport (1) à la hauteur souhaitée (haute/basse) (Fig. 21, étape 2).
3. La poignée de transport (1) s'enclenche et le bouton de déverrouillage (3) revient à sa position d'origine (Fig. 21, étape 3).

# Fonctionnement



**AVERTISSEMENT !** Ne pas faire fonctionner la machine avec un robinet d'eau fermé ! Ceci entraîne un fonctionnement à sec et endommage la machine !

Des forces de recul résultent de la pression sur le levier de la gâchette (17a) ! Par conséquent, toujours tenir le pistolet à gâchette (17) des deux mains !

Veiller à adopter une posture sûre ! Une manipulation incorrecte peut entraîner des blessures !





**AVERTISSEMENT !** Ne pas utiliser la machine lorsque la température ambiante est inférieure à 0°C. L'eau gèle à l'intérieur de la machine et l'endommage.



**REMARQUE :** La soupape de sécurité est une soupape de limitation de pression. Lorsque le levier de la gâchette (17a) est relâché, la soupape s'ouvre et libère la pression à l'intérieur de la pompe.

**REMARQUE :** Le dispositif de démarrage/arrêt automatique du moteur est actionné par le levier de la gâchette (17a) du pistolet à gâchette (17). Lorsque le levier de la gâchette (17a) est relâché, la pression dynamique coupe automatiquement le moteur. Lorsque le levier de la gâchette (17a) est enfoncé, la chute de pression automatique démarre le moteur et la pression est rétablie après un délai très court.

- Avant chaque utilisation, vérifier que la machine, le cordon d'alimentation et sa fiche (6) ainsi que les accessoires ne sont pas endommagés. Ne pas utiliser la machine si elle est endommagée ou présente des signes d'usure.
- Vérifier soigneusement que les accessoires et outils sont correctement fixés.
- Toujours tenir le pistolet à gâchette (17) à deux mains.
- S'assurer que les ouvertures d'aération ne sont pas obstruées. Le cas échéant, les nettoyer avec une brosse souple. Des aérations obstruées peuvent entraîner une surchauffe et endommager la machine.
- Éteindre immédiatement la machine si vous êtes dérangé pendant le travail par d'autres personnes entrant dans la zone de travail. Toujours attendre l'arrêt complet de la machine avant de la détourner.
- Éviter le surmenage. Prendre des pauses régulières afin de pouvoir se concentrer efficacement sur le travail et maîtriser la machine.

## 01 Démarrage



**AVERTISSEMENT !** Faire attention au recul lorsque la gâchette est actionnée !



**REMARQUE :** Le pistolet à gâchette (17) est équipé d'un levier de verrouillage de la gâchette (17d) (Fig. 23) pour éviter tout actionnement accidentel du levier de la gâchette (17a). Relever le levier de verrouillage de la gâchette (17d) avant d'appuyer sur le levier de la gâchette (17a).



**REMARQUE** : Toujours maintenir une distance raisonnable entre la buse et l'objet à nettoyer afin d'éviter tout dommage. Demander conseil à votre revendeur spécialisé si nécessaire.

1. Raccorder la machine à une alimentation en eau appropriée comme décrit.
  2. Brancher la machine sur une prise de courant appropriée comme décrit.
  3. Ouvrir complètement le robinet d'eau.
  4. En tenant le pistolet à gâchette (17) avec les deux mains, diriger la buse vers la surface à nettoyer en veillant à ne pas l'orienter vers soi (Fig. 22).
  5. Appuyer sur le levier de la gâchette (17a) (Fig. 23) jusqu'à ce que l'eau s'écoule de la sortie d'eau (21) sans bulles d'air.
  6. Placer l'interrupteur marche/arrêt (12) sur la position I (Fig. 18).
  7. Modifier le mode de fonctionnement en tournant le bouton de réglage de la pression (17c) sur le pistolet à gâchette (17) (Fig. 24).
- > Tourner le bouton de réglage de la pression (17c) dans le sens des aiguilles d'une montre pour le fonctionnement en mode **SOFT** (doux).
  - > Tourner le bouton de réglage de la pression (17c) dans le sens inverse des aiguilles d'une montre pour le fonctionnement en mode **HARD** (fort).

## 02 Après utilisation

1. Relâcher le levier de la gâchette (17a) (Fig. 25, étape 1).
2. Placer l'interrupteur marche/arrêt (12) sur la position O (Fig. 25, étape 2).
3. Couper l'alimentation en eau (Fig. 25, étape 3).
4. Appuyer sur le levier de la gâchette (17a) pour permettre à toute l'eau de s'évacuer de la machine et libérer la pression toujours présente dans le produit (Fig. 25, étape 4). Abaisser le levier de verrouillage de la gâchette (17d) sur le levier de la gâchette (17a).



**AVERTISSEMENT** ! Ne débrancher le tuyau haute pression (13) du pistolet à gâchette (17) et le tuyau d'arrosage de l'entrée d'eau (11) que lorsqu'il n'y a plus de pression dans le système ! S'assurer que la machine est éteinte et débranchée.



**REMARQUE** : Le pistolet à gâchette (17) est équipé d'un levier de verrouillage de la gâchette (17d) (Fig. 23) pour éviter tout actionnement accidentel du levier de la gâchette (17a). Après utilisation, abaisser le levier de verrouillage de la gâchette (17d) sur le levier de la gâchette (17a).

5. Débrancher la fiche secteur (6) de la prise de courant.

6. Débrancher le tuyau d'arrosage de l'alimentation en eau, puis de l'adaptateur du tuyau d'entrée d'eau (19).
7. Débrancher le tuyau haute pression (13) du pistolet à gâchette (17).
8. Enrouler le tuyau haute pression (13) sur le dévidoir (14). Ne pas plier ou tordre le tuyau haute pression (13).
9. Débrancher les accessoires dans l'ordre inverse des instructions de montage.

## Conseils de nettoyage

### 01 Généralités

- Éliminer la saleté en appliquant le détergent mélangé à de l'eau sur la surface lorsque celle-ci est encore sèche. Laisser le détergent reposer sur la surface pendant quelques minutes, mais ne pas le laisser sécher.
- Sur les surfaces verticales, travailler du bas vers le haut. Utiliser un jet haute pression à une distance minimale de 30cm à un angle de 45° du bas vers le haut, puis rincer du haut vers le bas.
- Pour les saletés tenaces, il est conseillé de les frotter avec une brosse avant de les nettoyer sous pression. Éviter de diriger un jet au réglage le plus élevé vers des pièces peintes ou délicates, ou sur des composants sous pression (pneus, valves de gonflage, etc.).
- L'efficacité du nettoyage dépend autant de la pression que du volume d'eau utilisé.

### 02 Terrasses en bois et en PVC (MODE SOFT [doux])



**ATTENTION !** Lors du nettoyage de surfaces en bois tendre, augmenter la distance par rapport à la zone à traiter.

- Réduire la surface de travail à des sections plus petites et nettoyer chaque section l'une après l'autre pour des résultats optimaux.
- Rincer à haute pression à l'aide d'un jet évasé, en maintenant la buse à au moins 15 à 25cm de la surface à nettoyer.
- Maintenir une distance plus importante par rapport à la zone à nettoyer lors de l'utilisation d'un jet concentré.

### 03 Terrasses cimentées, pierre et brique (MODE HARD [fort])

- Rincer à haute pression à l'aide d'un jet évasé en effectuant un mouvement de balayage, en maintenant la buse à au moins 7 à 15cm de la surface à nettoyer.

- Maintenir une distance plus importante par rapport à la zone à nettoyer lors de l'utilisation d'un jet concentré. **04 Voitures, bateaux et motos (MODE SOFT [doux])**



**AVERTISSEMENT !** Ne pas nettoyer les moteurs avec cette machine !

- Nettoyer un côté à la fois pour obtenir les meilleurs résultats.
- Rincer à haute pression à l'aide d'un jet évasé en effectuant un mouvement de balayage, en maintenant la buse à au moins 20cm de la surface à nettoyer. Ne pas utiliser le jet concentré fin sur la peinture de véhicules ou de bateaux.
- Essuyer la surface pour obtenir une finition brillante.



+



Entretien et maintenance

## **01** Les règles d'or de l'entretien



**AVERTISSEMENT !** Toujours appuyer sur le levier de la gâchette (17a) pour libérer la pression restante dans le tuyau haute pression (13) avant le nettoyage, le rangement ou l'entretien.



Toujours éteindre, débrancher et laisser refroidir la machine avant toute intervention d'inspection, d'entretien et de nettoyage !

1. Maintenir la machine propre. Retirer les débris après chaque utilisation et avant le rangement.
2. Un nettoyage régulier et approprié contribue à garantir une utilisation sûre et prolonge la durée de vie de la machine.
3. Inspecter la machine avant chaque utilisation pour repérer les pièces usées et endommagées. Ne pas utiliser le produit si certaines pièces sont cassées ou usées.



**AVERTISSEMENT !** Effectuer les réparations et l'entretien uniquement selon ces instructions ! Toutes les autres interventions doivent être effectuées par un spécialiste qualifié !

## 02 Nettoyage



**REMARQUE** : Ne pas utiliser de produits chimiques, alcalins, abrasifs ou autres détergents ou désinfectants agressifs pour nettoyer cette machine, car ils pourraient endommager ses surfaces.

### Machine

1. Nettoyer la machine avec un chiffon légèrement humide et du savon doux. Utiliser une brosse pour les endroits difficiles à atteindre.
2. Nettoyer notamment les orifices d'aération après chaque utilisation à l'aide d'un chiffon et d'une brosse.
3. Éliminer les saletés tenaces avec de l'air haute pression (max. 3 bar).

### Accessoires

1. Nettoyer les accessoires avec un chiffon légèrement humide et du savon doux. Utiliser une brosse pour les endroits difficiles à atteindre.
2. Déboucher la buse rotative double (4), buse rotative simple (23) ou la buse 5-en-1 (8) à l'aide de l'aiguille de nettoyage (20) (Fig. 26). Pour ce faire, insérer l'aiguille de nettoyage dans l'ouverture de la buse et la déplacer d'avant en arrière.
3. Démonter l'adaptateur du tuyau d'entrée d'eau (19) (Fig. 27). Rincer les pièces à l'eau claire (Fig. 28).
4. Vidanger et nettoyer le canon à mousse (9) à la fin de l'utilisation. Laver le réservoir de détergent (9d).

## 03 Détartrage

De temps à autre, selon la nature de votre eau du robinet, des dépôts de calcaire se forment dans la machine et les accessoires. La sévérité des dépôts (et donc la fréquence du détartrage) dépend de la dureté de l'eau et de la fréquence d'utilisation de la machine. Consulter le fournisseur d'eau pour connaître la dureté de l'eau dans votre région.



**REMARQUE** : Pour le détartrage, utiliser un mélange d'eau et d'acide citrique ou de vinaigre. Ces substances sont biodégradables et respectueuses de l'environnement !

1. Préparer une solution avec un volume de vinaigre approprié et deux volumes d'eau chaude ( $\leq 50^{\circ}\text{C}$ ) dans un récipient adapté, par ex. un bol.
2. Déposer les accessoires amovibles dans la solution.
3. Laisser tremper les accessoires dans la solution pendant environ 12 heures.
4. Rincer les accessoires à l'eau claire.

## 04 Maintenance

Avant et après chaque utilisation, vérifier la machine et les accessoires pour déceler la présence éventuelle d'usure et de dommages. Si nécessaire, les remplacer par des neufs comme décrit dans ce manuel d'instructions. Respecter les exigences techniques.

## 05 Pièces détachées/pièces de rechange

De nombreuses pièces détachées sont disponibles.

Ces pièces détachées sont commandables directement auprès de votre magasin, gratuitement dans le cadre de la garantie (hors consommables) ou à titre payant hors garantie.

Pistolet à gâchette	Lance télescopique
Buse rotative double	Buse 5-en-1
Canon à mousse	Brosse pour terrasse
Buse rotative simple	


## 06 Réparation

Pour toute demande de réparation sous garantie, merci de bien vouloir vous rendre en magasin muni de votre ticket de caisse.

Dans le cadre de réparation hors garantie, vous pouvez contacter votre magasin ou un centre de réparation agréé ou une personne dûment qualifiée pour faire vérifier votre produit ou le faire réparer.

Si vous désirez effectuer vous-même une réparation, vous pouvez contacter l'Assistance Technique de réparation dédiée :

Castorama : **0 800 00 65 20**  du lundi au vendredi de 9h00 à 18h00.

Brico Dépôt : **0 800 00 13 00**  du lundi au vendredi de 9h00 à 18h00.

## 07 Transport

1. Éteindre la machine et la débrancher de la prise de courant.
2. Débrancher la machine de l'arrivée d'eau.
3. Déplacer la machine à l'aide des roues (10) et de la poignée de transport (1).
4. Ranger la machine et ses accessoires dans un endroit sec et à l'abri du gel.
5. Protéger la machine de tout choc violent ou de toute vibration importante susceptible de se produire lors du transport dans un véhicule.
6. Fixer la machine pour l'empêcher de glisser ou de tomber.

## 08 Stockage



**REMARQUE :** De bonnes conditions de rangement sont importantes pour que votre machine continue de fonctionner sans problème.

1. Éteindre la machine et la débrancher de la prise de courant.
2. Débrancher la machine de l'arrivée d'eau.
3. Nettoyer la machine comme décrit ci-dessus.
4. Vidanger l'eau restante et laver le flacon de détergent (9d) à la fin de l'utilisation.
5. Ranger les pièces sur les supports (2, 5, 22) ou dans le compartiment des accessoires (7) (Fig 29, 30).
6. Ranger la machine et ses accessoires dans un endroit sec et à l'abri du gel.
7. Toujours ranger la machine dans un endroit inaccessible aux enfants. La température de stockage idéale est comprise entre 10 et 30°C.
8. Nous conseillons d'utiliser l'emballage d'origine pour ranger la machine ou de la couvrir avec une housse appropriée afin de la protéger contre la poussière.

## 09 Dépannage

Les dysfonctionnements soupçonnés sont souvent dus à des causes que les utilisateurs peuvent traiter eux-mêmes. Par conséquent, vérifier la machine à l'aide de cette section. Dans la plupart des cas, le problème peut être résolu rapidement.



**AVERTISSEMENT !** Réaliser uniquement les étapes décrites dans ces instructions ! Si vous ne parvenez pas à résoudre le problème vous-même, toute inspection, tout entretien et toute réparation plus poussés doivent être effectués par un centre d'entretien agréé ou un spécialiste également qualifié !

Problème	Cause possible	Solution
1. La machine ne démarre pas.	1.1 La machine n'est pas branchée sur l'alimentation électrique. 1.2 Le cordon d'alimentation ou la prise est défectueux(se). 1.3 Autre défaillance électrique de la machine.	1.1 Brancher la machine sur une prise de courant adaptée. 1.2 Contacter le centre d'entretien agréé le plus proche. 1.3 Contacter le centre d'entretien agréé le plus proche.

<b>Problème</b>	<b>Cause possible</b>	<b>Solution</b>
	<p>1.4 Le levier de verrouillage de la gâchette est relevé.</p> <p>1.5 La buse est obstruée.</p>	<p>1.4 Abaisser le levier de verrouillage de la gâchette.</p> <p>1.5 Déboucher la buse à l'aide de l'aiguille de nettoyage.</p>
	<p>1.6 Surchauffe du moteur.</p>	<p>1.6 Éteindre et débrancher la machine. La laisser refroidir pendant 10 minutes puis réessayer de l'utiliser.</p>
<p>2. La machine n'atteint pas sa pleine puissance.</p>	<p>2.1 La rallonge n'est pas adaptée pour une utilisation avec cette machine.</p> <p>2.2 La tension de la source d'alimentation (par ex. le générateur) est trop faible.</p> <p>2.3 Les orifices d'aération sont obstrués.</p> <p>2.4 Le volume d'entrée d'eau est trop faible.</p> <p>2.5 Le tuyau haute pression fuit.</p> <p>2.6 Le tuyau d'arrosage fuit.</p> <p>2.7 Filtre d'entrée très sale.</p> <p>2.8 De l'air est aspiré dans le système.</p> <p>2.9 Les joints sont usés.</p>	<p>2.1 Utiliser une rallonge adaptée.</p> <p>2.2 La tension de la source d'alimentation (par ex. le générateur) est trop faible.</p> <p>2.3 Nettoyer les orifices d'aération.</p> <p>2.4 Ouvrir complètement l'arrivée d'eau.</p> <p>2.5 Le remplacer par un tuyau haute pression neuf.</p> <p>2.6 Le remplacer par un tuyau d'arrosage neuf.</p> <p>2.7 Nettoyer le filtre d'entrée.</p> <p>2.8 Vérifier le serrage des raccords de tuyau.</p> <p>2.9 Contacter le centre d'entretien agréé le plus proche.</p>



<b>Problème</b>	<b>Cause possible</b>	<b>Solution</b>
3. De l'eau s'écoule du raccord/de la machine.	<p>3.1 Le tuyau haute pression fuit.</p> <p>3.2 Le tuyau d'arrosage fuit.</p> <p>3.3 Le joint torique de l'adaptateur du tuyau d'entrée d'eau est cassé.</p> <p>3.4 Les joints sont usés.</p>	<p>3.1 Le remplacer par un tuyau haute pression neuf.</p> <p>3.2 Le remplacer par un tuyau d'arrosage neuf.</p> <p>3.3 Remplacer l'adaptateur du tuyau d'entrée d'eau par un neuf.</p> <p>3.4 Contacter le centre d'entretien agréé le plus proche.</p>
4. Fortes fluctuations de pression.	<p>4.1 La buse est obstruée.</p> <p>4.2 Le volume d'entrée d'eau est trop faible.</p> <p>4.3 Le tuyau haute pression fuit.</p> <p>4.4 Le tuyau d'arrosage fuit.</p> <p>4.5 Le filtre d'entrée est très sale.</p> <p>4.6 De l'air est aspiré dans le système.</p> <p>4.7 Les joints sont usés.</p>	<p>4.1 Déboucher la buse à l'aide de l'aiguille de nettoyage.</p> <p>4.2 Ouvrir complètement l'arrivée d'eau.</p> <p>4.3 Le remplacer par un tuyau haute pression neuf.</p> <p>4.4 Le remplacer par un tuyau d'arrosage neuf.</p> <p>4.5 Nettoyer le filtre d'entrée.</p> <p>4.6 Vérifier le serrage des raccords de tuyau.</p> <p>4.7 Contacter le centre d'entretien agréé le plus proche.</p>
5. Vibrations ou bruits excessifs	<p>5.1 Les vis et écrous sont desserrés.</p> <p>5.2 Le moteur est endommagé.</p> <p>5.3 Le volume d'entrée d'eau est trop faible.</p>	<p>5.1 Vérifier le serrage des fixations. Resserrer si nécessaire.</p> <p>5.2 Contacter le centre d'entretien agréé le plus proche.</p> <p>5.3 Ouvrir complètement l'arrivée d'eau.</p>

Problème	Cause possible	Solution
6. Le détergent n'est pas prélevé.	6.1 Le détergent est trop épais.	6.1 Diluer le détergent avec de l'eau.
	6.2 Des dépôts ou une obstruction sont présents dans le circuit de détergent.	6.2 Rincer à l'eau claire et éliminer toute obstruction. Si le problème persiste, contacter un centre d'entretien agréé.
7. Pas de jet d'eau.	7.1 Aucune alimentation en eau.	7.1 Vérifier l'alimentation en eau.
	7.2 Le filtre d'entrée est très sale.	7.2 Nettoyer le filtre d'entrée.
	7.3 Les tuyaux sont obstrués.	7.3 Nettoyer les tuyaux.
	7.4 La buse est obstruée.	7.4 Déboucher la buse à l'aide de l'aiguille de nettoyage.

## Recyclage et mise au rebut



Les produits électriques usagés ne doivent pas être mis au rebut avec les déchets ménagers. Recycler le produit si des installations sont prévues à cet effet.

Se renseigner auprès des autorités locales ou du magasin pour connaître les conseils de recyclage.

La machine est livrée dans un emballage qui la protège contre les dommages pendant l'expédition. Conserver l'emballage jusqu'à ce que vous soyez sûr que toutes les pièces ont été livrées et que la machine fonctionne correctement. Recycler l'emballage par la suite.



## Garantie

Nous veillons tout particulièrement à sélectionner des matériaux de haute qualité et à utiliser des techniques de fabrication qui nous permettent de créer des produits à la fois design et durables. Ce produit s'accompagne d'une garantie fabricant de 3 ans contre tout défaut de fabrication, à compter de la date d'achat (en cas d'achat en magasin) ou de la date de livraison (en cas d'achat en ligne), sans coût supplémentaire dans le cadre d'un usage domestique normal (non professionnel et non commercial).

Pour déposer une réclamation au titre de cette garantie, vous devez présenter votre preuve d'achat (ticket de caisse, facture d'achat ou toute autre preuve recevable en vertu de la loi en vigueur). Conserver votre preuve d'achat dans un endroit sûr. Pour que cette garantie soit applicable, le produit acheté doit être neuf. La garantie ne s'applique pas aux produits d'occasion ou aux modèles d'exposition. Sauf indication contraire prévue par la loi en vigueur, tout produit de remplacement fourni au titre de la présente garantie ne sera garanti que jusqu'à expiration de la période de garantie initiale.

Cette garantie couvre les défaillances et dysfonctionnements matériels, sous réserve que le produit ait été utilisé conformément à l'usage pour lequel il a été conçu, qu'il ait été installé, nettoyé et entretenu conformément aux informations contenues dans les présentes conditions générales ainsi que dans le manuel d'utilisation, et conformément à la pratique, sous réserve que cette dernière n'aille pas à l'encontre du manuel d'utilisation.

Cette garantie ne couvre pas les défauts et dommages causés par l'usure normale, ni les dommages pouvant résulter d'une utilisation non conforme, d'une installation ou d'un montage défectueux, d'une négligence, d'un accident, d'une mauvaise utilisation ou d'une modification du produit. Sauf indication contraire prévue par la loi en vigueur, cette garantie ne couvre en aucun cas les coûts accessoires (expédition, transport, frais de désinstallation et réinstallation, main-d'œuvre, etc.), ni les dommages directs et indirects.

Cette garantie est valable dans le pays où vous avez acheté ce produit. Toute demande au titre de la garantie doit être adressée au magasin où vous avez acheté ce produit.

Cette garantie s'ajoute à vos droits statutaires, sans les affecter.

Cette garantie n'affecte pas vos droits statutaires.



## Déclaration de conformité



(EN) EU DECLARATION OF CONFORMITY  
(FR) DÉCLARATION UE DE CONFORMITÉ  
(PL) DEKLARACJA ZGODNOŚCI UE  
(RO) DECLARAȚIA DE CONFORMITATE UE  
(ES) DECLARACIÓN UE DE CONFORMIDAD  
(PT) DECLARAÇÃO DE CONFORMIDADE UE

Product/ Produit/ Produkt/Produsul/Producto/Producto		
<ul style="list-style-type: none"><li>&gt; Product name – High Pressure Washer/ Nettoyeur haute pression/ Myjka ciśnieniowa/ Aparat de spălat cu înaltă presiune/ Hochdruckreiniger/ Hidrolimpiadora de alta presión/ Lavadora a alta pressão</li><li>&gt; Product model – EBPW3000</li><li>&gt; Type / batch or serial number range 000001 to 999999</li></ul>		
Name and address of the manufacturer or his authorised representative: Nom et adresse du fabricant ou de son mandataire: Nazwa i adres producenta lub jego upoważnionego przedstawiciela: Denumirea și adresa producătorului sau a reprezentantului său autorizat: Nombre y dirección del fabricante o de su representante autorizado: Nome e endereço do fabricante ou do respetivo mandatário:		
Kingfisher International Products B.V., Rapenburgerstraat 175E, 1011 VM Amsterdam, The Netherlands		
This declaration of conformity is issued under the sole responsibility of the manufacturer. La présente déclaration de conformité est établie sous la seule responsabilité du fabricant. Niniejsza deklaracja zgodności wydana zostaje na wyłączną odpowiedzialność producenta. Prezenta declarație de conformitate este emisă pe răspunderea exclusivă a producătorului. La presente declaración de conformidad se expide bajo la exclusiva responsabilidad del fabricante. A presente declaração de conformidade é emitida sob a exclusiva responsabilidade do fabricante.		
Object of the declaration/Objet de la declaration/Przedmiot deklaracji/Obiectul declarației/Objeto de la declaración/Objeto da declaração		
<b>Product/Produit/Produkt/ Produsul/Producto/ Produto</b>	<b>Model/Modèle/Model/Modelul/ Modelo/ Modelo</b>	<b>EAN</b>
High Pressure Washer/ Nettoyeur haute pression/ Myjka ciśnieniowa/ Aparat de spălat cu înaltă presiune/ Hochdruckreiniger/ Hidrolimpiadora de alta presión/ Lavadora a alta pressão	EBPW3000	EU : 5063022018915 UK : 5063022018892

The object of the declaration described above is in conformity with the relevant Union harmonisation legislation:

L'objet de la déclaration décrit ci-dessus est conforme à la législation d'harmonisation de l'Union applicable:

Wymieniony powyżej przedmiot niniejszej deklaracji jest zgodny z odnośnymi wymaganiami unijnego prawodawstwa harmonizacyjnego:

Obiectul declarației descris mai sus este în conformitate cu legislația relevantă de armonizare a Uniunii:

El objeto de la declaración descrita anteriormente es conforme con la legislación de armonización pertinente de la Unión:

O objeto da declaração acima descrito está em conformidade com a legislação de harmonização da União aplicável:

2006/42/EC as amended	Machinery Directive
2014/30/EU as amended	Directive Electromagnetic compatibility
2000/14/EC as amended	Outdoor Noise Directive
2011/65/EU as amended	Directive Restriction of the use of certain hazardous substances in electrical and electronic equipment
Directive 2006/42/CE relative aux machines	
2014/30 / UE telle que modifiée Directive Compatibilité électromagnétique	
Directive 2000/14/CE relative aux émissions sonores extérieures	
Directive 2011/65/UE relative à la limitation de l'utilisation de certaines substances dangereuses dans les équipements électriques et électroniques	
2006/42/WE w zmienionej dyrektywie maszynowej	
2014/30 / UE ze zmianami Dyrektywa Kompatybilność elektromagnetyczna	
2000/14/WE w zmienionej dyrektywie w sprawie hałasu na zewnątrz	
2011/65 / UE ze zmianami Dyrektywa Ograniczenie stosowania niektórych niebezpiecznych substancji w sprzęcie elektrycznym i elektronicznym	
2006/42/CE, astfel a fost modificată Directiva privind echipamentele	
2014/30/UE, astfel a fost modificată Directiva privind compatibilitatea electromagnetică	
2000/14/CE, astfel a fost modificată Directiva privind zgomotul în aer liber	
2011/65/UE, astfel a fost modificată Directiva privind limitarea utilizării anumitor substanțe periculoase în echipamentele electrice și electronice	
Directiva sobre maquinaria modificada 2006/42/CE	
2014/30/UE modificada Directiva Compatibilidad electromagnética	
2000/14/CE modificada Directiva sobre ruido al aire libre	
2011/65/UE modificada Directiva Restricción del uso de determinadas sustancias peligrosas en equipos eléctricos y electrónicos	
2006/42/CE como diretiva de máquinas alteradas	
2014/30/UE como alteração da compatibilidade eletromagnética	
2000/14/CE como diretiva de ruído exterior alterada	
2011/65/UE como restrição diretiva alterada da utilização de certas substâncias perigosas em equipamentos elétricos e eletrônicos	

**Measured Sound Power Level**  
**Le niveau de puissance acoustique mesuré**  
**Zmierzony poziom mocy akustycznej**  
**Nivel de putere acustică măsurat**  
**Nível de potencia sonora medido**  
**Nível de potência sonora medido**  
**: 93 dB(A)**

**Guaranteed Sound Power Level**  
**Le niveau de puissance acoustique garant**  
**Gwarantowany poziom mocy akustycznej**  
**Nivel de putere acustică garantat**  
**Nível de potencia sonora garantizado**  
**Nível de potência sonora garantido**  
**: 96 dB(A)**

References to the relevant harmonised standards used or references to the other technical specifications in relation to which conformity is declared:

Références des normes harmonisées pertinentes appliquées, y compris la date de celles-ci, ou des autres spécifications techniques, y compris la date de celles-ci, par rapport auxquelles la conformité est déclarée:

Odwolania do odnośnych norm zharmonizowanych, które zastosowano, wraz z datą normy, lub do innych specyfikacji technicznych, wraz z datą specyfikacji, w odniesieniu do których deklarowana jest zgodność:

Trimiteri la standardele armonizate relevante folosite, inclusiv data standardului, sau trimeri la celelalte specificații tehnice, inclusiv data specificațiilor, în legătură cu care se declară conformitatea:

Referencias a las normas armonizadas pertinentes utilizadas, incluidas las fechas de las normas, o referencias a las otras especificaciones técnicas, incluidas las fechas de las especificaciones, respecto a las cuales se declara la conformidad:

Referências às normas harmonizadas aplicáveis utilizadas, incluindo a data da norma, ou às outras especificações técnicas, incluindo a data da especificação, em relação às quais é declarada a conformidade:

EN 60335-1:2012/A15:2021

EN 60335-2-79: 2012

EN 62233:2008

EN 55014-1:2017/A11:2020

EN 55014-2:1997/A2:2008

EN 61000-3-2:2014

EN 61000-3-3:2013

EN IEC 55014-1:2021

EN IEC 55014-2:2021

EN IEC 61000-3-2:2019/A1:2021

EN IEC 61000-3-11:2019

EN ISO 3744:1995

Authorised signatory and technical file holder/signataire et responsable de la documentation technique  
autorisé/ podmiot uprawniony do wystawienia i adres prezechowywania dokumentacji technicznej/  
semnatar autorizat și deținător al dosarului tehnic/firmante autorizado y titular del expediente tecnico/  
signatário autorizado e detentor da ficha técnica

Kingfisher International Products B.V.,  
Rapenburgerstraat 175E,  
1011 VM Amsterdam,  
The Netherlands



David Awe  
Group Quality Director

[30/10/2022]

# Erbauer®

**Manufacturer, Fabricant, Prodecent,  
Producător, Fabricante:**

**UK Manufacturer:**

Kingfisher International Products Limited  
1 Paddington Square, London, W2 1GG,  
United Kingdom

**EU Manufacturer:**

Kingfisher International Products B.V.  
Rapenburgerstraat 175E 1011 VM Amsterdam  
The Netherlands

**FR** [www.castorama.fr](http://www.castorama.fr)  
[www.bricodepot.fr](http://www.bricodepot.fr)  
[www.screwfix.fr](http://www.screwfix.fr)

Pour consulter les manuels d'instructions  
en ligne, rendez-vous sur le site  
[www.kingfisher.com/products](http://www.kingfisher.com/products)

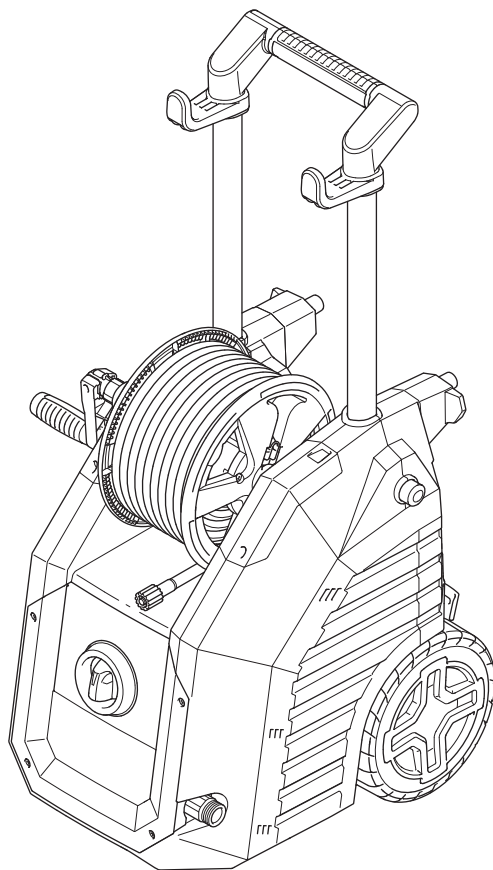


ÉLÉMENTS D'EMBALLAGE  
À SÉPARER + NOTICE À  
DÉPOSER DANS LE BAC  
DE TRI





**Erbauer®**



# EBPW3000









EAN: 5063022018915, 5063022018892

INSTRUKCJA OBSŁUGI



V20424\_5063022018915\_MAND2\_2324



	Opis urządzenia	4
	Wskazówki dotyczące bezpieczeństwa	10
	Montaż	20
	Użytkowanie	23
 + 	Czyszczenie i konserwacja	31
	Gwarancja	38
	Deklaracja zgodności	39



=



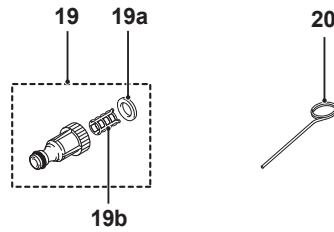
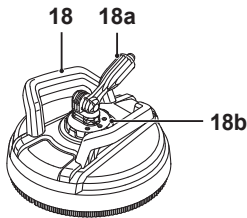
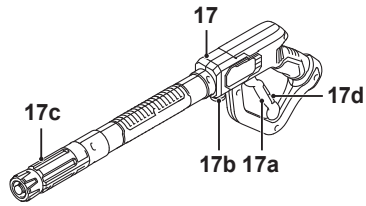
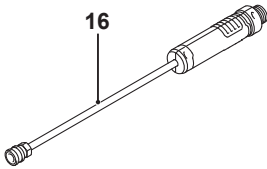
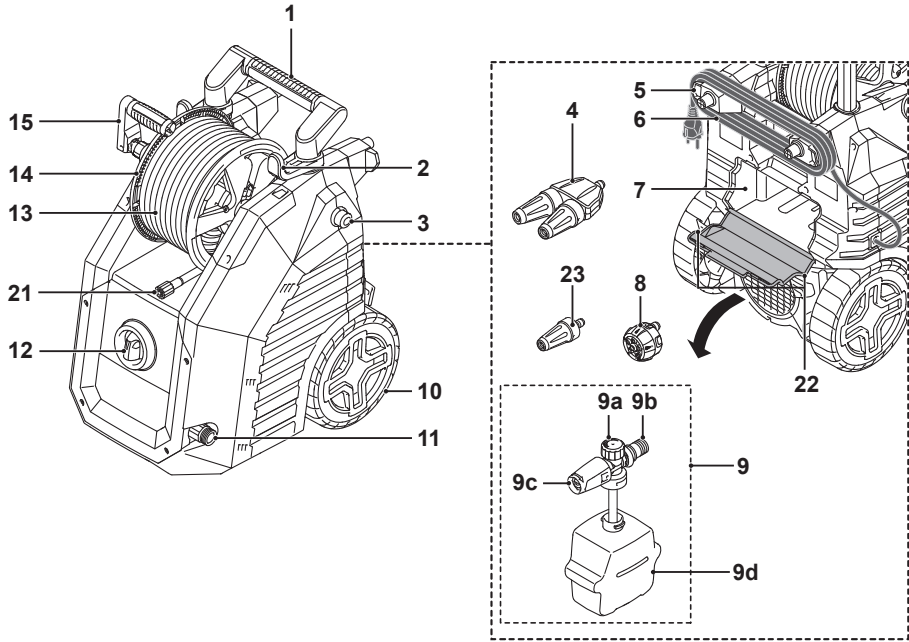
**OSTRZEŻENIE!** Przed przystąpieniem do użytkowania urządzenia należy dokładnie przeczytać wszystkie ostrzeżenia dotyczące bezpieczeństwa oraz upewnić się, że są one w pełni zrozumiałe.

## OPIS URZĄDZENIA

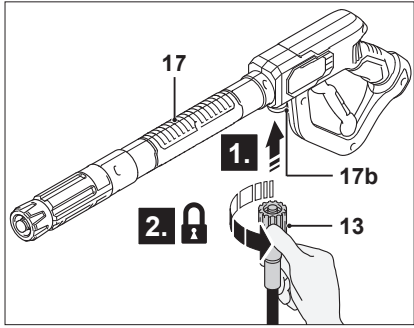
1. Uchwyt transportowy
2. Uchwyt pistoletu
3. Przycisk zwalniania blokady
4. Podwójna dysza obrotowa
5. Uchwyt na przewód zasilający (x2)
6. Przewód zasilający z wtyczką
7. Schowek na akcesoria
8. Dysza 5 w 1
9. Wytwornica piany
  - a. Pokrętko regulacji przepływu
  - b. Króciec przyłączeniowy
  - c. Dysza
  - d. Butelka na detergent
10. Kółko (x2)
11. Wlot wody
12. Przełącznik wł./wyl. (O/I)
13. Wąż ciśnieniowy
14. Bęben z węzłem
15. Korba
16. Lanca przedłużająca
17. Pistolet
  - a. Dźwignia spustu
  - b. Przyłącze węża
  - c. Pokrętko regulacji ciśnienia
  - d. Dźwignia blokady spustu
18. Szczotka do czyszczenia tarasów
  - a. Złącze lancy przedłużającej
  - b. Pokrętko regulacji ciśnienia
19. Przyłącze węża doprowadzającego wodę
  - a. Uszczelka
  - b. Filtr wlotowy
20. Igła do czyszczenia
21. Wylot wody
22. Uchwyt na akcesoria (x2)
23. Dysza obrotowa pojedyncza



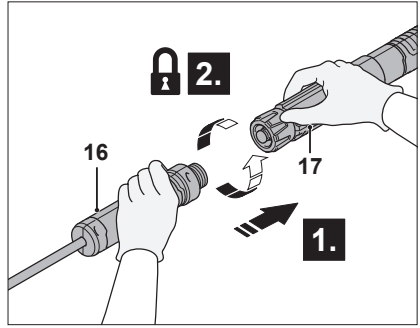
# Opis urządzenia



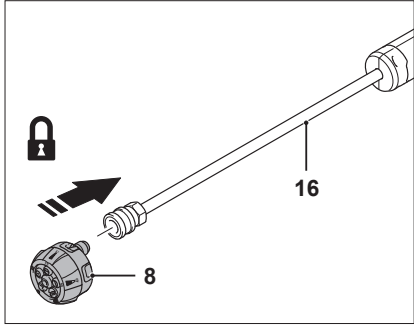
1



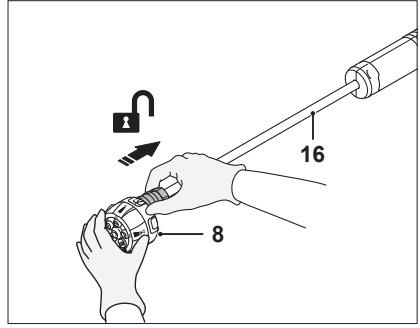
2



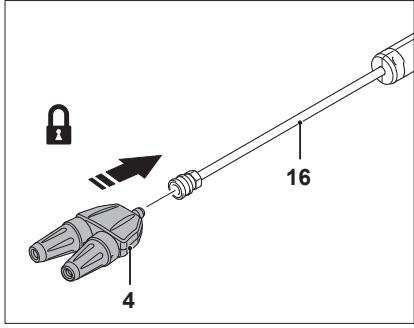
3



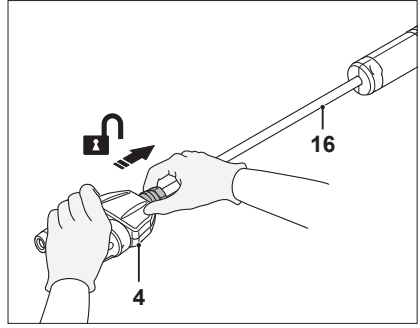
4



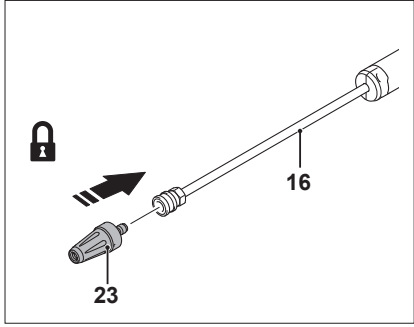
5



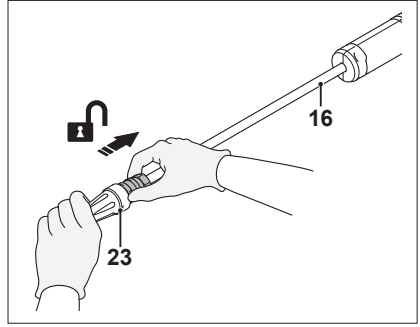
6



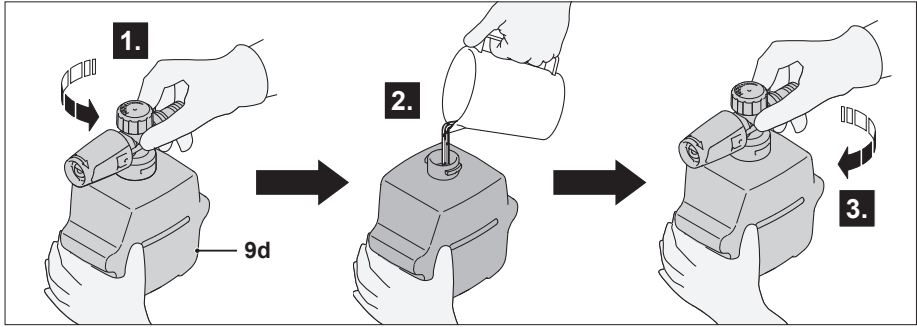
7



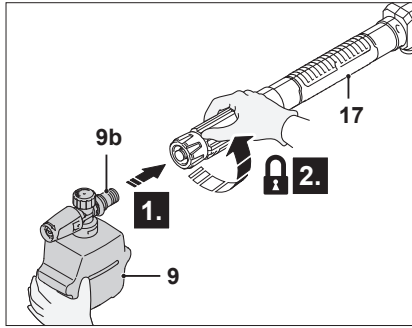
8



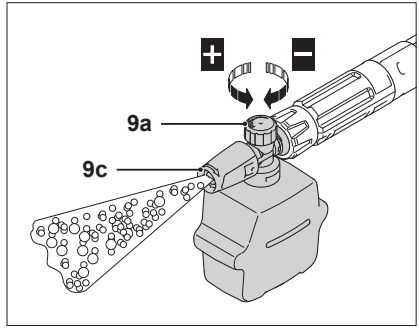
9



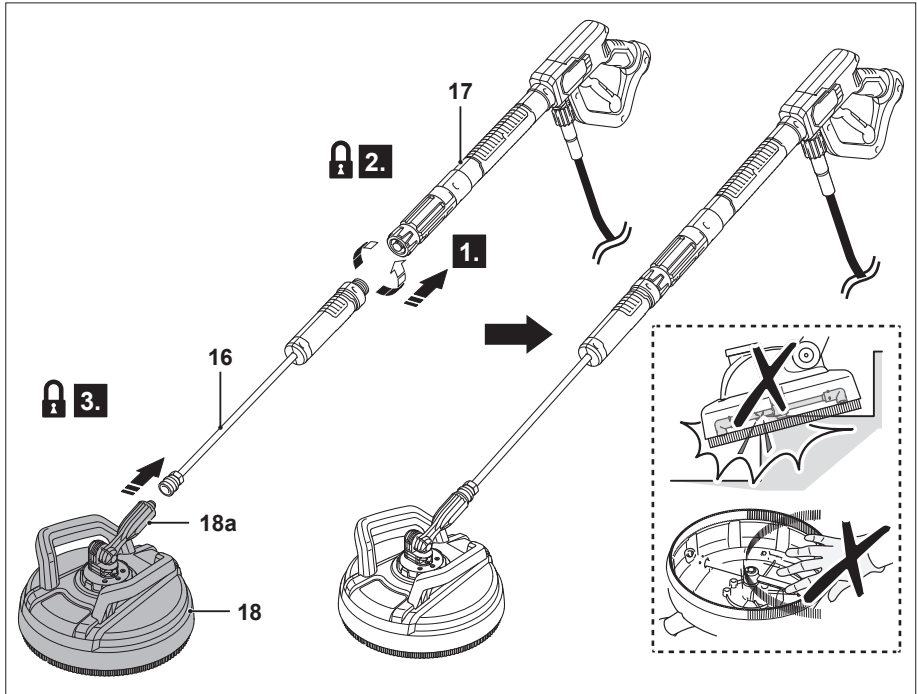
10



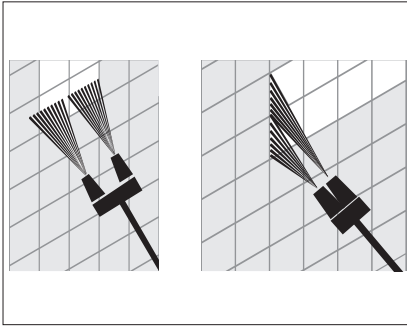
11



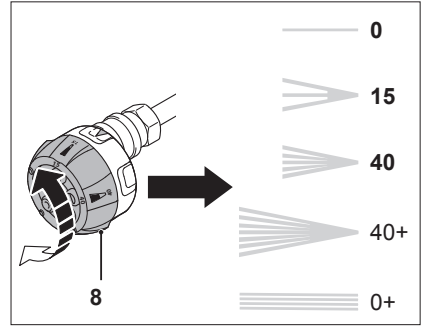
12



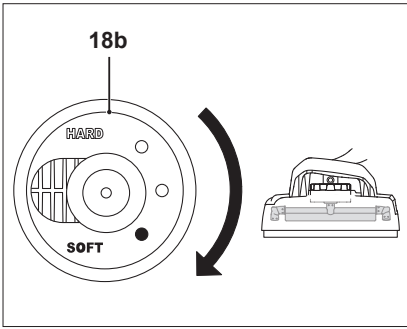
13



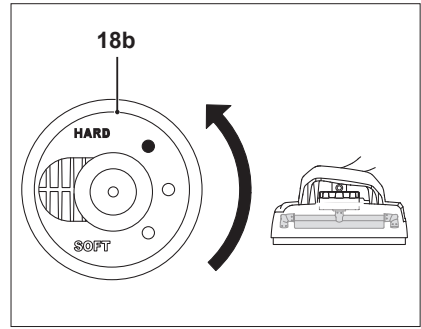
14



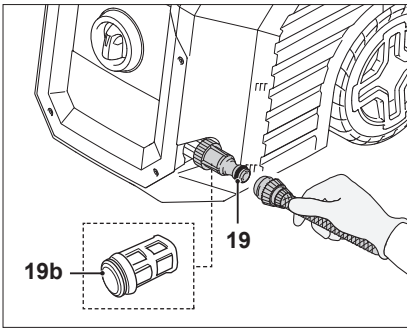
15



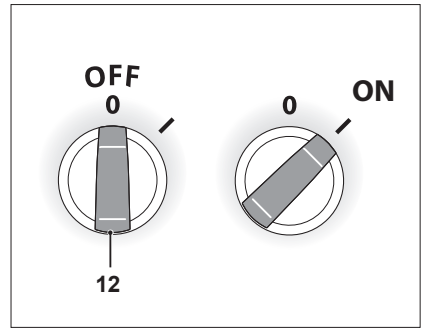
16



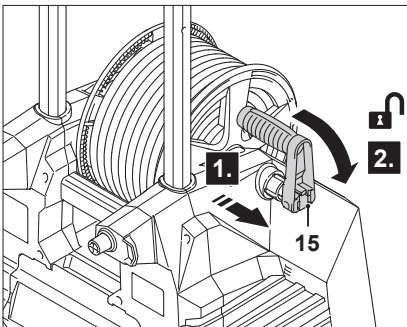
17



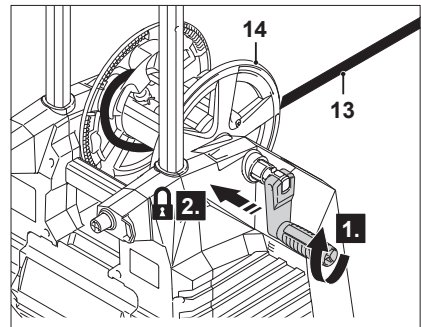
18



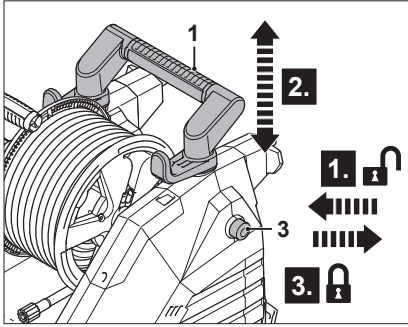
19



20



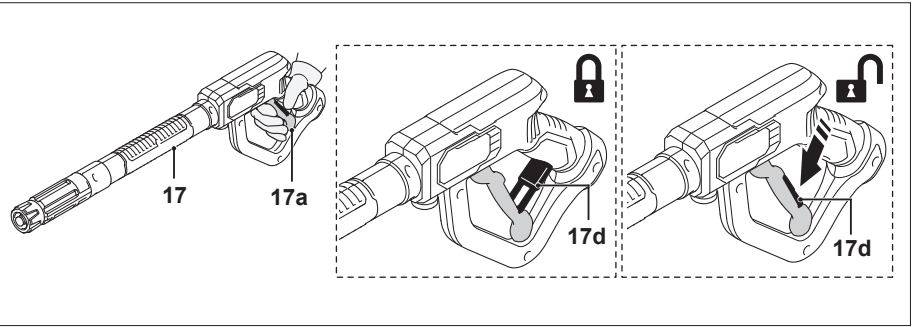
21



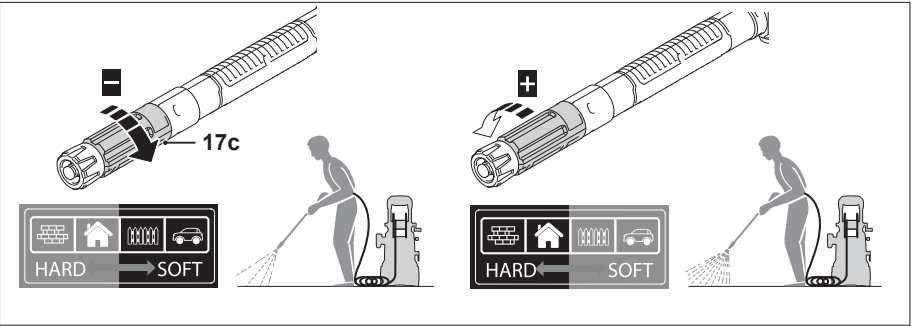
22



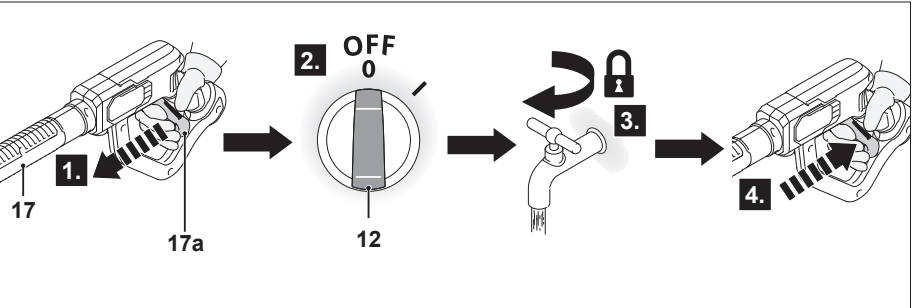
23



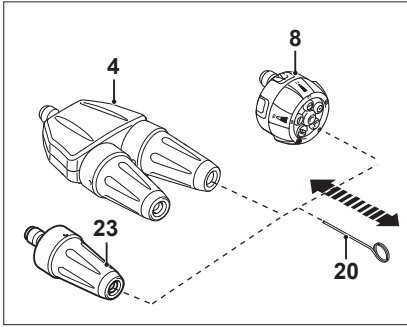
24



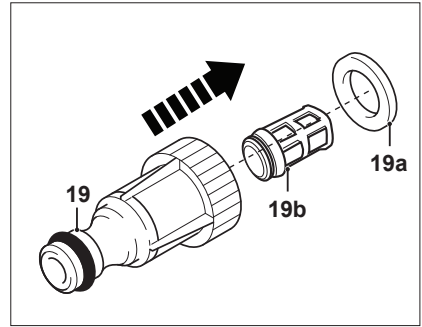
25



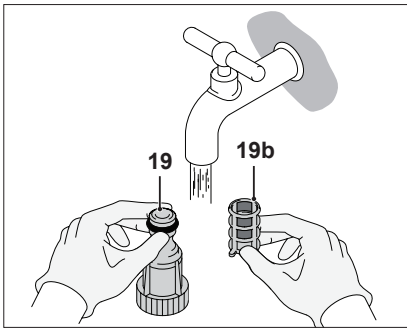
26



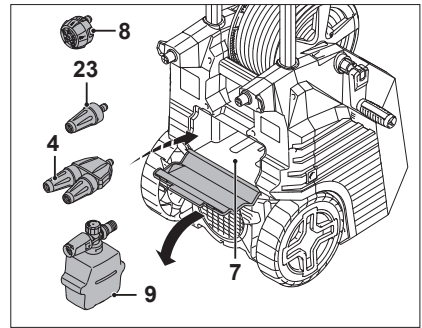
27



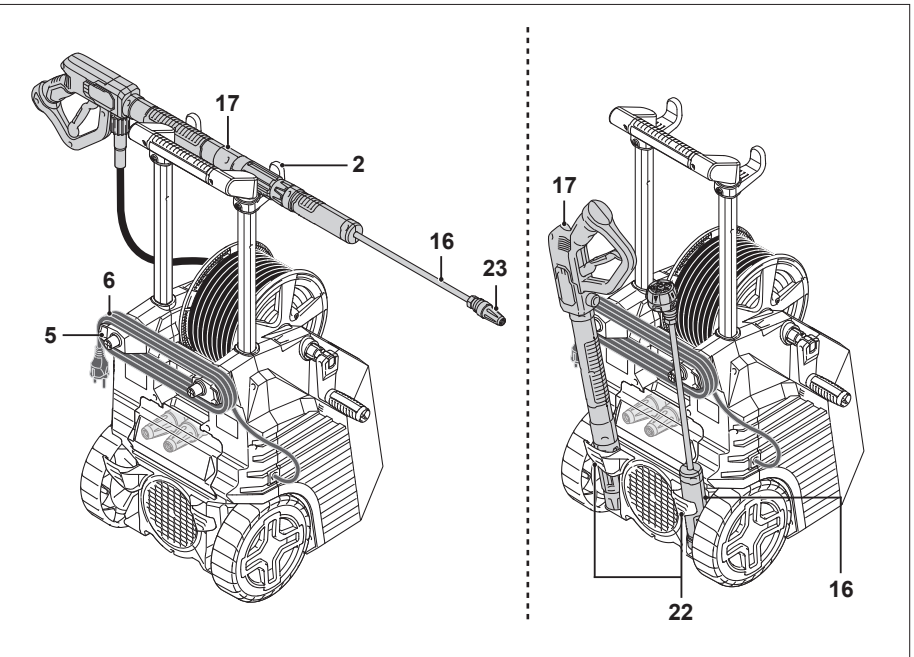
28



29



30







## Wskazówki dotyczące bezpieczeństwa



**OSTRZEŻENIE:** Należy zapoznać się ze wszystkimi ostrzeżeniami dotyczącymi bezpieczeństwa, instrukcjami, ilustracjami i danymi technicznymi dołączonymi do urządzenia. Niezastosowanie się do wszystkich poniższych instrukcji może skutkować porażeniem prądem, pożarem i/lub poważnymi obrażeniami.

**Należy zachować wszystkie ostrzeżenia i instrukcje do wglądu w przyszłości.**

- Urządzenia nie mogą być obsługiwane przez dzieci. Nie wolno pozostawiać dzieci bez nadzoru w pobliżu urządzenia.
- Urządzenie może być obsługiwane przez osoby o ograniczonej sprawności fizycznej, sensorycznej lub umysłowej oraz osoby nieposiadające wystarczającego doświadczenia bądź wiedzy, o ile są one świadome związanych z tym zagrożeń. Osoby te muszą być nadzorowane lub zostać poinstruowane o zasadach użytkowania urządzenia w sposób bezpieczny.

### **BEZPIECZEŃSTWO KORZYSTANIA Z MYJKI CIŚNIENIOWEJ**

- **OSTRZEŻENIE:** Urządzenie jest przeznaczone do użytku ze środkiem czyszczącym dostarczonym lub zalecanym przez producenta. Stosowanie innych środków czyszczących lub substancji chemicznych może mieć niekorzystny wpływ na bezpieczeństwo użytkowania urządzenia.
- **OSTRZEŻENIE:** Podczas używania myjki ciśnieniowej mogą powstawać aerozole. Wdychanie aerozoli może być niebezpieczne dla zdrowia.

- **OSTRZEŻENIE:** Nieprawidłowo użyte strumienie pod wysokim ciśnieniem mogą być niebezpieczne. Nie należy nigdy kierować strumienia na ludzi, urządzenia elektryczne podłączone do prądu ani na samo urządzenie.
- **OSTRZEŻENIE:** Nie należy używać urządzenia, gdy w pobliżu znajdują się inne osoby, o ile nie są one ubrane w odzież ochronną.
- **OSTRZEŻENIE:** Nie należy kierować strumienia na siebie ani inne osoby w celu wyczyszczenia odzieży lub obuwia.
- **OSTRZEŻENIE:** Zagrożenie wybuchem – nie rozpylać łatwopalnych cieczy.
- **OSTRZEŻENIE:** Myjek ciśnieniowych nie mogą obsługiwać dzieci ani osoby bez odpowiedniego przeszkolenia.
- **OSTRZEŻENIE:** Węże ciśnieniowe, mocowania i złączki są ważne dla bezpieczeństwa urządzenia. Należy używać wyłącznie węży, mocowań i złączek zalecanych przez producenta.
- **OSTRZEŻENIE:** Aby zapewnić bezpieczeństwo działania urządzenia, należy używać wyłącznie oryginalnych części zamiennych producenta lub zatwierdzonych przez producenta.
- **OSTRZEŻENIE:** Woda, która przepłynęła przez izolatory przepływów zwrotnych, jest niezdatna do picia.
- **OSTRZEŻENIE:** Przed przystąpieniem do czyszczenia, konserwacji, wymiany części lub przełączenia funkcji urządzenia należy wyjąć wtyczkę przewodu zasilającego z gniazda.
- **OSTRZEŻENIE:** Nie używać urządzenia, jeśli przewód zasilający lub inne ważne części urządzenia (np. urządzenia zabezpieczające, węże ciśnieniowe, pistolet) są uszkodzone.

- **OSTRZEŻENIE:** Korzystanie z nieodpowiedniego przedłużacza może być niebezpieczne. Jeśli używany jest przedłużacz, powinien być on przeznaczony do użytku na zewnątrz, a miejsce połączenia musi być suche i nie może znajdować się na ziemi. Zaleca się wykorzystanie w tym celu przedłużacza bębnowego, w którym gniazdo znajduje się co najmniej 60 mm nad ziemią.
- **OSTRZEŻENIE:** Przed pozostawieniem urządzenia bez nadzoru należy odłączyć je od zasilania za pomocą wyłącznika sieciowego.
- Nigdy nie używać urządzenia z cieczami łatwopalnymi, toksycznymi ani z cieczami, które uniemożliwią jego prawidłowe działanie.
- Nigdy nie używać urządzenia na zewnątrz podczas deszczu.
- Nigdy nie blokować spustu pistoletu w położeniu roboczym.
- Sprawdzić, czy urządzenie jest wyposażone w tabliczkę znamionową. W przeciwnym razie należy skontaktować się ze sprzedawcą. Nie należy używać urządzeń bez tabliczki znamionowej, ponieważ uniemożliwia to ich identyfikację i może stwarzać zagrożenie.
- Nigdy nie manipulować przy zaworze bezpieczeństwa ani nie zmieniać ustawień zaworu i innych urządzeń zabezpieczających.
- Nigdy nie zmieniać oryginalnej średnicy dyszy regulowanej.
- Nigdy nie pozostawiać pracującego urządzenia bez nadzoru.
- Nie dopuszczać do przejeżdżania pojazdów przez wąż ciśnieniowy.

- Nie ciągnąć za wąż ciśnieniowy w celu przemieszczenia urządzenia.
- Kierowanie strumienia pod wysokim ciśnieniem na opony, zawory opon lub inne elementy znajdujące się pod ciśnieniem jest potencjalnie niebezpieczne. Nie kierować strumienia bezpośrednio i zawsze trzymać dyszę w odległości co najmniej 30 cm od czyszczonej powierzchni.
- Chronić przed strumieniem wody wszystkie przewody elektryczne.
- Woda pod wysokim ciśnieniem może spowodować odbicie się części. Należy nosić pełną odzież ochronną niezbędną do zapewnienia bezpieczeństwa operatora.
- Podczas pracy należy stosować odpowiednie środki ochrony indywidualnej (ŚOI), np. buty robocze bezpieczne, rękawice ochronne, kaski ochronne z osłoną twarzy, ochronniki słuchu itp.
- Uważać na odrzut: naciskając spust, mocno trzymać pistolet.
- Przestrzegać przepisów lokalnych zakładów wodociągowych. Zgodnie z normą EN 12729 (BA) urządzenie można podłączyć bezpośrednio do sieci wodociągowej tylko wtedy, gdy wąż dopływowy jest wyposażony w izolator przepływu zwrotnego z odpływem.
- Przed odłączeniem węża od urządzenia należy uwolnić ciśnienie resztkowe.
- Sprawdzać regularnie oraz przed każdym użyciem, czy wszystkie metalowe elementy połączeniowe są dokręcone, a urządzenie jest w dobrym stanie. Sprawdzić, czy części nie są uszkodzone ani zużyte.

- **OSTRZEŻENIE:** Używać wyłącznie detergentów bezpiecznych dla materiałów okładzinowych węża ciśnieniowego oraz innych materiałów okładzinowych.
- Podłączenie zasilania elektrycznego powinno zostać wykonane przez wykwalifikowanego elektryka i być zgodne z normą IEC 60364-1. Zaleca się, aby obwód elektryczny wykorzystywany do zasilania tego urządzenia był wyposażony w wyłącznik różnicowoprądowy, który odłączy zasilanie, jeśli wartość natężenia prądu upływowego przekroczy 30 mA przez 30 ms, lub w urządzenie uziemiające.
- Jeśli dojdzie do uszkodzenia przewodu zasilającego, z powodów bezpieczeństwa powinien on zostać wymieniony przez producenta, przedstawiciela serwisowego lub inną osobę o odpowiednich kwalifikacjach.
- **OSTRZEŻENIE:** Czyszczenie oraz konserwacja produktu nie powinna być wykonywana przez dzieci.

### **ZMNIEJSZENIE DRGAŃ I HAŁASU**

W celu zmniejszenia wpływu wytwarzanego hałasu i drgań należy ograniczyć czas używania urządzenia, używać trybów obniżających poziom hałasu i drgań oraz używać środków ochrony indywidualnej.

W celu zminimalizowania narażenia na działanie hałasu i drgań należy:

- a) Używać urządzenia wyłącznie w sposób zgodny z przeznaczeniem oraz niniejszą instrukcją.
- b) Upewnić się, że urządzenie jest w dobrym stanie oraz należycie utrzymane.
- c) Używać odpowiednich akcesoriów do urządzenia i upewnić się, że są one w dobrym stanie.
- d) Trzymać mocno uchwyt pistoletu obiema rękami.
- e) Obsługiwać urządzenie zgodnie z niniejszą instrukcją.

- f) Zaplanować pracę w taki sposób, aby rozłożyć używanie narzędzia wytwarzającego duże drgania na dłuższy czas.
- g) Długotrwałe użytkowanie urządzenia naraża użytkownika na drgania, które mogą powodować szereg objawów zbiorczo nazywanych zespołem wibracyjnym (chorobą wibracyjną), np. zaburzenia ukrwienia palców, a także inne schorzenia, takie jak zespół cieśni nadgarstka. Aby zmniejszyć to zagrożenie, należy zawsze podczas obsługi urządzenia używać rękawic ochronnych i utrzymywać dłonie w cieple.

## **SYTUACJE AWARYJNE**

Zapoznać się ze sposobem użytkowania tego urządzenia opisanym w instrukcji obsługi. Zapamiętać wskazówki dotyczące bezpieczeństwa i przestrzegać ich podczas pracy. Pozwoli to ograniczyć ryzyko i zagrożenia.

- a) **Zachować koncentrację podczas obsługi urządzenia, aby szybko rozpoznawać i eliminować zagrożenia.** Szybka reakcja umożliwi zapobieganie poważnym obrażeniom lub uszkodzeniu mienia.
- b) **W przypadku awarii wyłączyć urządzenie i wyjąć wtyczkę przewodu zasilającego z gniazda.** Przed ponownym przystąpieniem do użytkowania urządzenie powinno zostać sprawdzone i naprawione przez wykwalifikowaną osobę.

## **INNE ZAGROŻENIA**

**Nawet podczas używania urządzenia zgodnie ze wszystkimi wymogami bezpieczeństwa istnieje ryzyko odniesienia obrażeń i uszkodzenia mienia. Konstrukcja oraz sposób działania urządzenia mogą stwarzać następujące zagrożenia:**

- a) Problemy zdrowotne spowodowane przenoszeniem drgań, jeśli urządzenie jest używane przez długi czas lub nieprawidłowo obsługiwane.

- b) obrażenia lub uszkodzenia mienia spowodowane przez uszkodzenie osprzętu lub nagłe uderzenie w niewidoczne obiekty podczas użytkowania urządzenia.
- c) obrażenia i uszkodzenia mienia spowodowane przez wyrzucone w powietrze przedmioty.



**OSTRZEŻENIE:** Podczas pracy urządzenie wytwarza pole elektromagnetyczne! W niektórych warunkach pole to może powodować zakłócenia działania aktywnych lub pasywnych implantów medycznych! Aby zmniejszyć ryzyko poważnego lub śmiertelnego wypadku zaleca się, aby przed przystąpieniem do używania maszyny osoby korzystające z implantów medycznych skonsultowały się ze swoim lekarzem oraz producentem implantu!

## 01 Dane techniczne

	<b>5063022018892</b>	<b>5063022018915</b>
<b>Informacje ogólne</b>		
<b>Napięcie znamionowe/częstotliwość:</b>	220 – 240 V ~ / 50 Hz	230 V ~ / 50 Hz
<b>Moc znamionowa:</b>	3000 W	3000 W
<b>Ciśnienie znamionowe:</b>	12 MPa	12,5 MPa
<b>Maks. dopuszczalne ciśnienie:</b>	18 MPa	18 MPa
<b>Maks. ciśnienie doprowadzanej wody:</b>	1 MPa	1 MPa
<b>Przepływ znamionowy:</b>	8,33 l/min	8,83 l/min
<b>Maks. przepływ znamionowy:</b>	9,5 l/min	10 l/min
<b>Temperatura znamionowa:</b>	50°C	50°C
<b>Siła odrzutu pistoletu przy ciśnieniu maks.:</b>	< 21,5 Nm	< 23,3 Nm
<b>Klasa ochrony:</b>	I / ⊕	I / ⊕
<b>Stopień ochrony:</b>	IPX5	IPX5
<b>Waga:</b>	25,5 kg	25,5 kg
<b>Wymiary:</b>	441 x 479 x 864 mm	441 x 479 x 864 mm
<b>Waż ciśnieniowy</b>		
<b>Dopuszczalne ciśnienie:</b>	20 MPa	20 MPa

<b>Maksymalna temperatura:</b>	60 °C	60 °C
<b>Długość:</b>	10 m	10 m
<b>Wąż doprowadzający wodę (brak w zestawie)</b>		
<b>Typ:</b>	Wąż wzmocniony	Wąż wzmocniony
<b>Średnica:</b>	min. Ø 12,7 mm (½ cala)	min. Ø 12,7 mm (½ cala)
<b>Długość:</b>	max. 10 m	max. 10 m
<b>Poziom głośności</b>		
<b>Poziom ciśnienia akustycznego <math>L_{pA}</math></b>	80,7 dB(A)	80,7 dB(A)
<b>Niepewność <math>K_{pA}</math></b>	2,50 dB(A)	2,50 dB(A)
<b>Zmierzony poziom mocy akustycznej <math>L_{WA}</math></b>	92,2 dB(A)	92,2 dB(A)
<b>Niepewność <math>K_{WA}</math></b>	2,50 dB(A)	2,50 dB(A)
<b>Gwarantowany poziom mocy akustycznej <math>L_{WA}</math> (zgodnie z dyrektywą 2000/14/WE zmienioną dyrektywą 2005/88/WE)</b>	96 dB(A)	96 dB(A)
<b>Poziom drgań</b>		
<b>Deklarowana wartość emisji drgań <math>a_{hd}</math>:</b>	<2,5 m/s <sup>2</sup>	<2,5 m/s <sup>2</sup>
<b>Niepewność K:</b>	1,0 m/s <sup>2</sup>	1,0 m/s <sup>2</sup>

Wartości akustyczne zostały określone zgodnie z kodem badania hałasu określonym w normie EN 60335-2-79, w oparciu o podstawowe normy ISO 3744 oraz ISO 11203.

Poziom natężenia dźwięku dla operatora może przekraczać wartość 80 dB(A), dlatego konieczne jest stosowanie środków ochrony słuchu.

Deklarowana wartość drgań została zmierzona zgodnie ze standardową metodologią (wg normy EN 60335-2-79) i może być używana do porównywania urządzeń. Deklarowana wartość drgań może być również wykorzystana do wstępnej oceny stopnia narażenia.



**OSTRZEŻENIE!** W zależności od rzeczywistego użytkowania urządzenia wartość drgań może się różnić od zadeklarowanej! Zastosować odpowiednie środki chroniące operatora przed narażeniem na drgania. Uwzględnić cały proces roboczy łącznie z czasem działania urządzenia bez obciążenia oraz czasem, gdy urządzenie jest wyłączone. Odpowiednie środki obejmują między innymi regularną konserwację urządzenia i osprzętu tnącego, utrzymanie odpowiedniej temperatury dłoni, regularne przerwy i prawidłowe planowanie procesu.






## 02 Symbole

Na urządzeniu, tabliczce znamionowej oraz w niniejszej instrukcji występują między innymi następujące symbole i skróty. Należy się z nimi zapoznać, aby ograniczyć ryzyko odniesienia obrażeń i uszkodzenia mienia.

V~	Volt (napięcie prądu przemiennego)	kg	Kilogram
Hz	Herc	dB(A)	Decybel (częstotliwościowa charakterystyka korekcyjna A)
W	Wat	m/s <sup>2</sup>	Metr na sekundę do kwadratu
/min lub min <sup>-1</sup>	Na minutę	MPa	Megapaskal, jednostka ciśnienia
mm	Milimetr	bar	Jednostka ciśnienia
P <sub>znamionowe</sub>	Ciśnienie znamionowe	Q <sub>znamionowe</sub>	Przepływ znamionowy
P <sub>maks.</sub>	Dopuszczalne ciśnienie	Q <sub>maks.</sub>	Maksymalny przepływ
p <sub>IN MAKS.</sub>	Maks. ciśnienie doprowadzanej wody		
IPX5	Urządzenie jest zabezpieczone przed wnikaniem wody (z dyszy) padającej z dowolnego kierunku.		
yyWxx	Kod daty produkcji: rok (20yy) oraz tydzień (Wxx) produkcji.		
EBPW3000	EB_Nazwa marki; PW_Myjka ciśnieniowa; 3000_Moc		

### Opis słów ostrzegawczych:

-  **NIEBEZPIECZEŃSTWO!** To słowo ostrzegawcze sygnalizuje zagrożenie wysokiego poziomu, które, jeśli nie zostanie uniknięte, spowoduje śmierć lub poważne obrażenia.
-  **OSTRZEŻENIE!** To słowo ostrzegawcze sygnalizuje zagrożenie średniego poziomu, które, jeśli nie zostanie uniknięte, może spowodować śmierć lub poważne obrażenia.
-  **PRZESTROGA!** To słowo ostrzegawcze sygnalizuje zagrożenie niskiego poziomu, które, jeśli nie zostanie uniknięte, może spowodować drobne lub umiarkowane obrażenia.
- UWAGA!** Oznacza praktyczną wskazówkę, poradę lub procedurę niepowiązaną z obrażeniami.



Zablokować/dokręcić lub przymocować.



Odblokować/poluzować.



Uwaga.



Przeostroga/ostrzeżenie.



Zapoznać się z instrukcją obsługi.



Stosować środki ochrony słuchu.



Stosować środki ochrony wzroku.



Stosować środki ochrony dróg oddechowych.



Nosić rękawice ochronne.



Nosić antypoślizgowe obuwie ochronne.



Wyłączyć urządzenie i odłączyć je od źródła zasilania przed rozpoczęciem montażu, czyszczenia, regulacji, konserwacji, przechowywania i transportu.



Podczas pracy należy zawsze upewnić się, że inne osoby oraz zwierzęta znajdują się w bezpiecznej odległości od urządzenia. Dzieci zasadniczo nie powinny zbliżać się do obszaru, w którym znajduje się urządzenie.



Nie narażać urządzenia na działanie deszczu ani wilgoci.



Urządzenie nie jest przeznaczone do podłączania do sieci wodociągowej z wodą pitną.



Nie kierować strumienia wody na ludzi, zwierzęta, urządzenia elektryczne ani na samo urządzenie.



Gwarantowana wartość ciśnienia akustycznego w 96 dB.



Urządzenie jest zgodne z obowiązującymi dyrektywami europejskimi, przeprowadzono ocenę zgodności w tym kierunku.



Symbol ZSEE. Zużytych urządzeń elektrycznych nie należy wyrzucać razem z odpadami komunalnymi. Należy je przekazać do utylizacji w przeznaczonych do tego miejscach. Informacje dotyczące recyklingu można uzyskać u władz lokalnych lub w punkcie sprzedaży.



## Montaż

### 01 Rozpakowanie

1. Odpakować wszystkie części i ułożyć je na płaskiej, stabilnej powierzchni.
2. Usunąć wszystkie materiały opakowaniowe i zabezpieczenia transportowe (jeśli dotyczy).
3. Upewnić się, że zostały dostarczone wszystkie elementy oraz że nie są one uszkodzone. W przypadku stwierdzenia braku lub uszkodzenia części nie używać urządzenia i skontaktować się ze sprzedawcą. Używanie niekompletnego lub uszkodzonego urządzenia stwarza zagrożenie dla osób i mienia.
4. Upewnić się, że dostępne są wszystkie akcesoria i narzędzia wymagane do montażu i obsługi. Dotyczy to również środków ochrony indywidualnej.



**OSTRZEŻENIE!** Urządzenie ani jego opakowanie nie są przeznaczone do zabawy! Dzieciom nie wolno bawić się plastikowymi torbami, folią ani małymi częściami! Istnieje ryzyko zadławienia oraz uduszenia!

### 02 Montaż



**OSTRZEŻENIE!** Urządzenie należy całkowicie zmontować przed użyciem!



Nie należy używać urządzenia, która nie jest całkowicie zmontowane lub zostało zmontowane z wykorzystaniem uszkodzonych elementów!

Postępować zgodnie z poszczególnymi krokami instrukcji montażu i korzystać z dołączonych rysunków stanowiących graficzne wskazówki ułatwiające montaż urządzenia!

Przed przystąpieniem do montażu urządzenia należy wyjąć wtyczkę przewodu zasilającego z gniazda.



**UWAGA:** Postępować ostrożnie z małymi częściami wymontowywanymi podczas montażu lub regulacji. Należy uważać, aby ich nie zgubić.

## Wąż ciśnieniowy

1. Podłącz wąż ciśnieniowy (13) do przyłącza węża (17b) przy pistolecie (17) (rys. 1, krok 1).
2. Dokręć wąż ciśnieniowy (13), obracając go zgodnie z ruchem wskazówek zegara w celu zamocowania (rys. 1, krok 2).



**UWAGA:** Aby odłączyć wąż ciśnieniowy (13) od pistoletu (17), należy obrócić go przeciwnie do ruchu wskazówek zegara.

## Lanca przedłużająca

1. Podłącz lancę przedłużającą (16) do końcówki pistoletu (17) (rys. 2, krok 1).
2. Dokręć lancę przedłużającą (16), obracając ją zgodnie z ruchem wskazówek zegara w celu zamocowania (rys. 2, krok 2).



**UWAGA:** Aby odłączyć lancę przedłużającą (16) od pistoletu (17), należy obrócić ją przeciwnie do ruchu wskazówek zegara.

## Dysza 5 w 1

1. Wciśnij dyszę 5 w 1 (8) na końcówkę lancy przedłużającej (16) (rys. 3).
2. Dysza 5 w 1 (8) zablokuje się we właściwym położeniu.



**UWAGA:** Aby odłączyć dyszę 5 w 1 (8), należy pociągnąć do tyłu tuleję na końcówce lancy przedłużającej (16) (rys. 4).

## Podwójna dysza obrotowa

1. Wciśnij podwójną dyszę obrotową (4) na końcówkę lancy przedłużającej (16) (rys. 5).
2. Podwójna dysza obrotowa (4) zablokuje się we właściwym położeniu.



**UWAGA:** Aby odłączyć podwójną dyszę obrotową (4), należy pociągnąć do tyłu tuleję na końcówce lancy przedłużającej (16) (rys. 6).

## Dysza obrotowa pojedyncza

1. Wciśnij pojedynczą dyszę obrotową (23) na końcówkę lancy przedłużającej (16) (rys. 7).
2. Pojedyncza dysza obrotowa (23) zablokuje się we właściwym położeniu.



**UWAGA:** Aby odłączyć pojedynczą dyszę obrotową (23), należy pociągnąć do tyłu tuleję na końcówce lancy przedłużającej (16) (rys. 8).

## Wytwornica piany



**OSTRZEŻENIE!** Unikać kontaktu detergentów ze skórą oraz, w szczególności, z oczami. Jeśli detergent dostanie się do oczu, należy przemyć je czystą wodą i niezwłocznie zgłosić się do lekarza!



**UWAGA:** Używać wyłącznie łagodnych, przyjaznych dla środowiska detergentów. Nigdy nie używać agresywnych chemikaliów, detergentów o właściwościach ściernych itp., ponieważ może to być szkodliwe dla zdrowia, urządzenia i środowiska.

1. Odkręć nakrętkę butelki na detergent (9d) (rys. 9, krok 1).
2. Napełnij butelkę na detergent (9d) odpowiednim detergentem (rys. 9, krok 2).
3. Mocno dokręć nakrętkę (rys. 9, krok 3).
4. Podłącz króciec przyłączeniowy (9b) wytwornicy piany (9) do końcówki pistoletu (17) (rys. 10, krok 1).
5. Dokręć wytwornicę piany (9), obracając ją zgodnie z ruchem wskazówek zegara w celu zamocowania (rys. 10, krok 2).



**UWAGA:** Obróć pokrętko regulacji przepływu (9a), aby wyregulować natężenie przepływu detergentu. Podczas pracy urządzenia detergent jest automatycznie mieszany z wodą i uwalniany przez dyszę (9c) (rys. 11).

## Szczotka do czyszczenia tarasów



**OSTRZEŻENIE!** Szczotka do czyszczenia tarasów (18) jest przeznaczona wyłącznie do płaskich powierzchni tarasowych! Nie należy używać jej do czyszczenia schodów ani ścian. Nigdy nie dotykać dyszy obrotowej podczas pracy (rys. 12).



**UWAGA:** Podczas czyszczenia przesuwaj szczotkę do czyszczenia tarasów (18) na boki. Nie przesuwaj szczotki w przód i w tył, ponieważ może to doprowadzić do przewrócenia urządzenia.

1. Podłącz lancę przedłużającą (16) do końcówki pistoletu (17) (rys. 12, krok 1).
2. Dokręć lancę przedłużającą (16), obracając ją zgodnie z ruchem wskazówek zegara w celu zamocowania (rys. 12, krok 2).

3. Wciśnij złącze lancy przedłużającej (18a) szczotki do czyszczenia tarasów (18) na końcówkę lancy przedłużającej (16) (rys. 12, krok 3).
4. Szczotka do czyszczenia tarasów (18) zablokuje się we właściwym położeniu.



Użytkowanie

## Przeznaczenie produktu

Myjka ciśnieniowa EBPW3000 to urządzenie o znamionowej mocy wejściowej 3000W.

1. Urządzenie jest przeznaczone do mycia pojazdów, budynków, tarasów, elewacji i sprzętu ogrodowego z wykorzystaniem czystej wody i biodegradowalnych detergentów chemicznych. Umożliwia także usuwanie lepkich zabrudzeń np. z płyt chodnikowych lub rynien deszczowych. Urządzenia nie należy używać do czyszczenia odzieży, obuwia ani innych produktów tekstylnych. Nie należy kierować strumienia wody na osoby, zwierzęta, urządzenia elektryczne ani na samo urządzenie. Nie należy myć przedmiotów, które zawierają substancje niebezpieczne dla zdrowia (np. azbest). Nie używać urządzenia z cieczami łatwopalnymi, wybuchowymi ani toksycznymi.
2. Ze względów bezpieczeństwa bardzo ważne jest zapoznanie się z całą instrukcją obsługi przed rozpoczęciem użytkowania urządzenia oraz przestrzeganie wszystkich zawartych w niej wskazówek.
3. Urządzenie jest przeznaczone tylko do zastosowań domowych, nie do zastosowań komercyjnych. Nie należy go używać do celów innych niż wskazane.

## Przed rozpoczęciem użytkowania

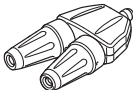

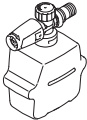
### 01 Środki ochronne

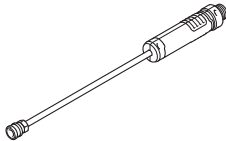
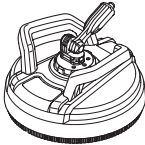



# Funkcje urządzenia



**OSTRZEŻENIE!** Nie zmieniać ustawień akcesoriów podczas pracy urządzenia. Przed zmianą ustawień akcesoriów należy zwolnić dźwignię spustu (17a).

Części		Zastosowanie
	<p>Podwójna dysza obrotowa (4)</p>	<ul style="list-style-type: none"> <li>Do czyszczenia ciśnieniowego w połączeniu z lancą przedłużającą (16).</li> <li>Podwójną dyszę obrotową (4) należy zawsze trzymać w odległości 15 - 20 cm od czyszczonej powierzchni.</li> <li>Przekręcić podwójną dyszę obrotową (4), aby dostosować ustawienie strumienia wachlarzowego (rys. 13).</li> </ul>
	<p>Dysza 5 w 1 (8)</p>	<ul style="list-style-type: none"> <li>Do natrysku strumieniem wachlarzowym lub punktowym w połączeniu z lancą przedłużającą (16).</li> <li>Przekręcić końcówkę dyszy 5 w 1 (8), aby wybrać żądany tryb natrysku. Wybrane ustawienie (<b>0/ 15/ 40/ 40+/ 0+</b>) jest wskazywane przez oznaczenie w postaci strzałki na dyszy (rys. 14). <ul style="list-style-type: none"> <li><b>0:</b> strumień punktowy pod wysokim ciśnieniem</li> <li><b>15/ 40:</b> strumień wachlarzowy pod wysokim ciśnieniem</li> <li><b>40+:</b> kurtyna wodna pod niskim ciśnieniem</li> <li><b>0+:</b> słup wody pod niskim ciśnieniem</li> </ul> </li> </ul>
	<p>Wytwornica piany (9)</p>	<ul style="list-style-type: none"> <li>Do podawania detergentu w trybie wysokiego ciśnienia, w połączeniu z pistoletem (17).</li> <li>Dzięki zastosowaniu detergentu woda pod wysokim ciśnieniem skuteczniej wnika i usuwa brud.</li> </ul>

	<p>Lanca przedłużająca (16)</p>	<p>Do użytku w połączeniu z pistoletem (17), podwójną dyszą obrotową (4), dyszą 5 w 1 (8), pojedynczą dyszą obrotową (23) i szczotką do czyszczenia tarasów (18).</p>
	<p>Szczotka do czyszczenia tarasów (18)</p>	<ul style="list-style-type: none"> <li>• Do czyszczenia dużych płaskich powierzchni, np. podłóg, ścieżek ogrodowych lub dziedzińców, w połączeniu z lanca przedłużającą (16).</li> <li>• Obróć pokrętko regulacji ciśnienia (18b), aby wyregulować siłę czyszczenia.</li> <li>&gt; Obróć je zgodnie z ruchem wskazówek zegara w tryb <b>SOFT</b> w celu czyszczenia z normalną siłą (rys. 15).</li> <li>&gt; Obróć je przeciwnie do ruchu wskazówek zegara w tryb <b>HARD</b> w celu czyszczenia z większą siłą (rys. 16).</li> </ul>
	<p>Dysza obrotowa pojedyncza (23)</p>	<ul style="list-style-type: none"> <li>• Do czyszczenia ciśnieniowego w połączeniu z lanca przedłużającą (16).</li> <li>• Pojedynczą dyszę obrotową (23) należy zawsze trzymać w odległości 15–20 cm od czyszczonej powierzchni.</li> </ul>

## Podłączanie do źródła wody



**OSTRZEŻENIE!** Urządzenie nie jest przeznaczone do podłączania do sieci wodociągowej z wodą pitną!

Podłączając urządzenie do instalacji wodociągowej, należy przestrzegać wymagań lokalnego zakładu wodociągowego! Zabrania się podłączania urządzenia do instalacji wody pitnej bez izolatora przepływu zwrotnego zgodnego z normą EN 12729 (typ BA) lub EN 61770! Wzmocniony wąż ogrodowy (brak w zestawie) służący do podłączenia urządzenia do źródła wody powinien mieć średnicę co najmniej 12,7 mm (1/2 cala).

1. Podłączyć przyłącze węża doprowadzającego wodę (19) do wlotu wody (11) (rys. 17).
2. Podłączyć jeden koniec odpowiedniego węża ogrodowego (brak w zestawie) do źródła wody.
3. Podłączyć drugi koniec węża ogrodowego do przyłącza węża doprowadzającego wodę (19).
4. Otworzyć dopływ wody.





**UWAGA:** W celu ochrony urządzenia przed większymi zanieczyszczeniami przyłączy węża doprowadzającego wodę (19) jest wyposażone w filtr wlotowy (19b). Nie należy używać przyłącza węża doprowadzającego wodę (19) bez filtra wlotowego (19b).

## Podłączanie do gniazda



**OSTRZEŻENIE!** Sprawdzić napięcie! Napięcie musi być zgodne z danymi na tabliczce znamionowej!

Jeśli używany jest przedłużacz, musi być on przeznaczony do użytku na zewnątrz i wyposażony w gniazda zabezpieczone przed zachlapaniem wodą. Należy upewnić się, że przewód przedłużacza jest odpowiedniego typu i ma odpowiedni rozmiar do zasilania urządzenia ( $\geq 1,5 \text{ mm}^2$ )!

**OSTRZEŻENIE!** Podłączenie zasilania elektrycznego powinno zostać wykonane przez wykwalifikowanego elektryka i być zgodne z normą IEC 60364-1. Zaleca się, aby obwód elektryczny wykorzystywany do zasilania tego urządzenia był wyposażony w wyłącznik różnicowoprądowy, który odłączy zasilanie, jeśli wartość natężenia prądu upływowego przekroczy 30 mA przez 30 ms, lub w urządzenie uziemiające.

1. Ustaw przełącznik wł./wył. (12) w położeniu O (rys. 18).
2. Całkowicie rozwinąć przewód zasilający (6)
3. Podłączyć wtyczkę przewodu zasilającego (6) do odpowiedniego gniazda.

## Obsługa bębna z węzłem



**OSTRZEŻENIE!** Przed użyciem urządzenia należy każdorazowo uwolnić ciśnienie resztkowe z węża ciśnieniowego (13) poprzez kilkakrotne naciśnięcie dźwigni spustu (17a) pistoletu (17).

### 01 Odwijanie węża ciśnieniowego



**OSTRZEŻENIE!** Przed rozpoczęciem pracy należy każdorazowo całkowicie odwinąć wąż ciśnieniowy (13) z bębna (14).

1. Delikatnie wyciągnij korbę (15) z bębna z węzłem (14) (rys. 19, krok 1).
2. Rozłóż korbę (15), aby mogła się obracać (rys. 19, krok 2).

3. Obracaj korbą (15) przeciwnie do ruchu wskazówek zegara lub pociągaj za wąż ciśnieniowy (13), aby odwinąć go z bębna (14) i przystąpić do pracy.

## 02 Zwijanie węża ciśnieniowego



**OSTRZEŻENIE!** Uwolnij ciśnienie z węża ciśnieniowego (13) przed jego zwinięciem:

1. Ustaw przełącznik wł./wył. (12) w położeniu O (rys. 18).
2. Kilkakrotnie naciśnij dźwignię spustu (17a) pistoletu (17), aby uwolnić ciśnienie z węża ciśnieniowego (14).

1. Aby zwinąć wąż ciśnieniowy (13) po zakończeniu korzystania z urządzenia, obracaj korbą (15) zgodnie z ruchem wskazówek zegara (rys. 20, krok 1).
2. Dopasuj występy na korbie (15) do rowków w obudowie. Delikatnie naciśnij korbę (15), aby zablokowała się na swoim miejscu (rys. 20, krok 2).
3. Złóż korbę (15).

## 03 Korzystanie z uchwytu transportowego

1. Naciśnij przycisk zwalniania blokady (3), aby odblokować uchwyt transportowy (1) (rys. 21, krok 1).
2. Ustaw uchwyt transportowy (1) w żądanym położeniu (wysokie/niskie) (rys. 21, krok 2).
3. Uchwyt transportowy (1) zablokuje się we właściwym położeniu, a przycisk zwalniania blokady (3) powróci do pierwotnej pozycji (rys. 21, krok 3).

# Działanie



**OSTRZEŻENIE!** Nie uruchamiać urządzenia przy zamkniętym zaworze dopływu wody! Skutkuje to pracą urządzenia na sucho i może doprowadzić do jego uszkodzenia!

Naciśnięcie dźwigni spustu (17a) wywołuje zjawisko odrzutu! Dlatego należy zawsze trzymać pistolet (17) obiema rękami!

Zwracać uwagę na bezpieczną postawę! Nieprawidłowa obsługa może skutkować odniesieniem obrażeń!



**OSTRZEŻENIE!** Nie korzystać z urządzenia przy temperaturze otoczenia niższej niż 0°C. Grozi to zamarznięciem wody wewnątrz urządzenia i jego uszkodzeniem.



**UWAGA:** Zawór bezpieczeństwa jest zaworem ograniczającym ciśnienie. Zwolnienie dźwigni spustu (17a) powoduje otwarcie zaworu i uwolnienie ciśnienia wewnątrz pompy.

**UWAGA:** Automatyczny mechanizm włączania i wyłączania silnika jest sprzężony z dźwignią spustu (17a) pistoletu (17). Po zwolnieniu dźwigni spustu (17a) ciśnienie dynamiczne powoduje automatyczne wyłączenie silnika. Po naciśnięciu dźwigni spustu (17a) automatyczny spadek ciśnienia powoduje włączenie silnika i przywrócenie, z niewielkim opóźnieniem, ciśnienia.

- Przed każdym użyciem należy sprawdzić urządzenie, jego przewód zasilający z wtyczką (6) i akcesoria pod kątem uszkodzeń. Nie używać urządzenia, jeśli jest uszkodzone lub wykazuje oznaki zużycia.
- Sprawdzić dokładnie, czy akcesoria i osprzęt są prawidłowo zamocowane.
- Zawsze trzymać pistolet (17) obiema rękami,
- Dbać o to, aby otwory wentylacyjne były zawsze drożne i czyste. W razie potrzeby oczyścić je za pomocą szczotki z miękkim włosiem. Niedrożność otworów wentylacyjnych może doprowadzić do przegrzania i uszkodzenia urządzenia.
- W przypadku zakłócenia pracy przez inne osoby wchodzące w obszar roboczy należy natychmiast wyłączyć urządzenie. Należy poczekać, aż urządzenie całkowicie się wyłączy, przed pozostawieniem go bez nadzoru.
- Nie przepracowywać się. Pamiętać o regularnych przerwach, aby zachować koncentrację i pełną kontrolę nad urządzeniem podczas pracy.

## 01 Uruchamianie



**OSTRZEŻENIE!** Uważać na odrzut przy naciskaniu spustu!



**UWAGA:** Pistolet (17) jest wyposażony w dźwignię blokady spustu (17d) (rys. 23), uniemożliwiającą przypadkowe uruchomienie dźwigni spustu (17a). Aby umożliwić naciśnięcie dźwigni spustu (17a) należy przesunąć dźwignię blokady spustu (17d) w górę.



**UWAGA:** Należy zawsze zachowywać odpowiednią odległość między dyszą a czyszczonym przedmiotem, aby nie spowodować jego uszkodzenia. W razie potrzeby zwrócić się o poradę do wyspecjalizowanego sprzedawcy.

1. Podłącz urządzenie do odpowiedniego źródła wody, jak opisano w instrukcji.
2. Podłącz urządzenie do odpowiedniego źródła zasilania, jak opisano w instrukcji.
3. Całkowicie otwórz zawór dopływu wody.
4. Trzymając pistolet (17) obiema rękami, skieruj dyszę od siebie w stronę czyszczonej powierzchni (rys. 22).
5. Naciśnij i przytrzymaj dźwignię spustową (17a) (rys. 23), aż z wylotu wody (21) zacznie wypływać woda bez pęcherzyków powietrza.
6. Ustaw przełącznik wł./wył. (12) w położeniu I (rys. 18).
7. Aby zmienić tryb pracy, obróć pokrętło regulacji ciśnienia (17c) na pistolecie (17) (rys. 24).
  - > Obróć pokrętło regulacji ciśnienia (17c) zgodnie z ruchem wskazówek zegara, aby włączyć tryb **SOFT**.
  - > Obróć pokrętło regulacji ciśnienia (17c) przeciwnie do ruchu wskazówek zegara, aby włączyć tryb **HARD**.

## 02 Po zakończeniu użytkowania

1. Zwolnij dźwignię spustu (17a) (rys. 25, krok 1).
2. Ustaw przełącznik wł./wył. (12) w położeniu O (rys. 25, krok 2).
3. Zamknij dopływ wody (rys. 25, krok 3).
4. Naciśnij dźwignię spustu (17a), aby umożliwić wypłynięcie wody z urządzenia i uwolnić ciśnienie resztkowe (rys. 25, krok 4). Przesuń dźwignię blokady spustu (17d) na dźwigni spustu (17a) w dół.



**OSTRZEŻENIE!** Należy odłączyć wąż ciśnieniowy (13) od pistoletu (17), a wąż ogrodowy od wlotu wody (11) dopiero wtedy, gdy w układzie nie ma już ciśnienia! Należy upewnić się, że urządzenie jest wyłączone i odłączone od zasilania.



**UWAGA:** Pistolet (17) jest wyposażony w dźwignię blokady spustu (17d) (rys. 23), uniemożliwiającą przypadkowe uruchomienie dźwigni spustu (17a). Po zakończeniu użytkowania urządzenia przesuń w dół dźwignię blokady spustu (17d) znajdującą się na dźwigni spustu (17a).

5. Wyjmij wtyczkę przewodu zasilającego (6) z gniazda.
6. Odłącz wąż ogrodowy od źródła wody, a następnie od przyłącza węża doprowadzającego wodę (19).
7. Odłącz wąż ciśnieniowy (13) od pistoletu (17).
8. Nawiń wąż ciśnieniowy (13) na bęben (14). Nie zginaj ani nie skręcaj węża ciśnieniowego (13).
9. Odłącz akcesoria w odwrotnej kolejności do procedury montażu.

# Wskazówki dotyczące czyszczenia

## 01 Informacje ogólne

- Rozpuścić brud, nanosząc detergent wymieszany z wodą na suchą powierzchnię. Pozostawić detergent na powierzchni na kilka minut, nie dopuszczając do jego wyschnięcia.
- Powierzchnie pionowe należy czyścić w kierunku od dołu do góry. Kierować strumień pod wysokim ciśnieniem z odległości co najmniej 30 cm, pod kątem 45°, od dołu do góry, a następnie spłukać powierzchnię w kierunku od góry do dołu.
- W przypadku uporczywych zabrudzeń przetrzeć powierzchnię szczotką przed rozpoczęciem mycia. Unikać kierowania strumienia ustawionego na najwyższe ciśnienie na delikatne lub malowane powierzchnie, a także na elementy pod ciśnieniem (np. opony, zawory powietrzne itp.).
- Skuteczność czyszczenia zależy zarówno od ciśnienia, jak i objętości użytej wody.

## 02 Powierzchnie drewniane i winylowe (tryb SOFT)



**PRZESTROGA!** Przy czyszczeniu miękkiego drewna należy zwiększyć odległość dyszy od czyszczonej powierzchni.

- Podzielić obszar roboczy na mniejsze sekcje i czyścić je kolejno w celu uzyskania optymalnych efektów.
- Spłukiwać pod wysokim ciśnieniem za pomocą natrysku wachlarzowego, trzymając dyszę w odległości co najmniej 15 – 25 cm od czyszczonej powierzchni.
- Zachowywać większą odległość od czyszczonej powierzchni w przypadku użycia natrysku strumieniowego.

## 03 Powierzchnie cementowe, kamień i cegła (tryb HARD)

- Spłukiwać strumieniem wachlarzowym pod wysokim ciśnieniem, płynnymi ruchami, trzymając dyszę w odległości co najmniej 7 – 15 cm od czyszczonej powierzchni.
- Zachowywać większą odległość od czyszczonej powierzchni w przypadku użycia natrysku strumieniowego.

## 04 Samochody, łodzie i motocykle (tryb SOFT)



**OSTRZEŻENIE!** Nie czyścić silników za pomocą tego urządzenia!

- Aby uzyskać najlepsze efekty, należy umyć najpierw jedną, a następnie drugą stronę.
- Słukiwać strumieniem wachlarzowym pod wysokim ciśnieniem, płynnymi ruchami, trzymając dyszę w odległości co najmniej 20 cm od czyszczonej powierzchni. Nie używać wąskiego strumienia punktowego do mycia lakierowanych powierzchni pojazdów i łodzi.
- W celu uzyskania połysku wytrzeć powierzchnię do sucha.



Czyszczenie i konserwacja

### 01 Najważniejsze zasady konserwacji



**OSTRZEŻENIE!** Przed rozpoczęciem czyszczenia, konserwacji lub przechowywania urządzenia należy zawsze nacisnąć dźwignię spustu (17a), aby uwolnić ciśnienie pozostałe w węży ciśnieniowym (13).



Przed przystąpieniem do kontroli, konserwacji lub czyszczenia należy koniecznie wyłączyć urządzenie, odłączyć je od źródła zasilania i zaczekać, aż ostygnie!

1. Utrzymywać urządzenie w czystości. Po każdym użyciu i przed przechowywaniem należy usunąć wszystkie zabrudzenia.
2. Regularne i prawidłowe czyszczenie urządzenia zapewnia jego bezpieczne działanie i długi czas eksploatacji.
3. Przed przystąpieniem do użytkowania sprawdzić maszynę pod kątem uszkodzeń i oznak zużycia. Nie używać produktu w przypadku zauważenia uszkodzonych lub zużytych elementów.



**OSTRZEŻENIE!** Naprawy i prace konserwacyjne należy wykonywać wyłącznie zgodnie z niniejszą instrukcją! Wszelkie inne czynności mogą być wykonywane tylko przez wykwalifikowanego specjalistę!

## 02 Czyszczenie



**UWAGA:** Do czyszczenia urządzenia nie należy używać środków chemicznych, alkalicznych, ściernych lub innych silnych detergentów lub środków dezynfekujących, ponieważ mogą one uszkodzić jej powierzchnię.

### Urządzenie

1. Czyścić urządzenie lekko zwilżoną ściereczką i łagodnym mydłem. Do czyszczenia trudno dostępnych miejsc należy użyć szczotki.
2. Po każdym użyciu wyczyścić przede wszystkim otwory wentylacyjne za pomocą ściereczki i szczotki.
3. Uporczywe zabrudzenia usuwać za pomocą sprężonego powietrza (maks. 3 bar).

### Akcesoria

1. Czyścić akcesoria lekko zwilżoną ściereczką i łagodnym mydłem. Do czyszczenia trudno dostępnych miejsc należy użyć szczotki.
2. Przepchać podwójną dyszę obrotową (4), dysza obrotowa pojedyncza (23) i dyszę 5 w 1 (8) za pomocą igły do czyszczenia (20) (rys. 26). W tym celu wsunąć igłę do czyszczenia do otworu dyszy i poruszać nią tam i z powrotem.
3. Rozmontować przyłączy węża doprowadzającego wodę (19) (rys. 27). Oplukać elementy czystą wodą (rys. 28).
4. Po zakończeniu pracy opróżnić i umyć wytwornicę piany (9). Umyć butelkę na detergent (9d).

## 03 Odkamienianie

Okresowo — zależnie od właściwości używanej wody — w urządzeniu i na akcesoriach osadza się kamień. Ilość osadu (a tym samym częstotliwość odkamieniania) zależy od stopnia twardości wody i częstotliwości używania urządzenia. Aby ustalić stopień twardości wody, należy skontaktować się z lokalnym zakładem wodociągowym.



**UWAGA:** Do odkamieniania należy używać wody z dodatkiem kwasu cytrynowego lub octu. Substancje te łatwo ulegają biodegradacji i są przyjazne dla środowiska!

1. Przygotować w odpowiednim naczyniu (np. misce) roztwór z jednej części octu i dwóch części gorącej wody ( $\leq 50^{\circ}\text{C}$ ).
2. Umieścić w roztworze odłączone akcesoria.
3. Pozostawić akcesoria w roztworze na ok. 12 godzin.
4. Oplukać akcesoria czystą wodą.

## 04 Konserwacja

Przed każdym użyciem sprawdzić urządzenie i akcesoria pod kątem zużycia i uszkodzeń. W razie potrzeby wymienić je na nowe zgodnie ze wskazówkami zawartymi w niniejszej instrukcji. Przestrzegać wymagań technicznych.

## 05 Części zamienne

Części urządzenia wskazane w tabeli konserwacji mogą zostać wymienione przez użytkownika. Części zamienne są dostępne u autoryzowanego dealera oraz w naszym dziale obsługi klienta.

Pistolet	Lanca przedłużająca
Podwójna dysza obrotowa	Dysza 5 w 1
Wytwornica piany	Szczotka do czyszczenia tarasów
Dysza obrotowa pojedyncza	

## 06 Naprawa

To urządzenie nie zawiera żadnych części, które mogłyby być naprawiane przez klienta. W celu sprawdzenia i naprawienia urządzenia należy skontaktować się z autoryzowanym centrum serwisowym lub wykwalifikowanym specjalistą.

## 07 Transportowanie

1. Wyłączyć urządzenie i odłączyć je od źródła zasilania.
2. Odłączyć urządzenie od źródła wody.
3. Przenieść urządzenie na kółkach (10), używając uchwytu transportowego (1).
4. Urządzenie i akcesoria do niego należy przechowywać w suchym miejscu, w którym nie występują ujemne temperatury.
5. Chronić urządzenie przed mocnymi uderzeniami i drganiami, które mogą wystąpić podczas transportowania pojazdami.
6. Zabezpieczyć urządzenie, aby się nie przesunęło ani nie przewróciło.

## 08 Przechowywanie



**UWAGA:** Dobre warunki przechowywania mają duże znaczenie dla zapewnienia bezproblemowej pracy urządzenia.

1. Wyłączyć urządzenie i odłączyć je od źródła zasilania.
2. Odłączyć urządzenie od źródła wody.
3. Wyczyścić urządzenie w sposób opisany powyżej.
4. Po zakończeniu pracy spuścić pozostałą wodę i umyć butelkę na detergent (9d).
5. Przechowywać części w uchwytach (2, 5, 22) lub w schowku na akcesoria (7) (rys. 29, 30).



6. Urządzenie i akcesoria do niego należy przechowywać w suchym miejscu, w którym nie występują ujemne temperatury.
7. Należy zawsze przechowywać urządzenie w miejscu niedostępnym dla dzieci. Optymalna temperatura przechowywania wynosi od 10 C do 30°C.
8. Zalecamy przechowywanie urządzenia w oryginalnym opakowaniu lub przykrycie go odpowiednim materiałem, aby chronić je przed zakurzeniem.

## 09 Rozwiązywanie problemów

Usterki często wynikają z przyczyn, które użytkownik może sam usunąć. Dlatego należy sprawdzić urządzenie, korzystając z informacji podanych w niniejszym rozdziale. W większości przypadków problem można szybko rozwiązać.



**OSTRZEŻENIE!** Należy wykonać wyłącznie czynności opisane w niniejszej instrukcji! Jeśli użytkownik nie może sam rozwiązać problemu, wszystkie dodatkowe czynności kontrolne, konserwacyjne i naprawcze muszą zostać wykonane przez autoryzowane centrum serwisowe lub wykwalifikowanego specjalistę!

Problem	Możliwa przyczyna	Rozwiązanie
1. Urządzenie nie uruchamia się.	1.1 Urządzenie nie jest podłączone do zasilania	1.1 Podłączyć urządzenie do odpowiedniego gniazda.
	1.2 Przewód zasilający lub jego wtyczka są uszkodzone.	1.2 Skontaktować się z najbliższym autoryzowanym centrum serwisowym.
	1.3 Inna usterka elektryczna urządzenia.	1.3 Skontaktować się z najbliższym autoryzowanym centrum serwisowym.
	1.4 Dźwignia blokady spustu jest przesunięta w górę.	1.4 Przesunąć dźwignię blokady spustu w dół.
	1.5 Zatkana dysza.	1.5 Przepchać dyszę za pomocą igły do czyszczenia.
	1.6 Przegrzany silnik.	1.6 Wyłączyć urządzenie i odłączyć je od źródła zasilania. Zaczekać 10 minut, aby ostygło, i włączyć je ponownie.

<b>Problem</b>	<b>Możliwa przyczyna</b>	<b>Rozwiązanie</b>
2. Urządzenie nie osiąga pełnej mocy.	2.1 Przedłużacz nieodpowiedni do tego urządzenia. 2.2 Zbyt niskie napięcie źródła zasilania (np. generatora). 2.3 Otwory wentylacyjne są zablokowane. 2.4 Zbyt mała ilość dostarczanej wody. 2.5 Wąż ciśnieniowy jest nieszczelny. 2.6 Wąż ogrodowy jest nieszczelny. 2.7 Mocno zabrudzony filtr wlotowy. 2.8 Urządzenie zasysa powietrze. 2.9 Zużyte uszczelki.	2.1 Użyć odpowiedniego przedłużacza. 2.2 Zbyt niskie napięcie źródła zasilania (np. generatora). 2.3 Oczyszczyć otwory wentylacyjne. 2.4 Całkowicie otworzyć dopływ wody. 2.5 Wymienić go na nowy wąż ciśnieniowy. 2.6 Wymienić go na nowy wąż ogrodowy. 2.7 Oczyszczyć filtr wlotowy. 2.8 Sprawdzić, czy mocowania węży są dokręcone. 2.9 Skontaktować się z najbliższym autoryzowanym centrum serwisowym.
3. Z przyłącza lub urządzenia wycieka woda.	3.1 Wąż ciśnieniowy jest nieszczelny. 3.2 Wąż ogrodowy jest nieszczelny. 3.3 O-ring przy przyłączy węża doprowadzającego wodę jest uszkodzony. 3.4 Zużyte uszczelki.	3.1 Wymienić go na nowy wąż ciśnieniowy. 3.2 Wymienić go na nowy wąż ogrodowy. 3.3 Wymienić przyłączy węża doprowadzającego wodę na nowe. 3.4 Skontaktować się z najbliższym autoryzowanym centrum serwisowym.

<b>Problem</b>	<b>Możliwa przyczyna</b>	<b>Rozwiązanie</b>
4. Duże wahania ciśnienia.	4.1 Zatkana dysza.	4.1 Przepchać dyszę za pomocą igły do czyszczenia.
	4.2 Zbyt mała ilość dostarczanej wody.	4.2 Całkowicie otworzyć dopływ wody.
	4.3 Wąż ciśnieniowy jest nieszczelny.	4.3 Wymienić go na nowy wąż ciśnieniowy.
	4.4 Wąż ogrodowy jest nieszczelny.	4.4 Wymienić go na nowy wąż ogrodowy.
	4.5 Filtr wlotowy jest mocno zabrudzony.	4.5 Oczyszczyć filtr wlotowy.
	4.6 Urządzenie zasysa powietrze.	4.6 Sprawdzić szczelność połączeń węży.
	4.7 Zużyte uszczelki.	4.7 Skontaktować się z najbliższym autoryzowanym centrum serwisowym.
5. Nadmierne drgania lub zbyt głośna praca	5.1 Poluzowane śruby i nakrętki.	5.1 Sprawdzić, czy mocowania są dokręcone. W razie potrzeby dokręcić je.
	5.2 Uszkodzony silnik.	5.2 Skontaktować się z najbliższym autoryzowanym centrum serwisowym.
	5.3 Zbyt mała ilość dostarczanej wody.	5.3 Całkowicie otworzyć dopływ wody.
6. Detergent nie jest pobierany.	6.1 Detergent jest zbyt gęsty.	6.1 Rozcieńczyć wodą.
	6.2 Osady lub zanieczyszczenia w obwodzie detergentu.	6.2 Przepłukać czystą wodą i usunąć wszelkie zanieczyszczenia. Jeśli problem nadal występuje, skontaktować się z autoryzowanym centrum serwisowym.

Problem	Możliwa przyczyna	Rozwiązanie
7. Brak strumienia wody.	7.1 Brak dopływu wody. 7.2 Filtr wlotowy jest mocno zabrudzony. 7.3 Zatkane węże. 7.4 Zatkana dysza.	7.1 Sprawdzić dopływ wody. 7.2 Oczyszczyć filtr wlotowy. 7.3 Oczyszczyć węże. 7.4 Przepchać dyszę za pomocą igły do czyszczenia.

## Recykling i utylizacja



Zużytych urządzeń elektrycznych nie należy wyrzucać razem z odpadami komunalnymi. Należy je przekazać do utylizacji w przeznaczonych do tego miejscach.

Informacje dotyczące recyklingu można uzyskać u władz lokalnych lub w punkcie sprzedaży.

Urządzenie jest dostarczane w opakowaniu, które chroni je przed uszkodzeniem w trakcie transportu. Należy zachować opakowanie do czasu upewnienia się, że wszystkie części zostały dostarczone, a urządzenie działa prawidłowo. Następnie można przekazać opakowanie do recyklingu.



## Gwarancja

Przykładamy szczególną wagę do tego, aby wybierać materiały wysokiej jakości i stosować techniki produkcyjne, które umożliwiają łączenie estetyki i wytrzymałości. W przypadku normalnego (nieprofesjonalnego lub niekomercyjnego) użytku domowego produkt jest objęty 3-letnią gwarancją producenta liczoną od daty zakupu (jeśli produkt zakupiono w sklepie) lub dostawy (jeśli produkt zakupiono przez Internet).

W celu zgłoszenia roszczenia w ramach gwarancji należy przedstawić dowód zakupu (np. paragon, fakturę lub inny ważny w świetle prawa dokument). Dowód zakupu należy przechowywać w bezpiecznym miejscu. Gwarancja dotyczy wyłącznie produktów zakupionych jako nowe, a nie nabytych jako używane lub powystawowe. Jeśli odpowiednie przepisy nie stanowią inaczej, produkt zastępczy wydany na mocy niniejszej gwarancji będzie objęty gwarancją tylko do końca okresu obowiązywania pierwotnej gwarancji.

Gwarancja obejmuje usterki i awarie, przy założeniu, że produkt był używany zgodnie z przeznaczeniem oraz zamontowany, czyszczony, konserwowany i serwisowany zgodnie ze standardowymi praktykami i informacjami zawartymi powyżej, w instrukcji obsługi oraz określonymi przez standardowe sposoby postępowania, jeśli są one zgodne z instrukcją obsługi.

Niniejsza gwarancja nie obejmuje wad ani uszkodzeń wynikających z normalnego zużycia, uszkodzeń będących skutkiem niewłaściwego użytkowania, montażu lub złożenia, a także zaniedbania, wypadku, używania niezgodnego z przeznaczeniem lub modyfikacji produktu. Jeśli lokalne przepisy nie stanowią inaczej, niniejsza gwarancja nie obejmuje w żadnym przypadku kosztów dodatkowych (dostawy, transportu, demontażu oraz montażu, robocizny itp.) ani strat bezpośrednich lub pośrednich.

Prawa wynikające z niniejszej gwarancji mają zastosowanie w kraju, w którym zakupiono produkt. Pytania dotyczące gwarancji należy kierować do sklepu, w którym zakupiono produkt.

Niniejsza gwarancja jest dokumentem dodatkowym, który nie ma wpływu na ustawowe prawa konsumenta.

Niniejsza gwarancja nie narusza ustawowych praw nabywcy.



## Deklaracja zgodności



(EN) EU DECLARATION OF CONFORMITY  
(FR) DÉCLARATION UE DE CONFORMITÉ  
(PL) DEKLARACJA ZGODNOŚCI UE  
(RO) DECLARAȚIA DE CONFORMITATE UE  
(ES) DECLARACIÓN UE DE CONFORMIDAD  
(PT) DECLARAÇÃO DE CONFORMIDADE UE

Product/ Produit/ Produkt/Produsul/Producto/Produto

- > Product name – High Pressure Washer/ Nettoyeur haute pression/ Myjka ciśnieniowa/ Aparat de spălat cu înaltă presiune/ Hochdruckreiniger/ Hidrolimpiadora de alta presión/ Lavadora a alta pressão
- > Product model – EBPW3000
- > Type / batch or serial number range 000001 to 999999

Name and address of the manufacturer or his authorised representative:  
Nom et adresse du fabricant ou de son mandataire:  
Nazwa i adres producenta lub jego upoważnionego przedstawiciela:  
Denumirea și adresa producătorului sau a reprezentantului său autorizat:  
Nombre y dirección del fabricante o de su representante autorizado:  
Nome e endereço do fabricante ou do respetivo mandatário:

Kingfisher International Products B.V.,  
Rapenburgerstraat 175E,  
1011 VM Amsterdam,  
The Netherlands

This declaration of conformity is issued under the sole responsibility of the manufacturer.  
La présente déclaration de conformité est établie sous la seule responsabilité du fabricant.  
Niniejsza deklaracja zgodności wydana zostaje na wyłączną odpowiedzialność producenta.  
Prezenta declarație de conformitate este emisă pe răspunderea exclusivă a producătorului.  
La presente declaración de conformidad se expide bajo la exclusiva responsabilidad del fabricante.  
A presente declaração de conformidade é emitida sob a exclusiva responsabilidade do fabricante.

Object of the declaration/Objet de la declaration/Przedmiot deklaracji/Obiectul declarației/Objeto de la declaración/Objeto da declaração

Product/Produit/Produkt/ Produsul/Producto/ Produto	Model/Modèle/Model/Modelul/ Modelo/ Modelo	EAN
High Pressure Washer/ Nettoyeur haute pression/ Myjka ciśnieniowa/ Aparat de spălat cu înaltă presiune/ Hochdruckreiniger/ Hidrolimpiadora de alta presión/ Lavadora a alta pressão	EBPW3000	EU : 5063022018915 UK : 5063022018892

The object of the declaration described above is in conformity with the relevant Union harmonisation legislation:

L'objet de la déclaration décrit ci-dessus est conforme à la législation d'harmonisation de l'Union applicable:

Wymieniony powyżej przedmiot niniejszej deklaracji jest zgodny z odnośnymi wymaganiami unijnego prawodawstwa harmonizacyjnego:

Obiectul declarației descris mai sus este în conformitate cu legislația relevantă de armonizare a Uniunii:

El objeto de la declaración descrita anteriormente es conforme con la legislación de armonización pertinente de la Unión:

O objeto da declaração acima descrito está em conformidade com a legislação de harmonização da União aplicável:

2006/42/EC as amended	Machinery Directive
2014/30/EU as amended	Directive Electromagnetic compatibility
2000/14/EC as amended	Outdoor Noise Directive
2011/65/EU as amended	Directive Restriction of the use of certain hazardous substances in electrical and electronic equipment
Directive 2006/42/CE relative aux machines	
2014/30 / UE telle que modifiée Directive Compatibilité électromagnétique	
Directive 2000/14/CE relative aux émissions sonores extérieures	
Directive 2011/65/UE relative à la limitation de l'utilisation de certaines substances dangereuses dans les équipements électriques et électroniques	
2006/42/WE w zmienionej dyrektywie maszynowej	
2014/30 / UE ze zmianami Dyrektywa Kompatybilność elektromagnetyczna	
2000/14/WE w zmienionej dyrektywie w sprawie hałasu na zewnątrz	
2011/65 / UE ze zmianami Dyrektywa Ograniczenie stosowania niektórych niebezpiecznych substancji w sprzęcie elektrycznym i elektronicznym	
2006/42/CE, astfel a fost modificată Directiva privind echipamentele	
2014/30/UE, astfel a fost modificată Directiva privind compatibilitatea electromagnetică	
2000/14/CE, astfel a fost modificată Directiva privind zgomotul în aer liber	
2011/65/UE, astfel a fost modificată Directiva privind limitarea utilizării anumitor substanțe periculoase în echipamentele electrice și electronice	
Directiva sobre maquinaria modificada 2006/42/CE	
2014/30/UE modificada Directiva Compatibilidad electromagnética	
2000/14/CE modificada Directiva sobre ruido al aire libre	
2011/65/UE modificada Directiva Restricción del uso de determinadas sustancias peligrosas en equipos eléctricos y electrónicos	
2006/42/CE como diretiva de máquinas alteradas	
2014/30/UE como alteração da compatibilidade eletromagnética	
2000/14/CE como diretiva de ruído exterior alterada	
2011/65/UE como restrição diretiva alterada da utilização de certas substâncias perigosas em equipamentos elétricos e eletrônicos	

**Measured Sound Power Level**  
**Le niveau de puissance acoustique mesuré**  
**Zmierzony poziom mocy akustycznej**  
**Nivel de putere acustică măsurat**  
**Nível de potencia sonora medido**  
**Nível de potência sonora medido**  
**: 93 dB(A)**

**Guaranteed Sound Power Level**  
**Le niveau de puissance acoustique garant**  
**Gwarantowany poziom mocy akustycznej**  
**Nivel de putere acustică garantat**  
**Nível de potencia sonora garantizado**  
**Nível de potência sonora garantido**  
**: 96 dB(A)**

References to the relevant harmonised standards used or references to the other technical specifications in relation to which conformity is declared:

Références des normes harmonisées pertinentes appliquées, y compris la date de celles-ci, ou des autres spécifications techniques, y compris la date de celles-ci, par rapport auxquelles la conformité est déclarée:

Odwołania do odnośnych norm zharmonizowanych, które zastosowano, wraz z datą normy, lub do innych specyfikacji technicznych, wraz z datą specyfikacji, w odniesieniu do których deklarowana jest zgodność:

Trimiteri la standardele armonizate relevante folosite, inclusiv data standardului, sau trimeri la celelalte specificații tehnice, inclusiv data specificațiilor, în legătură cu care se declară conformitatea:

Referencias a las normas armonizadas pertinentes utilizadas, incluidas las fechas de las normas, o referencias a las otras especificaciones técnicas, incluidas las fechas de las especificaciones, respecto a las cuales se declara la conformidad:

Referências às normas harmonizadas aplicáveis utilizadas, incluindo a data da norma, ou às outras especificações técnicas, incluindo a data da especificação, em relação às quais é declarada a conformidade:

EN 60335-1:2012/A15:2021

EN 60335-2-79: 2012

EN 62233:2008

EN 55014-1:2017/A11:2020

EN 55014-2:1997/A2:2008

EN 61000-3-2:2014

EN 61000-3-3:2013

EN IEC 55014-1:2021

EN IEC 55014-2:2021

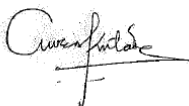
EN IEC 61000-3-2:2019/A1:2021

EN IEC 61000-3-11:2019

EN ISO 3744:1995

Authorised signatory and technical file holder/signataire et responsable de la documentation technique  
autorisé/ podmiot uprawniony do wystawienia i adres prezechowywania dokumentacji technicznej/  
semnatar autorizat și deținător al dosarului tehnic/firmante autorizado y titular del expediente tecnico/  
signatário autorizado e detentor da ficha técnica

Kingfisher International Products B.V.,  
Rapenburgerstraat 175E,  
1011 VM Amsterdam,  
The Netherlands



David Awe  
Group Quality Director

[30/10/2022]



# Erbauer®

**Manufacturer, Fabricant, Prodecent,  
Producător, Fabricante:**

**UK Manufacturer:**

Kingfisher International Products Limited  
1 Paddington Square, London, W2 1GG,  
United Kingdom

**EU Manufacturer:**

Kingfisher International Products B.V.  
Rapenburgerstraat 175E 1011 VM Amsterdam  
The Netherlands

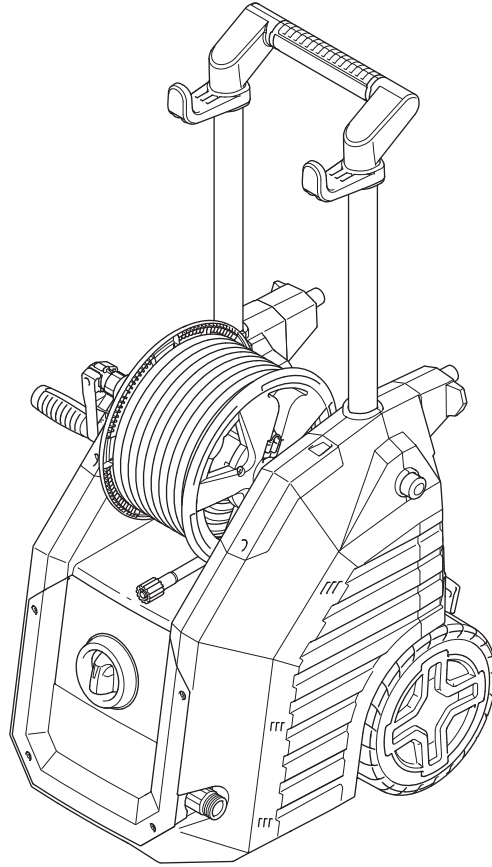


[www.castorama.pl](http://www.castorama.pl)

Aby zapoznać się z instrukcją obsługi online,  
odwiedź stronę [www.kingfisher.com/products](http://www.kingfisher.com/products)



**Erbauer®**



# EBPW3000

EAN: 5063022018915, 5063022018892

INSTRUCCIONES ORIGINALES



V10424\_5063022018915\_MAND2\_2324



Descripción de la máquina

4



Instrucciones de seguridad

10



Montaje

20



Uso

23



+



Cuidado y mantenimiento

31



Garantía

37



Declaración de conformidad

39



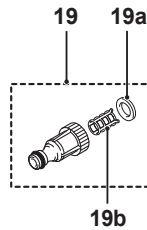
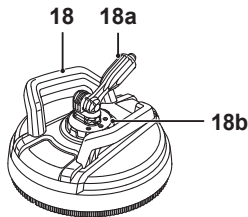
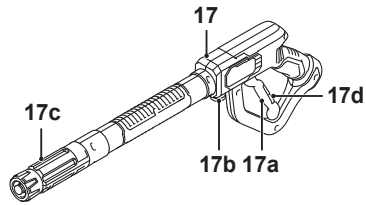
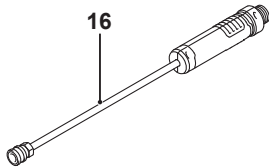
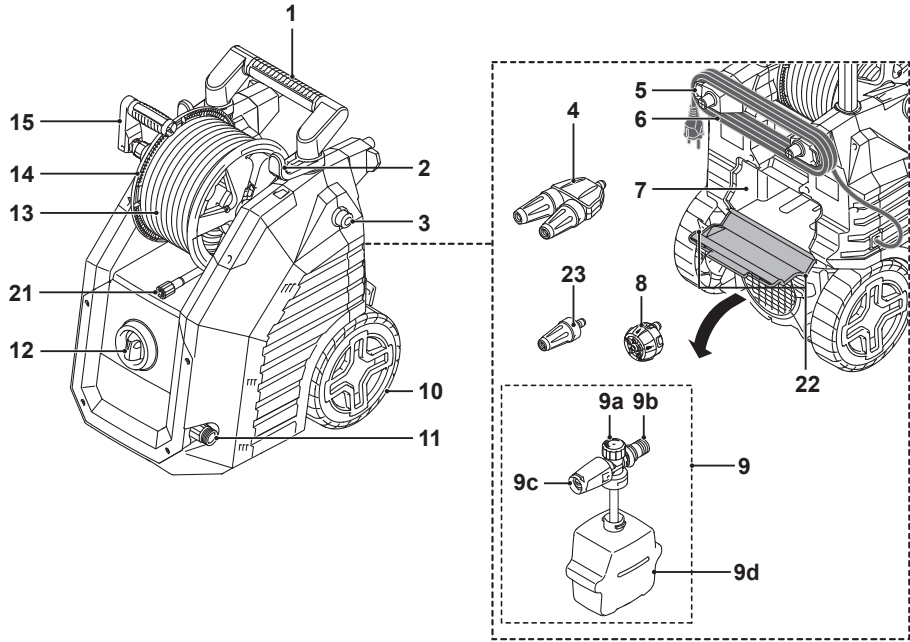
**ADVERTENCIA:** Lea todas las instrucciones de seguridad con detenimiento y asegúrese de que las ha entendido completamente antes de manipular la máquina.

## DESCRIPCIÓN DE LA MÁQUINA

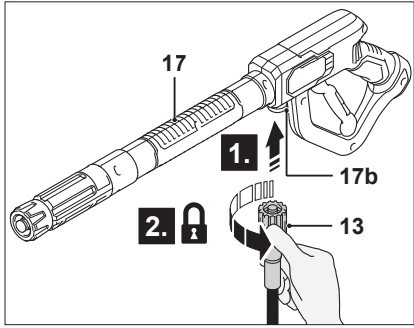
1. Asa de transporte
2. Soporte de pistola con activador
3. Botón de bloqueo-apagado
4. Boquilla giratoria doble
5. Soporte del cable de alimentación (x2)
6. Cable de alimentación con enchufe
7. Cámara de accesorios
8. Boquilla 5 en 1
9. Cañón de espuma
  - a. Perilla de ajuste de caudal
  - b. Puerto de conexión
  - c. Boquilla
  - d. Botella de detergente
10. Rueda (x2)
11. Entrada de agua
12. Interruptor de encendido/apagado (O / I)
13. Manguera de alta presión
14. Enrollador de manguera
15. Manivela
16. Lanza de prolongación
17. Pistola con activador
  - a. Palanca de activación
  - b. Conexión de manguera
  - c. Perilla de ajuste de presión
  - d. Palanca de bloqueo del gatillo
18. Cepillo de patio
  - a. Conector de lanza de extensión
  - b. Rueda de ajuste de presión
19. Adaptador de manguera de entrada de agua
  - a. Junta
  - b. Filtro de entrada
20. Aguja de limpieza
21. Salida de agua
22. Soporte para accesorios (x2)
23. Boquilla giratoria simple



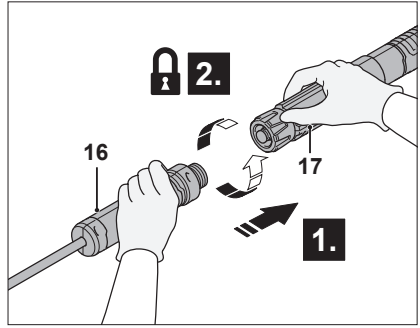
# Descripción de la máquina



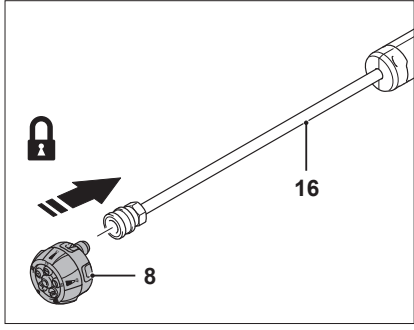
1



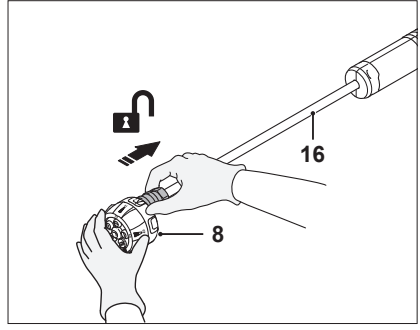
2



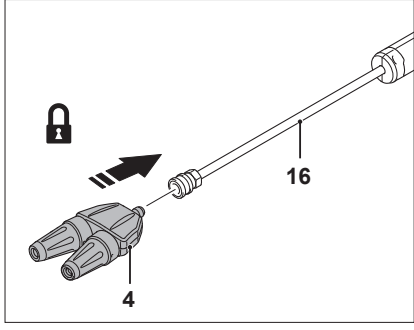
3



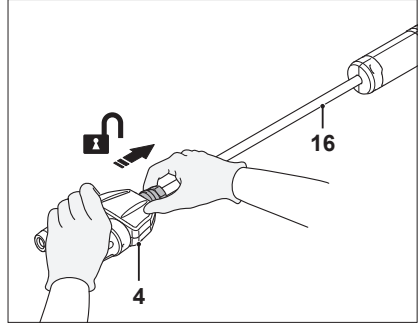
4



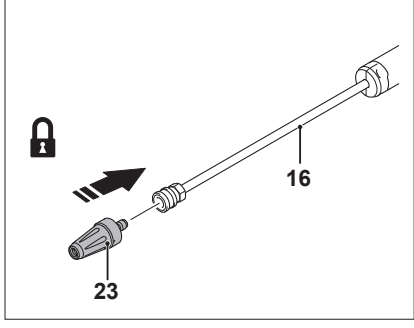
5



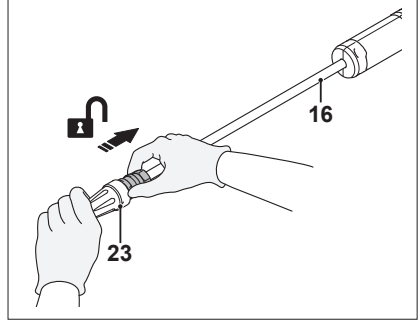
6



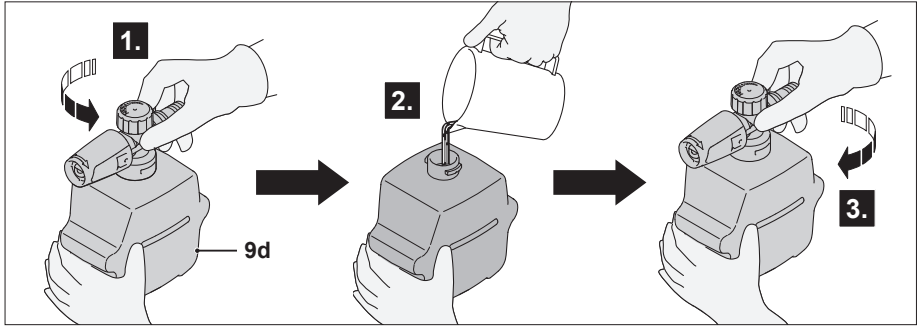
7



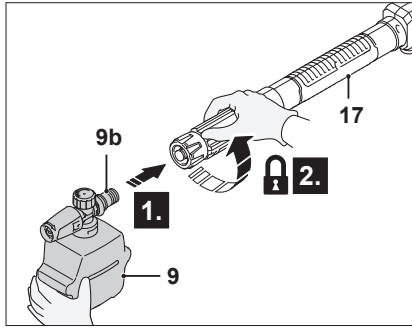
8



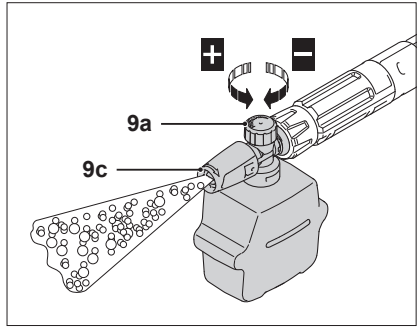
9



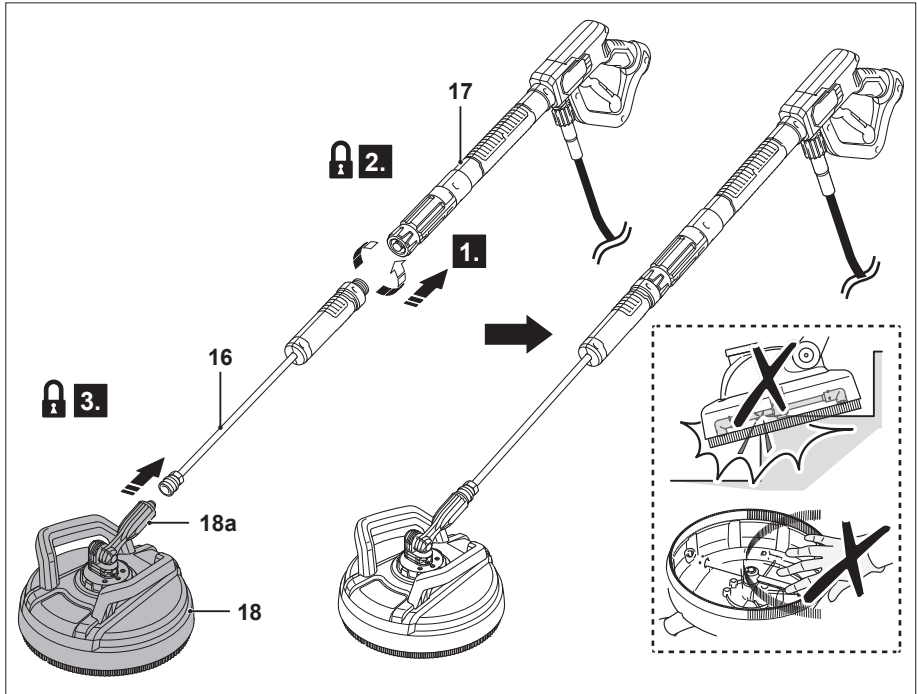
10



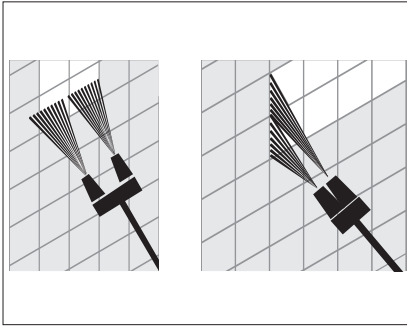
11



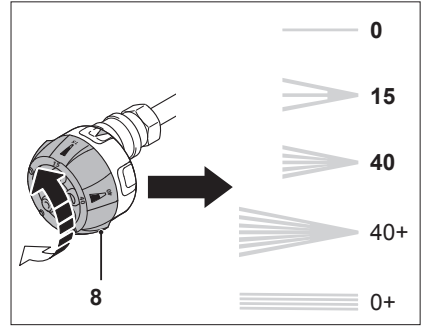
12



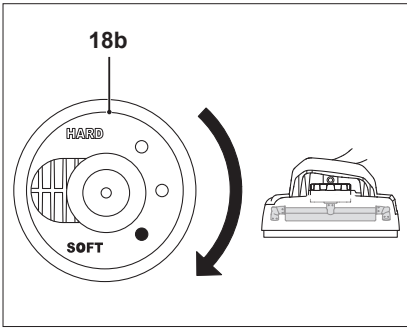
13



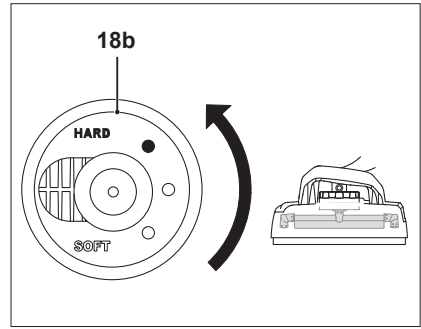
14



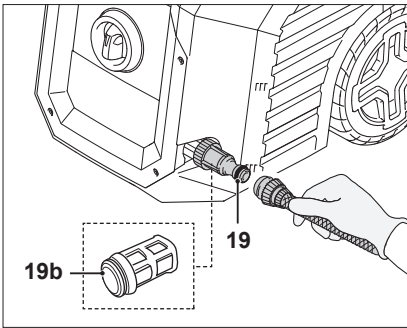
15



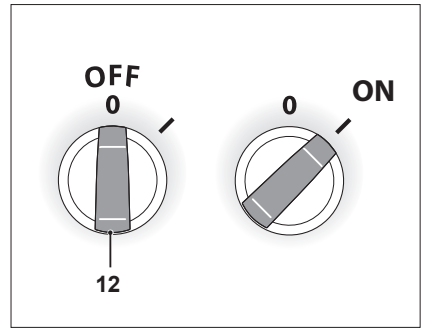
16



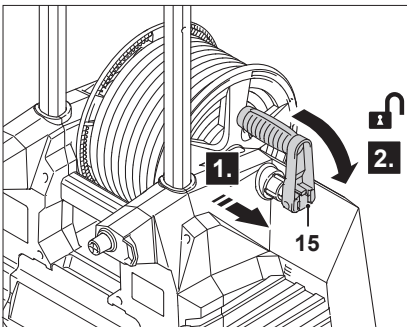
17



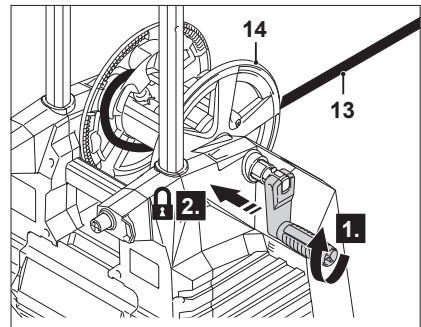
18



19

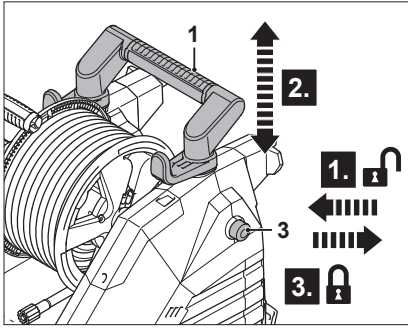


20





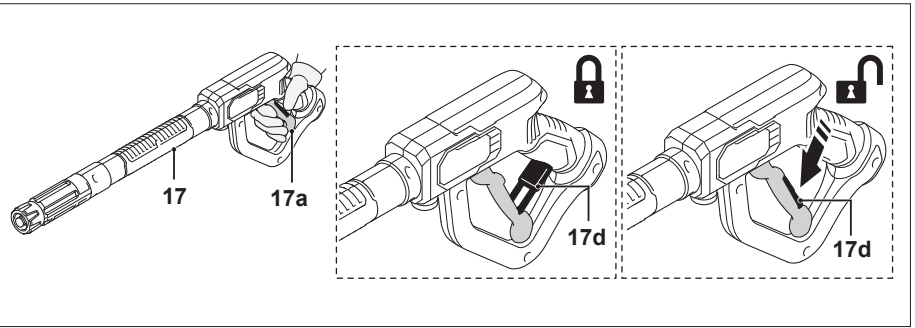
21



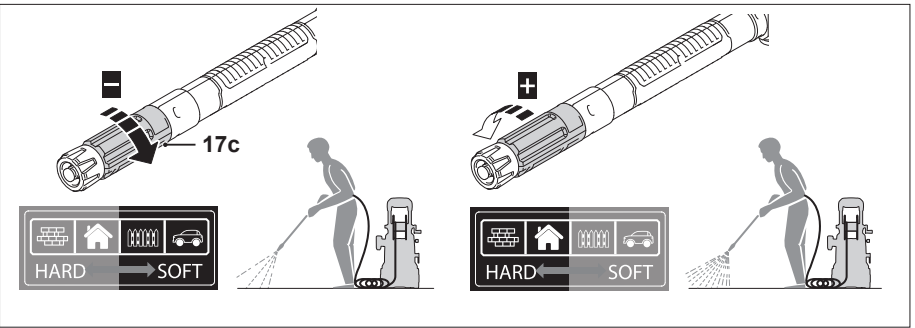
22



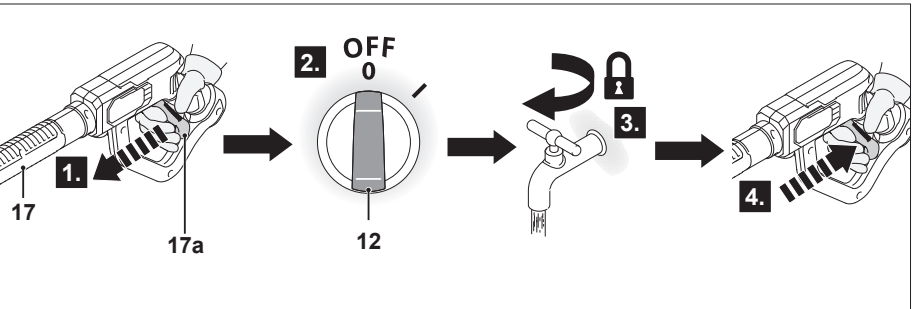
23



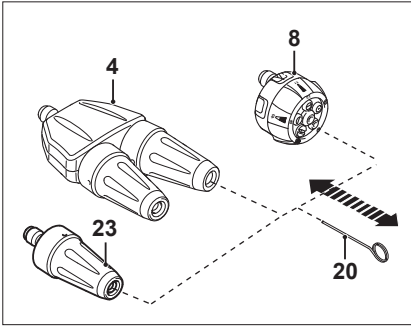
24



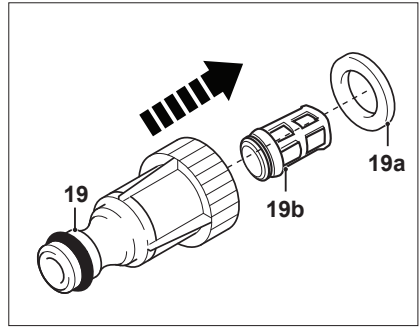
25



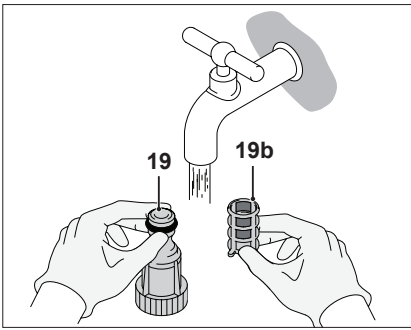
26



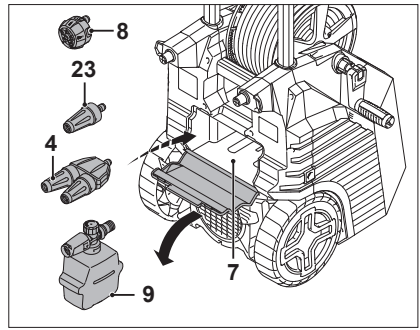
27



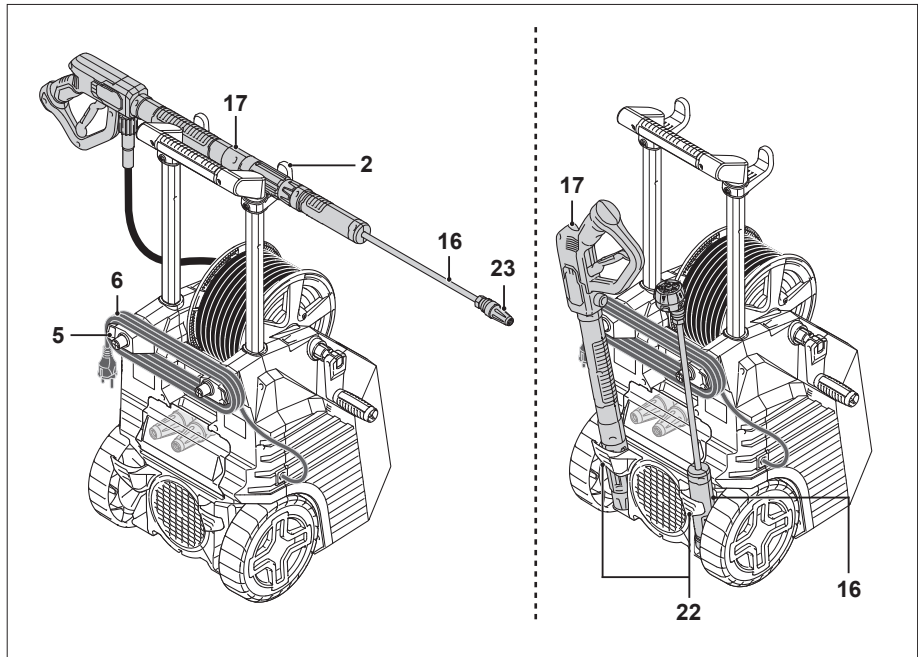
28



29



30





## Instrucciones de seguridad



**ADVERTENCIA** Lea todas las advertencias de seguridad, instrucciones, ilustraciones y especificaciones proporcionadas con esta máquina. Si no se siguen todas las instrucciones indicadas a continuación, se pueden producir descargas eléctricas, incendios o lesiones graves.

**Guarde todas las advertencias e instrucciones para futura referencia.**

- Los niños no deben manejar las máquinas. Los niños deben estar vigilados para evitar que jueguen con la máquina.
- Esta máquina la pueden usar personas con capacidades físicas, sensoriales o mentales reducidas, así como personas sin experiencia ni conocimientos si han recibido supervisión o instrucciones sobre su uso de forma segura y comprenden los riesgos que conlleva.

### **SEGURIDAD PARA EL LIMPIADOR DE ALTA PRESIÓN**

- **ADVERTENCIA:** Esta máquina se ha diseñado para utilizarse con el producto de limpieza suministrado o recomendado por el fabricante. El uso de otros productos de limpieza o químicos puede perjudicar a la seguridad del equipo.
- **ADVERTENCIA:** Al usar un limpiador de alta presión se pueden generar aerosoles. La inhalación de aerosoles puede ser peligrosa para la salud.
- **ADVERTENCIA:** Los chorros de alta presión pueden ser peligrosos si se hace un uso indebido. No dirija nunca el chorro hacia personas, equipos eléctricos conectados a la corriente ni la propia máquina.

- **ADVERTENCIA:** No utilice el producto cerca de las personas, a menos que lleven ropa protectora.
- **ADVERTENCIA:** No dirija el chorro contra usted ni contra los demás para limpiar la ropa o el calzado.
- **ADVERTENCIA:** Riesgo de explosión: No pulverice líquidos inflamables.
- **ADVERTENCIA:** Los limpiadores de alta presión no deben ser usados por niños o personal que no haya sido instruido.
- **ADVERTENCIA:** Las mangueras de alta presión, los accesorios y los acoplamientos son importantes para la seguridad de la máquina. Utilice únicamente mangueras, accesorios y acoplamientos recomendados por el fabricante.
- **ADVERTENCIA:** Para garantizar la seguridad de la máquina, utilice únicamente piezas de repuesto originales del fabricante o aprobadas por el fabricante.
- **ADVERTENCIA:** El agua que ha pasado a través de los dispositivos que previenen el reflujo no es potable.
- **ADVERTENCIA:** Retire el enchufe de la toma de corriente durante la limpieza o el mantenimiento y cuando sustituya piezas o adapte la máquina para otra función.
- **ADVERTENCIA:** No utilice la máquina si el cable de alimentación o alguna pieza importante presenta daños, por ejemplo, dispositivos de seguridad, mangueras de alta presión o pistola con activador.
- **ADVERTENCIA:** Los alargadores inadecuados pueden ser peligrosos. Si se utiliza un alargador, deberá ser adecuado para su uso en exteriores, y la conexión deberá mantenerse seca y alejada del suelo. Para ello, se recomienda utilizar un enrollador de cable que mantenga la toma a una altura mínima de 60 mm del suelo.

- **ADVERTENCIA:** Apague siempre el interruptor de desconexión de la red eléctrica cuando deje la máquina desatendida.
- Nunca use la máquina con líquidos tóxicos o inflamables, ni con líquidos de características incompatibles con su correcto funcionamiento.
- No utilice nunca la máquina en exteriores cuando llueva.
- No bloquee nunca el activador de la pistola en la posición de funcionamiento.
- Compruebe que la máquina tiene pegada su etiqueta de especificaciones; póngase en contacto con su distribuidor si no la encuentra. Las máquinas sin etiqueta de especificaciones no deben utilizarse, puesto que no son identificables y son potencialmente peligrosas.
- Nunca manipule o ajuste la configuración de la válvula de seguridad o los dispositivos de seguridad.
- No cambie nunca el diámetro original de la boquilla ajustable.
- No deje nunca la máquina desatendida cuando esté en funcionamiento.
- No permita que los vehículos pasen por encima de la manguera de presión.
- No mueva la máquina tirando de la manguera de presión.
- Cuando se dirige hacia los neumáticos, válvulas de los neumáticos u otros componentes presurizados, el chorro de alta presión es potencialmente peligroso. No aplique un chorro y mantenga siempre la boquilla a una distancia de al menos 30 cm durante la limpieza.
- Proteja todos los conductores eléctricos frente a chorros de agua.
- La alta presión puede provocar que las piezas reboten: lleve toda la indumentaria y equipo de protección necesarios para garantizar la seguridad del operario.

- Utilice el equipo de protección personal (EPP) adecuado mientras utiliza el producto, por ejemplo, botas de seguridad, guantes de seguridad, casco de seguridad con visera, protección auditiva, etc.
- Esté alerta frente a culatazos: agarre la pistola firmemente al presionar el activador.
- Cumpla con las normas de la autoridad local de suministro de agua. Según la norma EN 12729 (BA), la máquina se puede conectar directamente a la red principal de suministro de agua potable solo si la manguera de suministro está equipada con un dispositivo antirretorno con posibilidad de drenaje.
- Libere la presión residual antes de desconectar la manguera de la máquina.
- Compruebe antes de cada uso y en intervalos regulares que todos los cierres de metal están apretados y que los componentes de la máquina están en buen estado; inspeccione en busca de piezas rotas o desgastadas.
- **ADVERTENCIA:** Utilice solo detergentes compatibles con el material de revestimiento de la manguera de alta presión u otros materiales de revestimiento.
- La conexión del suministro eléctrico deberá realizarla un electricista cualificado y cumplir la norma IEC 60364-1. Se recomienda que el suministro eléctrico de esta máquina incluya un dispositivo de corriente residual que interrumpa el suministro si la corriente de fuga a tierra supera los 30 mA durante 30 ms o un dispositivo que pruebe el circuito de tierra.
- Si el cable de alimentación está dañado, el fabricante, un técnico de mantenimiento o una persona con una cualificación similar deben sustituirlo para evitar situaciones de peligro.
- **ADVERTENCIA:** Los niños no deben realizar labores de limpieza ni de mantenimiento del aparato.

## **REDUCCIÓN DE RUIDO Y VIBRACIONES**

Para reducir el impacto de las emisiones de ruido y vibración, limite el tiempo de uso de la herramienta, utilice métodos de trabajo que reduzcan las vibraciones y el ruido, y utilice equipos de protección personal.

Tenga en cuenta los puntos siguientes para minimizar los riesgos de exposición al ruido y la vibración:

- a) Utilice la máquina solo conforme a su diseño y estas instrucciones.
- b) Asegúrese de que la máquina se conserva en buen estado y recibe un mantenimiento adecuado.
- c) Utilice los accesorios correctos para la máquina y asegúrese de que se encuentran en buen estado.
- d) Sujete firmemente la pistola con activador con ambas manos.
- e) Realice el mantenimiento de la máquina de acuerdo con estas instrucciones.
- f) Planifique su programa de trabajo para distribuir el uso de cualquier herramienta de alta vibración a lo largo de un periodo prolongado.
- g) El uso prolongado de la máquina expone al usuario a vibraciones que pueden causar diversos trastornos, conocidos colectivamente como síndrome de vibración en mano-brazo (HAVS), por ejemplo, cuando los dedos se ponen blancos, así como enfermedades específicas como el síndrome del túnel carpiano. Para reducir este riesgo al usar la máquina, utilice siempre guantes protectores y mantenga las manos calientes.

## EMERGENCIA

Familiarícese con el uso de esta máquina mediante este manual de instrucciones. Memorice las instrucciones de seguridad y sígalas al pie de la letra. Esto ayudará a evitar riesgos y peligros.

- a) **Manténgase siempre alerta cuando utilice esta máquina, de modo que pueda reconocer y afrontar los riesgos en una fase temprana.** Una intervención rápida puede evitar lesiones y daños materiales graves.
- a) **Apague la máquina y desconéctela de la toma de corriente si hay anomalías.** Solicite a un profesional cualificado que compruebe y, si es necesario, repare la máquina antes de volver a ponerla en funcionamiento.

## RIESGOS RESIDUALES

**Aunque utilice esta máquina cumpliendo todos los requisitos de seguridad, siguen existiendo riesgos potenciales de lesiones y daños. Pueden surgir los riesgos siguientes en relación con la estructura y el diseño de esta máquina:**

- a) Problemas de salud resultantes de la emisión de vibraciones si la máquina se utiliza durante largos periodos de tiempo o no se realiza un mantenimiento adecuado de la misma.
- b) Lesiones personales y daños materiales debido a la rotura de los accesorios o el impacto repentino de objetos ocultos durante el uso.
- c) Peligro de lesiones y daños materiales causados por objetos que salen despedidos.



**ADVERTENCIA** Esta máquina produce un campo electromagnético durante su funcionamiento. En determinadas circunstancias, este campo puede interferir con implantes médicos activos o pasivos. Para reducir el riesgo de lesiones graves o letales, recomendamos que las personas con implantes médicos consulten a su médico y al fabricante de dichos implantes antes de utilizar esta máquina.



## 01 Especificaciones técnicas

	5063022018892	5063022018915
<b>General</b>		
<b>Tensión/frecuencia nominal:</b>	220 – 240 V ~ / 50 Hz	230 V ~ / 50 Hz
<b>Entrada nominal:</b>	3000 W	3000 W
<b>Presión nominal:</b>	12 MPa	12,5 MPa
<b>Presión máxima admisible:</b>	18 MPa	18 MPa
<b>Presión máxima de agua de entrada:</b>	1 MPa	1 MPa
<b>Caudal nominal:</b>	8,33 l/min	8,83 l/min
<b>Caudal nominal máximo:</b>	9,5 l/min	10 l/min
<b>Temperatura nominal:</b>	50 °C	50 °C
<b>Fuerza de rebote de la pistola a presión máxima:</b>	< 21,5 Nm	< 23,3 Nm
<b>Clase de protección:</b>	I / ⊕	I / ⊕
<b>Grado de protección:</b>	IPX5	IPX5
<b>Peso:</b>	25,5 kg	25,5 kg
<b>Dimensiones:</b>	441 x 479 x 864 mm	441 x 479 x 864 mm
<b>Manguera de alta presión</b>		
<b>Presión admisible:</b>	20 MPa	20 MPa
<b>Temperatura máxima:</b>	60 °C	60 °C
<b>Longitud:</b>	10 m	10 m
<b>Manguera de agua (no suministrada)</b>		
<b>Calidad:</b>	Manguera reforzada	Manguera reforzada
<b>Diámetro:</b>	mín. Ø 12,7 mm (½")	mín. Ø 12,7 mm (½")
<b>Longitud:</b>	máx. 10 m	máx. 10 m
<b>Nivel acústico</b>		
<b>Nivel de presión acústica <math>L_{pA}</math></b>	80,7 dB(A)	80,7 dB(A)
<b>Incertidumbre <math>K_{pA}</math></b>	2,50 dB(A)	2,50 dB(A)
<b>Nivel medido de potencia acústica <math>L_{WA}</math></b>	92,2 dB(A)	92,2 dB(A)
<b>Incertidumbre <math>K_{WA}</math></b>	2,50 dB(A)	2,50 dB(A)
<b>Nivel garantizado de potencia acústica <math>L_{WA}</math> (conforme a 2000/14/CE con enmienda de 2005/88/CE)</b>	96 dB(A)	96 dB(A)
<b>Nivel de vibración</b>		
<b>Valor declarado de emisión de vibraciones <math>a_{hd}</math>:</b>	<2,5 m/s <sup>2</sup>	<2,5 m/s <sup>2</sup>
<b>Incertidumbre K:</b>	1,0 m/s <sup>2</sup>	1,0 m/s <sup>2</sup>

Los valores acústicos se han determinado según el código de prueba de ruido indicado en la norma EN 60335-2-79, con las normas básicas ISO 3744 e ISO 11203.

El nivel de intensidad acústica para el operario puede ser superior a 80 dB(A), por lo que es preciso aplicar medidas de protección auditiva.

El valor de vibraciones declarado se ha medido conforme a un método de prueba estándar (según la norma EN 60335-2-79) y se puede utilizar para comparar una máquina con otra. El valor de vibraciones declarado también se puede utilizar en una evaluación preliminar de exposición.






**ADVERTENCIA:** Dependiendo del uso real de la máquina, los valores de vibraciones pueden variar con respecto al valor total declarado. Adopte las medidas adecuadas para protegerse contra la exposición a las vibraciones. Tenga en cuenta todo el proceso de trabajo, incluido el tiempo en el que la máquina funciona sin carga o está apagada. Entre las medidas adecuadas se encuentran el cuidado y mantenimiento regular de la máquina y los accesorios de corte, mantener las manos calientes, realizar pausas periódicas y una planificación adecuada de los procesos de trabajo.

## 02 Símbolos

En la máquina, en la etiqueta de especificaciones y en estas instrucciones encontrará, entre otros, los siguientes símbolos y abreviaturas. Familiarícese con ellos para reducir los riesgos de lesiones personales y daños materiales.

V~	Voltios (tensión alterna)	kg	Kilogramos
Hz	Hercios	dB(A)	Decibelios (ponderación A)
W	Vatios	m/s <sup>2</sup>	Metros por segundo al cuadrado
/min o min <sup>-1</sup>	Por minuto	MPa	Megapascales (unidad de presión)
mm	Milímetros	bar	Unidad de presión
P <sub>nominal</sub>	Presión nominal	Q <sub>nominal</sub>	Caudal nominal
P <sub>máx.</sub>	Presión admisible	Q <sub>máx.</sub>	Caudal máximo
P <sub>EN Máx.</sub>	Presión máxima de agua de entrada		
IPX5	La máquina está protegida contra el agua (que sale de una boquilla) desde todas las direcciones.		
yyWxx	Código de fecha de fabricación: año (20yy) y semana del año (Wxx) de fabricación.		
EBPW3000	EB_Nombre de la marca; PW_Hidrolimpiadora; 3000_Potencia		

## Descripción de las palabras de señalización:

-  **PELIGRO:** Palabra de señalización que indica un peligro con un alto nivel de riesgo que, si no se evita, provocará la muerte o lesiones graves.
-  **ADVERTENCIA** La palabra de señalización que indica un peligro con un nivel de riesgo medio que, si no se evita, puede provocar la muerte o lesiones graves.
-  **PRECAUCIÓN** La palabra de señalización que indica un peligro con un nivel de riesgo bajo que, si no se evita, podría provocar lesiones leves o moderadas.
- NOTA:** Indica un consejo práctico, una recomendación o una práctica no relacionada con lesiones personales.



Bloquear/fijar o asegurar.



Utilice protección auditiva.



Desbloquear/aflojar.



Utilice protección ocular.



Nota/Comentario.



Utilice protección respiratoria.



Precaución/Advertencia.



Utilice guantes protectores.



Lea el manual de instrucciones.



Utilice calzado antideslizante de protección.



Apague la máquina y desconéctela de la fuente de alimentación antes de realizar labores de montaje, limpieza, ajuste, mantenimiento, almacenamiento y transporte.



Asegúrese siempre de que todas las personas y animales se encuentren a una distancia segura de la máquina cuando está en funcionamiento. En general, los niños no deben acercarse a la zona en la que se encuentra la máquina.



No exponga la máquina a la lluvia ni a condiciones de humedad.



Esta máquina no es adecuada para su conexión a la red de agua potable.



No dirija el chorro de agua hacia personas, animales, equipos eléctricos ni a la propia máquina.



Valor garantizado del nivel de potencia acústica en 96 dB.



La máquina cumple las directivas europeas vigentes; se ha sometido a un método de evaluación de la conformidad con estas directivas.



Símbolo RAEE. Los residuos procedentes de máquinas eléctricas no deben desecharse con la basura doméstica. Deben reciclarse donde existan instalaciones destinadas a tal fin. Consulte a la autoridad local o acuda a una tienda cercana para que le informen sobre las opciones de reciclaje.



## Montaje

### 01 Desembalaje

1. Desembale todas las piezas y colóquelas sobre una superficie lisa y estable.
2. Retire todos los materiales de embalaje y dispositivos de envío, si procede.
3. Asegúrese de que el contenido está completo y no ha sufrido daños. Si faltan piezas o estas presentan daños, no utilice la máquina y póngase en contacto con su distribuidor. El uso de una máquina incompleta o dañada puede suponer un peligro de lesiones personales y daños materiales.
4. Asegúrese de que tiene todos los accesorios y herramientas necesarios para el montaje y funcionamiento. Esto también incluye el equipo de protección individual adecuado.



**ADVERTENCIA:** La máquina y el embalaje no son juguetes. Los niños no deben jugar con bolsas de plástico, hojas ni piezas pequeñas. Existe riesgo de atragantamiento y asfixia.

### 02 Montaje



**ADVERTENCIA:** La máquina debe estar totalmente montada antes de ponerla en funcionamiento.



No utilice una máquina que solo esté parcialmente montada o montada con piezas dañadas.

Siga las instrucciones de montaje paso a paso y utilice las imágenes proporcionadas como guía visual para montar la máquina fácilmente.

Desconecte la máquina de la toma de corriente antes del montaje.



**NOTA:** Tenga cuidado con las piezas pequeñas que se retiran durante el montaje o al realizar ajustes. Guárdelas de forma segura para evitar que se pierdan.

## Manguera de alta presión

1. Conecte la manguera de alta presión (13) a la conexión de manguera (17b) de la pistola con activador (17) (Fig. 1, paso 1).
2. Apriete la manguera de alta presión (13) girándola en el sentido de las agujas del reloj para asegurarla en su posición (Fig. 1, paso 2).



**NOTA:** Desconecte la manguera de alta presión (13) de la pistola con activador (17) girándola en sentido antihorario.

## Lanza de prolongación

1. Conecte la lanza de prolongación (16) a la punta de la pistola con activador (17) (Fig. 2, paso 1).
2. Apriete la lanza de prolongación (16) girándola en el sentido de las agujas del reloj para asegurarla en su posición (Fig. 2, paso 2).



**NOTA:** Desconecte la lanza de prolongación (16) de la pistola con activador (17) girándola en sentido antihorario.

## Boquilla 5 en 1

1. Empuje la boquilla 5 en 1 (8) hacia la punta de la lanza de prolongación (16) (Fig. 3).
2. La boquilla 5 en 1 (8) encaja firmemente en su sitio.



**NOTA:** Separe la boquilla 5 en 1 (8) tirando del manguito de la punta de la lanza de prolongación (16) hacia atrás (Fig. 4).

## Boquilla giratoria doble

1. Empuje la boquilla giratoria doble (4) hacia la punta de la lanza de prolongación (16) (Fig. 5).
2. La boquilla giratoria doble (4) encaja firmemente en su sitio.



**NOTA:** Separe la boquilla giratoria doble (4) tirando del manguito de la punta de la lanza de prolongación (16) hacia atrás (Fig. 6).

## Boquilla giratoria simple

1. Empuje la boquilla giratoria simple (23) hacia la punta de la lanza de prolongación (16) (Fig. 7).
2. La boquilla giratoria simple (23) encaja firmemente en su sitio.



**NOTA:** Separe la boquilla giratoria simple (23) tirando del manguito de la punta de la lanza de prolongación (16) hacia atrás (Fig. 8).

## Cañón de espuma



**ADVERTENCIA:** Evite el contacto de la piel con detergentes, en particular con los ojos. Si le entra detergente en los ojos, láveselos con agua limpia y busque atención médica de inmediato.



**NOTA:** Utilice solo detergentes suaves y respetuosos con el medio ambiente. No utilice nunca productos químicos agresivos, detergentes abrasivos o similares para evitar dañar su salud, a la máquina y al medio ambiente.

1. Desenrosque el tapón de la botella de detergente (9d) (Fig. 9, paso 1).
2. Llene la botella de detergente (9d) con el detergente apropiado (Fig. 9, paso 2).
3. Apriete bien el tapón (Fig. 9, paso 3).
4. Conecte el puerto de conexión (9b) del cañón de espuma (9) a la punta de la pistola de gatillo (17) (Fig. 10, paso 1).
5. Apriete el cañón de espuma (9) girándolo en el sentido de las agujas del reloj para asegurarlo en su posición (Fig. 10, paso 2).



**NOTA:** Gire la perilla de ajuste de caudal (9a) para ajustar el caudal de detergente. Durante el funcionamiento, el detergente se mezcla automáticamente con el agua y sale por la boquilla (9c) (Fig. 11).

## Cepillo de patio



**ADVERTENCIA:** El cepillo de patio (18) solo debe utilizarse en superficies planas de patios. No intente utilizarlo en escalones ni verticalmente en paredes. Nunca intente tocar la boquilla giratoria mientras está en funcionamiento (Fig. 12).



**NOTA:** Utilice el cepillo de patio (18) con un movimiento de lado a lado. No lo mueva hacia adelante y hacia atrás para evitar que se vuelque.

1. Conecte la lanza de prolongación (16) a la punta de la pistola con activador (17) (Fig. 12, paso 1).
2. Apriete la lanza de prolongación (16) girándola en el sentido de las agujas del reloj para asegurarla en su posición (Fig. 12, paso 2).
3. Empuje el conector de la lanza de prolongación (18a) del cepillo de patio (18) hacia la punta de la lanza de prolongación (16) (Fig. 12, paso 3).
4. El cepillo de patio (18) encaja firmemente en su sitio.



Uso

## Uso previsto

Esta hidrolimpiadora modelo EBPW3000 tiene una entrada nominal de 3000 vatios.

1. La máquina está destinada a la limpieza de vehículos, edificios, patios, fachadas y equipos de jardinería usando agua limpia y detergentes biodegradables. Asimismo, puede eliminar residuos adheridos, por ejemplo, de losas de pavimento o canales de lluvia.  
Este producto no se debe utilizar para limpiar ropa, zapatillas u otros tejidos. El chorro de agua no se debe dirigir hacia personas, animales, equipos eléctricos ni al propio producto. No enjuague objetos que contengan materiales peligrosos para la salud (por ejemplo, amianto). No utilice el producto con líquidos inflamables, explosivos o tóxicos.
2. Por motivos de seguridad, es fundamental leer el manual de instrucciones completo antes de usar el producto por primera vez, así como seguir todas las indicaciones incluidas en él.
3. Esta máquina está diseñada solamente para uso doméstico privado, no para uso comercial. No se debe utilizar para fines distintos de los indicados en el manual.

## Antes de empezar

### 01 Protección



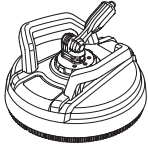



# Funciones de la máquina



**ADVERTENCIA:** No realice ajustes en los accesorios cuando la máquina esté en funcionamiento. Suelte la palanca de activación (17a) antes de ajustar los accesorios.

Piezas		Aplicación
	Boquilla giratoria doble (4)	<ul style="list-style-type: none"> <li>• Para la limpieza a alta presión junto con la lanza de prolongación (16).</li> <li>• Mantenga la boquilla giratoria doble (4) siempre a una distancia de 15-20 cm de la superficie que se está limpiando.</li> <li>• Gire la boquilla giratoria doble (4) para orientar el chorro en abanico según desee (Fig. 13).</li> </ul>
	Boquilla 5 en 1 (8)	<ul style="list-style-type: none"> <li>• Para pulverizar en abanico o con chorro concentrado junto con la lanza de prolongación (16).</li> <li>• Gire la punta de la boquilla 5 en 1 (8) para lograr el patrón de pulverización deseado. El ajuste seleccionado (<b>0/ 15/ 40/ 40+/ 0+</b>) se indica con la flecha marcada en la boquilla (Fig. 14).</li> </ul> <p style="margin-left: 40px;"> <b>0:</b> chorro concentrado a alta presión  <b>15/40:</b> chorro en abanico a alta presión  <b>40+:</b> cortina de agua a baja presión  <b>0+:</b> columna de agua a baja presión         </p>
	Cañón de espuma (9)	<ul style="list-style-type: none"> <li>• Para aplicar detergente a alta presión junto con la pistola con activador (17).</li> <li>• El uso de detergente permite que el agua a alta presión penetre y elimine la suciedad con mayor eficacia.</li> </ul>
	Lanza de prolongación (16)	Para ser utilizado en conjunto con la pistola de disparo (17), boquilla giratoria doble (4), boquilla 5 en 1 (8), boquilla giratoria simple (23) y cepillo de patio (18).

	<p>Cepillo de patio (18)</p>	<ul style="list-style-type: none"> <li>• Para limpiar grandes superficies planas, por ejemplo suelos, caminos de jardín o patios, junto con la lanza de prolongación (16).</li> <li>• Gire la rueda de ajuste de presión (18b) para ajustar la potencia de lavado.</li> <li>&gt; Gire en el sentido de las agujas del reloj al modo <b>SOFT</b> (SUAVE) para una potencia de lavado normal (Fig. 15).</li> <li>&gt; Gire en sentido contrario a las agujas del reloj hasta el modo <b>HARD</b> (DURO) para una mayor potencia de lavado (Fig. 16).</li> </ul>
	<p>Boquilla giratoria simple (23)</p>	<ul style="list-style-type: none"> <li>• Para la limpieza a alta presión junto con la lanza de prolongación (16).</li> <li>• Mantenga la boquilla giratoria simple (23) siempre a una distancia de 15-20 cm de la superficie que se está limpiando.</li> </ul>

## Conexión al suministro de agua



**ADVERTENCIA:** Esta máquina no está diseñada para conectarse a la red de agua potable.

Respete las normas de su compañía de suministro local cuando conecte la máquina a una línea de suministro de agua. Está prohibido conectar esta máquina a la instalación de agua potable sin una válvula antirretorno que se corresponda con la norma EN 12729 Tipo BA o EN 61770. Asegúrese de que la manguera de jardín reforzada (no incluida) conectada al suministro de agua y a la máquina tenga un diámetro mínimo de 12,7 mm (1/2").

1. Conecte el adaptador de la manguera de entrada de agua (19) a la entrada de agua (11) (Fig. 17).
2. Conecte un extremo de una manguera de jardín adecuada (no incluida) al suministro de agua.
3. Conecte el otro extremo de la manguera de jardín al adaptador de la manguera de entrada de agua (19).
4. Abra el suministro de agua.



**NOTA:** El adaptador de la manguera de entrada de agua (19) contiene un filtro de entrada (19b) para proteger la máquina contra partículas de mayor tamaño. No utilice el adaptador de la manguera de entrada de agua (19) sin el filtro de entrada (19b).

## Conexión a una toma de corriente



**ADVERTENCIA:** Compruebe la tensión. La tensión debe ser conforme con la información que figura en la etiqueta de valores nominales. Si utiliza un alargador, debe ser apto para su uso en el exterior y contar con tomas de corriente protegidas frente a salpicaduras de agua. Asegúrese de que el alargador es del tipo y tamaño adecuados para la máquina ( $\geq 1,5 \text{ mm}^2$ ).

**ADVERTENCIA:** La conexión del suministro eléctrico deberá realizarla un electricista cualificado y cumplir la norma IEC 60364-1. Se recomienda que el suministro eléctrico de esta máquina incluya un dispositivo de corriente residual que interrumpa el suministro si la corriente de fuga a tierra supera los 30 mA durante 30 ms o un dispositivo que pruebe el circuito de tierra.

1. Ponga el interruptor de encendido/apagado (12) en la posición **O** (Fig. 18).
2. Desenrolle completamente el cable de alimentación (6).
3. Conecte el enchufe (6) a una toma eléctrica adecuada.

## Uso del enrollador de manguera



**ADVERTENCIA:** Descargue siempre la presión residual de la manguera de alta presión (13) presionando repetidamente la palanca de activación (17a) de la pistola con activador (17) antes de usar la máquina.

### 01 Desenrollado de la manguera de alta presión



**ADVERTENCIA:** Desenrolle y saque siempre la manguera de alta presión (13) completamente del enrollador de manguera (14) para utilizarla.

1. Tire ligeramente de la manivela (15) para sacarla del enrollador de manguera (14) (Fig. 19, paso 1).
2. Despliegue la manivela (15) para permitir su giro (Fig. 19, paso 2).
3. Gire la manivela (15) en el sentido contrario a las agujas del reloj para desenrollar la manguera de alta presión (13) o tire de la manguera de alta presión (13) para sacarla del enrollador de manguera (14) y ponerla en funcionamiento.

## 02 Enrollado de la manguera de alta presión



**ADVERTENCIA:** Libere la presión de la manguera de alta presión (13) antes de enrollarla:

1. Ponga el interruptor de encendido/apagado (12) en la posición **O** (Fig. 18).
2. Presione repetidamente la palanca de activación (17a) de la pistola con activador (17) para liberar la presión residual de la manguera de alta presión (14).

1. Después del uso, gire la manivela (15) en el sentido de las agujas del reloj para enrollar la manguera de alta presión (13) (Fig. 20, paso 1).
2. Alinee las lengüetas de la manivela (15) con las ranuras en la carcasa. Empuje ligeramente la manivela (15) hacia dentro para bloquearla en su sitio (Fig. 20, paso 2).
3. Pliegue la manivela (15).

## 03 Uso del asa de transporte

1. Pulse el botón de bloqueo (3) para desbloquear el asa de transporte (1) (Fig. 21, paso 1).
2. Levante el asa de transporte (1) hasta la posición de altura deseada (alta/baja) (Fig. 21, paso 2).
3. El asa de transporte (1) encaja en su sitio y el botón de bloqueo (3) se eleva a su posición original (Fig. 21, paso 3).

# Funcionamiento



**ADVERTENCIA:** No utilice la máquina con un grifo de agua cerrado. Esto derivará en un funcionamiento en seco, lo que dañará la máquina.

Al apretar la palanca de activación (17a) se producen fuerzas de rebote. Por eso, sostenga siempre la pistola con activador (17) con ambas manos.

Preste atención para adoptar una postura de seguridad. La manipulación inadecuada puede provocar lesiones.



**ADVERTENCIA:** No utilice la máquina si la temperatura ambiente es inferior a 0 °C, ya que el agua se congelará en su interior y la dañará.



**NOTA:** La válvula de seguridad es una válvula limitadora de presión. Cuando se suelta la palanca de activación (17a), la válvula se abre y descarga la presión dentro de la bomba.

**NOTA:** El dispositivo automático de arranque y parada del motor se acciona mediante la palanca de activación (17a) de la pistola con activador (17). Cuando se suelta la palanca de activación (17a), la presión dinámica detiene automáticamente el motor. Cuando se presiona la palanca de activación (17a), la caída automática de presión arranca el motor y la presión se restablece tras un ligero retardo.

- Antes de cada uso, compruebe que la máquina, el cable de alimentación con enchufe (6) y los accesorios no estén dañados. No utilice la máquina si está dañada o desgastada.
- Asegúrese de que los accesorios y las fijaciones estén bien instalados.
- Sujete siempre la pistola con activador (17) con las dos manos.
- Asegúrese siempre de que las rejillas de salida del aire no estén obstruidas. Si es necesario, límpielas con un cepillo suave. Si las rejillas de salida del aire están obstruidas, la máquina puede sobrecalentarse y dañarse.
- Apague la máquina inmediatamente si otras personas acceden a la zona en la que la está utilizando. Espere siempre a que la máquina se detenga completamente antes de soltarla.
- No realice un esfuerzo excesivo. Tómese descansos regulares para garantizar que puede concentrarse en el trabajo y controlar completamente la máquina.

## 01 Arranque



**ADVERTENCIA:** Tenga cuidado con los culatazos cuando apriete el gatillo.



**NOTA:** La pistola con activador (17) está equipada con una palanca de bloqueo del gatillo (17d) (Fig. 23) para evitar la activación accidental de la palanca de activación (17a). Gire la palanca de bloqueo del gatillo (17d) hacia arriba antes de poder apretar la palanca de activación (17a).



**NOTA:** Mantenga siempre una distancia razonable entre la boquilla y el objeto que se va a limpiar con el fin de evitar daños. Pregunte a su distribuidor especializado para obtener asesoramiento si fuera necesario.

1. Conecte la máquina a un suministro de agua adecuado, tal y como se describe.
2. Conecte la máquina a una toma de corriente adecuada, tal y como se describe.
3. Abra completamente el grifo de agua.

4. Sosteniendo la pistola con activador (17) con las dos manos, dirija la boquilla apartándola de usted hacia la superficie que se va a limpiar (Fig. 22).
5. Apriete la palanca de activación (17a) (Fig. 23) hasta que salga agua por la salida de agua (21) sin burbujas de aire.
6. Ponga el interruptor de encendido/apagado (12) en la posición **I** (Fig. 18).
7. Cambie el modo de funcionamiento girando la perilla de ajuste de presión (17c) de la pistola con activador (17) (Fig. 24).
  - > Gire la perilla de ajuste de presión (17c) en el sentido de las agujas del reloj para el funcionamiento en modo **SOFT** (SUAVE).
  - > Gire la perilla de ajuste de presión (17c) en sentido contrario a las agujas del reloj para el funcionamiento en modo **HARD** (DURO).

## 02 Después del uso

1. Suelte la palanca de activación (17a) (Fig. 25, paso 1).
2. Ponga el interruptor de encendido/apagado (12) en la posición **O** (Fig. 25, paso 2).
3. Cierre el suministro de agua (Fig. 25, paso 3).
4. Apriete la palanca de activación (17a) para permitir que salga toda el agua de la máquina y liberar la presión aún presente en el producto (Fig. 25, paso 4). Gire la palanca de bloqueo del gatillo (17d) hacia abajo sobre la palanca de activación (17a).



**ADVERTENCIA:** Desconecte la manguera de alta presión (13) de la pistola con activador (17) y la manguera de jardín de la entrada de agua (11) solo cuando ya no haya presión en el sistema. Asegúrese de que la máquina esté apagada y desenchufada.



**NOTA:** La pistola con activador (17) está equipada con una palanca de bloqueo del gatillo (17d) (Fig. 23) para evitar la activación accidental de la palanca de activación (17a). Después de utilizarla, baje la palanca de bloqueo del gatillo (17d) hacia abajo sobre la palanca de activación (17a).

5. Desconecte el enchufe (6) de la toma eléctrica.
6. Desconecte la manguera de jardín del suministro de agua y, a continuación, del adaptador de la manguera de entrada de agua (19).
7. Desconecte la manguera de alta presión (13) de la pistola con activador (17).
8. Enrolle la manguera de presión (13) en el enrollador de manguera (14). No doble ni retuerza la manguera de alta presión (13).
9. Desmonte los accesorios siguiendo la secuencia inversa de las instrucciones de montaje.

# Consejos de lavado

## 01 General

- Disuelva la suciedad aplicando detergente mezclado con agua mientras la superficie sigue seca. Deje que el detergente actúe sobre la superficie durante unos minutos, pero no deje que se seque.
- Cuando trabaje con superficies verticales, hágalo de abajo hacia arriba. Utilice un chorro de alta presión a una distancia mínima de 30 cm en un ángulo de 45° desde abajo hacia arriba, y después aclare desde arriba hacia abajo.
- Para la suciedad persistente, se aconseja frotarla con un cepillo antes del lavado a presión. Evite dirigir el chorro con el ajuste máximo sobre piezas delicadas o pintadas, o sobre componentes presurizados (por ejemplo, neumáticos, válvulas de inflado, etc.).
- Un lavado eficaz depende tanto de la presión como del volumen de agua utilizados.

## 02 Cubiertas de madera y vinilo (MODO SOFT)



**PRECAUCIÓN:** Aumente la distancia respecto al área de limpieza para maderas más blandas.

- Reduzca el área de trabajo a secciones más pequeñas y lave cada sección de una en una para obtener resultados óptimos.
- Aclare a alta presión mediante un chorro en abanico, manteniendo la boquilla al menos a 15-25 cm de la superficie de limpieza.
- Mantenga una mayor distancia respecto al área de limpieza cuando utilice un chorro concentrado.

## 03 Patios de cemento, piedra y ladrillo (MODO HARD)

- Aclare a alta presión mediante un chorro en abanico con un movimiento de barrido y manteniendo la boquilla al menos a 7-15 cm respecto a la superficie de limpieza.
- Mantenga una mayor distancia respecto al área de limpieza cuando utilice un chorro concentrado.

## 04 Coches, barcos y motocicletas (MODO SOFT)



**ADVERTENCIA:** No limpie el motor con esta máquina.

- Limpie cada lado para conseguir los mejores resultados.
- Aclare a alta presión mediante un chorro en abanico con un movimiento de barrido y manteniendo la boquilla al menos a 20 cm respecto a la superficie de limpieza. No utilice un chorro concentrado en componentes pintados de un vehículo o embarcación.
- Seque la superficie para un acabado pulido.



+



Cuidado y mantenimiento

## 01 Reglas de oro para el cuidado del producto



**ADVERTENCIA:** Apriete siempre la palanca de activación (17a) para liberar la presión residual de la manguera de alta presión (13) antes de limpiarla, guardarla o realizar tareas de mantenimiento.



Antes de llevar a cabo tareas de inspección, mantenimiento y limpieza, apague siempre la máquina, desconéctela de la fuente de alimentación y deje que se enfríe.

1. Mantenga la máquina limpia. Retire la suciedad después de cada uso y antes del almacenamiento.
2. Una limpieza regular y adecuada ayuda a garantizar un funcionamiento seguro y prolonga la vida útil de la máquina.
3. Inspeccione la máquina antes de cada uso por si hubiera piezas dañadas o desgastadas. No lo utilice si hay piezas rotas o desgastadas.



**ADVERTENCIA:** Realice solamente las labores de reparación y mantenimiento indicadas en estas instrucciones. Cualquier otro trabajo deberá realizarlo un especialista cualificado.

## 02 Limpieza



**NOTA:** No utilice productos químicos, abrasivos o alcalinos, u otros detergentes o desinfectantes agresivos para limpiar esta máquina, ya que podrían dañar sus superficies.

### Mecanizado

1. Limpie la máquina con una bayeta ligeramente húmeda y jabón suave. Utilice un cepillo para las áreas de difícil acceso.
2. En particular, limpie las rejillas de salida del aire después de cada uso con una bayeta y un cepillo.
3. Retire la suciedad resistente con aire a alta presión (máx. 3 bares).



## Accesorios

1. Limpie los accesorios con una bayeta ligeramente húmeda y jabón suave. Utilice un cepillo para las áreas de difícil acceso.
2. Desatasque la boquilla giratoria doble (4), boquilla giratoria simple (23) o la boquilla 5 en 1 (8) con la aguja de limpieza (20) (Fig. 26). Para ello, inserte la aguja de limpieza en la abertura de la boquilla y muévase hacia adelante y hacia atrás.
3. Desmonte el adaptador de la manguera de entrada de agua (19) (Fig. 27). Enjuague las piezas con agua limpia (Fig. 28).
4. Drene y limpie el cañón de espuma (9) al final de la sesión de trabajo. Lave la botella de detergente (9d).

### 03 Descalcificación

De vez en cuando, según la naturaleza de su agua de grifo, se forman sedimentos de calcio en la máquina y los accesorios. El tamaño de los sedimentos (y por consiguiente, la frecuencia de la descalcificación) depende del grado de dureza del agua y de con qué frecuencia se utiliza la máquina. Compruebe la dureza del agua en su zona preguntado a su empresa de suministro.



**NOTA:** Utilice una mezcla de agua y ácido cítrico o vinagre para la descalcificación. Estas sustancias son fácilmente biodegradables y respetuosas con el medio ambiente.

1. Haga una mezcla de una parte de vinagre y dos partes de agua caliente ( $\leq 50\text{ }^{\circ}\text{C}$ ) en un recipiente adecuado, por ejemplo, en un cuenco.
2. Coloque los accesorios desmontables en la mezcla.
3. Deje los accesorios en la mezcla durante aproximadamente 12 horas.
4. Enjuague los accesorios con agua limpia.

### 04 Mantenimiento

Antes y después de cada uso, revise la máquina y los accesorios para detectar cualquier indicio de desgaste y daños. Si es necesario, cámbielos por otros nuevos como se describe en este manual de instrucciones. Respete los requisitos técnicos.

## 05 Piezas de repuesto/piezas de recambio

Las piezas de esta máquina mencionadas en la tabla de mantenimiento las puede sustituir el consumidor. Puede obtener piezas de repuesto en un distribuidor autorizado o a través de nuestro servicio de atención al cliente.

Pistola con activador	Lanza de prolongación
Boquilla giratoria doble	Boquilla 5 en 1
Cañón de espuma	Cepillo de patio
Boquilla giratoria simple	

## 06 Reparación

Esta máquina no contiene piezas que pueda reparar el consumidor. Póngase en contacto con un centro de servicio autorizado o un especialista cualificado para que la revise y repare.

## 07 Transporte

1. Apague la máquina y desconéctela de la toma de corriente.
2. Desconecte la máquina del suministro de agua.
3. Desplace la máquina utilizando las ruedas (10) y el asa de transporte (1).
4. Guarde la máquina y sus accesorios en un lugar seco y protegido de las heladas.
5. Proteja la máquina frente a impactos o vibraciones fuertes que puedan producirse durante su transporte en vehículos.
6. Sujete bien la máquina para evitar que se deslice o se caiga.

## 08 Almacenamiento



**NOTA:** Para que la máquina permanezca siempre en un estado óptimo, es fundamental garantizar unas excelentes condiciones de almacenamiento.

1. Apague la máquina y desconéctela de la toma de corriente.
2. Desconecte la máquina del suministro de agua.
3. Limpie la máquina de la forma descrita anteriormente.
4. Drene el agua restante y lave la botella de detergente (9d) al final de la sesión de trabajo.
5. Guarde las piezas en los soportes (2, 5, 22) o en la cámara de accesorios (7) (Fig. 29, 30).
6. Guarde la máquina y sus accesorios en un lugar seco y protegido de las heladas.
7. Almacene siempre la máquina en un lugar inaccesible para los niños. La temperatura de almacenamiento ideal es de entre 10 °C y 30 °C.
8. Se recomienda utilizar el embalaje original para el almacenamiento o cubrir la máquina con una tela o envoltorio adecuados para protegerla del polvo.

## 09 Resolución de problemas

A menudo, las posibles averías las pueden solucionar los propios usuarios. Por lo tanto, verifique la máquina mediante esta sección. En la mayoría de los casos, el problema se puede resolver rápidamente.



**ADVERTENCIA:** Realice únicamente los pasos descritos en estas instrucciones. Cualquier otra labor de inspección, mantenimiento o reparación debe realizarla un centro de servicio autorizado o un especialista cualificado si usted no puede resolver el problema.

<b>Problema</b>	<b>Posible causa</b>	<b>Solución</b>
1. La máquina no arranca.	1.1 No está conectada a la fuente de alimentación 1.2 El cable de alimentación o el enchufe están defectuosos 1.3 La máquina tiene un defecto eléctrico de otro tipo. 1.4 La palanca de bloqueo del gatillo se ha girado hacia arriba. 1.5 Boquilla obstruida. 1.6 Motor sobrecalentado.	1.1 Conéctela a una toma de corriente adecuada. 1.2 Póngase en contacto con el centro de servicio autorizado más cercano. 1.3 Póngase en contacto con el centro de servicio autorizado más cercano. 1.4 Baje la palanca de bloqueo del gatillo. 1.5 Desatasque la boquilla con la aguja de limpieza. 1.6 Apague y desenchufe la máquina. Deje que se enfríe durante 10 minutos y vuelva a ponerla en funcionamiento.
2. La máquina no alcanza la máxima potencia.	2.1 El cable alargador no es adecuado para el funcionamiento con esta máquina. 2.2 La fuente de alimentación (p. ej. generador) ofrece una tensión muy baja. 2.3 Las rejillas de salida del aire están obstruidas. 2.4. El volumen de entrada de agua es demasiado bajo. 2.5 La manguera de alta presión tiene fugas. 2.6 La manguera de jardín tiene fugas. 2.7 El filtro de entrada está muy sucio. 2.8 El sistema ha aspirado aire. 2.9 Juntas desgastadas.	2.1 Utilice un alargador adecuado. 2.2 La fuente de alimentación (p. ej. generador) ofrece una tensión muy baja. 2.3 Limpie las rejillas de ventilación 2.4 Abra completamente el suministro de agua. 2.5 Sustitúyala por una manguera de alta presión nueva. 2.6 Sustitúyala por una manguera de jardín nueva. 2.7 Limpie el filtro de entrada. 2.8 Compruebe el apriete de los racores de la manguera. 2.9 Póngase en contacto con el centro de servicio autorizado más cercano.

<b>Problema</b>	<b>Posible causa</b>	<b>Solución</b>
3. Fugas de agua de la conexión/ de la máquina.	<p>3.1 La manguera de alta presión tiene fugas.</p> <p>3.2 La manguera de jardín tiene fugas.</p> <p>3.3 La junta tórica del adaptador de la manguera de entrada de agua está rota.</p> <p>3.4 Juntas desgastadas.</p>	<p>3.1 Sustitúyala por una manguera de alta presión nueva.</p> <p>3.2 Sustitúyala por una manguera de jardín nueva.</p> <p>3.3 Sustituya el adaptador de la manguera de entrada de agua por uno nuevo.</p> <p>3.4 Póngase en contacto con el centro de servicio autorizado más cercano.</p>
4. Fuertes fluctuaciones de presión.	<p>4.1 Boquilla obstruida.</p> <p>4.2 El volumen de entrada de agua es demasiado bajo.</p> <p>4.3 La manguera de alta presión tiene fugas.</p> <p>4.4 La manguera de jardín tiene fugas.</p> <p>4.5 El filtro de entrada está muy sucio.</p> <p>4.6 El sistema ha aspirado aire.</p> <p>4.7 Juntas desgastadas.</p>	<p>4.1 Desatasque la boquilla con la aguja de limpieza.</p> <p>4.2 Abra completamente el suministro de agua.</p> <p>4.3 Sustitúyala por una manguera de alta presión nueva.</p> <p>4.4 Sustitúyala por una manguera de jardín nueva.</p> <p>4.5 Limpie el filtro de entrada.</p> <p>4.6 Compruebe el apriete de los racores de la manguera.</p> <p>4.7 Póngase en contacto con el centro de servicio autorizado más cercano.</p>
5. Vibraciones o ruidos excesivos	<p>5.1 Tornillos y tuercas aflojados.</p> <p>5.2 Motor dañado.</p> <p>5.3 El volumen de entrada de agua es demasiado bajo.</p>	<p>5.1 Compruebe el apriete de los elementos de fijación. Vuelva a apretarlos si es necesario.</p> <p>5.2 Póngase en contacto con el centro de servicio autorizado más cercano.</p> <p>5.3 Abra completamente el suministro de agua.</p>

<b>Problema</b>	<b>Posible causa</b>	<b>Solución</b>
6. No se toma detergente.	6.1 Detergente demasiado denso.	6.1 Diluya con agua.
	6.2 Depósitos u obstrucción en el circuito del detergente.	6.2 Enjuague con agua limpia y elimine cualquier obstrucción. Si el problema persiste, póngase en contacto con un centro de servicio autorizado.
7. No hay chorro de agua	7.1 No hay suministro de agua.	7.1 Compruebe el suministro de agua.
	7.2 El filtro de entrada está muy sucio.	7.2 Limpie el filtro de entrada.
	7.3 Mangueras obstruidas.	7.3 Limpie las mangueras.
	7.4 Boquilla obstruida.	7.4 Desatasque la boquilla con la aguja de limpieza.

## Reciclaje y eliminación



Los residuos procedentes de equipos eléctricos y electrónicos no deben desecharse con la basura doméstica. Deben reciclarse donde existan instalaciones destinadas a tal fin.

Consulte a la autoridad local o acuda a una tienda cercana para que le informen sobre las opciones de reciclaje.

La máquina se suministra en un embalaje que la protege frente a daños durante el transporte. Conserve el embalaje hasta que esté seguro de que todas las piezas se han entregado y de que la máquina funciona correctamente. A continuación, recicle el embalaje.



## Garantía

Nos ocupamos especialmente en seleccionar materiales de alta calidad y usar técnicas de fabricación que nos permitan crear productos que aporten diseño y durabilidad. Este producto tiene una garantía del fabricante de 3 años frente a defectos de fabricación, a partir de la fecha de adquisición (si se adquiere en una tienda) o de entrega (si se adquiere por Internet), sin coste adicional para uso normal doméstico (ni profesional ni comercial).

Para presentar una reclamación en el marco de esta garantía, deberá presentar el comprobante de compra (como un recibo, factura de compra u otras pruebas admisibles en virtud de la ley aplicable); conserve su comprobante de compra en un lugar seguro. Para poder acogerse a esta garantía, el producto adquirido deberá ser nuevo; la garantía no se aplicará a productos de segunda mano o productos de exposición. A menos que la legislación vigente indique lo contrario, todo producto de sustitución entregado conforme a esta garantía estará cubierto solo hasta la fecha de vencimiento de la garantía original.

La presente garantía cubre los fallos y anomalías del producto siempre y cuando este se haya utilizado para los fines para los que está destinado y que su instalación, limpieza, cuidado y mantenimiento se hayan efectuado de conformidad tanto con la información descrita en estos términos y condiciones y en el manual del usuario, como con la práctica habitual, siempre y cuando esta no entre en conflicto con el contenido del manual de usuario.

Esta garantía no cubre defectos ni daños causados por el desgaste normal, ni daños que pudiesen ser resultado de usos indebidos, instalaciones o montajes deficientes, negligencia, accidente, uso indebido o modificación del producto. A menos que se indique lo contrario en la ley aplicable, esta garantía no cubre, bajo ningún concepto, los gastos accesorios (transporte, movimiento, costes de desinstalación y reinstalación, mano de obra, etc.) ni los daños directos o indirectos.

Si el producto es defectuoso, procederemos, en un plazo razonable, a su sustitución.

Los derechos en virtud de esta garantía tendrán vigencia en el país donde haya adquirido el producto. Las consultas relacionadas con la garantía deberán dirigirse a la tienda en la que adquirió el producto. La garantía es complementaria y no afecta a sus derechos legales.

Si adquirió este producto en España, el distribuidor será responsable de las faltas de conformidad del producto según las disposiciones establecidas en los artículos 114 a 124 del Real Decreto Legislativo 1/2007, con fecha del 16 de noviembre, por el que se aprueba el texto refundido de la Ley General para la Defensa de los Consumidores y Usuarios y otras leyes complementarias.



## Declaration of conformity



(EN) EU DECLARATION OF CONFORMITY  
(FR) DÉCLARATION UE DE CONFORMITÉ  
(PL) DEKLARACJA ZGODNOŚCI UE  
(RO) DECLARAȚIA DE CONFORMITATE UE  
(ES) DECLARACIÓN UE DE CONFORMIDAD  
(PT) DECLARAÇÃO DE CONFORMIDADE UE

Product/ Produit/ Produkt/Produsul/Producto/Producto

- > Product name – High Pressure Washer/ Nettoyeur haute pression/ Myjka ciśnieniowa/ Aparat de spălat cu înaltă presiune/ Hochdruckreiniger/ Hidrolimpiadora de alta presión/ Lavadora a alta pressão
- > Product model – EBPW3000
- > Type / batch or serial number range 000001 to 999999

Name and address of the manufacturer or his authorised representative:  
Nom et adresse du fabricant ou de son mandataire:  
Nazwa i adres producenta lub jego upoważnionego przedstawiciela:  
Denumirea și adresa producătorului sau a reprezentantului său autorizat:  
Nombre y dirección del fabricante o de su representante autorizado:  
Nome e endereço do fabricante ou do respetivo mandatário:

Kingfisher International Products B.V.,  
Rapenburgerstraat 175E,  
1011 VM Amsterdam,  
The Netherlands

This declaration of conformity is issued under the sole responsibility of the manufacturer.  
La présente déclaration de conformité est établie sous la seule responsabilité du fabricant.  
Niniejsza deklaracja zgodności wydana zostaje na wyłączną odpowiedzialność producenta.  
Prezenta declarație de conformitate este emisă pe răspunderea exclusivă a producătorului.  
La presente declaración de conformidad se expide bajo la exclusiva responsabilidad del fabricante.  
A presente declaração de conformidade é emitida sob a exclusiva responsabilidade do fabricante.

Object of the declaration/Objet de la declaration/Przedmiot deklaracji/Obiectul declarației/Objeto de la declaración/Objeto da declaração

Product/Produit/Produkt/ Produsul/Producto/ Produto	Model/Modèle/Model/Modelul/ Modelo/ Modelo	EAN
High Pressure Washer/ Nettoyeur haute pression/ Myjka ciśnieniowa/ Aparat de spălat cu înaltă presiune/ Hochdruckreiniger/ Hidrolimpiadora de alta presión/ Lavadora a alta pressão	EBPW3000	EU : 5063022018915 UK : 5063022018892



The object of the declaration described above is in conformity with the relevant Union harmonisation legislation:

L'objet de la déclaration décrit ci-dessus est conforme à la législation d'harmonisation de l'Union applicable:

Wymieniony powyżej przedmiot niniejszej deklaracji jest zgodny z odnośnymi wymaganiami unijnego prawodawstwa harmonizacyjnego:

Obiectul declarației descris mai sus este în conformitate cu legislația relevantă de armonizare a Uniunii:

El objeto de la declaración descrita anteriormente es conforme con la legislación de armonización pertinente de la Unión:

O objeto da declaração acima descrito está em conformidade com a legislação de harmonização da União aplicável:

2006/42/EC as amended	Machinery Directive
2014/30/EU as amended	Directive Electromagnetic compatibility
2000/14/EC as amended	Outdoor Noise Directive
2011/65/EU as amended	Directive Restriction of the use of certain hazardous substances in electrical and electronic equipment
Directive 2006/42/CE relative aux machines	
2014/30 / UE telle que modifiée Directive Compatibilité électromagnétique	
Directive 2000/14/CE relative aux émissions sonores extérieures	
Directive 2011/65/UE relative à la limitation de l'utilisation de certaines substances dangereuses dans les équipements électriques et électroniques	
2006/42/WE w zmienionej dyrektywie maszynowej	
2014/30 / UE ze zmianami Dyrektywa Kompatybilność elektromagnetyczna	
2000/14/WE w zmienionej dyrektywie w sprawie hałasu na zewnątrz	
2011/65 / UE ze zmianami Dyrektywa Ograniczenie stosowania niektórych niebezpiecznych substancji w sprzęcie elektrycznym i elektronicznym	
2006/42/CE, astfel a fost modificată Directiva privind echipamentele	
2014/30/UE, astfel a fost modificată Directiva privind compatibilitatea electromagnetică	
2000/14/CE, astfel a fost modificată Directiva privind zgomotul în aer liber	
2011/65/UE, astfel a fost modificată Directiva privind limitarea utilizării anumitor substanțe periculoase în echipamentele electrice și electronice	
Directiva sobre maquinaria modificada 2006/42/CE	
2014/30/UE modificada Directiva Compatibilidad electromagnética	
2000/14/CE modificada Directiva sobre ruido al aire libre	
2011/65/UE modificada Directiva Restricción del uso de determinadas sustancias peligrosas en equipos eléctricos y electrónicos	
2006/42/CE como diretiva de máquinas alteradas	
2014/30/UE como alteração da compatibilidade eletromagnética	
2000/14/CE como diretiva de ruído exterior alterada	
2011/65/UE como restrição diretiva alterada da utilização de certas substâncias perigosas em equipamentos elétricos e eletrônicos	

**Measured Sound Power Level**  
**Le niveau de puissance acoustique mesuré**  
**Zmierzony poziom mocy akustycznej**  
**Nivel de putere acustică măsurat**  
**Nível de potencia sonora medido**  
**Nível de potência sonora medido**  
**: 93 dB(A)**

**Guaranteed Sound Power Level**  
**Le niveau de puissance acoustique garant**  
**Gwarantowany poziom mocy akustycznej**  
**Nivel de putere acustică garantat**  
**Nível de potencia sonora garantizado**  
**Nível de potência sonora garantido**  
**: 96 dB(A)**

References to the relevant harmonised standards used or references to the other technical specifications in relation to which conformity is declared:

Références des normes harmonisées pertinentes appliquées, y compris la date de celles-ci, ou des autres spécifications techniques, y compris la date de celles-ci, par rapport auxquelles la conformité est déclarée:

Odwolania do odnośnych norm zharmonizowanych, które zastosowano, wraz z datą normy, lub do innych specyfikacji technicznych, wraz z datą specyfikacji, w odniesieniu do których deklarowana jest zgodność:

Trimiteri la standardele armonizate relevante folosite, inclusiv data standardului, sau trimeri la celelalte specificații tehnice, inclusiv data specificațiilor, în legătură cu care se declară conformitatea:

Referencias a las normas armonizadas pertinentes utilizadas, incluidas las fechas de las normas, o referencias a las otras especificaciones técnicas, incluidas las fechas de las especificaciones, respecto a las cuales se declara la conformidad:

Referências às normas harmonizadas aplicáveis utilizadas, incluindo a data da norma, ou às outras especificações técnicas, incluindo a data da especificação, em relação às quais é declarada a conformidade:

EN 60335-1:2012/A15:2021

EN 60335-2-79: 2012

EN 62233:2008

EN 55014-1:2017/A11:2020

EN 55014-2:1997/A2:2008

EN 61000-3-2:2014

EN 61000-3-3:2013

EN IEC 55014-1:2021

EN IEC 55014-2:2021

EN IEC 61000-3-2:2019/A1:2021

EN IEC 61000-3-11:2019

EN ISO 3744:1995

Authorised signatory and technical file holder/signataire et responsable de la documentation technique  
autorisé/ podmiot uprawniony do wystawienia i adres prezechowywania dokumentacji technicznej/  
semnatar autorizat și deținător al dosarului tehnic/firmante autorizado y titular del expediente tecnico/  
signatário autorizado e detentor da ficha técnica

Kingfisher International Products B.V.,  
Rapenburgerstraat 175E,  
1011 VM Amsterdam,  
The Netherlands



David Awe  
Group Quality Director

[30/10/2022]

# Erbauer®


**Manufacturer, Fabricant, Prodecent,  
Producător, Fabricante:**

**UK Manufacturer:**

Kingfisher International Products Limited  
1 Paddington Square, London, W2 1GG,  
United Kingdom

**EU Manufacturer:**

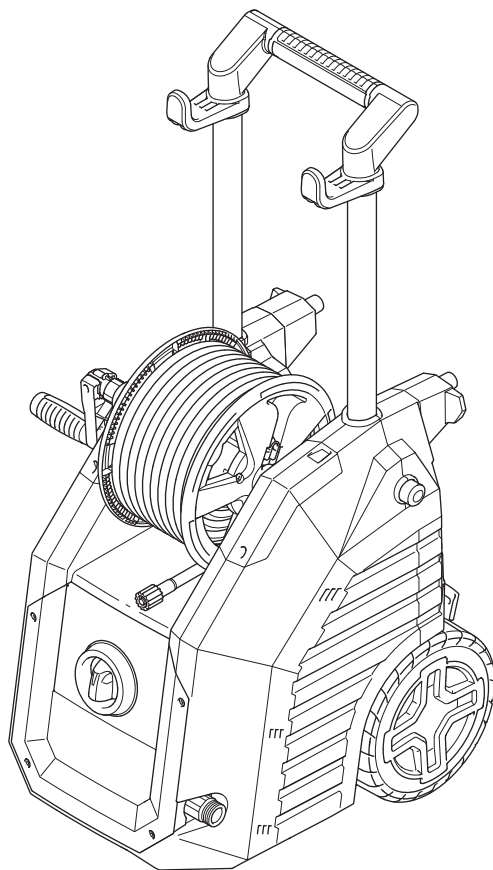
Kingfisher International Products B.V.  
Rapenburgerstraat 175E 1011 VM Amsterdam  
The Netherlands

 [www.bricodepot.es](http://www.bricodepot.es)

Para consultar los manuales de instrucciones  
en línea, visite [www.kingfisher.com/products](http://www.kingfisher.com/products)



**Erbauer®**



# EBPW3000

**EAN: 5063022018915, 5063022018892**  
**INSTRUÇÕES ORIGINAIS**



V10424\_5063022018915\_MAND2\_2324



Descrição da máquina

4



Instruções de segurança

10



Montagem

20



Utilização

23



+



Cuidados e manutenção

31



Garantia

37



Declaração de conformidade

39



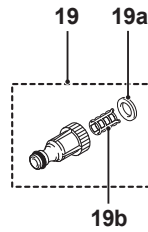
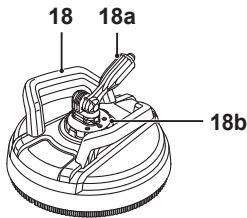
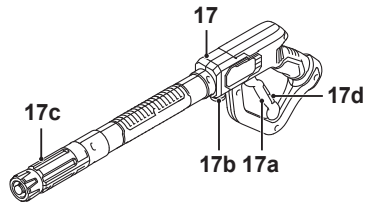
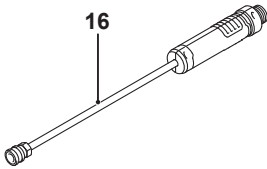
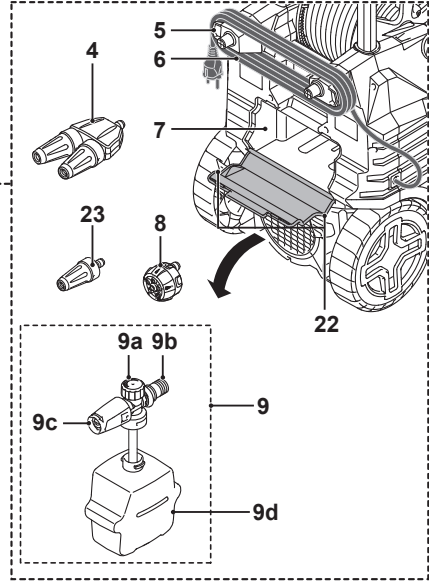
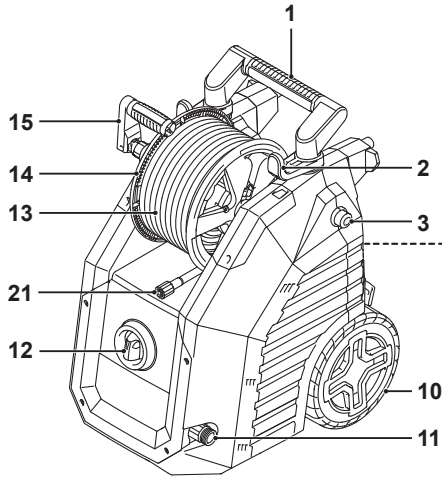
**AVISO!** Leia atentamente todos os avisos de segurança e certifique-se de que os compreende totalmente antes de manusear a máquina.

## DESCRIÇÃO DA MÁQUINA

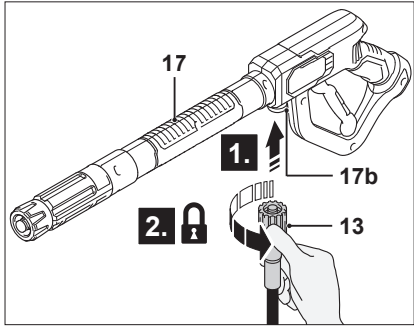
1. Pega de transporte
2. Suporte da pistola de ativação
3. Botão de bloqueio
4. Bocal rotativo duplo
5. Suporte do cabo de alimentação (x2)
6. Cabo de alimentação com ficha de alimentação
7. Câmara de acessórios
8. Bocal 5 em 1
9. Canhão de espuma
  - a. Botão de ajuste de fluxo
  - b. Porta de ligação
  - c. Bocal
  - d. Garrafa de detergente
10. Roda (x2)
11. Entrada de água
12. Interruptor de ligar/desligar (O/ I)
13. Mangueira de alta pressão
14. Porta mangueira
15. Manivela
16. Lança de extensão
17. Pistola de ativação
  - a. Alavanca de ativação
  - b. Ligação da mangueira
  - c. Botão de ajuste de pressão
  - d. Bloqueio da alavanca de ativação
18. Escova para pátio
  - a. Conetor da lança de extensão
  - b. Disco de ajuste de pressão
19. Adaptador da mangueira de entrada de água
  - a. Junta
  - b. Filtro de entrada
20. Agulha de limpeza
21. Saída de água
22. Suporte para acessórios (x2)
23. Bocal rotativo único



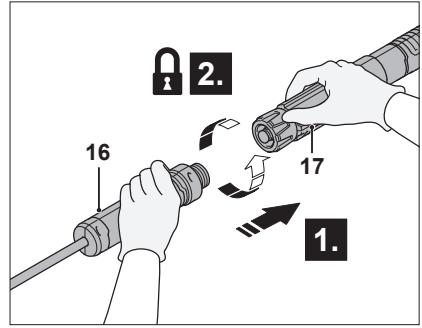
# Descrição da máquina



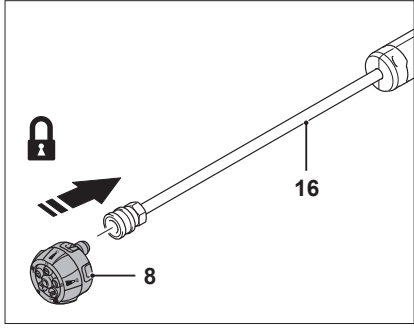
1



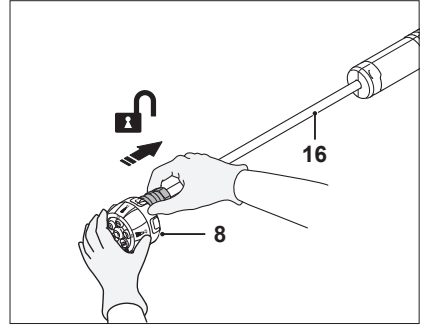
2



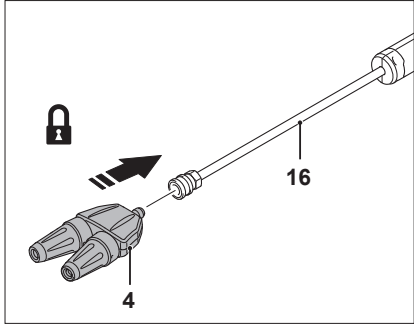
3



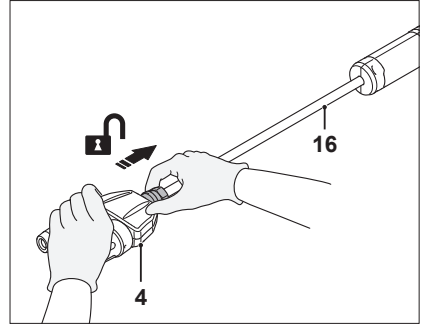
4



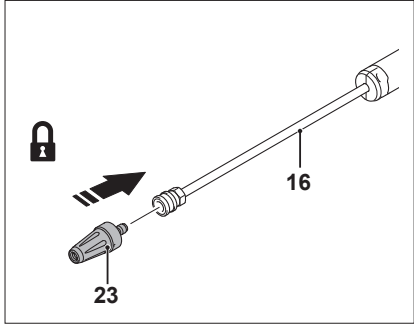
5



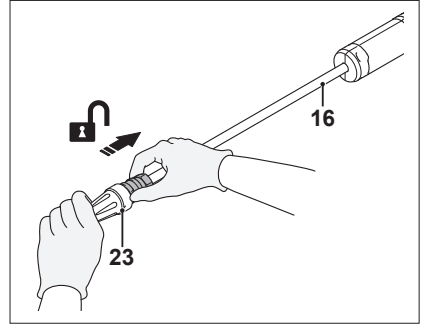
6



7

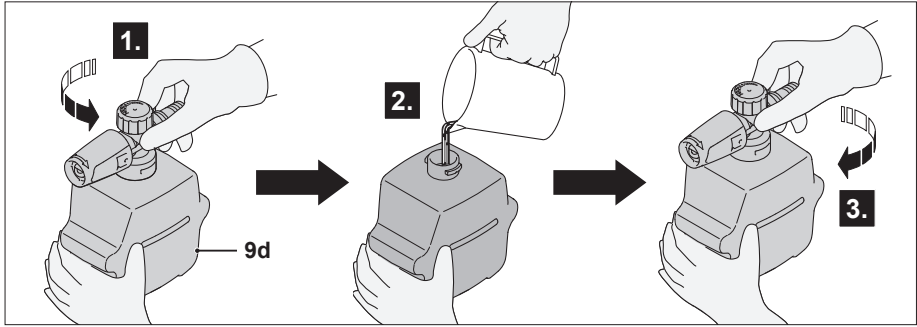


8

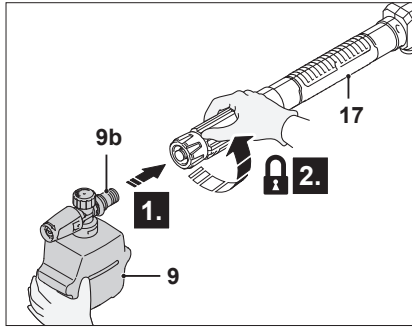




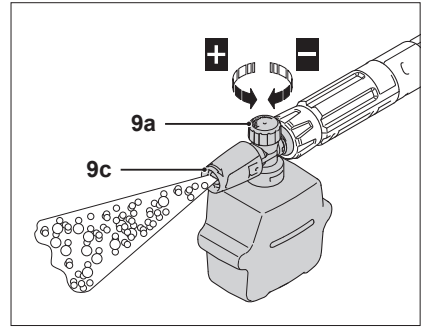
9



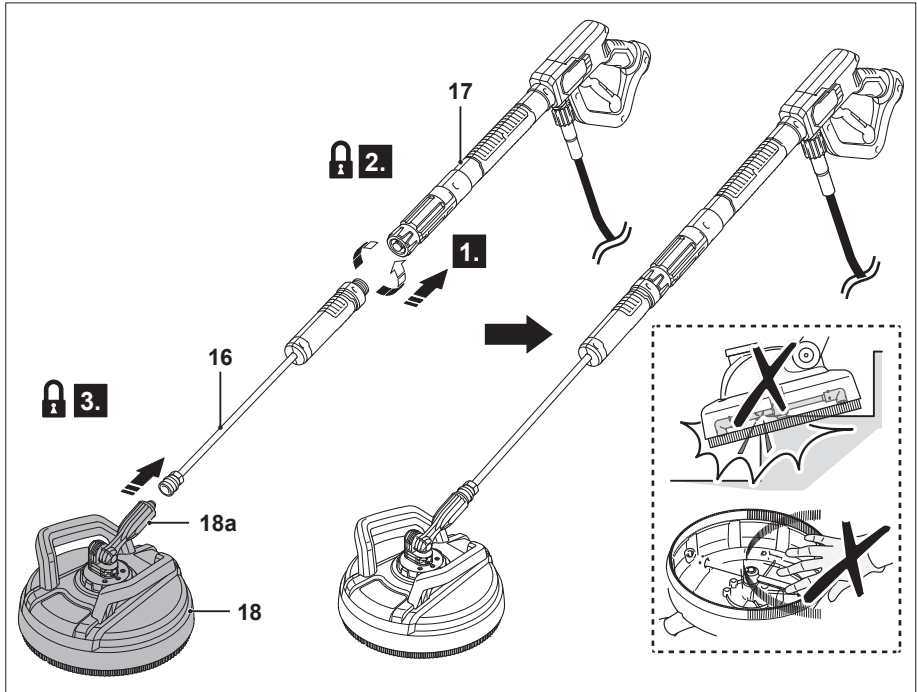
10



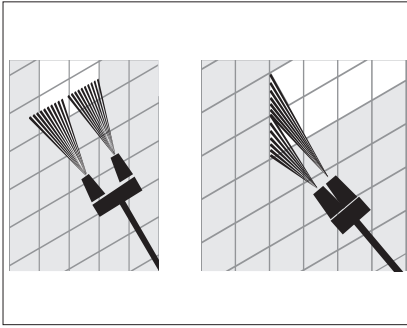
11



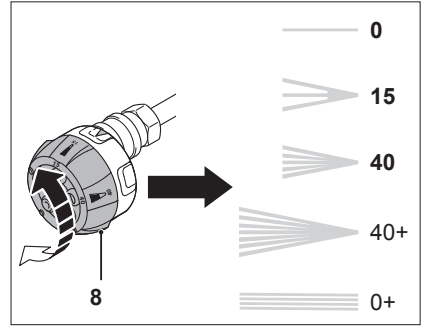
12



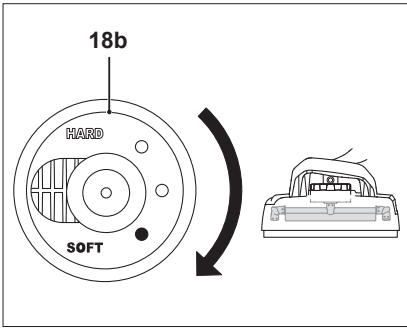
13



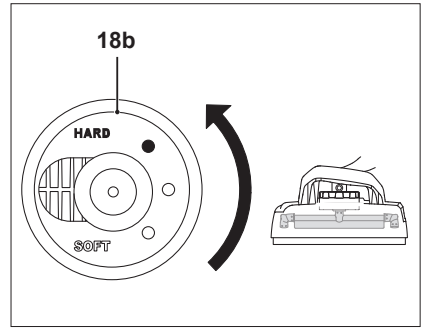
14



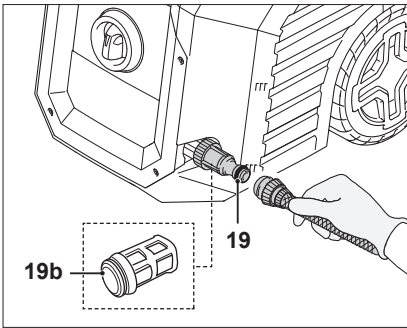
15



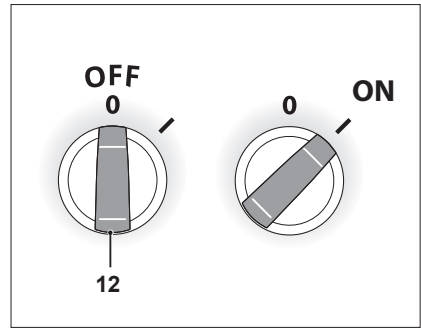
16



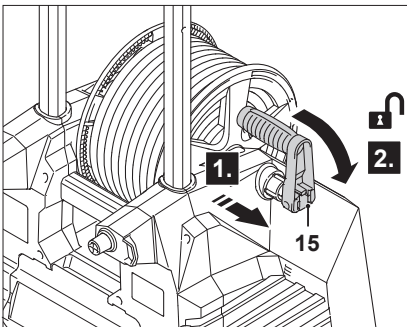
17



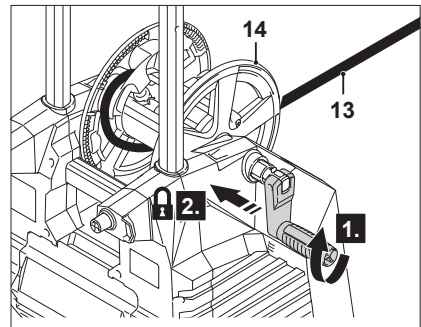
18



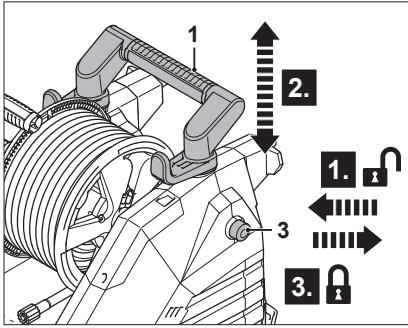
19



20



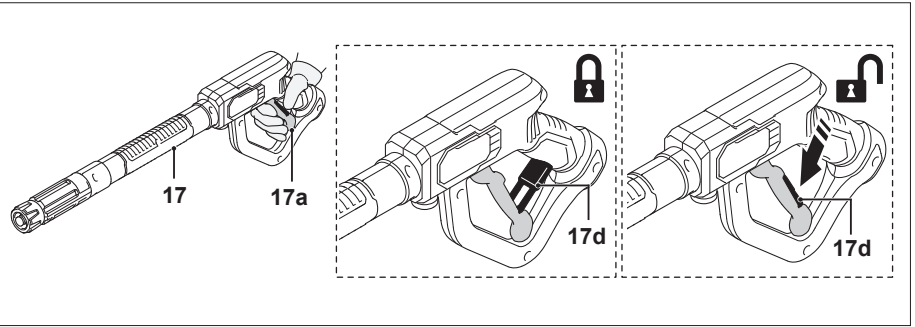
21



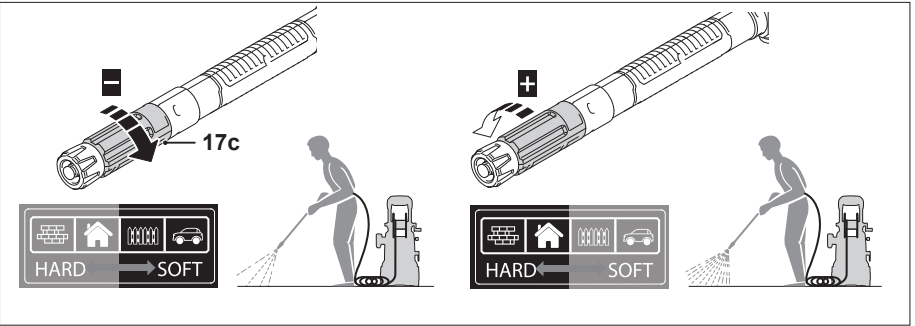
22



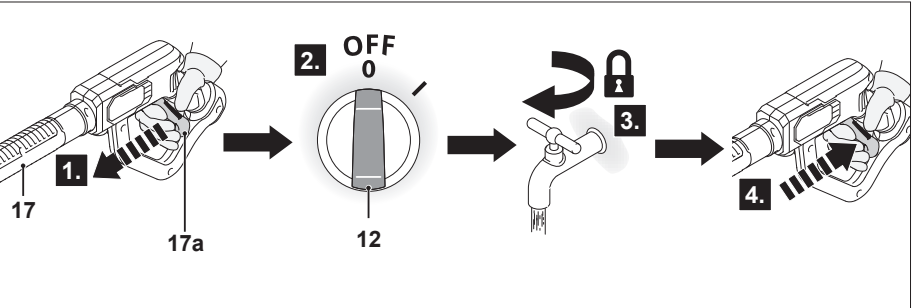
23



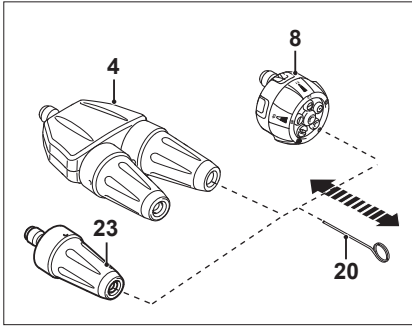
24



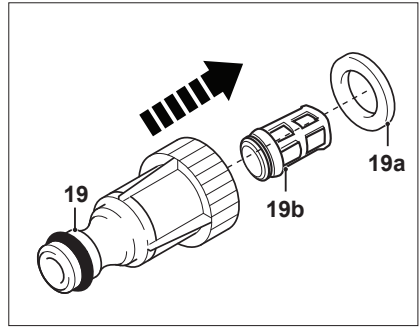
25



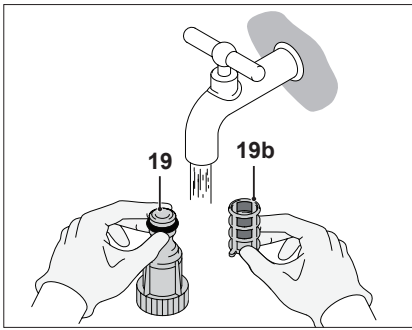
26



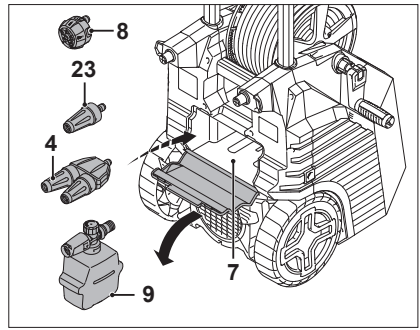
27



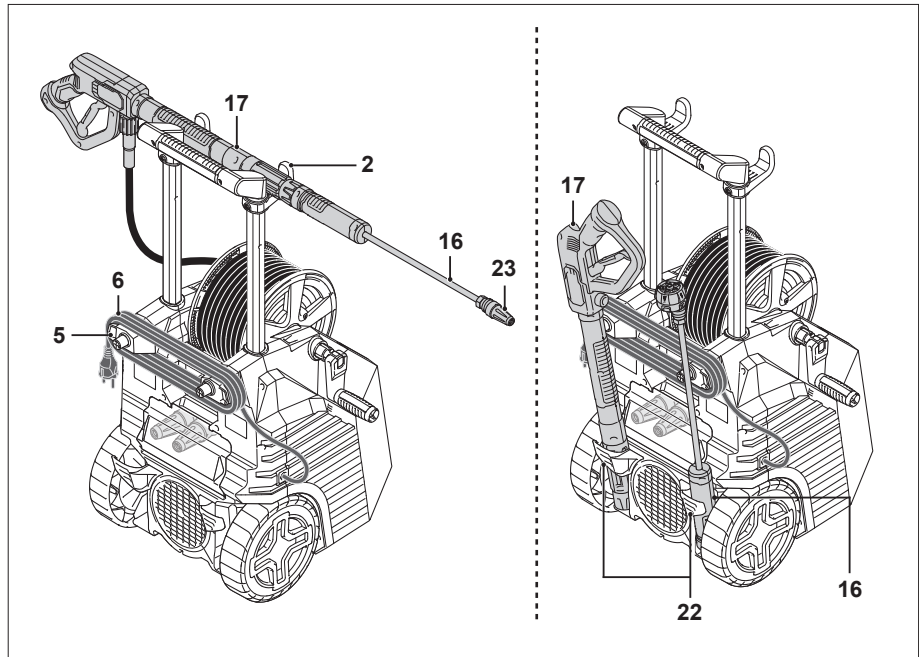
28



29



30





## Instruções de segurança



**AVISO** Leia todos os avisos, instruções, ilustrações e especificações de segurança fornecidos com esta máquina. A não observância de todas as instruções listadas abaixo pode resultar em choque elétrico, incêndio e/ou ferimentos graves.

**Guarde todos os avisos e instruções para referência futura.**

- As máquinas não devem ser utilizadas por crianças. As crianças devem ser supervisionadas para garantir que não brincam com a máquina.
- Esta máquina pode ser utilizada por pessoas com capacidades físicas, sensoriais ou mentais reduzidas, ou com falta de experiência e conhecimento, caso lhes seja disponibilizada supervisão ou instruções relativas à utilização segura da máquina e se compreenderem os perigos envolvidos.

### **SEGURANÇA PARA O DISPOSITIVO DE LIMPEZA DE ALTA PRESSÃO**

- **AVISO:** esta máquina foi concebida para uso com o agente de limpeza fornecido ou recomendado pelo fabricante. A utilização de outros agentes de limpeza ou produtos químicos pode afetar a segurança da máquina.
- **AVISO:** podem formar-se aerossóis durante a utilização de dispositivos de limpeza de alta pressão. A inalação de aerossóis pode ser prejudicial para a saúde.
- **AVISO:** os jatos de alta pressão podem ser perigosos se forem utilizados de forma indevida. Nunca direcione o jato para pessoas, equipamento elétrico ligado ou para a própria máquina.

- AVISO: não utilize a máquina perto de pessoas, exceto se estiverem a usar vestuário de proteção.
- AVISO: não direcione o jato para si ou outros para limpar roupas ou calçado.
- AVISO: risco de explosão – Não pulverize líquidos inflamáveis.
- AVISO: os dispositivos de limpeza de alta pressão não devem ser utilizados por crianças, nem por pessoal inexperiente.
- AVISO: as mangueiras de alta pressão, os acessórios e as uniões são importantes para a segurança da máquina. Utilize apenas mangueiras, acessórios e uniões recomendados pelo fabricante.
- AVISO: para garantir a segurança da máquina, utilize apenas peças sobresselentes originais do fabricante ou aprovadas pelo fabricante.
- AVISO: a água que tiver passado por dispositivos antirrefluxo é considerada não potável.
- AVISO: retire a ficha da tomada ao efetuar trabalhos de limpeza ou manutenção e quando substituir peças ou converter a máquina para outra função.
- AVISO: não utilize a máquina se um cabo de alimentação ou peças importantes da mesma estiverem danificadas, por exemplo, dispositivos de segurança, mangueiras de alta pressão, pistola de gatilho.
- AVISO: a utilização de prolongadores inadequados pode ser perigosa. Se for utilizado um prolongador, este deve ser adequado para utilização no exterior e a ligação deve ser mantida seca e afastada do solo. Recomenda-se que tal seja realizado através de um enrolador de cabo que mantém a tomada a, pelo menos, 60 mm acima do solo.

- AVISO: desligue sempre o interruptor de corte da rede elétrica quando deixar a máquina sem vigilância.
- Nunca utilize a máquina com líquidos inflamáveis ou tóxicos, nem líquidos com características incompatíveis com o seu bom funcionamento.
- Nunca utilize a máquina no exterior à chuva.
- Nunca bloqueie o gatilho da pistola na posição de funcionamento.
- Verifique se a máquina está equipada com a respetiva etiqueta de classificação; entre em contacto com o seu representante se esta estiver em falta. Não devem ser utilizadas máquinas sem etiqueta de classificação, uma vez que não podem ser identificadas e são potencialmente perigosas.
- Nunca adultere, nem ajuste a configuração da válvula de segurança ou dos dispositivos de segurança.
- Nunca altere o diâmetro original do bocal ajustável.
- Nunca deixe a máquina sem vigilância quando esta está em funcionamento.
- Não deixe que os veículos passem por cima da mangueira de pressão.
- Não mova a máquina puxando a mangueira de pressão.
- Quando direcionado para pneus, válvulas de pneus ou outros componentes pressurizados, o jato de alta pressão é potencialmente perigoso. Não aplique um jato e mantenha sempre o bocal a uma distância mínima de 30 cm durante a limpeza.
- Proteja todos os condutores elétricos do jato de água.
- A alta pressão pode causar ressalto de peças: utilize todo o vestuário e equipamento de proteção necessário para garantir a segurança do operador.

- Utilize equipamento de proteção individual (EPI) adequado durante a utilização, por exemplo, botas de segurança, luvas de segurança, capacetes de segurança com viseiras, proteção auditiva, etc.
- Esteja atento ao ressalto: segure a pistola com firmeza ao apertar o gatilho.
- Mantenha-se em conformidade com os regulamentos da entidade de fornecimento de água local. Ao abrigo da norma EN 12729 (BA) a máquina pode ser ligada diretamente à fonte de fornecimento de água potável apenas se a mangueira de fornecimento estiver equipada com um dispositivo antirrefluxo com função de drenagem.
- Liberte a pressão residual antes de retirar a mangueira da máquina.
- Verifique antes de cada utilização, e em intervalos regulares, se todos os fixadores de metal estão apertados e se os componentes da máquina estão em bom estado; verifique se há peças partidas ou gastas.
- AVISO: use apenas detergentes compatíveis com os materiais de revestimento da mangueira de alta pressão ou com outros materiais de revestimento.
- A ligação da alimentação elétrica deve ser efetuada por um eletricista qualificado e estar em conformidade com a norma IEC 60364-1. Recomenda-se que a alimentação elétrica desta máquina inclua um dispositivo de corrente residual que interrompa a alimentação se a corrente de fuga à terra exceder os 30 mA durante 30 ms ou um dispositivo que comprove o circuito de terra.
- Se o cabo de alimentação estiver danificado, tem de ser substituído pelo fabricante, pelo respetivo técnico de assistência ou por pessoal devidamente qualificado a fim de evitar situações de perigo.
- AVISO: a limpeza e a manutenção por parte do utilizador não podem ser efetuadas por crianças.



## **REDUÇÃO DE RUÍDO E DE VIBRAÇÃO**

Para reduzir o impacto do ruído e a emissão de vibração, limite o tempo de utilização, utilize modos de operação de baixa vibração e baixo ruído, bem como equipamento de proteção pessoal.

Considere os seguintes pontos para minimizar os riscos de exposição à vibração e ruído:

- a) Utilize a máquina apenas para as tarefas previstas de acordo com o respetivo design e estas instruções.
- b) Certifique-se de que a máquina está em boas condições e com manutenção adequada.
- c) Utilize os acessórios adequados para a máquina e certifique-se de que estes estão em boas condições.
- d) Agarre firmemente na pistola de ativação com as duas mãos.
- e) Efetue a manutenção desta máquina de acordo com estas instruções.
- f) Planeie o seu horário de trabalho para dividir o tempo em que usa uma ferramenta de vibração em vários períodos.
- g) A utilização prolongada da máquina expõe o utilizador a vibrações que podem causar diversas condições conhecidas no seu conjunto como síndrome de vibração mão-braço (HVAS), por exemplo, os dedos ficarem brancos. Também podem ocorrer doenças específicas como a síndrome do túnel cárpico. Para reduzir este risco ao utilizar a máquina, utilize sempre luvas de proteção e mantenha as mãos quentes.

## EMERGÊNCIA

Familiarize-se com a utilização desta máquina através deste manual de instruções. Memorize as orientações de segurança e siga-as à risca. Isto ajudará a prevenir riscos e perigos.

- a) **Esteja sempre atento ao utilizar esta máquina, para que possa reconhecer e gerir os riscos antecipadamente.** Uma intervenção rápida pode prevenir ferimentos graves e danos materiais.
- b) **Desligue e retire da tomada se ocorrer alguma avaria.** Envie a máquina para um profissional qualificado para verificação e reparação, se necessário, antes de a voltar a utilizar.

## RISCOS RESIDUAIS

**Mesmo que esteja a utilizar esta máquina em conformidade com todos os requisitos de segurança, alguns potenciais riscos de ferimentos e danos mantêm-se. Podem surgir os seguintes perigos relacionados com a estrutura e o design desta máquina:**

- a) Problemas de saúde resultantes da emissão de vibração se a máquina for utilizada durante longos períodos ou não for submetida a uma gestão e manutenção adequadas.
- b) Ferimentos e danos materiais resultantes de acessórios partidos ou impactos repentinos de objetos ocultos durante a utilização.
- c) Perigo de ferimentos e danos materiais provocados por objetos projetados.



**AVISO** Esta máquina produz um campo eletromagnético durante o funcionamento! Sob determinadas circunstâncias, este campo pode interferir com implantes médicos ativos ou passivos! Para reduzir o risco de ferimentos graves ou fatais, recomendamos que as pessoas com implantes médicos consultem um médico e o fabricante do implante médico antes de utilizar esta máquina!

## 01 Especificações técnicas

	5063022018892	5063022018915
<b>Gerais</b>		
Tensão nominal/frequência:	220 – 240 V ~/50 Hz	230 V ~ / 50 Hz
Entrada nominal:	3000 W	3000 W
Pressão nominal:	12 MPa	12,5 MPa
Pressão máx. permitida:	18 MPa	18 MPa
Pressão máx. de entrada de água:	1 MPa	1 MPa
Fluxo nominal:	8,33 l/min	8,83 l/min
Fluxo nominal máx.:	9,5 l/min	10 l/min
Temperatura nominal:	50 °C	50 °C
Força de resalto da pistola à pressão máx.:	< 21,5 Nm	< 23,3 Nm
Classe de proteção:	I / ⊕	I / ⊕
Grau de proteção:	IPX5	IPX5
Peso:	25,5 kg	25,5 kg
Dimensões:	441 X 479 X 864 mm	441 X 479 X 864 mm
<b>Mangueira de alta pressão</b>		
Pressão permitida:	20 MPa	20 MPa
Temperatura máxima:	60 °C	60 °C
Comprimento:	10 m	10 m
<b>Mangueira de água (não fornecida)</b>		
Qualidade:	Mangueira reforçada	Mangueira reforçada
Diâmetro:	mín. Ø 12,7 mm (½ pol.)	mín. Ø 12,7 mm (½ pol.)
Comprimento:	máx. 10 m	máx. 10 m
<b>Nível sonoro</b>		
Nível de pressão sonora $L_{pA}$	80,7 dB(A)	80,7 dB(A)
Incerteza $K_{pA}$	2,50 dB(A)	2,50 dB(A)
Nível de potência sonora medido $L_{WA}$	92,2 dB(A)	92,2 dB(A)
Incerteza $K_{WA}$	2,50 dB(A)	2,50 dB(A)
Nível de potência sonora garantido $L_{WA}$ (em conformidade com a norma 2000/14/CE, aditada pela norma 2005/88/CE)	96 dB(A)	96 dB(A)
<b>Nível de vibração</b>		
Valor de emissão de vibração declarado $a_{hd}$ :	<2.5 m/s <sup>2</sup>	<2.5 m/s <sup>2</sup>
Incerteza K:	1,0 m/s <sup>2</sup>	1,0 m/s <sup>2</sup>

Os níveis sonoros foram determinados de acordo com o código de ensaio de ruído previsto na norma EN 60335-2-79, utilizando as normas de base ISO 3744 e ISO 11203.

O nível de intensidade sonora para o utilizador pode exceder 80 dB(A) pelo que são necessárias medidas de proteção auditiva.

O valor de vibração declarado foi medido em conformidade com um método de ensaio padrão (de acordo com a norma EN 60335-2-79) e pode ser utilizado para comparar máquinas entre si. O valor declarado de vibração também pode ser utilizado numa avaliação preliminar da exposição.






**AVISO!** Dependendo da utilização real da máquina, os valores de vibração podem diferir do total declarado. Adote medidas adequadas para se proteger contra exposição à vibração. Tenha em consideração todo o processo de trabalho, incluindo os momentos em que a máquina está a funcionar sem carga ou desligada. As medidas adequadas incluem, entre outras, manutenção e cuidados regulares da máquina e dos acessórios de corte, conservação da temperatura das mãos, intervalos periódicos e planeamento adequado de processos de trabalho.

## 02 Símbolos

A etiqueta de classificação da máquina e estas instruções incluem, entre outros, os seguintes símbolos e abreviaturas. Familiarize-se com eles para reduzir riscos como ferimentos e danos materiais.

V~	Volt (tensão alternada)	kg	Quilograma
Hz	Hertz	dB(A)	Decibel (classificação A)
W	Watt	m/s <sup>2</sup>	Metros por segundo quadrado
/min ou min <sup>-1</sup>	Por minuto	MPa	Megapascal, unidade de pressão
mm	Milímetro	bar	Unidade de pressão
P <sub>rated</sub>	Pressão classificada	Q <sub>rated</sub>	Fluxo nominal
P <sub>max</sub>	Pressão permitida	Q <sub>max</sub>	Fluxo máx.
P <sub>IN MAX</sub>	Máx. pressão de entrada de água		
IPX5	A máquina está protegida contra água (fora de um bocal) de todas as direções.		
yyWxx	Código da data de fabrico; ano de fabrico (20yy) e semana de fabrico (Wxx).		
EBPW3000	EB_Nome da Marca; PW_Lavadora de Alta Pressão; 3000_Potência		

## Descrição das palavras de sinalização:

-  **PERIGO!** A palavra indica um perigo com um elevado nível de risco que, se não for evitado, resultará em morte ou ferimentos graves.
-  **AVISO!** A palavra indica um perigo com um nível médio de risco que, se não for evitado, pode resultar em morte ou ferimentos graves.
-  **ATENÇÃO!** A palavra indica um perigo com um baixo nível de risco que, se não for evitado, pode resultar em ferimentos ligeiros ou moderados.
- NOTA!** Indica uma indicação, conselho ou prática não relacionada com lesões pessoais.



Bloquear/apertar ou fixar.



Utilize proteção para os ouvidos.



Desbloquear/soltar.



Utilize proteção para os olhos.



Nota/Observação.



Utilize proteção respiratória.



Cuidado/Aviso.

Leia o manual de instruções.



Utilize luvas de proteção.



Utilize calçado de proteção e antiderrapante.



Desligue a máquina e retire-a da fonte de alimentação antes de montar, limpar, ajustar, proceder à manutenção, arrumar e transportar.



Certifique-se sempre de que outras pessoas e animais de estimação se encontram a uma distância segura da máquina durante a sua utilização. Em geral, as crianças não devem aproximar-se da área onde se encontra a máquina.



Não exponha a máquina à chuva ou a condições de humidade.



Esta máquina não é adequada para ligação à fonte de fornecimento de água potável.



Não direcione o jato de água para pessoas, animais, equipamento elétrico ou para a própria máquina.



Nível de potência sonora garantido em 96 dB.



A máquina está em conformidade com as diretivas europeias aplicáveis e foi aplicado um método de avaliação de conformidade com estas diretivas.



Símbolo REEE. Os resíduos de máquinas elétricas não devem ser eliminados com o lixo doméstico. Recicle nas instalações adequadas, sempre que existentes. Informe-se sobre a reciclagem junto às autoridades ou loja locais.



## Montagem

### 01 Desembalar

1. Desembale todas as peças e coloque-as numa superfície lisa e estável.
2. Remova todos os materiais de embalagem e dispositivos de envio, se aplicável.
3. Certifique-se de que o conteúdo entregue está completo e livre de danos. Caso descubra que existem peças em falta ou que estas apresentam danos, não utilize a máquina e contacte um representante. Utilizar uma máquina incompleta ou danificada representa perigo para pessoas e bens.
4. Certifique-se de que dispõe de todos os acessórios e ferramentas necessários para a montagem e a utilização. Isto também inclui equipamento de proteção pessoal adequado.



**AVISO!** A máquina e a embalagem não são brinquedos para crianças! As crianças não devem brincar com sacos de plástico, folhas e peças pequenas! Existe perigo de asfixia e sufocação!

### 02 Montar



**AVISO!** A máquina tem de estar totalmente montada antes da utilização! Não utilize uma máquina que esteja apenas parcialmente montada ou montada com peças danificadas!



Siga as instruções de montagem passo a passo e utilize as imagens fornecidas como um guia visual para montar facilmente a máquina!

Retire a máquina da tomada antes da montagem.



**NOTA:** Tenha em atenção as pequenas peças removidas durante a montagem ou a realização de ajustes. Mantenha-as seguras para evitar perdas.

## Mangueira de alta pressão

1. Ligue a mangueira de alta pressão (13) à ligação da mangueira (17b) da pistola de ativação (17) (Fig. 1, passo 1).
2. Aperte a mangueira de alta pressão (13) rodando-a para a direita para a fixar no lugar (Fig. 1, passo 2).



**NOTA:** sSepare a mangueira de alta pressão (13) da pistola de ativação (17), rodando-a para a esquerda.

## Lança de extensão

1. Ligue a lança de extensão (16) à ponta da pistola de ativação (17) (Fig. 2, passo 1).
2. Aperte a lança de extensão (16) rodando-a para a direita para a fixar no lugar (Fig. 2, passo 2).



**NOTA:** separe a lança de extensão (16) da pistola de ativação (17), rodando-a para a esquerda.

## Bocal 5 em 1

1. Empurre o bocal 5 em 1 (8) na direção da ponta da lança de extensão (16) (Fig. 3).
2. O bocal 5 em 1 (8) encaixa no lugar com um estalido.



**NOTA:** separe o bocal 5 em 1 (8) puxando a manga na ponta da lança de extensão (16) para trás (Fig. 4).

## Bocal rotativo duplo

1. Empurre o bocal rotativo duplo (4) na direção da ponta da lança de extensão (16) (Fig. 5).
2. O bocal rotativo duplo (4) encaixa no lugar com um estalido.



**NOTA:** separe o bocal rotativo duplo (4) puxando a manga na ponta da lança de extensão (16) para trás (Fig. 6).

## Bocal rotativo único

1. Empurre o bocal rotativo único (23) na direção da ponta da lança de extensão (16) (Fig. 7).
2. O bocal rotativo único (23) encaixa no lugar com um estalido.



**NOTA:** Separe o bocal rotativo único (23) puxando a manga na ponta da lança de extensão (16) para trás (Fig. 8).



## Canhão de espuma



**AVISO!** Evite o contacto da pele com detergentes, nomeadamente o contacto com os olhos! Se o detergente entrar em contacto com os seus olhos, lave-os com água limpa e procure assistência médica imediata!



**NOTA:** utilize apenas detergentes suaves e ecológicos. Nunca use produtos químicos agressivos, detergentes abrasivos ou semelhantes, para evitar danos para a sua saúde, para a máquina e para o ambiente.

1. Desenrosque a tampa da garrafa de detergente (9d) (Fig. 9, passo 1).
2. Encha a garrafa de detergente (9d) com o detergente apropriado (Fig. 9, passo 2).
3. Aperte bem a tampa (Fig. 9, passo 3).
4. Ligue a porta de ligação (9b) do canhão de espuma (9) à ponta da pistola de ativação (17) (Fig. 10, passo 1).
5. Aperte o canhão de espuma (9), rodando-o para a direita para o fixar no lugar (Fig. 10, passo 2).



**NOTA:** rode o botão de ajuste de fluxo (9a) para ajustar a quantidade de fluxo do detergente. Durante a utilização, o detergente mistura-se automaticamente com água e é libertado através do bocal (9c) (Fig. 11).

## Escova para pátio



**AVISO!** A escova para pátio (18) destina-se apenas a ser utilizada em superfícies de pátio planas! Não tente utilizá-la em degraus ou verticalmente em paredes. Nunca tente tocar no bocal rotativo durante o funcionamento (Fig. 12).



**NOTA:** utilize a escova para pátio (18) em movimentos de um lado para o outro. Não a mova para a frente e para trás, para evitar que caia.

1. Ligue a lança de extensão (16) à ponta da pistola de ativação (17) (Fig. 12, passo 1).
2. Aperte a lança de extensão (16), rodando-a para a direita para a fixar no lugar (Fig. 12, passo 2).
3. Empurre o conetor da lança de extensão (18a) da escova para pátio (18) na direção da ponta da lança de extensão (16) (Fig. 12, passo 3).
4. A escova para pátio (18) encaixa no lugar com um estalido.



## Utilização

# Utilização prevista

Esta lavadora de alta pressão EBPW3000 foi concebida com uma potência nominal de entrada de 3000 Watts.

1. Esta máquina destina-se à limpeza de veículos, edifícios, terraços, fachadas e equipamento de jardim, usando água limpa e detergentes químicos biodegradáveis. Da mesma forma, pode remover sujidade pegajosa, por exemplo, de lajes de pavimentos ou de caleiros.  
Este produto não pode ser utilizado para limpar vestuário, calçado ou outros têxteis. O jato de água não deve ser direcionado a pessoas, animais, qualquer equipamento elétrico ou ao próprio produto. Não lave objetos que contêm material perigoso para a saúde (por exemplo, amianto). Não utilize o produto em combinação com líquidos inflamáveis, explosivos e tóxicos.
2. Por razões de segurança, é essencial ler o manual de instruções completo antes da primeira utilização e respeitar todas as instruções que se encontram no mesmo.
3. Esta máquina destina-se apenas a utilização doméstica e não a qualquer utilização comercial. Não pode ser utilizado para outros fins que não os descritos.

# Antes de começar

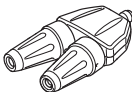

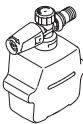
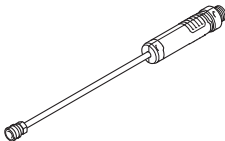
## 01 Proteção

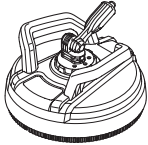



# Funções da máquina



**AVISO!** Não faça ajustes aos acessórios quando a máquina estiver em funcionamento. Liberte a alavanca de ativação (17a) antes de ajustar os acessórios.

Peças		Aplicação
	Bocal rotativo duplo (4)	<ul style="list-style-type: none"> <li>• A utilizar para limpeza a alta pressão em conjunto com a lança de extensão (16).</li> <li>• Mantenha sempre o bocal rotativo duplo (4) a 15-20 cm de distância da superfície a limpar.</li> <li>• Rode o bocal rotativo duplo (4) para orientar o jato em leque conforme pretendido (Fig. 13).</li> </ul>
	Bocal 5 em 1 (8)	<ul style="list-style-type: none"> <li>• Para pulverização em leque ou jato de lápis em conjunto com a lança de extensão (16).</li> <li>• Rode a ponta do bocal 5 em 1 (8) para o padrão de pulverização desejado. A definição selecionada (<b>0/ 15/ 40/ 40+/ 0+</b>) é indicada pela marca em forma de seta no bocal (Fig. 14).</li> </ul> <p style="text-align: center;"> <b>0:</b> jato de lápis de alta pressão  <b>15/ 40:</b> pulverização de alta pressão em leque  <b>40+:</b> cortina de água de baixa pressão  <b>0+:</b> coluna de água de baixa pressão         </p>
	Canhão de espuma (9)	<ul style="list-style-type: none"> <li>• Para aplicar detergente na definição de alta pressão em conjunto com a pistola de ativação (17).</li> <li>• O uso de detergente permite que a água a alta pressão penetre e remova a sujidade de forma mais eficaz.</li> </ul>
	Lança de extensão (16)	A utilizar em conjunto com a pistola de pulverização (17), o bocal rotativo duplo (4), o bocal 5 em 1 (8), o bocal rotativo único (23) e a escova para pátio (18).

	<p>Escova para pátio (18)</p>	<ul style="list-style-type: none"> <li>• Para limpar grandes superfícies planas, por exemplo, pisos, caminhos de jardim ou pátios, em conjunto com a lança de extensão (16).</li> <li>• Rode o disco de ajuste de pressão (18b) para ajustar a potência de lavagem.</li> <li>&gt; Rode-a para a direita para o modo <b>SUAVE</b>, para uma potência de lavagem normal (Fig. 15).</li> <li>&gt; Rode-a para a esquerda para o modo <b>FORTE</b>, para uma maior potência de lavagem (Fig. 16).</li> </ul>
	<p>Bocal rotativo único (23)</p>	<ul style="list-style-type: none"> <li>• A utilizar para limpeza a alta pressão em conjunto com a lança de extensão (16).</li> <li>• Mantenha sempre o bocal rotativo único (23) a 15-20 cm de distância da superfície a limpar.</li> </ul>

## Ligação ao fornecimento de água



**AVISO!** Esta máquina não se destina a ser ligada à fonte de fornecimento de água potável!

Cumpra as regulamentações da sua empresa de fornecimento local quando ligar a máquina a uma linha de fornecimento de água! É proibido ligar esta máquina à unidade de fornecimento de água sem um dispositivo antirrefluxo que corresponda à EN 12729 Tipo BA ou à EN 61770! Certifique-se de que a mangueira de jardim reforçada (não incluída) ligada ao fornecimento de água e à máquina tem, pelo menos, 12,7 mm (1/2") de diâmetro.

1. Ligue o adaptador da mangueira de entrada de água (19) à entrada de água (11) (Fig. 17).
2. Ligue uma extremidade de uma mangueira de jardim adequada (não incluída) ao fornecimento de água.
3. Ligue a outra extremidade da mangueira de jardim ao adaptador da mangueira de entrada de água (19).
4. Abra o fornecimento de água.



**NOTA:** O adaptador da mangueira de entrada de água (19) contém um filtro de entrada (19b) para proteger a máquina contra partículas maiores. Não use o adaptador da mangueira de entrada de água (19) sem o filtro de entrada (19b).

## Ligação a uma tomada



**AVISO!** Verifique a tensão! A tensão deve estar em conformidade com as informações na etiqueta de classificação!

Se utilizar um prolongador, este tem de ser adequado para utilização no exterior com tomadas protegidas contra salpicos de água. Certifique-se de que o prolongador é do tamanho e tipo adequados para a máquina ( $\geq 1,5 \text{ mm}^2$ )!

**AVISO!** A ligação da alimentação elétrica deve ser efetuada por um electricista qualificado e estar em conformidade com a norma IEC 60364-1. Recomenda-se que a alimentação elétrica desta máquina inclua um dispositivo de corrente residual que interrompa a alimentação se a corrente de fuga à terra exceder os 30 mA durante 30 ms ou um dispositivo que comprove o circuito de terra.

1. Coloque o interruptor de ligar/desligar (12) na posição **O** (Fig. 18).
2. Desenrole totalmente o cabo de alimentação (6).
3. Ligue a ficha de alimentação (6) a uma tomada adequada.

## Utilizar o porta mangueira



**AVISO!** Descarregue sempre a pressão residual da mangueira de alta pressão (13), pressionando repetidamente a alavanca de ativação (17a) da pistola de ativação (17) antes de utilizar a máquina.

### 01 Desenrolar a mangueira de alta pressão



**AVISO!** Desenrole sempre a mangueira de alta pressão (13) totalmente e puxe-a completamente do porta mangueira (14) para a utilizar.

1. Puxe ligeiramente a manivela (15) para fora do porta mangueira (14) (Fig. 19, passo 1).
2. Desdobre a manivela (15) para permitir a sua rotação (Fig. 19, passo 2).
3. Rode a manivela (15) para a esquerda para desenrolar a mangueira de alta pressão (13) ou puxe a mangueira de alta pressão (13) para fora do porta mangueira (14) para o seu funcionamento.

## 02 Enrolar a mangueira de alta pressão



**AVISO!** Liberte a pressão da mangueira de alta pressão (13) antes de a enrolar:

1. Coloque o interruptor de ligar/desligar (12) na posição **O** (Fig. 18).
2. Prima repetidamente a alavanca de ativação (17a) da pistola de ativação (17) para libertar a pressão restante na mangueira de alta pressão (14).

1. Após a utilização, rode a manivela (15) para a direita para enrolar a mangueira de alta pressão (13) (Fig. 20, passo 1).
2. Alinhe as linguetas na manivela (15) com as ranhuras na caixa. Empurre ligeiramente a manivela (15) para dentro para a fixar no lugar (Fig. 20, passo 2).
3. Dobre a manivela (15).

## 03 Utilizar a pega de transporte

1. Prima o botão de bloqueio (3) para desbloquear a pega de transporte (1) (Fig. 21, passo 1).
2. Levante a pega de transporte (1) para a posição de altura pretendida (alta/baixa) (Fig. 21, passo 2).
3. A pega de transporte (1) encaixa no lugar com um estalido e o botão de bloqueio (3) sobe para a sua posição original (Fig. 21, passo 3).

# Funcionamento



**AVISO!** Não utilize a máquina com uma torneira fechada! Isto leva ao funcionamento a seco e, posteriormente, danifica a máquina!

As forças de ressaltos resultam de apertar a alavanca de ativação (17a)! Por isso, segure na pistola de ativação (17) sempre com as duas mãos!

Preste atenção à postura segura! O manuseamento inadequado pode provocar ferimentos!



**AVISO!** Não utilize a máquina quando a temperatura ambiente for inferior a 0 °C. A água congela no interior da máquina e danifica-a.



**NOTA:** a válvula de segurança é uma válvula limitadora de pressão. Quando a alavanca de ativação (17a) é libertada, a válvula abre-se e descarrega a pressão no interior da bomba.

**NOTA:** o dispositivo automático de arranque/paragem do motor é acionado pela alavanca de ativação (17a) da pistola de ativação (17). Quando a alavanca de ativação (17a) é libertada, a pressão dinâmica desliga automaticamente o motor. Quando a alavanca de ativação (17a) é premida, a queda de pressão automática arranca o motor e a pressão é restabelecida após um atraso muito ligeiro.

- Verifique se existem danos na máquina, no cabo de alimentação com ficha (6), bem como nos acessórios antes de cada utilização. Não utilize a máquina se este estiver danificada ou apresentar sinais de desgaste.
- Verifique novamente se os acessórios estão devidamente fixados.
- Segure na pistola de ativação (17) sempre com as duas mãos.
- Certifique-se de que os respiradouros estão sempre desobstruídos e limpos. Se necessário, limpe-os com uma escova macia. O bloqueio dos respiradouros pode provocar um sobreaquecimento e danificar a máquina.
- Desligue a máquina imediatamente se, enquanto estiver a trabalhar, for interrompido pela entrada de outras pessoas na área de trabalho. Espere sempre que a máquina pare completamente antes de se afastar.
- Não trabalhe em excesso. Faça pausas regularmente para garantir que se consegue concentrar no trabalho e ter controlo total sobre a máquina.

## 01 Iniciar



**AVISO!** Cuidado com o ressalto ao apertar o gatilho!



**NOTA:** A pistola de ativação (17) está equipada com um bloqueio da alavanca de ativação (17d) (Fig. 23) a fim de evitar a ativação acidental da alavanca de ativação (17a). Rode o bloqueio da alavanca de ativação (17d) para cima para que a alavanca de ativação (17a) possa ser pressionada.



**NOTA:** mantenha sempre uma distância razoável entre o bocal e o objeto a ser limpo para evitar danos. Aconselhe-se com o seu representante se necessário.

1. Ligue a máquina a um fornecimento de água adequado, conforme descrito.
2. Ligue a máquina a uma tomada adequada, conforme descrito.
3. Abra completamente a torneira de água.

4. Segurando a pistola de ativação (17) com as duas mãos, vire o bocal para longe de si em direção à superfície a limpar (Fig. 22).
5. Aperte a alavanca de ativação (17a) (Fig. 23) até que a água saia da saída de água (21) sem bolhas de ar.
6. Coloque o interruptor de ligar/desligar (12) na posição **I** (Fig. 18).
7. Mude o modo de funcionamento rodando o botão de ajuste de pressão (17c) na pistola de ativação (17) (Fig. 24).
  - > Rode o botão de ajuste de pressão (17c) para a direita para o modo de funcionamento **SUAVE**.
  - > Rode o botão de ajuste de pressão (17c) para a esquerda para o modo de funcionamento **FORTE**.

## 02 Após a utilização

1. Solte a alavanca de ativação (17a) (Fig. 25, passo 1).
2. Coloque o interruptor de ligar/desligar (12) na posição **O** (Fig. 25, passo 2).
3. Desligue o fornecimento de água (Fig. 25, passo 3).
4. Aperte a alavanca de ativação (17a) para permitir que toda a água saia da máquina e liberte a pressão ainda presente no produto (Fig. 25, passo 4). Rode o bloqueio da alavanca de ativação (17d) para baixo na alavanca de ativação (17a).



**AVISO!** Separe a mangueira de alta pressão (13) da pistola de ativação (17) e a mangueira de jardim da entrada de água (11) apenas quando já não houver pressão no sistema! Certifique-se de que a máquina está desligada e que foi retirada da ficha de alimentação.



**NOTA:** a pistola de ativação (17) está equipada com um bloqueio da alavanca de ativação (17d) (Fig. 23) a fim de evitar a ativação acidental da alavanca de ativação (17a). Depois da utilização, rode o bloqueio da alavanca de ativação (17d) para baixo na alavanca de ativação (17a).

5. Desligue a ficha de alimentação (6) da tomada.
6. Separe a mangueira de jardim do fornecimento de água e, em seguida, do adaptador da mangueira de entrada de água (19).
7. Separe a mangueira de alta pressão (13) da pistola de ativação (17).
8. Enrole a mangueira de alta pressão (13) no porta mangueira (14). Não dobre nem torça a mangueira de alta pressão (13).
9. Separe os acessórios na sequência inversa das instruções de montagem.



# Dicas de lavagem

## 01 Gerais

- Dissolva a sujidade aplicando o detergente misturado com água na superfície enquanto ainda está seca. Deixe o detergente atuar na superfície durante alguns minutos, mas não o deixe secar.
- Nas superfícies verticais, comece de baixo para cima. Utilize um jato de alta pressão a uma distância mínima de 30 cm e a um ângulo de 45 graus de baixo para cima; em seguida, enxague de cima para baixo.
- Para a sujidade mais difícil, sugere-se que a esfregue com uma escova antes de lavar com pressão. Evite apontar um jato na definição mais alta em peças delicadas ou pintadas, ou em componentes pressurizados (por exemplo, pneus, válvulas de enchimento, etc.).
- A lavagem eficaz depende da pressão e do volume de água utilizado, no mesmo grau.

## 02 Plataformas em madeira e vinil (MODO SUAVE)



**CUIDADO!** Aumente a distância em relação à área de limpeza nas madeiras mais macias.

- Divida a sua área de trabalho em secções mais pequenas e lave uma secção de cada vez para obter os melhores resultados.
- Lave a alta pressão utilizando a pulverização em leque, mantendo o bocal a uma distância mínima de 15-25 cm da superfície de limpeza.
- Mantenha uma distância maior em relação à área de limpeza quando usar pulverização em jato.

## 03 Pátios de cimento, pedra e tijolo (MODO FORTE)

- Lave a alta pressão utilizando a pulverização em leque num movimento contínuo, mantendo o bocal a uma distância mínima de 7-15 cm da superfície de limpeza.
- Mantenha uma distância maior em relação à área de limpeza quando usar pulverização em jato.

## 04 Automóveis, barcos e motociclos (MODO SUAVE)



**AVISO!** Não limpe o motor com esta máquina!

- Limpe um lado de cada vez para obter os melhores resultados.
- Lave a alta pressão utilizando a pulverização em leque num movimento contínuo, mantendo o bocal a uma distância mínima de 20 cm da superfície de limpeza. Não utilize o jato de pulverização fina na pintura de veículos ou barcos.
- Seque a superfície para um acabamento polido.



Cuidados e manutenção

## 01 Regras de ouro dos cuidados



**AVISO!** Aperte sempre a alavanca de ativação (17a) para libertar a pressão restante na mangueira de alta pressão (13) antes de limpar, armazenar ou efetuar a manutenção.



Desligue sempre a máquina, retire-a da tomada e deixe-a arrefecer antes de efetuar trabalhos de inspeção, manutenção e limpeza!

1. Mantenha a máquina limpa. Remova os detritos após cada utilização e antes de o armazenar.
2. Uma limpeza regular e adequada ajuda a assegurar uma utilização segura e a prolongar o tempo de vida útil da máquina.
3. Inspeccione a máquina antes de cada utilização quanto a desgaste e peças danificadas. Não o utilize se encontrar peças partidas ou desgastadas.



**AVISO!** Efetue reparações e trabalhos de manutenção apenas de acordo com estas instruções! Todos os trabalhos suplementares devem ser realizados por um especialista qualificado!

## 02 Limpeza



**NOTA:** não utilize produtos químicos, alcalinos, abrasivos ou outros detergentes agressivos ou desinfetantes para limpar esta máquina, uma vez que podem ser prejudiciais para as superfícies do mesmo.

### Rosca milimétrica

1. Limpe a máquina com um pano ligeiramente humedecido e sabão suave. Utilize uma escova para áreas de difícil alcance.
2. Em particular, limpe os respiradouros após cada utilização com um pano e uma escova.
3. Elimine a sujidade persistente com ar sob pressão (máx. 3 bar).

## Acessórios

1. Limpe os acessórios com um pano ligeiramente humedecido e sabão suave. Utilize uma escova para áreas de difícil alcance.
2. Desentupa o bocal rotativo duplo (4), bocal rotativo único (23) ou o bocal 5 em 1 (8) com a agulha de limpeza (20) (Fig. 26). Para isso, insira a agulha de limpeza na abertura do bocal e movimente-a para a frente e para trás.
3. Desmonte o adaptador da mangueira de entrada de água (19) (Fig. 27). Lave as peças com água limpa (Fig. 28).
4. Drene e lave o canhão de espuma (9) no final da sessão de trabalho. Lave a garrafa de detergente (9d).

### 03 Descalcificação

Ocasionalmente, dependendo da natureza da água da torneira, formam-se depósitos de cálcio na máquina e nos acessórios. O nível dos depósitos (e, por conseguinte, a frequência da descalcificação) depende do grau de dureza da água e da frequência com que a máquina é utilizada. Consulte o seu fornecedor para determinar o grau de dureza da água na sua zona.



**NOTA:** use uma mistura de água e ácido cítrico ou vinagre para a descalcificação. Estas substâncias são facilmente biodegradáveis e ecológicas!

1. Faça uma mistura de uma parte de vinagre e duas partes de água quente ( $\leq 50\text{ }^{\circ}\text{C}$ ) num recipiente adequado, por exemplo, numa tigela.
2. Coloque os acessórios amovíveis na mistura.
3. Deixe os acessórios na mistura durante, aproximadamente, 12 horas.
4. Lave os acessórios com água limpa.

### 04 Manutenção

Antes e depois de cada utilização, verifique a máquina e os acessórios quanto a desgaste e danos. Se necessário, substitua-os por novos, conforme descrito neste manual de instruções. Respeite os requisitos técnicos.

## 05 Peças sobresselentes/de substituição

As peças desta máquina mencionadas na tabela de manutenção podem ser substituídas pelo consumidor. As peças sobresselentes estão disponíveis em concessionários autorizados ou através do nosso serviço de atendimento ao cliente.

Pistola de ativação	Lança de extensão
Bocal rotativo duplo	Bocal 5 em 1
Canhão de espuma	Escova para pátio
Bocal rotativo único	

## 06 Reparação

Esta máquina não contém peças que possam ser reparadas pelo consumidor. Contacte um centro de assistência autorizado ou um especialista devidamente qualificado para solicitar a respetiva verificação e reparação.

## 07 Transporte

1. Desligue a máquina e retire-a da tomada.
2. Desligue a máquina do fornecimento de água.
3. Desloque a máquina utilizando as rodas (10) e a pega de transporte (1).
4. Armazene a máquina e os acessórios num local seco e livre de gelo.
5. Proteja a máquina contra qualquer impacto intenso ou vibrações fortes que possam ocorrer durante o transporte em veículos.
6. Fixe a máquina para evitar que deslize ou tombe.

## 08 Armazenamento



**NOTA:** é importante ter boas condições de armazenamento para manter a máquina sem problemas.

1. Desligue a máquina e retire-a da tomada.
2. Desligue a máquina do fornecimento de água.
3. Limpe a máquina conforme descrito acima.
4. Drene a água restante e lave a garrafa de detergente (9d) no final da sessão de trabalho.
5. Armazene as peças nos suportes (2, 5, 22) ou na câmara de acessórios (7) (Fig. 29, 30).
6. Armazene a máquina e os acessórios num local seco e livre de gelo.
7. Guarde sempre a máquina num lugar inacessível para crianças. A temperatura ideal de armazenamento situa-se entre os 10 °C e os 30 °C.
8. Recomendamos usar a embalagem original para armazenamento ou tapar a máquina com um pano ou cobertura adequada para a proteger contra o pó.

## 09 Resolução de problemas

As suspeitas de avaria podem frequentemente ser resolvidas pelos próprios utilizadores. Por esse motivo, verifique a máquina utilizando esta secção. Na maioria dos casos, o problema pode ser resolvido rapidamente.



**AVISO!** Execute apenas os passos descritos nestas instruções. Todas as outras tarefas de inspeção, manutenção e reparação têm de ser efetuadas por um centro de assistência autorizado ou um especialista igualmente qualificado caso não consiga resolver o problema sem assistência!

<b>Problema</b>	<b>Causa possível</b>	<b>Solução</b>
1. A máquina não liga.	1.1 Sem ligação à fonte de alimentação. 1.2 Cabo de alimentação ou ficha com defeito. 1.3 Outro defeito elétrico da máquina. 1.4 O bloqueio da alavanca de ativação virou para cima. 1.5 Bocal entupido. 1.6 Sobreaquecimento do motor.	1.1 Ligue a uma tomada adequada. 1.2 Contacte o centro de assistência autorizado mais próximo. 1.3 Contacte o centro de assistência autorizado mais próximo. 1.4 Virar o bloqueio da alavanca de ativação para baixo. 1.5 Desentupa o bocal utilizando a agulha de limpeza. 1.6 Desligue a máquina e retire a ficha da alimentação. Deixe-a arrefecer durante 10 minutos e volte a utilizá-la.
2. A máquina não atinge a potência total.	2.1 Prolongador não adequado à utilização com esta máquina. 2.2 A fonte de alimentação (por exemplo, um gerador) tem a tensão demasiado baixa. 2.3 Os respiradouros estão entupidos. 2.4 O volume de entrada de água é demasiado baixo. 2.5 A mangueira de alta pressão tem uma fuga. 2.6 A mangueira de jardim tem uma fuga. 2.7 O filtro de entrada está muito sujo. 2.8 Está a ser aspirado ar para dentro do sistema. 2.9 Os vedantes estão gastos.	2.1 Utilize um prolongador adequado. 2.2 A fonte de alimentação (por exemplo, um gerador) tem a tensão demasiado baixa. 2.3 Limpe os respiradouros. 2.4 Abra totalmente o fornecimento de água. 2.5 Substitua-a por uma nova mangueira de alta pressão. 2.6 Substitua-a por uma nova mangueira de jardim. 2.7 Limpe o filtro de entrada. 2.8 Verifique o aperto das conexões de mangueira. 2.9 Contacte o centro de assistência autorizado mais próximo.

<b>Problema</b>	<b>Causa possível</b>	<b>Solução</b>
3. A ligação/a máquina tem uma fuga.	<p>3.1 A mangueira de alta pressão tem uma fuga.</p> <p>3.2 A mangueira de jardim tem uma fuga.</p> <p>3.3 O O-ring no adaptador da mangueira de entrada de água está partido.</p> <p>3.4 Os vedantes estão gastos.</p>	<p>3.1 Substitua-a por uma nova mangueira de alta pressão.</p> <p>3.2 Substitua-a por uma nova mangueira de jardim.</p> <p>3.3 Substitua o adaptador da mangueira de entrada de água por um novo.</p> <p>3.4 Contacte o centro de assistência autorizado mais próximo.</p>
4. Flutuações de pressão acentuadas.	<p>4.1 Bocal entupido.</p> <p>4.2 O volume de entrada de água é demasiado baixo.</p> <p>4.3 A mangueira de alta pressão tem uma fuga.</p> <p>4.4 A mangueira de jardim tem uma fuga.</p> <p>4.5 O filtro de entrada está muito sujo.</p> <p>4.6 Está a ser aspirado ar para dentro do sistema.</p> <p>4.7 Os vedantes estão gastos.</p>	<p>4.1 Desentupa o bocal utilizando a agulha de limpeza.</p> <p>4.2 Abra totalmente o fornecimento de água.</p> <p>4.3 Substitua-a por uma nova mangueira de alta pressão.</p> <p>4.4 Substitua-a por uma nova mangueira de jardim.</p> <p>4.5 Limpe o filtro de entrada.</p> <p>4.6 Verifique o aperto das conexões de mangueira.</p> <p>4.7 Contacte o centro de assistência autorizado mais próximo.</p>
5. Vibração/ ruído excessivos	<p>5.1 Parafusos e porcas soltos.</p> <p>5.2 Motor danificado.</p> <p>5.3 O volume de entrada de água é demasiado baixo.</p>	<p>5.1 Verifique o aperto dos fixadores. Reaperte-os conforme necessário.</p> <p>5.2 Contacte o centro de assistência autorizado mais próximo.</p> <p>5.3 Abra totalmente o fornecimento de água.</p>

<b>Problema</b>	<b>Causa possível</b>	<b>Solução</b>
6. Sem entrada de detergente.	6.1 Detergente demasiado denso.	6.1 Dilua com água.
	6.2 Depósitos ou restrição no circuito de detergente.	6.2 Lave com água limpa e elimine quaisquer restrições. Se o problema persistir, contacte um centro de assistência técnica autorizado.
7. Sem jato de água	7.1 Não existe fornecimento de água.	7.1 Verifique o fornecimento de água.
	7.2 O filtro de entrada está muito sujo.	7.2 Limpe o filtro de entrada.
	7.3 Mangueiras entupidas.	7.3 Limpe as mangueiras.
	7.4 Bocal entupido.	7.4 Desentupa o bocal utilizando a agulha de limpeza.

## Reciclagem e eliminação



Os resíduos de produtos elétricos não devem ser eliminados com o lixo doméstico. Recicle nas instalações adequadas, sempre que existentes.

Informe-se sobre a reciclagem junto às autoridades ou loja locais.

A máquina é fornecida com uma embalagem que a protege contra danos durante o envio. Conserve a embalagem até ter a certeza de que todas as peças foram fornecidas e que a máquina funciona corretamente. Depois, recicle a embalagem.





## Garantia

Empenhamo-nos especialmente na seleção cuidada de materiais de elevada qualidade e utilizamos técnicas de fabrico que nos permitem criar produtos que incorporam design e durabilidade. Este produto tem uma garantia do fabricante de 3 anos contra defeitos de fabrico, a partir da data de compra (se comprado na loja) ou data de entrega (se comprado online), sem custo adicional para uso doméstico normal (não profissional ou comercial).

Para apresentar uma reclamação ao abrigo desta garantia, é necessário apresentar a prova de compra (tal como um recibo, uma fatura de compra ou outra prova admissível em conformidade com a lei em vigor). Mantenha o comprovativo de compra num lugar seguro. Para esta garantia se aplicar, o produto comprado tem de ser novo; não se aplica a produtos em segunda mão ou a produtos de exibição. Salvo disposição em contrário na lei em vigor, a garantia de qualquer produto de substituição expira no final do período da garantia do produto original.

Esta garantia cobre defeitos e falhas de produto, desde que o produto tenha sido utilizado para o fim a que se destina e tenha sido sujeito à instalação, limpeza, manutenção e a cuidados de acordo com as informações contidas nestes termos e condições, no manual do utilizador e na prática padrão, desde que a mesma não contrarie o manual de utilizador.

Esta garantia não cobre defeitos e danos causados pelo desgaste normal, nem danos que possam resultar de utilização indevida, instalação ou montagem incorreta, negligência, acidentes, utilizações indevidas ou modificações do produto. Salvo disposição em contrário na lei em vigor, esta garantia não abrange, em caso algum, custos auxiliares (expedição, deslocação, custos de desinstalação e reinstalação, mão-de-obra, etc), ou danos diretos e indiretos.

Se o produto apresentar algum defeito, iremos, dentro de um prazo razoável, substituir.

Os direitos no âmbito desta garantia têm força executiva no país onde adquiriu este produto. As questões relativas à garantia devem ser esclarecidas na loja onde adquiriu o produto. A garantia complementa e não afeta os seus direitos legais.

Se adquiriu este produto em Portugal - o distribuidor é responsável por quaisquer defeitos de conformidade do produto de acordo com os termos da lei relativa a garantias (Decreto-Lei N.º 67/2003), aditada pelo Decreto-Lei N.º 84/2008.



## Declaration of conformity



(EN) EU DECLARATION OF CONFORMITY  
(FR) DÉCLARATION UE DE CONFORMITÉ  
(PL) DEKLARACJA ZGODNOŚCI UE  
(RO) DECLARAȚIA DE CONFORMITATE UE  
(ES) DECLARACIÓN UE DE CONFORMIDAD  
(PT) DECLARAÇÃO DE CONFORMIDADE UE

Product/ Produit/ Produkt/Produsul/Producto/Producto		
<ul style="list-style-type: none"><li>&gt; Product name – High Pressure Washer/ Nettoyeur haute pression/ Myjka ciśnieniowa/ Aparat de spălat cu înaltă presiune/ Hochdruckreiniger/ Hidrolimpiadora de alta presión/ Lavadora a alta pressão</li><li>&gt; Product model – EBPW3000</li><li>&gt; Type / batch or serial number range 000001 to 999999</li></ul>		
Name and address of the manufacturer or his authorised representative: Nom et adresse du fabricant ou de son mandataire: Nazwa i adres producenta lub jego upoważnionego przedstawiciela: Denumirea și adresa producătorului sau a reprezentantului său autorizat: Nombre y dirección del fabricante o de su representante autorizado: Nome e endereço do fabricante ou do respetivo mandatário:		
Kingfisher International Products B.V., Rapenburgerstraat 175E, 1011 VM Amsterdam, The Netherlands		
This declaration of conformity is issued under the sole responsibility of the manufacturer. La présente déclaration de conformité est établie sous la seule responsabilité du fabricant. Niniejsza deklaracja zgodności wydana zostaje na wyłączną odpowiedzialność producenta. Prezenta declarație de conformitate este emisă pe răspunderea exclusivă a producătorului. La presente declaración de conformidad se expide bajo la exclusiva responsabilidad del fabricante. A presente declaração de conformidade é emitida sob a exclusiva responsabilidade do fabricante.		
Object of the declaration/Objet de la declaration/Przedmiot deklaracji/Obiectul declarației/Objeto de la declaración/Objeto da declaração		
<b>Product/Produit/Produkt/ Produsul/Producto/ Produto</b>	<b>Model/Modèle/Model/Modelul/ Modelo/ Modelo</b>	<b>EAN</b>
High Pressure Washer/ Nettoyeur haute pression/ Myjka ciśnieniowa/ Aparat de spălat cu înaltă presiune/ Hochdruckreiniger/ Hidrolimpiadora de alta presión/ Lavadora a alta pressão	EBPW3000	EU : 5063022018915 UK : 5063022018892

The object of the declaration described above is in conformity with the relevant Union harmonisation legislation:

L'objet de la déclaration décrit ci-dessus est conforme à la législation d'harmonisation de l'Union applicable:

Wymieniony powyżej przedmiot niniejszej deklaracji jest zgodny z odnośnymi wymaganiami unijnego prawodawstwa harmonizacyjnego:

Obiectul declarației descris mai sus este în conformitate cu legislația relevantă de armonizare a Uniunii:

El objeto de la declaración descrita anteriormente es conforme con la legislación de armonización pertinente de la Unión:

O objeto da declaração acima descrito está em conformidade com a legislação de harmonização da União aplicável:

2006/42/EC as amended	Machinery Directive
2014/30/EU as amended	Directive Electromagnetic compatibility
2000/14/EC as amended	Outdoor Noise Directive
2011/65/EU as amended	Directive Restriction of the use of certain hazardous substances in electrical and electronic equipment
Directive 2006/42/CE relative aux machines	
2014/30 / UE telle que modifiée Directive Compatibilité électromagnétique	
Directive 2000/14/CE relative aux émissions sonores extérieures	
Directive 2011/65/UE relative à la limitation de l'utilisation de certaines substances dangereuses dans les équipements électriques et électroniques	
2006/42/WE w zmienionej dyrektywie maszynowej	
2014/30 / UE ze zmianami Dyrektywa Kompatybilność elektromagnetyczna	
2000/14/WE w zmienionej dyrektywie w sprawie hałasu na zewnątrz	
2011/65 / UE ze zmianami Dyrektywa Ograniczenie stosowania niektórych niebezpiecznych substancji w sprzęcie elektrycznym i elektronicznym	
2006/42/CE, astfel a fost modificată Directiva privind echipamentele	
2014/30/UE, astfel a fost modificată Directiva privind compatibilitatea electromagnetică	
2000/14/CE, astfel a fost modificată Directiva privind zgomotul în aer liber	
2011/65/UE, astfel a fost modificată Directiva privind limitarea utilizării anumitor substanțe periculoase în echipamentele electrice și electronice	
Directiva sobre maquinaria modificada 2006/42/CE	
2014/30/UE modificada Directiva Compatibilidad electromagnética	
2000/14/CE modificada Directiva sobre ruido al aire libre	
2011/65/UE modificada Directiva Restricción del uso de determinadas sustancias peligrosas en equipos eléctricos y electrónicos	
2006/42/CE como diretiva de máquinas alteradas	
2014/30/UE como alteração da compatibilidade eletromagnética	
2000/14/CE como diretiva de ruído exterior alterada	
2011/65/UE como restrição diretiva alterada da utilização de certas substâncias perigosas em equipamentos elétricos e eletrônicos	

**Measured Sound Power Level**  
**Le niveau de puissance acoustique mesuré**  
**Zmierzony poziom mocy akustycznej**  
**Nivel de putere acustică măsurat**  
**Nível de potencia sonora medido**  
**Nível de potência sonora medido**  
**: 93 dB(A)**

**Guaranteed Sound Power Level**  
**Le niveau de puissance acoustique garant**  
**Gwarantowany poziom mocy akustycznej**  
**Nivel de putere acustică garantat**  
**Nível de potencia sonora garantizado**  
**Nível de potência sonora garantido**  
**: 96 dB(A)**

References to the relevant harmonised standards used or references to the other technical specifications in relation to which conformity is declared:

Références des normes harmonisées pertinentes appliquées, y compris la date de celles-ci, ou des autres spécifications techniques, y compris la date de celles-ci, par rapport auxquelles la conformité est déclarée:

Odwolania do odnośnych norm zharmonizowanych, które zastosowano, wraz z datą normy, lub do innych specyfikacji technicznych, wraz z datą specyfikacji, w odniesieniu do których deklarowana jest zgodność:

Trimiteri la standardele armonizate relevante folosite, inclusiv data standardului, sau trimeri la celelalte specificații tehnice, inclusiv data specificațiilor, în legătură cu care se declară conformitatea:

Referencias a las normas armonizadas pertinentes utilizadas, incluidas las fechas de las normas, o referencias a las otras especificaciones técnicas, incluidas las fechas de las especificaciones, respecto a las cuales se declara la conformidad:

Referências às normas harmonizadas aplicáveis utilizadas, incluindo a data da norma, ou às outras especificações técnicas, incluindo a data da especificação, em relação às quais é declarada a conformidade:

EN 60335-1:2012/A15:2021

EN 60335-2-79: 2012

EN 62233:2008

EN 55014-1:2017/A11:2020

EN 55014-2:1997/A2:2008

EN 61000-3-2:2014

EN 61000-3-3:2013

EN IEC 55014-1:2021

EN IEC 55014-2:2021

EN IEC 61000-3-2:2019/A1:2021

EN IEC 61000-3-11:2019

EN ISO 3744:1995

Authorised signatory and technical file holder/signataire et responsable de la documentation technique  
autorisé/ podmiot uprawniony do wystawienia i adres prezechowywania dokumentacji technicznej/  
semnatar autorizat și deținător al dosarului tehnic/firmante autorizado y titular del expediente tecnico/  
signatário autorizado e detentor da ficha técnica

Kingfisher International Products B.V.,  
Rapenburgerstraat 175E,  
1011 VM Amsterdam,  
The Netherlands



David Awe  
Group Quality Director

[30/10/2022]

# Erbauer®


**Manufacturer, Fabricant, Prodecent,  
Producător, Fabricante:**

**UK Manufacturer:**

Kingfisher International Products Limited  
1 Paddington Square, London, W2 1GG,  
United Kingdom

**EU Manufacturer:**

Kingfisher International Products B.V.  
Rapenburgerstraat 175E 1011 VM Amsterdam  
The Netherlands

 [www.bricodepot.pt](http://www.bricodepot.pt)

Para consultar manuais de instruções online,  
visite [www.kingfisher.com/products](http://www.kingfisher.com/products)