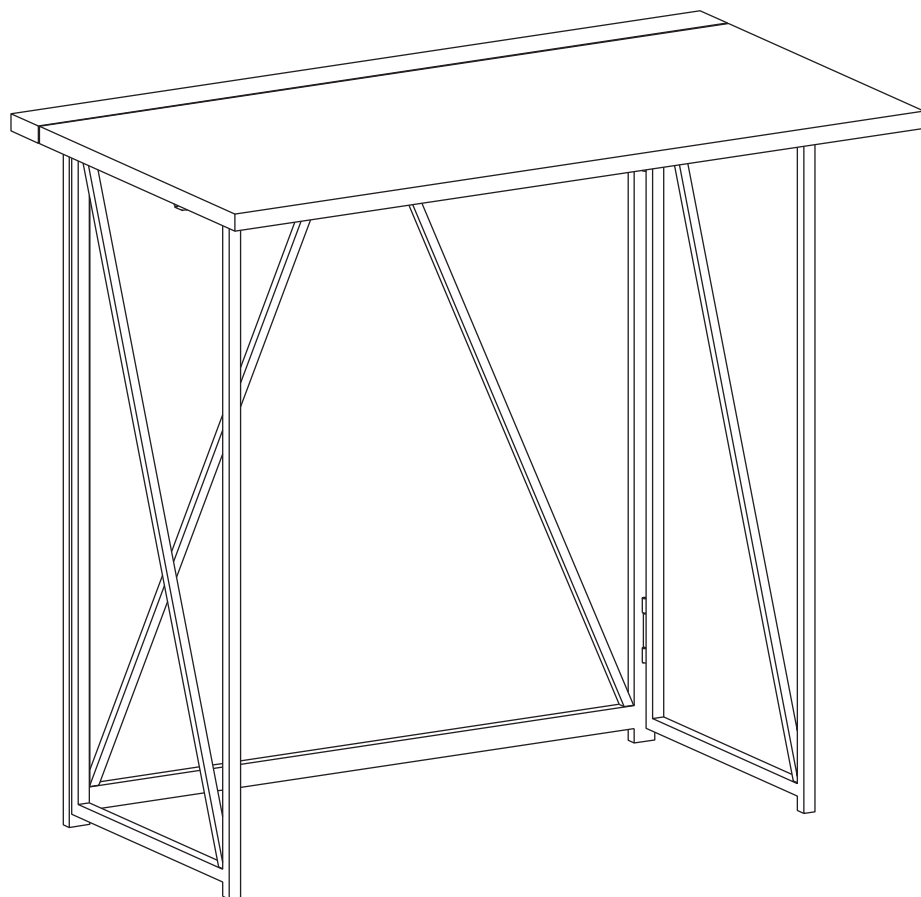


# EN Seponi Desk



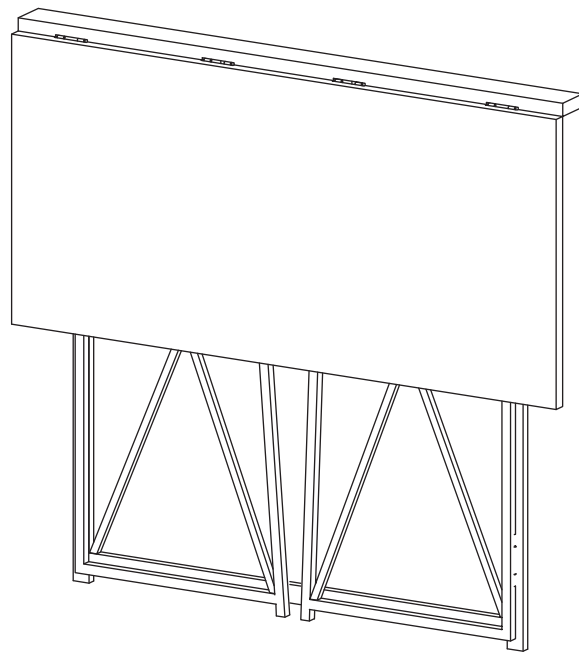
**EN IMPORTANT** - These instructions are for your safety. Please read through them thoroughly prior to handling the product and retain them for future reference.

V10724\_5063022508164\_MAND2\_2324

5063022508164

## EN Parts

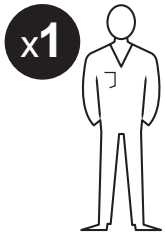
---



01. x1

## EN You will need

---



## EN Contents

<b>EN</b>	
<b>Safety</b>	3
<b>Guarantee</b>	3
<b>Installation</b>	4
<b>Care &amp; maintenance</b>	7



## EN Before you start

- Check the pack and make sure that you have all parts listed above. If not contact your local store who will be able to help you.
- When you are ready to start, make sure that you have the right tools on hand, plenty of space and a clean dry area for furniture assembly.

## Safety

- For domestic use only.
- This product comes fully assembled, before using please ensure that all components and fixings are secure.
- Take care when opening and closing this product and keep hands away from the folding mechanisms to prevent fingers being trapped and pinched.
- Always use on firm level ground.
- Periodic structural checks of this product should be undertaken, do not use if you have any doubts about its fitness for purpose.
- Do not sit or stand on the tabletop.
- Do not let children play with this product.
- Maximum load is 60 kg.

## Guarantee

We take special care to select high quality materials and use manufacturing techniques that allow us to create products incorporating design and durability. This product has a manufacturer's guarantee of 0.5 year against manufacturing defects, from the date of purchase (if bought in store) or date of delivery (if bought online), at no additional cost for normal (non-professional or commercial) household use.

To make a claim under this guarantee, you must present your proof of purchase (such as a sales receipt, purchase invoice or other evidence admissible under applicable law), please keep your proof of purchase in a safe place. For this guarantee to apply, the product you purchased must be new, it will not apply to second hand or display products. Unless stated otherwise by applicable law, any replacement product issued under this guarantee will only be guaranteed until expiry of the original period guarantee period.

This guarantee covers product failures and malfunctions provided the product was used for the purpose for which it is intended and subject to installation, cleaning, care and maintenance in accordance with the information contained in these terms and conditions, in the user manual and standard practice, provided that standard practice does not conflict with the user manual.

This guarantee does not cover defects and damage caused by normal wear and tear or damage that could be the result of improper use, faulty installation or assembly, neglect, accident, misuse, or modification of the product. Unless stated otherwise by applicable law, this guarantee will not cover, in any case, ancillary costs (shipping, movement, costs of uninstalling and reinstalling, labour etc), or direct and indirect damage.

If the product is defective, we will, within a reasonable time, refund.

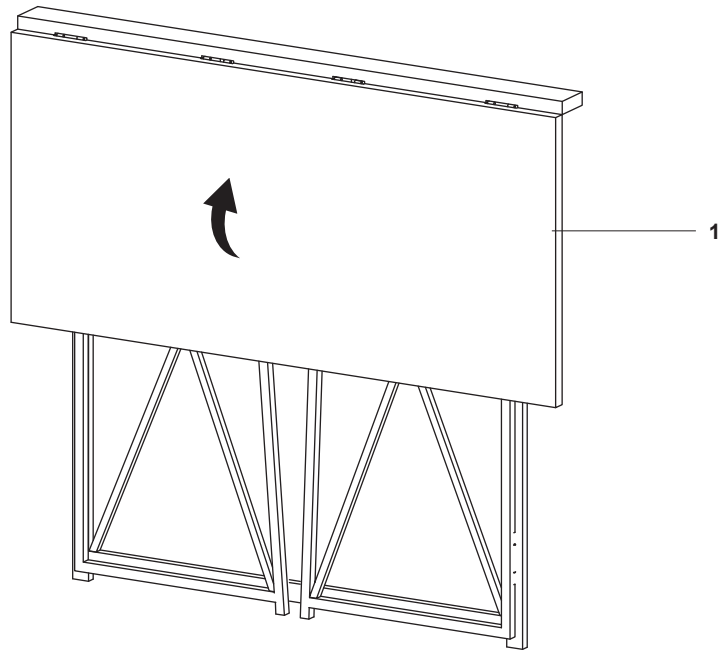
Rights under this guarantee are enforceable in the country in which you purchased this product. Guarantee related queries should be addressed to the store you purchased this product from.

The guarantee is in addition to and does not affect your statutory rights.

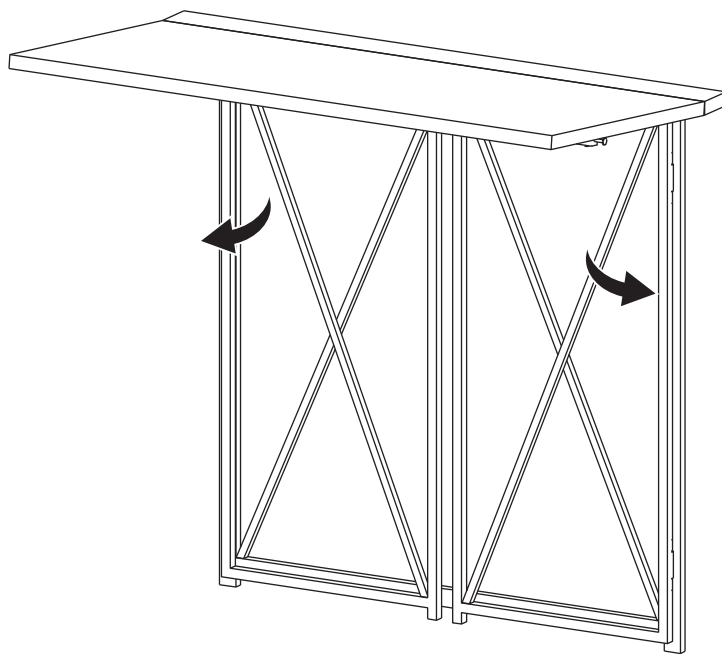
**IMPORTANT - RETAIN THIS INFORMATION  
FOR FUTURE REFERENCE: READ CAREFULLY**

---

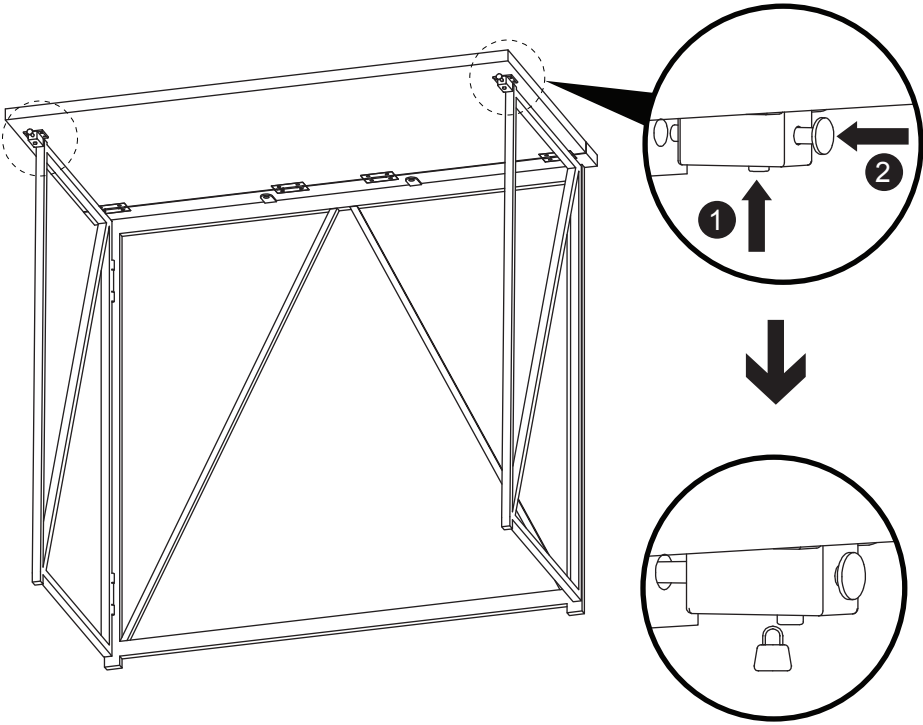
# 01



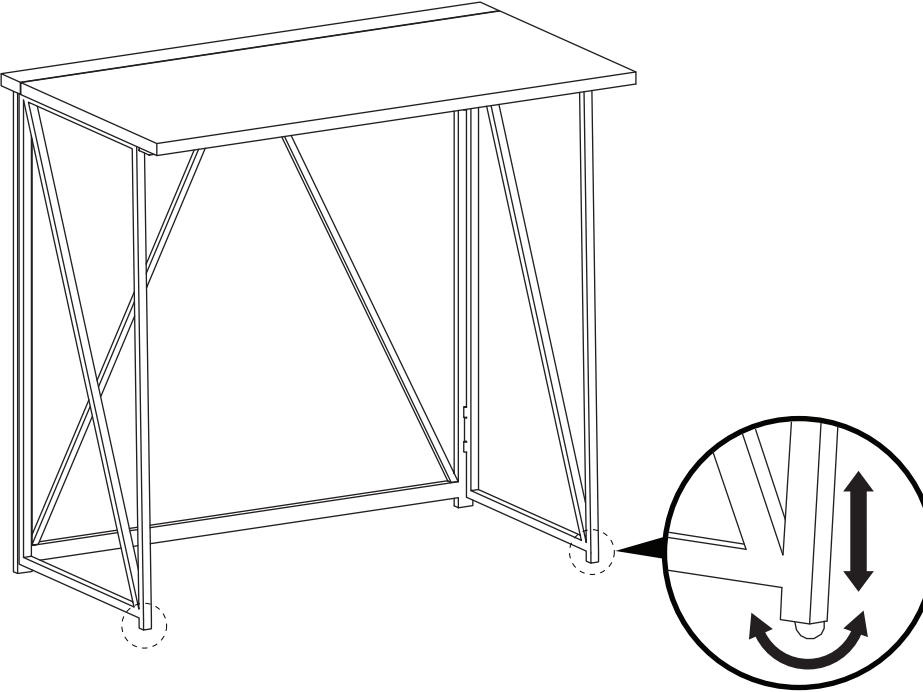
# 02



# 03

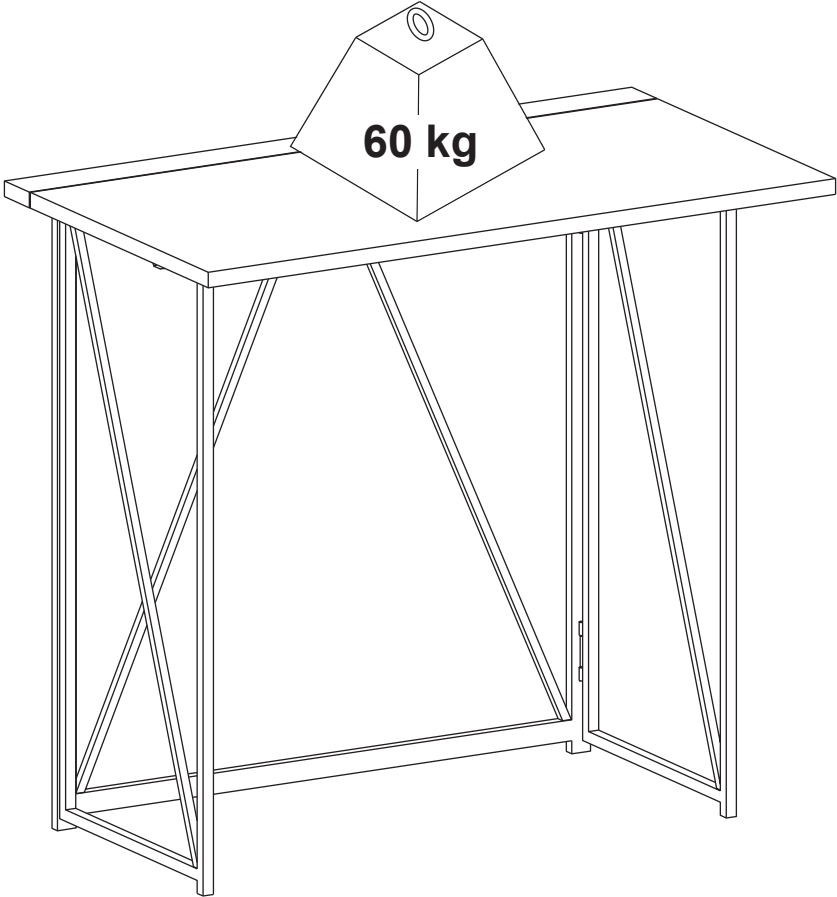


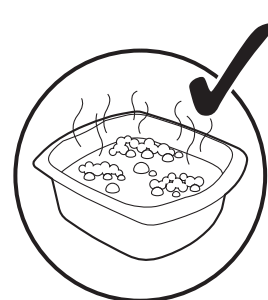
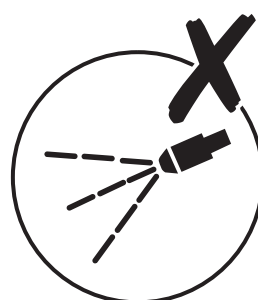
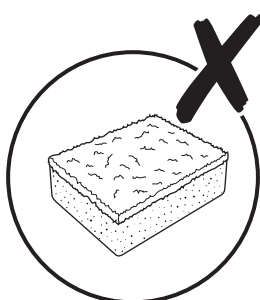
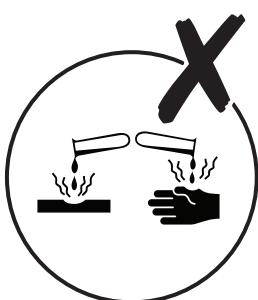
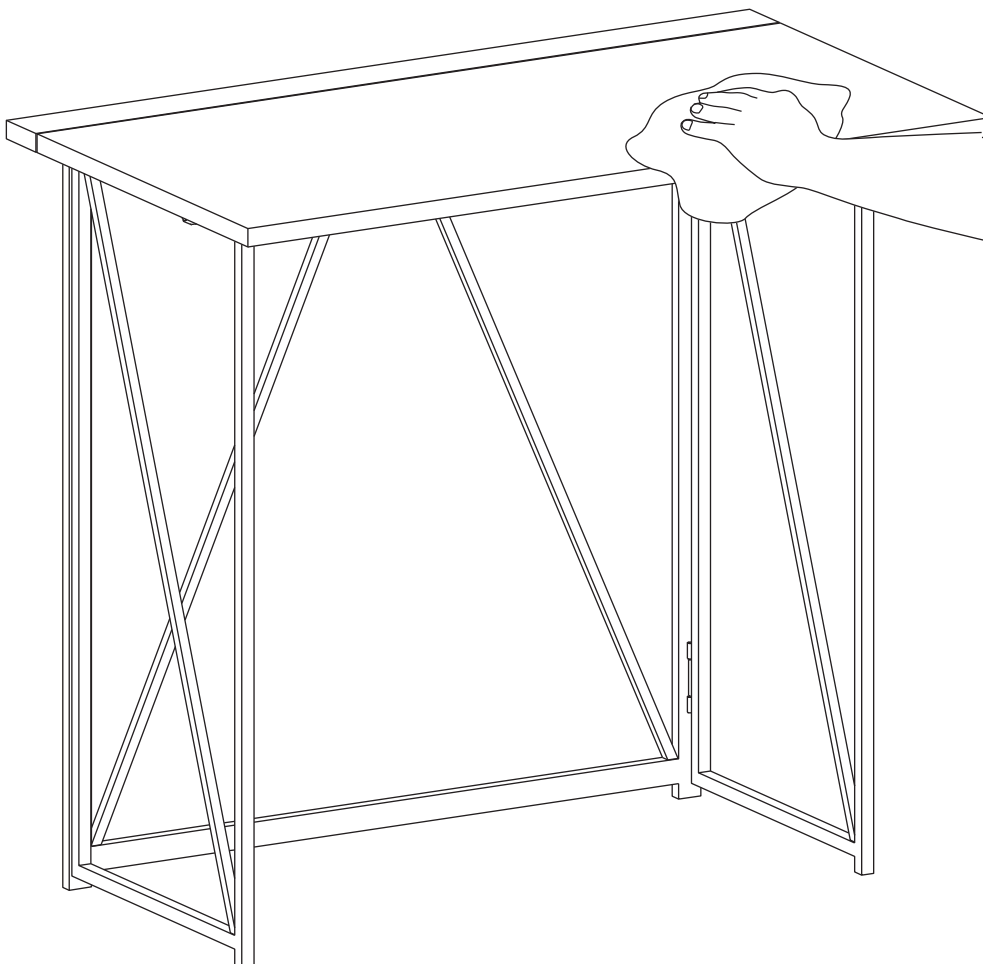
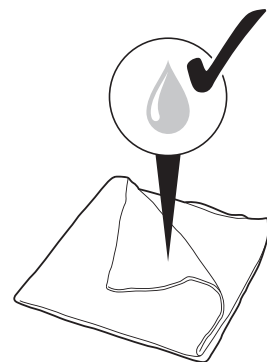
# 04



# 05

---





**Manufacturer:**  
**UK Manufacturer:**  
Kingfisher International Products Limited,  
1 Paddington Square, London, W2 1GG,  
United Kingdom

**EU Manufacturer:**  
Kingfisher International Products B.V.,  
Rapenburgerstraat 175E,  
1011 VM Amsterdam,  
The Netherlands

**EN** [www.diy.com](http://www.diy.com)  
[www.screwfix.com](http://www.screwfix.com)  
[www.screwfix.ie](http://www.screwfix.ie)  
**To view instruction manuals online,**  
**visit [www.kingfisher.com/products](http://www.kingfisher.com/products)**