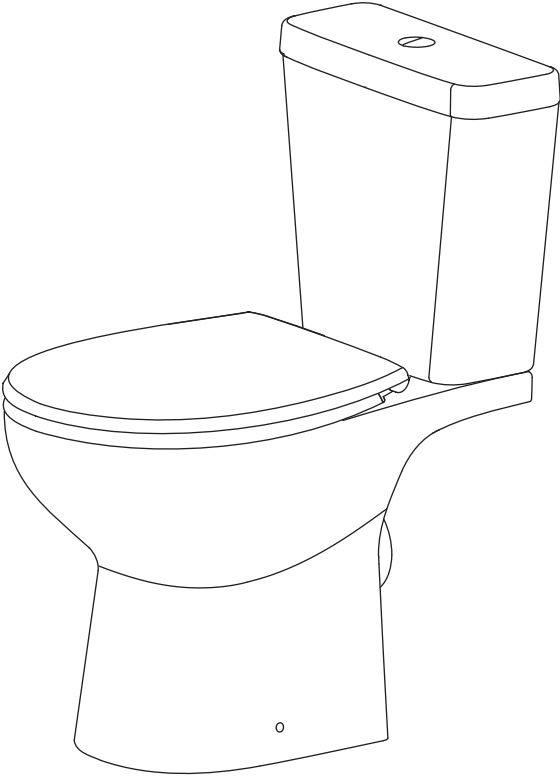


EN Rimless compact close-coupled toilet



EN IMPORTANT - These instructions are for your safety. Please read through them thoroughly prior to handling the product and retain them for future reference.

V11224_5063022514882_MAND2_2324

5063022514882

EN Parts



01. x1



02. x2



03. x2



04. x2
(M6 x 65 mm)



05. x2



06. x2



07. x2
(M4.8 x 80 mm)



08. x2



10. x1



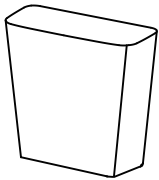
11. x1



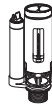
12. x1



13. x1



09. x1



14. x1



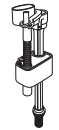
15. x1



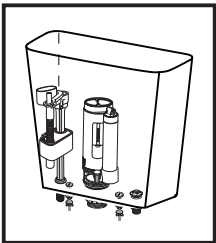
16. x1



17. x1



18. x1



19. x1



20. x1



21. x1



22. x1



23. x1



24. x1



25. x1



26. x2



27. x2



28. x2



29. x1



30. x2
(M6 x 50 mm)



31. x2



32. x2



33. x2



34. x2

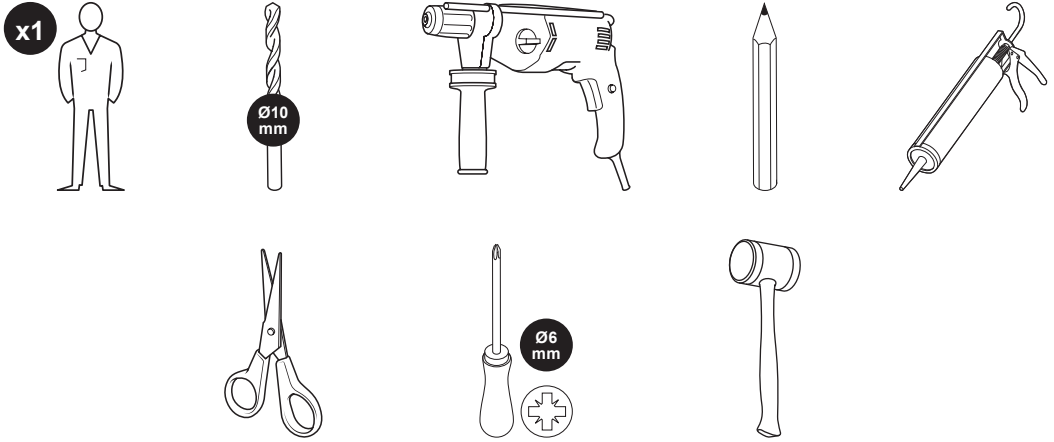


35. x2



36. x1

EN You will need



EN Contents

EN	
Safety	4
Guarantee	4
Preparation	5
Installation	6
Care & maintenance	19



EN

Before you start

- Check to make sure you have all of the parts listed.
- When you are ready to start, make sure you have the right tools to hand, plenty of space and a dry area for assembly.
- Ensure that you shut off the mains water supply completely before proceeding with the installation.
- Ensure the mounting surface is sound, clean, dry and level before this toilet is installed.
- If you are in any doubt about installing this product, consult a technically competent installer.

Safety

- For domestic use only.

⚠ CAUTION: This item is heavy and it should **ONLY** be fixed to solid masonry. The wall plugs and fixings provided are suitable for this kind of wall.

- Care should be taken when drilling into wall to avoid any hidden pipes or wires.
- When drilling through ceramic tiles use a specialist drill bit.
- Where possible drill between tiles in the grout.

⚠ CAUTION: DO NOT overtighten the fixings otherwise it may damage the product.

⚠ CAUTION: Fragile - handle the product with care. This product may cause personal injury, property damage or break easily if not handled, positioned and installed with care.

⚠ CAUTION: Always ensure the product is securely installed before use.

- Failure to follow these instructions may result in personal injury, damage to the product and property damage.

Guarantee

We take special care to select high quality materials and use manufacturing techniques that allow us to create products incorporating design and durability. This product has a manufacturer's guarantee of 10 years against manufacturing defects, from the date of purchase (if bought in store) or date of delivery (if bought online), at no additional cost for normal (non-professional or commercial) household use.

To make a claim under this guarantee, you must present your proof of purchase (such as a sales receipt, purchase invoice or other evidence admissible under applicable law), please keep your proof of purchase in a safe place. For this guarantee to apply, the product you purchased must be new, it will not apply to second hand or display products. Unless stated otherwise by applicable law, any replacement product issued under this guarantee will only be guaranteed until expiry of the original period guarantee period.

This guarantee covers product failures and malfunctions provided the product was used for the purpose for which it is intended and subject to installation, cleaning, care and maintenance in accordance with the information contained in these terms and conditions, in the user manual and standard practice, provided that standard practice does not conflict with the user manual.

This guarantee does not cover defects and damage caused by normal wear and tear or damage that could be the result of improper use, faulty installation or assembly, neglect, accident, misuse, or modification of the product. Unless stated otherwise by applicable law, this guarantee will not cover, in any case, ancillary costs (shipping, movement, costs of uninstalling and reinstalling, labour etc), or direct and indirect damage.

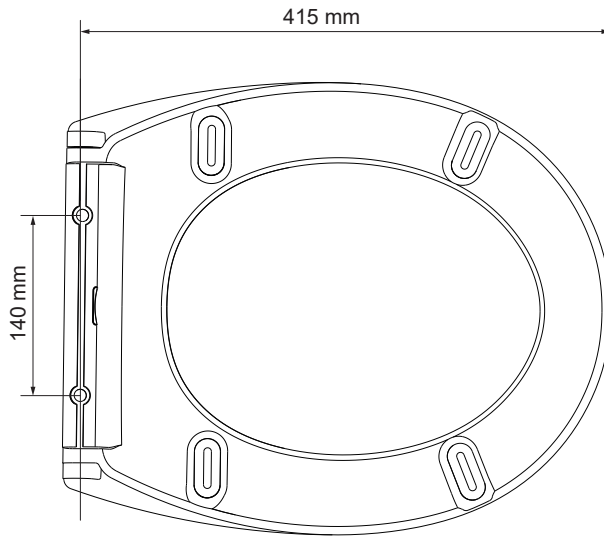
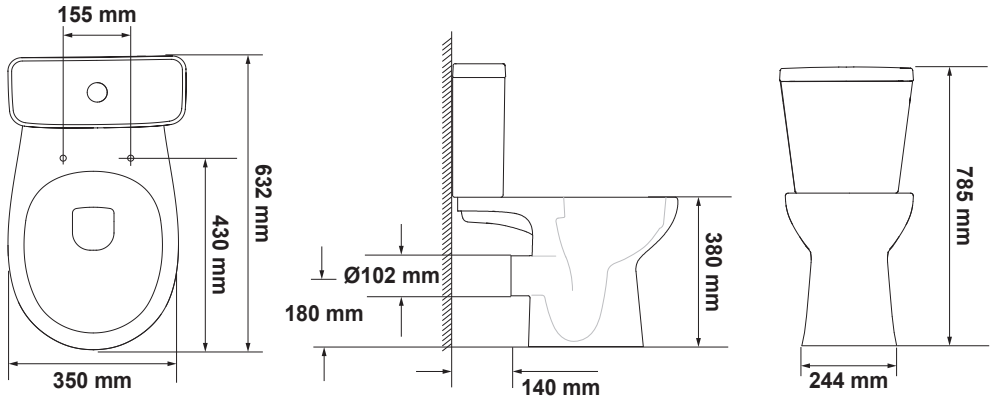
If the product is defective, we will, within a reasonable time, repair or refund.

Rights under this guarantee are enforceable in the country in which you purchased this product. Guarantee related queries should be addressed to the store you purchased this product from.

The guarantee is in addition to and does not affect your statutory rights.

IMPORTANT - RETAIN THIS INFORMATION FOR FUTURE REFERENCE: READ CAREFULLY

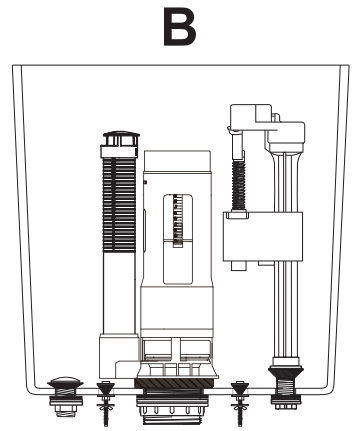
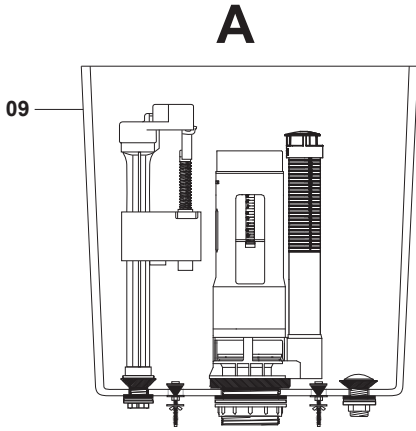
EN Preparation















01

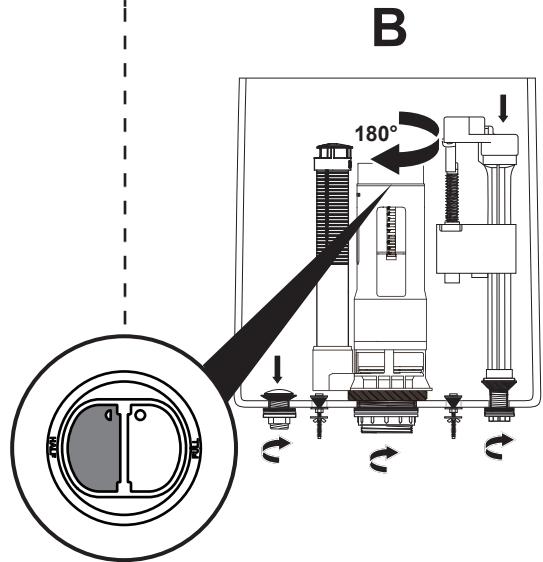
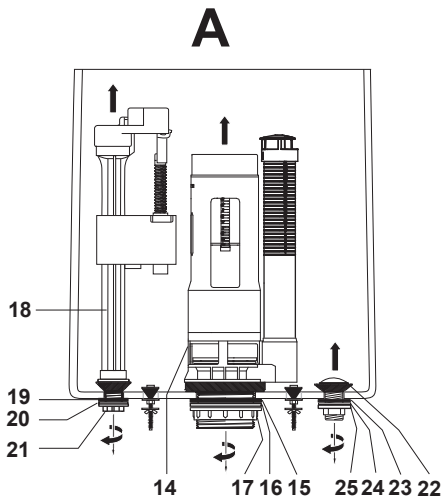


09. x1



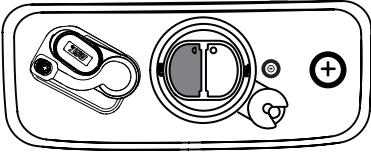
02

-  14. x1
-  15. x1
-  16. x1
-  17. x1
-  18. x1
-  19. x1
-  20. x1
-  21. x1
-  22. x1
-  23. x1
-  24. x1
-  25. x1

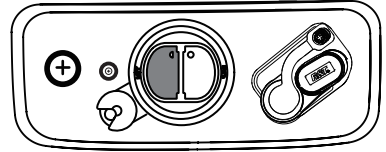


03

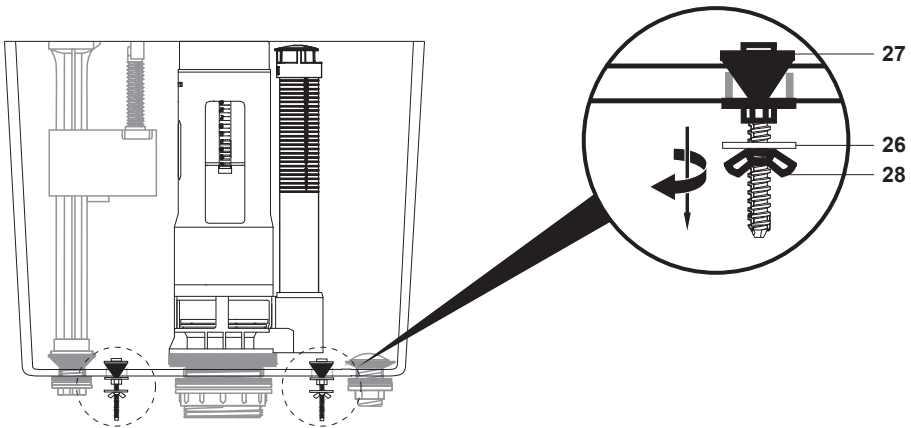
A



B



04



05



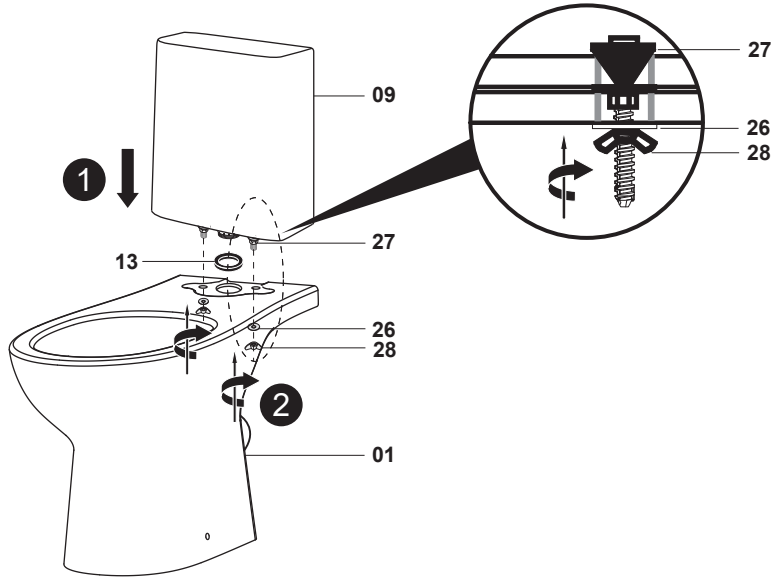
01. x1



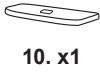
09. x1



13. x1



06



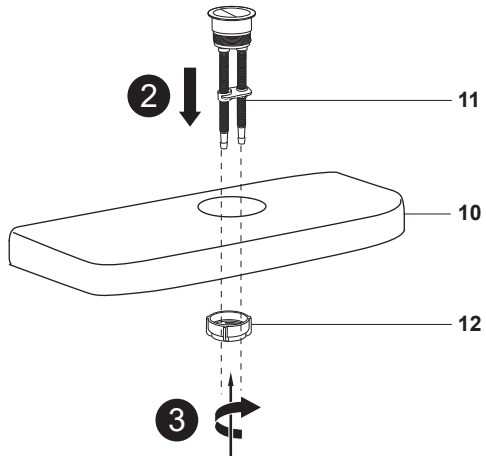
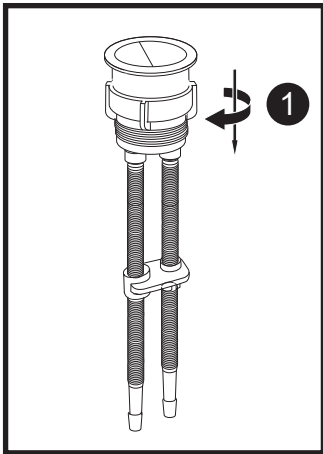
10. x1



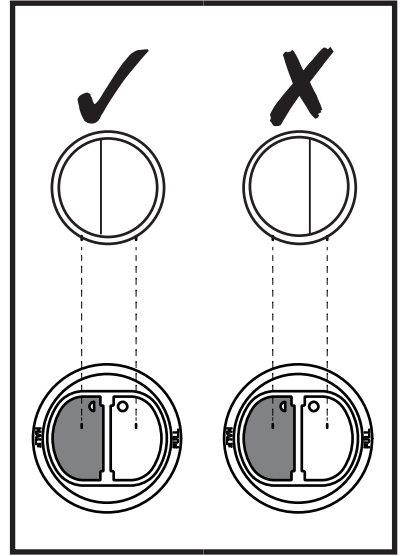
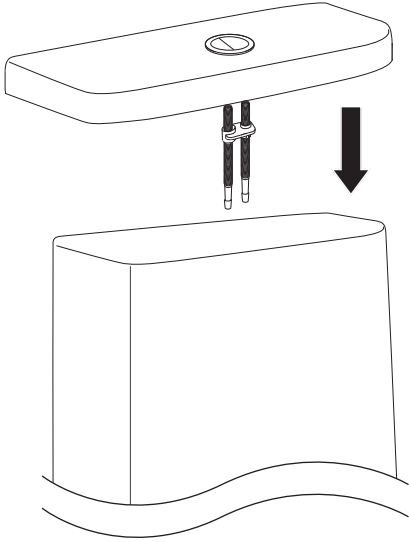
11. x1



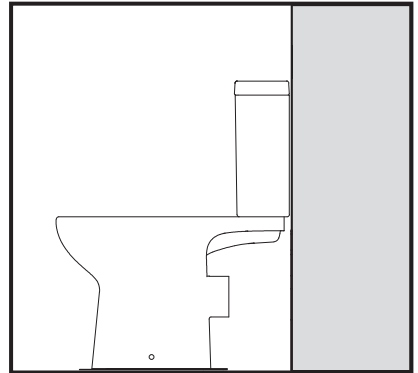
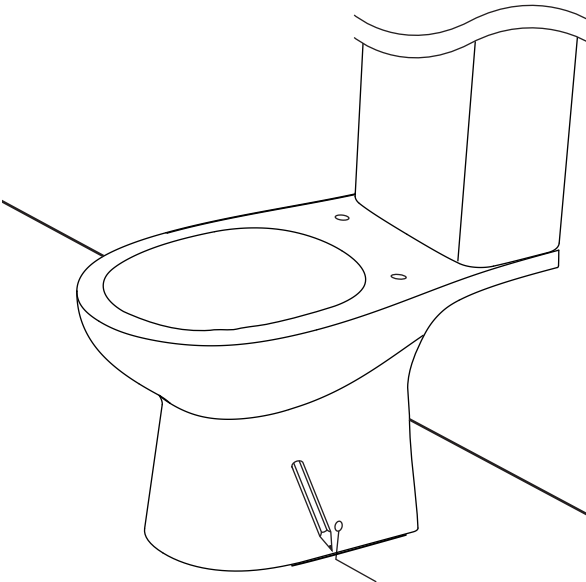
12. x1



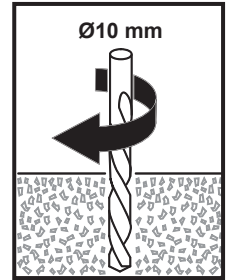
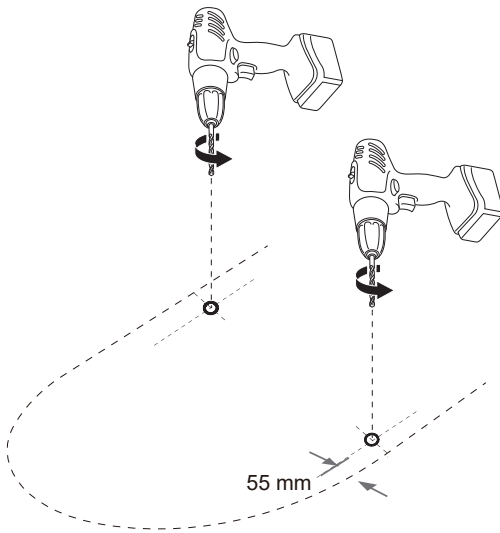
07



08

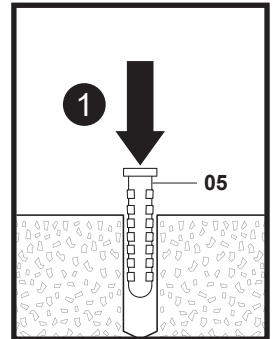
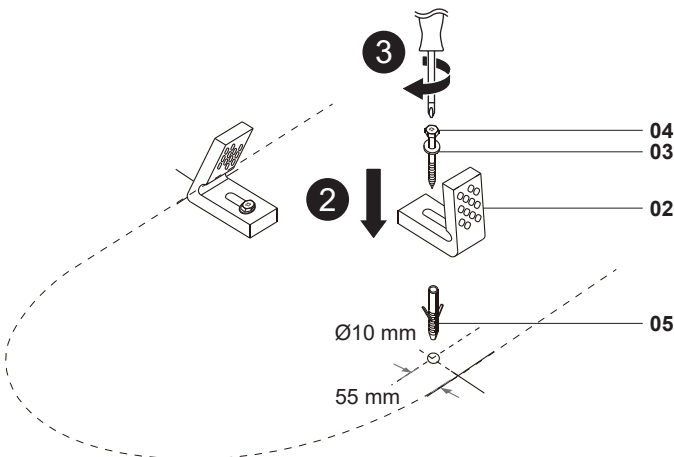


09



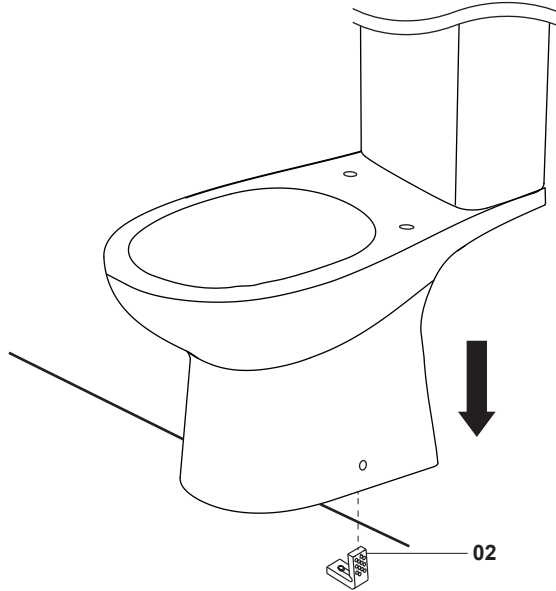
10

- 02. x2
- 03. x2
- 04. x2
- 05. x2

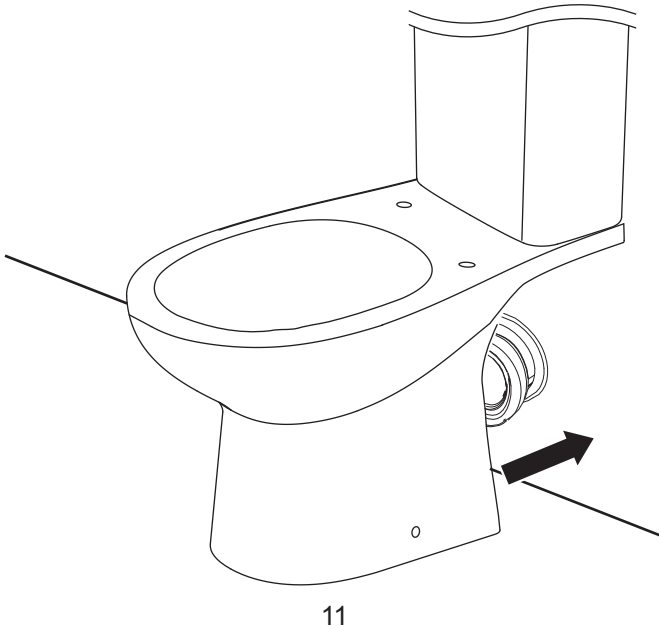


11


02. x2



12

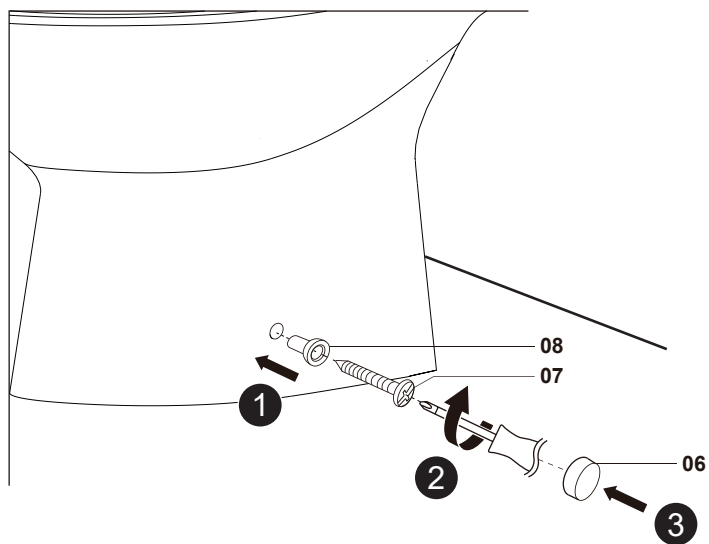


13

06. x2

07. x2

08. x2



14

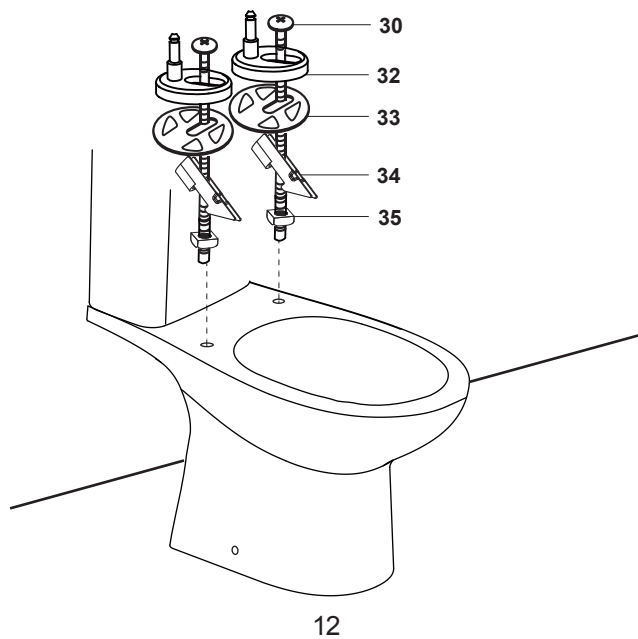
30. x2

32. x2

33. x2

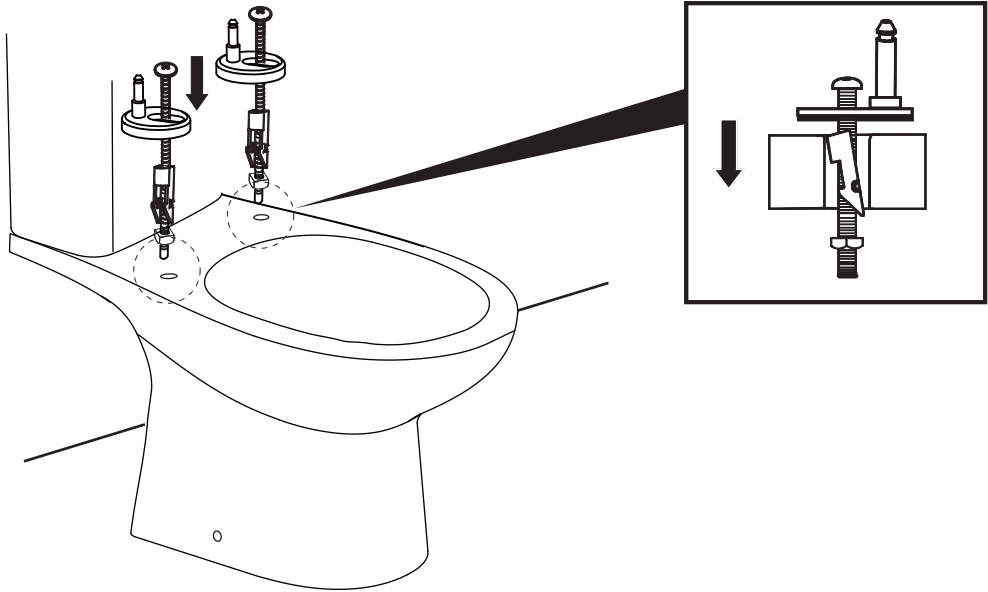
34. x2

35. x2

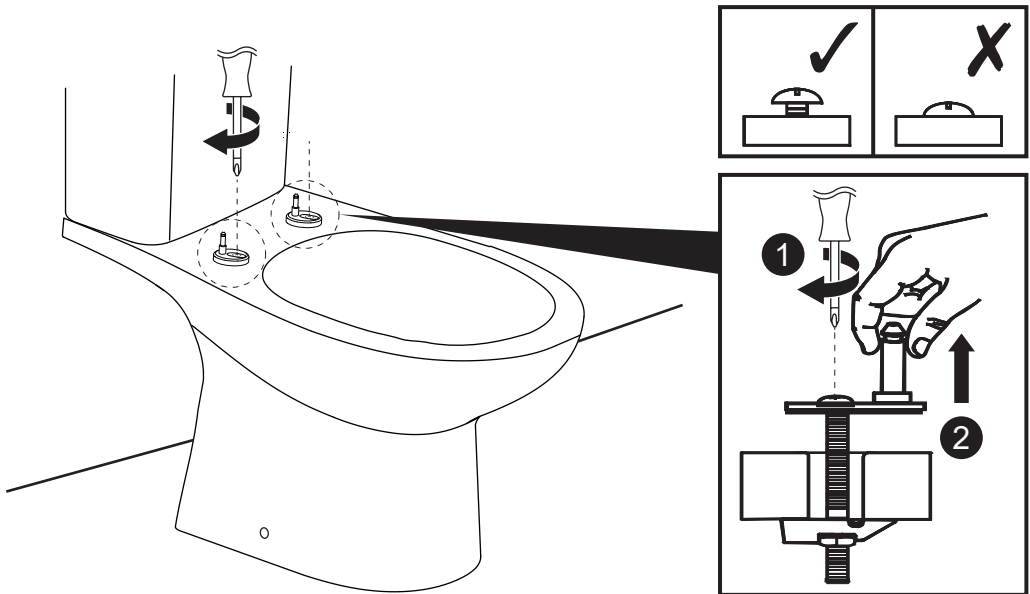


12

15



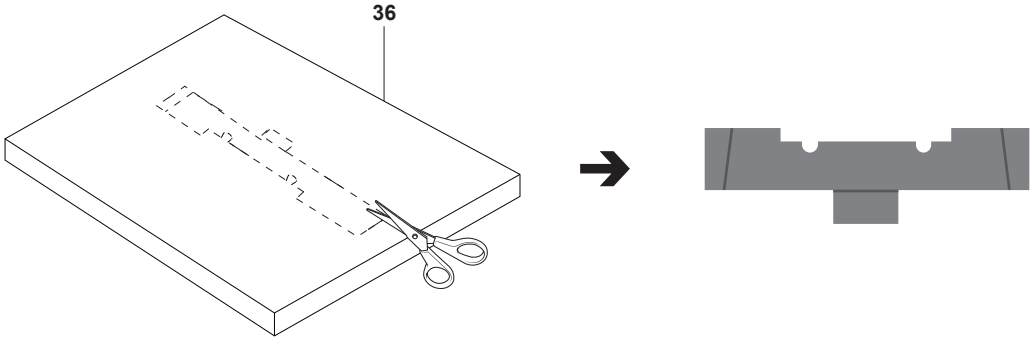
16



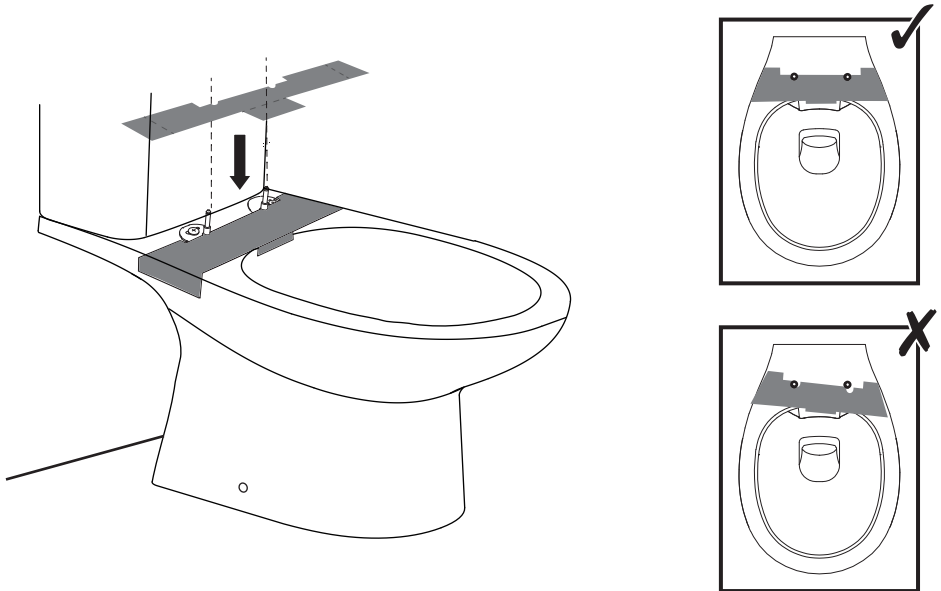
17



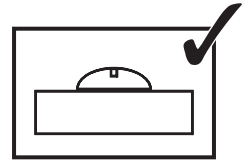
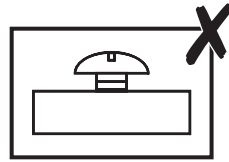
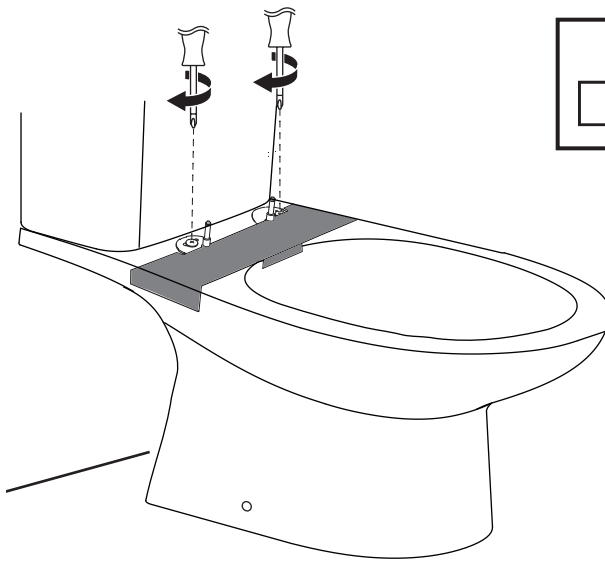
36. x1



18

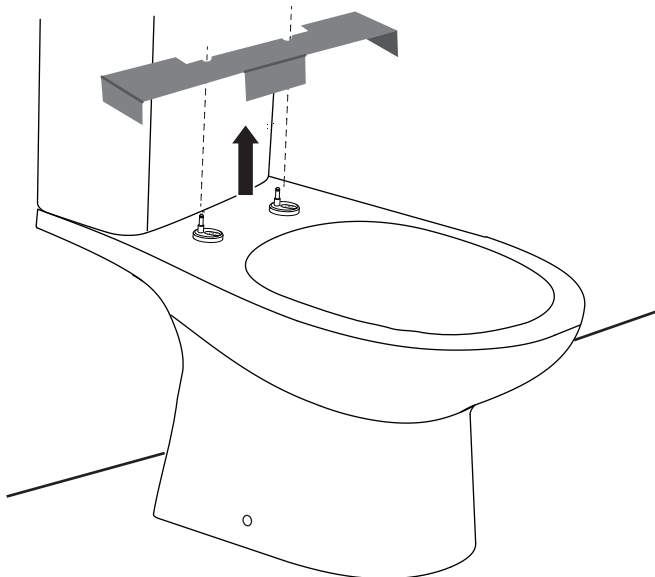


19



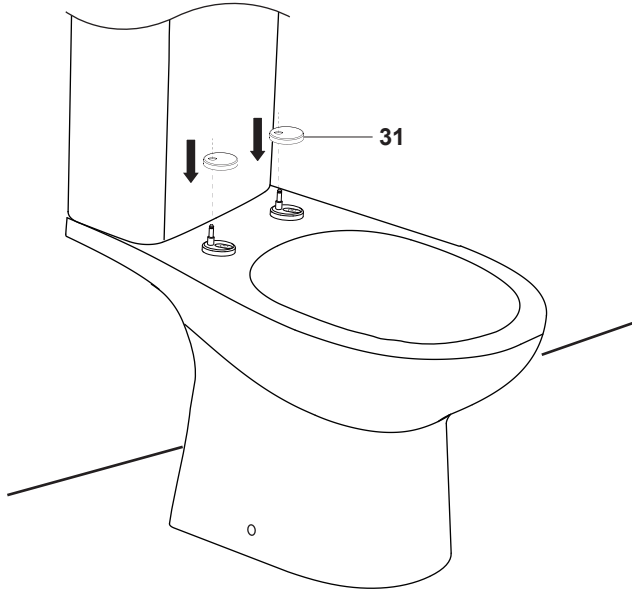
EN Screw to the end, in order to get a complete stability of seat.

20



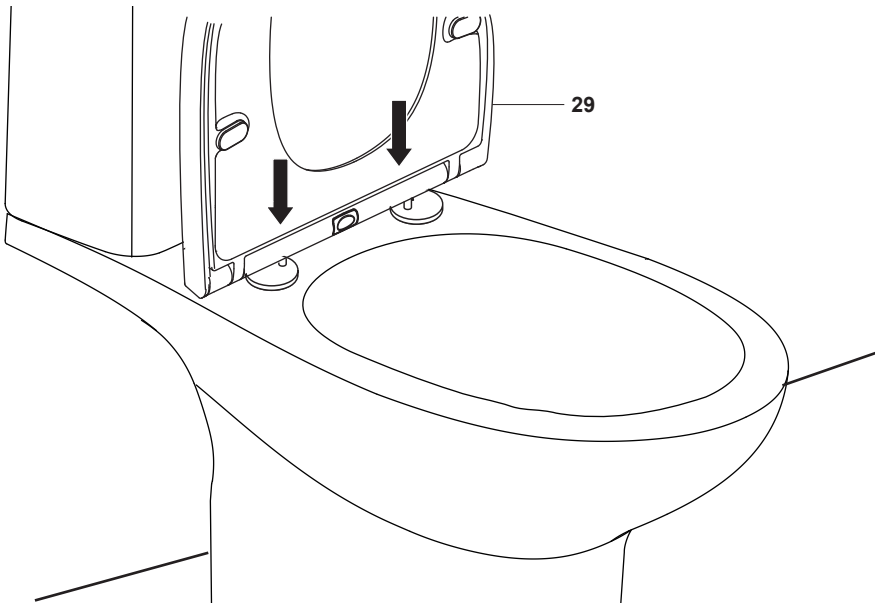
21

31. x2



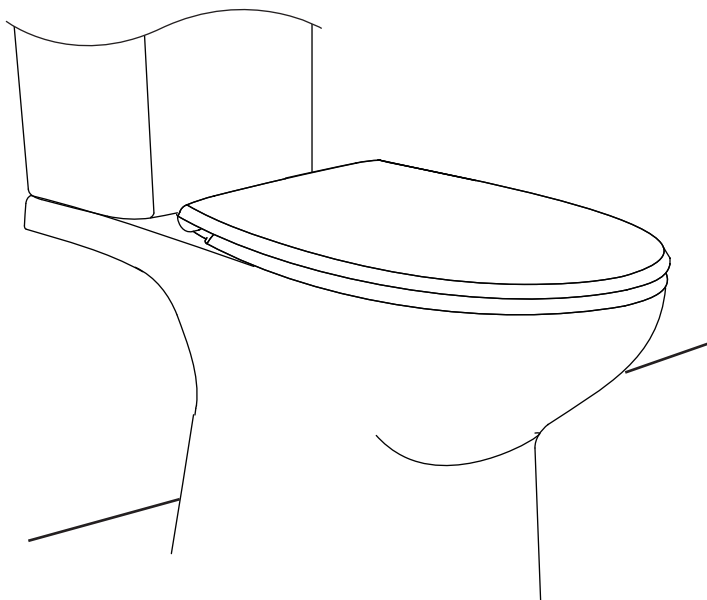
22

29. x1



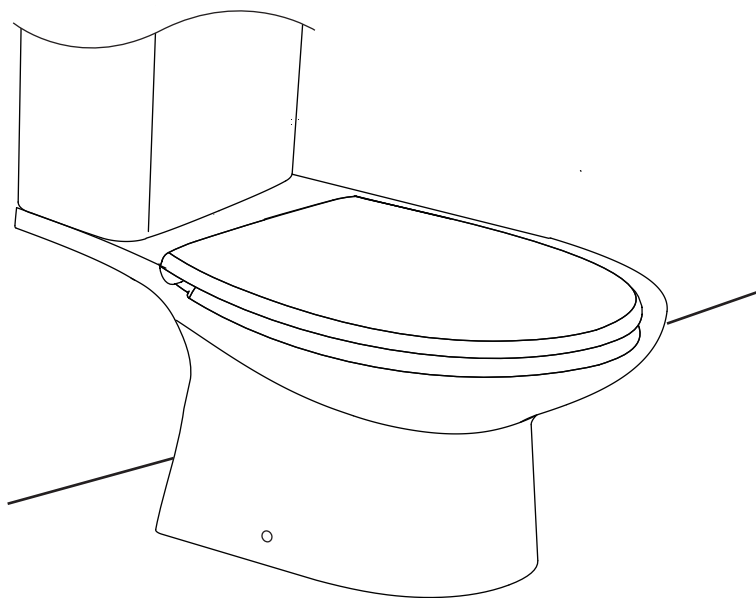
16

23



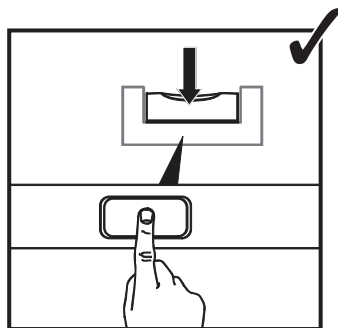
➔ 26

24



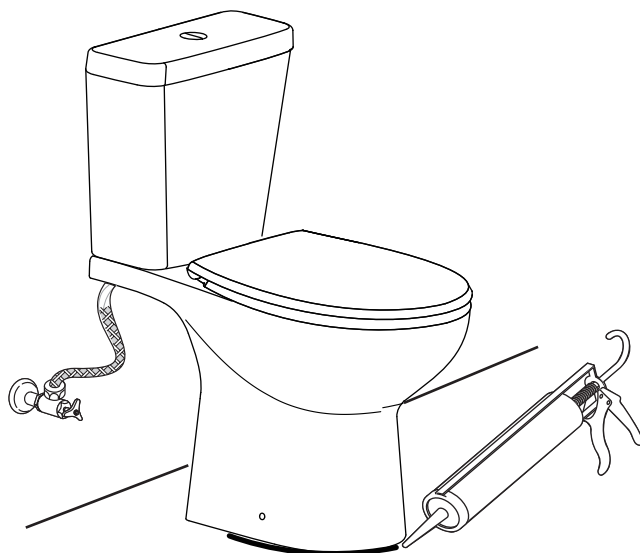
17

25



18-22 ←

26



18

EN Care and Maintenance

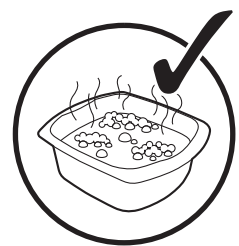
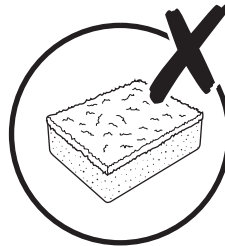
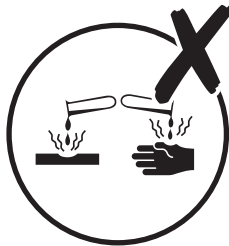
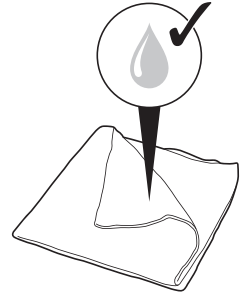
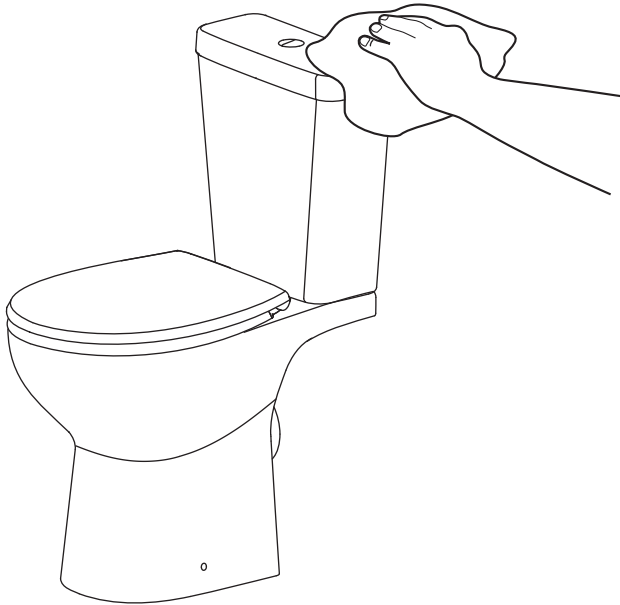
EN

- Use warm soapy water and a soft damp cloth to clean the surface of the product. Wipe dry with a clean cloth.
- To facilitate cleaning of the product, the toilet seat and cover may be removed before cleaning.
- Never use any solvents, scourers, abrasives, bleach, acids, strong detergents, aggressive chemical cleaners or solvent-type cleaning solutions on the product.
- Do not forcefully open or close the toilet seat and cover. This may cause injury or damage to the product.
- Avoid the sudden introduction of hot water to a cold toilet. This may damage the toilet.
- Never stand on the toilet rim, seat or cover. Standing on the toilet, seat or cover may result in serious product damage and personal injury.
- Lit cigarettes should not be placed on the seat or cover.
- Do not drop any hard objects on the toilet, seat or cover. Damage may result with cracks and leaks.
- If the toilet or seat is damaged and cracked discontinue use immediately and replace the unit. Failure to do so may result in serious injury or property damage.
- Before replacing the toilet seat measure the distance between the fixing holes on the toilet to ensure a suitable replacement can be identified before purchase.
- It is recommended to check the toilet seat fittings for security and tightness at regular intervals.

Troubleshooting of weak flushing	
Possible Cause	Corrective action
Clog in the waste pipe	Removed by residential toilet snake
Vent pipes are not blocked or clogged	Make sure vent pipe is blocked

Leaking	
1. Rod to push button is too long	Cut a small portion, then readjust. NOTE: cut the upper end of the rod
2. Debris in water is affecting the valve	Remove, clean and reassemble
3. The valve and base do not fit properly	Please remove and then reassemble
4. Rubber gasket does not fit properly	Adjust gasket so the flat end is seated flush with the ceramic

5. Little or no flush volume when the push button is activated	
a. Push button rods too short	Readjust length
6. Full flush or half flush water level is too high or too low	b. Readjust full flush adjustment tab and half flush float cup



Manufacturer:
UK Manufacturer:
Kingfisher International Products Limited,
1 Paddington Square, London, W2 1GG,
United Kingdom

EN www.diy.com
www.screwfix.com
www.screwfix.ie
To view instruction manuals online,
visit www.kingfisher.com/products