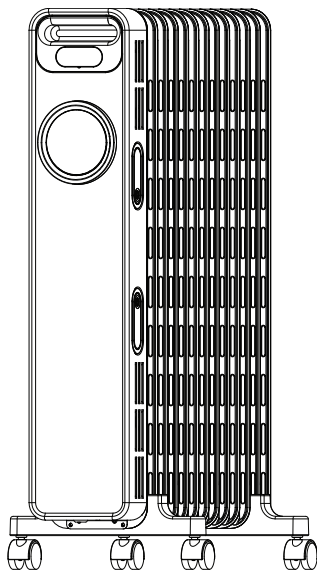


## EN Oil filled radiator



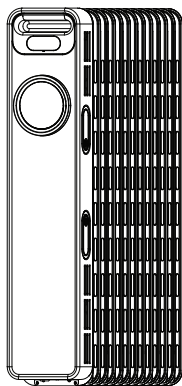
**EN IMPORTANT** - These instructions are for your safety. Please read through them thoroughly prior to handling the product and retain them for future reference. This product is only suitable for well insulated spaces or occasional use.

V10425\_5063022653741\_MAND2\_2324

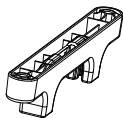
5063022653741

## EN Parts

---



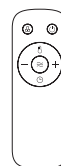
01. x1



02. x2



03. x4



04. x1

## EN You will need

---

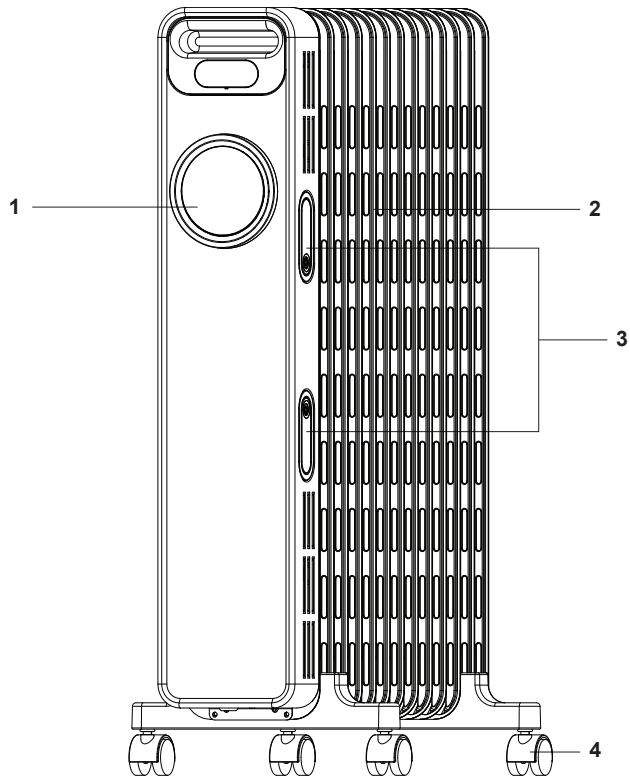


## EN Contents

<b>EN</b>	
<b>Product description</b>	3
<b>Safety</b>	4
<b>Guarantee</b>	10
<b>Assembly</b>	11
<b>Use</b>	14
<b>Care &amp; maintenance</b>	20

## EN Product description

---



EN 1. Control 2. Fin 3. Cable storage by winding 4. Feet and wheels



## EN

### Before you start

- Read these important instructions carefully before using the appliance.
- Keep these instructions during all the appliance's lifespan for future reference.
- Always give these instructions to anyone who will use the appliance, even if it's transferred to a third party.

### Safety

- Failure to observe safety instructions can cause potential injuries or property damage (Electric shock, burns, fire, ...).
- Instructions are intended to protect your health and health of others, but also prevent potential damage to the appliance.
- This appliance is only intended to heat a living space in a domestic application and under no circumstances in a commercial or industrial professional setting.

- The appliance rated power shall be adapted to the room volume, its insulation quality and your home geographical and climatic location for an optimal performance.



**DANGER:**  
NEVER USE  
THIS APPLIANCE  
OUTSIDE.

- Please always refer to instructions for precautions intended to user cleaning, maintenance and installation.
- Please refer to appliance symbols explanations inside this instruction manual.



**WARNING: KEEP  
PACKAGING  
MATERIALS AND  
ACCESSORIES OUT  
OF THE REACH OF  
CHILDREN. NEVER  
ALLOW CHILDREN  
TO PLAY WITH  
PACKAGING OR  
ACCESSORIES.**

- Children of less than 3 years should be kept away unless continuously supervised.

- Children aged from 3 years and less than 8 years shall only switch on/off the appliance provided that it has been placed or installed in its intended normal operating position and they have been given supervision or instruction concerning use of the appliance in a safe way and understand the hazards involved.
- Children aged from 3 years and less than 8 years shall not plug in, regulate and clean the appliance or perform user maintenance.
- This appliance can be used by children aged from 8 years and above and persons with reduced physical, sensory or mental capabilities or lack of experience and knowledge if they have been given supervision or instruction concerning use of the appliance in a safe way and understand the hazards involved.
- Children shall not play with the appliance.
- Cleaning and user maintenance shall not be made by children without supervision.



**WARNING: IN ORDER TO AVOID OVERHEATING, DO NOT COVER THE HEATER.**

- The heater must not be located immediately below a socket outlet.
- Do not use this heater in the immediate surroundings of a bath, a shower or a swimming pool.
- Do not use this heater if it has been dropped.
- Do not use if there are visible signs of damage to the heater.
- Use this heater on a horizontal and stable surface, or fix it to the wall, as applicable.
- This heater is filled with a precise quantity of special oil.
- Repairs requiring opening of the oil container are only to be made by the manufacturer or his service agent who should be contacted if there is an oil leak.



**WARNING:** DO NOT USE THIS HEATER IN SMALL ROOMS WHEN THEY ARE OCCUPIED BY PERSONS NOT CAPABLE OF LEAVING THE ROOM ON THEIR OWN, UNLESS CONSTANT SUPERVISION IS PROVIDED.



**WARNING:** TO REDUCE THE RISK OF FIRE, KEEP TEXTILES, CURTAINS, OR ANY OTHER FLAMMABLE MATERIAL A MINIMUM DISTANCE OF 1 M FROM THE AIR OUTLET.



**CAUTION:** SOME PARTS OF THIS PRODUCT CAN BECOME VERY HOT AND CAUSE BURNS. PARTICULAR ATTENTION HAS TO BE GIVEN WHERE CHILDREN AND VULNERABLE PEOPLE ARE PRESENT.

- If the supply cord is damaged, it must be replaced by the manufacturer, its service agent or similarly qualified persons in order to avoid a hazard.
- The installation instructions for fixing feet shall be observed.
- Do not install the appliance on carpet, rugs or a similar covering.
- Keep all objects at least 1 m from the front, sides and rear of the appliance

### **Electric connection**

The appliance is to be supplied through a residual current device (RCD) having a rated residual operating current not exceeding 30 mA.



**CAUTION:** DO NOT BEND, CRUSH OR PINCH THE ELECTRIC SUPPLY CORD BEHIND THE APPLIANCE. LEAVE ENOUGH SPACE BEHIND THE APPLIANCE SO THAT IT IS NOT IN DIRECT CONTACT WITH THE FIXED ELECTRIC WIRING SYSTEM.

- The appliance must not be connected via an extension cable or a power strip.



**DANGER:** NEVER CONNECT / DISCONNECT THE APPLIANCE WITH WET HANDS, RISK OF ELECTRIC SHOCK.

- The power plug must remain accessible so that the appliance can be disconnected from the electric main whatever the circumstances.
- If the appliance has a power plug with earthing included or a power cable including earthing with yellow / green color, the fixed electrical installation must also have an earth connection to ensure the minimum protection level.



**CAUTION:** IN ORDER TO AVOID A HAZARD DUE TO INADVERTENT RESETTING OF THE THERMAL CUT-OUT, THIS APPLIANCE MUST NOT BE SUPPLIED THROUGH AN EXTERNAL

SWITCHING DEVICE, SUCH AS A TIMER, OR CONNECTED TO A CIRCUIT THAT IS REGULARLY SWITCHED ON AND OFF BY THE UTILITY.



**CAUTION:** ANY PRODUCT INTERVENTION AND / OR REPAIR BY THE USER OR A NON-PROFESSIONAL THIRD PARTY MAY JEOPARDIZE THE SAFETY OF PERSONS AND PROPERTY. SO, DO NOT ATTEMPT TO DISASSEMBLE THIS APPLIANCE, REPAIR IT OR PERFORM ANY MODIFICATIONS BY YOURSELF.



**WARNING:** DEFECTS AND THEIR CONSEQUENCES RESULTING FROM PRODUCT INTERVENTIONS AND / OR REPAIRS CARRIED OUT BY

THE USER OR A NON-PROFESSIONAL THIRD PARTY CANNOT GIVE RISE TO THE APPLICATION OF THE LEGAL OR COMMERCIAL WARRANTY.



**CAUTION:** THE MANUFACTURER CANNOT BE HELD RESPONSIBLE FOR DAMAGE OCCURRING DURING SELF-REPAIR INSOFAR AS THIS DAMAGE IS LINKED IN PARTICULAR TO USER ERROR OR NON-COMPLIANCE BY THE LATTER WITH THE PRODUCT REPAIR INSTRUCTIONS.

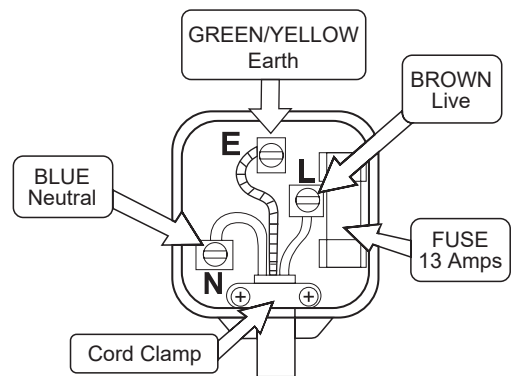
### Plug Replacement

- This appliance is supplied with a BS13633 pin plug fitted with a 13 Amp fuse. Should the fuse require replacement, it must be replaced with a fuse rated at 13 Amp and approved to BS1362.

- In the event the mains plug has to be removed/replaced for any reason, please note:



**IMPORTANT:** THE WIRES IN THE MAINS LEAD ARE COLOURED IN ACCORDANCE WITH THE FOLLOWING CODE:



Blue - Neutral

Brown - Live

Green/Yellow - Earth

- As the colours of the wires in the mains lead of this appliance may not correspond with the coloured markings identifying the terminals in your plug, proceed as follows.
- The blue wire must be connected to the terminal marked with an N or coloured black.

- The brown wire must be connected to the terminal marked with an L or coloured red.
- The green/yellow wire must be connected to the earthing terminal which is marked with an E or with the earth symbol.




 **WARNING: NEVER CONNECT LIVE OR NEUTRAL WIRES TO THE EARTH TERMINAL OF THE PLUG.**




**NOTE:** If a moulded plug is fitted and has to be removed take great care in disposing of the plug and severed cable, it must be destroyed to prevent engaging into a socket.

## Technical Data

<b>Model</b>	<b>NY2513-24MR</b>
Electric specifications	220-240 V ~ 50 Hz
Electric protection class	Class I (Must be connected to a socket with grounding)
Ingress protection code (IP)	IPX0 (No protection against solids objects and liquids)
Rated power: Maximum (III)	2500 W
Rated power: Medium (II)	1500 W
Rated power: Minimum (I)	1000 W
Operating range in °C	-10 - 45 °C
Manufacturing country	P.R.C.

## Product symbols

	This product complies with conformity requirements of the applicable European Regulations or Directives.
	This product complies with conformity requirements of the applicable UK Regulations.
	This symbol is known as the 'Crossed-out Wheelie Bin Symbol'. When this symbol is marked on a product or battery, it means that it should not be disposed of with your general household waste. Some chemicals contained within electrical / electronic products or batteries can be harmful to health and the environment. Only dispose of electrical/electronic/ battery items in separate collection schemes, which cater for the recovery and recycling of materials contained within. Your co-operation is vital to ensure the success of these schemes and for the protection of the environment.

	Read the instructions.
	The appliance power supply current is alternating type.
	<b>WARNING:</b> In order to avoid overheating, do not cover the heater.

## Recycling and Disposal

Please respect national and local regulations to reduce the environmental impact of your purchase.

An electric and electronic appliance shall not be sorted or recycled with other household waste.

You are legally responsible for sorting the product (Including any accessories), its instructions(s) and its packaging elements with a view to recycling.

When scrapping the heater, follow the regulations regarding the disposal of oil.

Observe markings on the different packaging materials for waste separation.

There are abbreviations and numbers for the nature of content.

- a : Abbreviations
- b : Numbers : 1 to 7 : Plastics / 20 to 22 : Papers and fiberboards / 80 to 98 : Composite materials

Information on collection points and their opening hours can be obtained from your local authority.

Never leave used products and packaging elements available to children as they represent a danger.

## Guarantee

We take special care to select high quality materials and use manufacturing techniques that allow us to create products incorporating design and durability. This product has a manufacturer's guarantee of 2 years against manufacturing defects, from the date of purchase (if bought in store) or date of delivery (if bought online), at no additional cost for normal (non-professional or commercial) household use.

To make a claim under this guarantee, you must present your proof of purchase (such as a sales receipt, purchase invoice or other evidence admissible under applicable law), please keep your proof of purchase in a safe place. For this guarantee to apply, the product you purchased must be new, it will not apply to second hand or display products. Unless stated otherwise by applicable law, any replacement product issued under this guarantee will only be guaranteed until expiry of the original period guarantee period.

This guarantee covers product failures and malfunctions provided the product was used for the purpose for which it is intended and subject to installation, cleaning, care and maintenance in accordance with the information contained in these terms and conditions, in the user manual and standard practice, provided that standard practice does not conflict with the user manual.

This guarantee does not cover defects and damage caused by normal wear and tear or damage that could be the result of improper use, faulty installation or assembly, neglect, accident, misuse, or modification of the product. Unless stated otherwise by applicable law, this guarantee will not cover, in any case, ancillary costs (shipping, movement, costs of uninstalling and reinstalling, labour etc), or direct and indirect damage.

If the product is defective, we will, within a reasonable time, provide spare parts.

Rights under this guarantee are enforceable in the country in which you purchased this product. Guarantee related queries should be addressed to the store you purchased this product from.

The guarantee is in addition to and does not affect your statutory rights.

## EN Assembly

---

# 01



02. x2

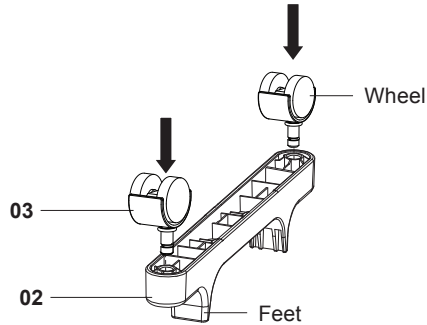


03. x4

---

EN Wheel / Feet

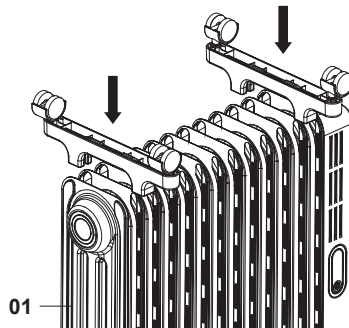
x2



- EN** Remove the two feet from the intermediate heat sink.  
Remove all packaging elements on the feet, wheels and fixing pieces.  
Press carefully on the wheels inside the supporting holes to the maximum limit.

# 02

  
01. x1



**EN** Place the heater body inversely with the bottom upward.

**NOTE:** A sheet or equivalent soft textile can be placed under the appliance to avoid scratching or damaging it.

Place the first foot on the second radiator fin, then insert it and push it carefully to the limit by the hand.

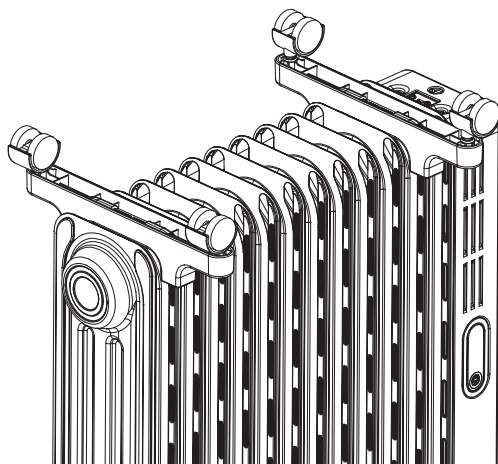
Place the second foot on the penultimate (To confirm BUT highly recommended because the last fin is too thick and it breaks the foot when this is one is pressed) radiator fin, then insert it and push it carefully to the limit by the hand.

**WARNING:** Never insert the second foot on the last fin.

**WARNING:** Risk of damage ! Never use a mallet, hammer or equivalent tool to insert the foot.

# 03

---



- EN** Turn the heater over again and place it carefully on its wheels without letting go.  
Check the heater is perfectly stable, recheck the second foot insertion if necessary.

## Operating instruction

- Roll the appliance on its wheels and from its control box to the desired heating location.
- Let the heat transfer fluid to descend for 2-3 minutes after installing the feet.
- Place the appliance on a flat and stable surface.
- Avoid exposing the appliance to direct sunlight as much as possible so as not to disrupt the thermostat setting and prevent the appliance's color from tarnishing.
- Unwind the power cable completely, check there is no damage on it, and plug it into an electric socket outlet equipped with a safety ground protection.



**WARNING: DO NOT USE A POWER STRIP OR AN EXTENSION LEAD.**

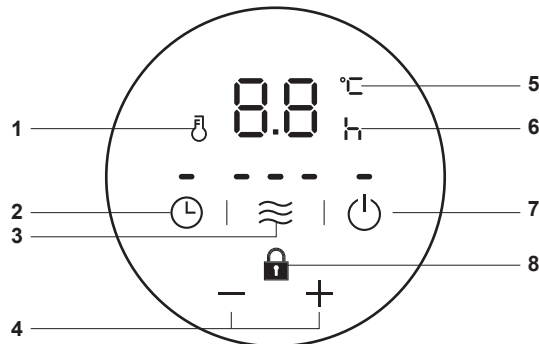
- Please ensure that the appliance rated power is lower than the power managed by your home installation socket outlet.



**WARNING: IF THE POWER CABLE BECOMES VERY HOT, IT MEANS YOUR HOME INSTALLATION IS NOT ABLE TO MANAGE THE APPLIANCE RATED POWER. TURN OFF THE APPLIANCE, UNPLUG IT AND CHECK YOUR ELECTRIC INSTALLATION WITH A QUALIFIED ELECTRICIAN BEFORE TO RE-USE THE APPLIANCE.**

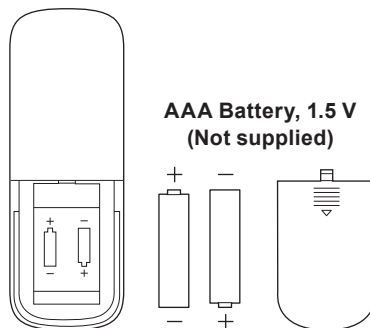
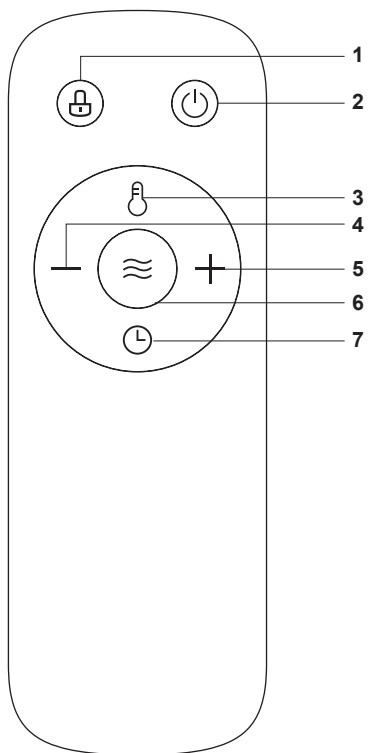
- Do not move the appliance in use. Let it cool down, stand-by and unplug it before to move or roll it.








## Control panel









- |                            |   |
|----------------------------|---|
| 1. Heating                 | 5. Temperature                          |
| 2. Timer / Delay start key | 6. Hour                                 |
| 3. Heating power level key | 7. On/standby key                       |
| 4. "+/-" keys              | 8. Child lock double action on +/- keys |

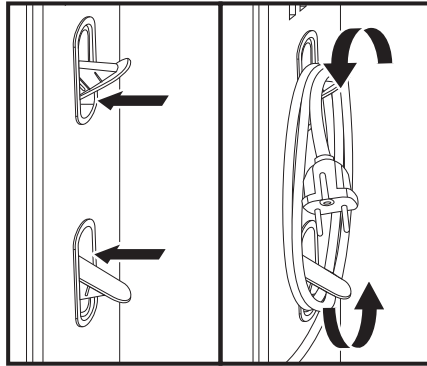
Please use the remote control in 5 m and 30° front of the appliance.



No.	Symbol	Key function
1.		Control panel locking (Child lock)
2.		On / Stand-by
3.		Temperature setting
4.		Less
5.		More
6.		Heat power level
7.		Timer / Delay start

	<p><b>Short press action:</b> On or stand-by the appliance.</p>
	<p><b>Short press:</b> Set the heat power level to the minimum (I), medium (II) or maximum power level desired according to your needs.</p> <p>A maximum power level (III) is recommended for a fast room heating.</p> <p>After the desired temperature is reached according to the temperature thermostat setting, please choose power levels medium (II) or minimum (I) to reduce energy consumption and prevent the room becoming overheated.</p>
	<p><b>Short press:</b> Increase the temperature from 5 to 35°C. The default temperature is 20°C for an eco-friendly use, you can adjust it according to your preference and the new temperature will be saved.</p> <p>You can also adjust the temperature with - / + keys to save time.</p> <p>If the thermostat temperature is set at the maximum, the heater will heat almost or fully in continuous.</p> <p>Please adapt the setting according to your needs in order to reduce energy consumption and avoid room overheating.</p>
	<p><b>In on mode: Working time limitation (Timer)</b></p> <p><b>Short press:</b> Increase the time from 0 h (Cancel) to 24 (24 hours). Time can be set 30 minutes by 30 minutes from 0.5 (30 minutes) to 9.5 (9 h 30) and then hour by hour from 10 h to 24 h. The default time is 3 h, you can adjust it according to your preference and the new time will be saved.</p> <p><b>In stand-by mode: Delay start</b></p> <p><b>Short press:</b> Increase the time from 0 h (Cancel) to 24 (24 hours). Time can be set 30 minutes by 30 minutes from 0.5 (30 minutes) to 9.5 (9 h 30) and then hour by hour from 10 h to 24 h. The default time is 8 h, you can adjust it according to your preference and the new time will be saved.</p> <p>You can also adjust the time with - / + keys to save time.</p>
	<p><b>Short press:</b> Increase (+) / Decrease (-) the temperature or time settings.</p> <p><b>Press and hold, for the control panel only:</b> Increase (+) / Decrease (-) the temperature or time settings.</p>
	<p><b>Short press, for the remote control only:</b> Activate / Desactivate the control panel locking (Child lock).</p> <p><b>Press and hold - / +, for the control panel only:</b> Activate / Desactivate the control panel locking (Child lock).</p>

After unplugging the electric plug, wrap the cable around the 2 x hooks and secure the power plug to prevent them from rolling up in the wheels.



Store the appliance in a clean and dry place, protected from dust and moisture.

## Information requirements for electric local space heaters

Contact details	Kingfisher International Products Limited 1 Paddington Square, London, W2 1GG, United Kingdom <a href="http://www.kingfisher.com/products">www.kingfisher.com/products</a>		
Model identifier(s)	NY2513-24MR		
<i>Item</i>	<i>Symbol</i>	<i>Value</i>	<i>Unit</i>
<b>Heat output</b>			
Nominal heat output	$P_{nom}$	1.031	kW
Minimum heat output (indicative)	$P_{min}$	1.018	kW
Maximum continuous heat output	$P_{max, c}$	1.031	kW
<b>Power consumption</b>			
In off mode	$P_o$	/	W
In standby mode	$P_{sm}$	0.23	W
In idle mode	$P_{idle}$	0.25	W
In network standby	$P_{nsm}$	/	W
Standby mode with display of information or status	□		

Seasonal space heating energy efficiency in active mode	$N_{s,on}$	91.5	%
<b>Type of heat output/room temperature control</b>			
Single stage heat output and no room temperature control		<input type="checkbox"/>	
Two or more manual stages, no room temperature control		<input type="checkbox"/>	
With mechanic thermostat room temperature control		<input checked="" type="checkbox"/>	
With electronic room temperature control		<input type="checkbox"/>	
Electronic room temperature control plus day timer		<input type="checkbox"/>	
Electronic room temperature control plus week timer		<input type="checkbox"/>	
<b>Other control options</b>			
Room temperature control, with presence detection		<input type="checkbox"/>	
Room temperature control, with open window detection		<input type="checkbox"/>	
Distance control option		<input type="checkbox"/>	
Adaptive start control		<input type="checkbox"/>	
Working time limitation		<input type="checkbox"/>	
Black bulb sensor		<input type="checkbox"/>	
Self-learning functionality		<input type="checkbox"/>	
Control accuracy		<input type="checkbox"/>	
		■ : Yes / □ : No	

## Troubleshooting

Operation of your appliance can lead to errors and malfunctions. The following tables contain possible causes and tips to resolve them. Please consult this table before to contact after sales service.

Trouble	Possible causes	Solution
The appliance is not powered on.	The appliance is not plug in correctly the mains.	Plug in the appliance into a grounded electric socket outlet.
		Check the power plug is firmly inserted.
	Overheat protection has been triggered.	Check the power cord is not trapped, bended, crushed, pinched or damaged.
		An overheat safety is included inside the appliance. Ensure there is no objects or textiles on or near the appliance, then unplug the appliance and let it cool down at least half of an hour before to replug in.
The appliance is powered on but does not heat up.	The temperature thermostat is set below to the room ambient temperature.	Adjust the temperature thermostat above the room ambient temperature, a "click" sound will be heard when the thermostat will trigger.
The appliance suddenly stops during heating	The appliance stops heating after reaching the heating temperature set.	No abnormal situation. If the heating stops too frequently according to your heating needs, set the temperature thermostat higher.
	The appliance is or was tipped over.	A tip over switch safety is included inside the appliance. Ensure the appliance is on a flat and stable surface, then unplug and replug in the appliance.
	Automatic shutdown mode is activated after a 24 h of inactivity.	No abnormal situation. Press on / stand-by key to use the appliance again.

If you encounter a problem using your appliance, make sure to follow the instruction manual including chapters relating to cleaning, servicing and maintenance. Check the possible error codes descriptions according to the appliance.

**If the problem is not resolved despite these steps, we invite you to contact the after-sales service of the place of your purchase through the retail banner store or its website.**

**CAUTION:** Any product intervention and / or repair by the user or a non-professional third party may jeopardize the safety of persons and property. So, do not attempt to disassemble this appliance, repair it or perform any modifications by yourself.

**WARNING:** Defects and their consequences resulting from product interventions and / or repairs carried out by the user, or a non-professional third party cannot give rise to the application of the legal or commercial warranty.

**CAUTION:** The manufacturer cannot be held responsible for damage occurring during self-repair insofar as this damage is linked in particular to user error or non-compliance by the latter with the product repair instructions.

**DANGER:** Before any intervention, all electric supply circuits must be disconnected.

## EN Care & maintenance

---

- Any intervention linked to the appliance cleaning, servicing or maintenance must be carried out with the electrical plug disconnected and the appliance cool down.
- Clean regularly the appliance, every 3 months maximum, with a soft non-abrasive dust cloth microfiber type.
- If stains are visible, the cloth can be slightly humidify.
- Do not put the appliance in contact with water and do not wash it.



**WARNING: NEVER USE ABRASIVE OR CORROSIVE DETERGENT, CHEMICAL AGENTS OR SOLVENTS AS THEY COULD DAMAGE THE MATERIALS AND COATINGS, ESPECIALLY PLASTIC PARTS.**

- Do not use a steam cleaner when cleaning the appliance.
- Never immerse the appliance in water or other liquids and never hold it under running water.
- Do not scrap the surfaces of flanges with sharp hard tools, to avoid surfaces getting rusty, because of damage of the paint coat.

### Availability of spare parts

Spare parts are available to professional repairers for a minimum period of **10 years** after purchasing the product new.

The **remote control** (If originally included with your appliance) is available for at least the same period to both professional repairers and end users.

Repairs to this product must be carried out by professional repairers only.

Any unauthorised attempt of repairing will invalidate the warranty.

Please visit [www.kingfisher.com/products](http://www.kingfisher.com/products) for more information.

---

**Manufacturer:**

**UK Manufacturer:**

Kingfisher International Products Limited,  
1 Paddington Square, London, W2 1GG,  
United Kingdom

**EU Manufacturer:**

Kingfisher International Products B.V.,  
Rapenburgerstraat 175E,  
1011 VM Amsterdam,  
The Netherlands

**EN** [www.diy.com](http://www.diy.com)  
[www.screwfix.com](http://www.screwfix.com)  
[www.screwfix.ie](http://www.screwfix.ie)

**To view instruction manuals online,  
visit [www.kingfisher.com/products](http://www.kingfisher.com/products)**