

Photo (Unit & Control Panel)

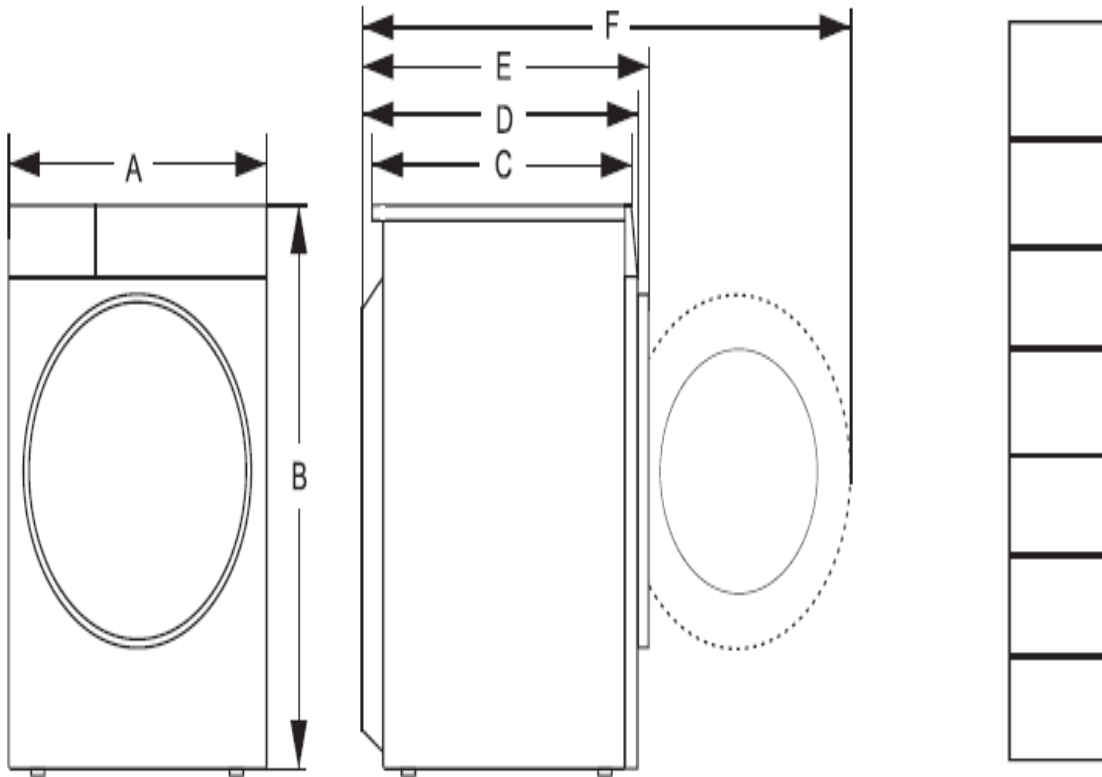


<b>Market</b>	<b>EUROPE</b>
<b>Product Manager</b>	
<b>Product picture</b>	
<b>Factory</b>	Pingdu
<b>Brand</b>	Hisense
<b>Hisense Model</b>	DH3S902BW3
<b>Type</b>	DH3S902BW3
<b>SAP code</b>	20013101
<b>EAN</b>	6901101829610
<b>RED</b>	
<b>Energy Level</b>	A+++
<b>EPREL n.</b>	
<b>Cabinet Colour</b>	White
<b>Door color</b>	Black
<b>Display</b>	LED
<b>Built in/Free standing</b>	Free Standing
<b>Water Pressure (Mpa)</b>	0.1-1
<b>Supply Voltage (V/Hz)</b>	220-240/50
<b>Drying capacity (KG)</b>	9
<b>Drying mode</b>	Heat pump
<b>END USER COMFORT</b>	
<b>Water box</b>	yes
<b>Water box volume</b>	5.6L
<b>Buttons</b>	touch control
<b>Drum Material</b>	Stainless Steel
<b>Memory Backup</b>	no
<b>Big Size Door Design</b>	520
<b>Porthole Diameter (mm)</b>	390
<b>Double Door</b>	no
<b>Programs (Hisense)</b>	
Auto	yes
Remote Control	yes
Allergy Care	yes
Baby Care	yes
Sportswear	yes
Delicates	yes
Shirts	yes

Bedding	yes
Cotton	yes
Time Dry	yes
Synthetics	yes
Wool	yes
Down	yes
Refresh	yes
Quick 30'	yes
Towels	yes
<b>Features</b>	
<b>Number Programs</b>	16
Door Swap left and right	yes
Ion refresh	no
wifi	yes
Wash-dry linkage	yes
Snowflake Drum	no
Raindrop Drum	yes
Steam	no
Drumlight	yes
Electric auxiliary heating	no
UV sterilization	no
Child Lock	yes
Delay End	yes
Dry Target	yes
Time Dry	yes
Anti Crease	yes
Night Dry	no
Gentle Dry	yes
Dry Level	yes
<b>Load Detection</b>	no
<b>Drum Illumination</b>	yes
Anti crease	yes
<b>Performance</b>	
<b>Energy Efficiency Class</b>	A+++
Condensation efficiency grade	B
Condensation efficiency	≥80%
Noise	64
<b>Dimensions</b>	
<b>Net Dimensions WxDxH (mm)</b>	595×640×845
<b>Packing Dimensions (Shrink Film) WxDxH (mm)</b>	/
<b>Loading capacity (Shrink Film) (40HC)</b>	159
<b>Drum volume (L)</b>	125L
<b>Bruto (kg)</b>	58kg
<b>Netto (kg)</b>	54kg
<b>Packing (Carton&amp;Shrink Film)</b>	Carton
<b>weight of packaging - carton (kg)</b>	

weight of packaging - EPS (kg)	0.8775
weight of packaging - foil PE (kg)	0.01
weight of packaging - PP (kg)	
weight of packaging - plastic (kg)	0.101
weight of packaging - wood (kg)	0.175
weight of packaging - steel (kg)	
weight of packaging - paper (kg)	2.3765
Total weight	
Rated capacity (kg)	9kg
Air-vented or condenser tumble drier	condenser tumble drier
Energy efficiency class	A+++
Weighted Annual Energy Consumption (kWh)	194kWh
Automatic tumble drier or non-automatic tumble drier Automatic	Automatic tumble drier
Energy consumption of the standard cotton programme at full load (kWh)	1.64
Energy consumption of the standard cotton programme at partial load (kWh)	0.86
Power consumption of the off-mode (W)	0.4
Power consumption in left-on mode (W)	0.45
Duration of the left-on mode (min)	5
Standard drying programme	Cotton
Weighted programme time of the 'standard cotton programme at full and partial load' (min)	170
Programme time of the 'standard cotton programme at full load' (min)	228
Programme time of the 'standard cotton programme at partial load' (min)	126
Condensation efficiency class on a scale from G (least efficient) to A (most efficient)	B
Average condensation efficiency of the standard cotton programme at full load as a percentage	85
Average condensation efficiency of the standard cotton programme at partial load as a percentage	85
Weighted condensation efficiency for the 'standard cotton programme at full and partial load'	85
Sound power level (dB)	64
Built-in	NO
Refrigerant type (冷媒)	R290

# Dimensions(mm)







Index	Dimension(mm)
A	595
B	845
C	610
D	640
E	670
F	1150