

# **LED PENDANT LIGHT**

# SAFETY GUIDANCE

- Incorrect installation and use can cause necessary damage and harm. Please read the instruction carefully before use for your safety and better use of this product.
- **Warning:** Follow the instruction to install and use to prevent personal safety accidents, such as lamp damage, falling down, electric shock, fire, etc. Do not dismantle the lamp or replace any parts.
- Do not use power beyond the rated range (nominal voltage 220/10%, frequency 50 Hz). (Using power beyond the rated voltage range for a long period of time may cause damage to the lamp.)
- Do not install the lamp above the objects in hot or humid areas. (Do not install the lamp above an oven, gas or exhaust pipes to avoid damage.)
- The wiring of the power should not be connected in series with other appliances and parallel counters should not be used.
- Please find a professional electrician to check and repair the lamp. (Unprofessional repair and replacement of parts can be life-threatening.)
- If there is anything abnormal about the lamp, cut off the power and report to a professional.
- **Warning:** Before installation of the light, cut off the power to avoid electric shock.
- Please find a professional to install this product for your safely use.

# SPECIFICATIONS

**Product Name:** Ceiling Lamp

**Model:** LG0976

**Power:** 54W

**Power Supply:** 110V-260V 50/60Hz

**Color Temperature:** 3000K-6500K

**Light Source:** LED

**Size of the Light:** 20+40+60 cm

# SCREW FITTING



(x4)



(x4)



(x4)



(x1)



# INSTALLATION

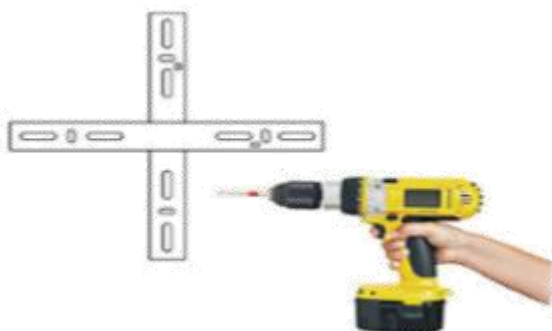
## Step 1

Cut off the power.



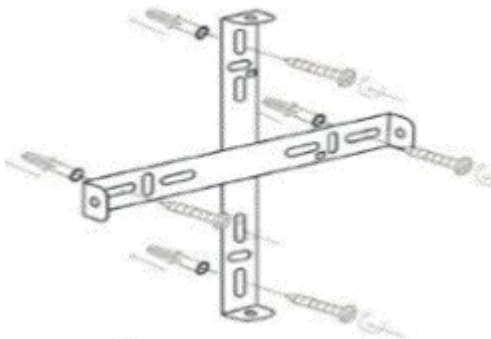
## Step 2

Drill the mounting holes.



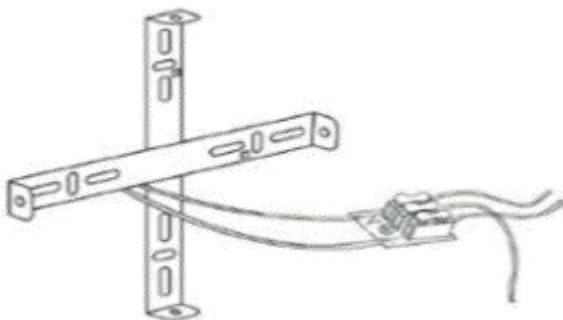
### Step 3

Fill the holes with plugs and fix the mounting plate by screws.



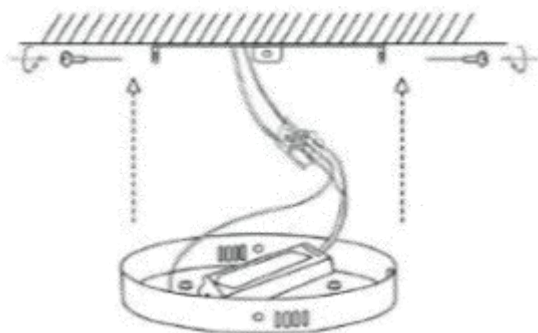
### Step 4

Connect the wires into the ceiling electric wire.



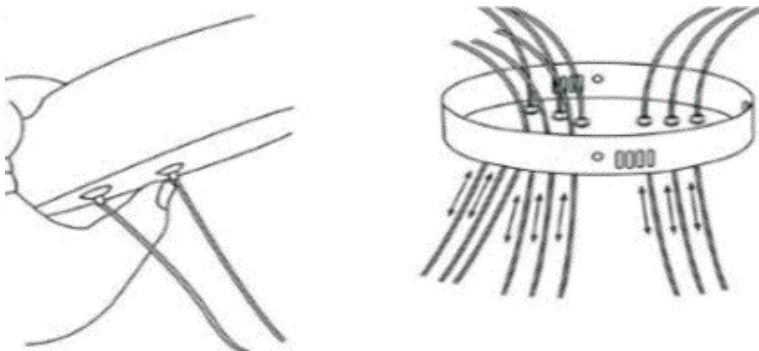
### Step 5

Screw the ceiling light to the mounting plate.



### Step 6

Adjust the height of the line.

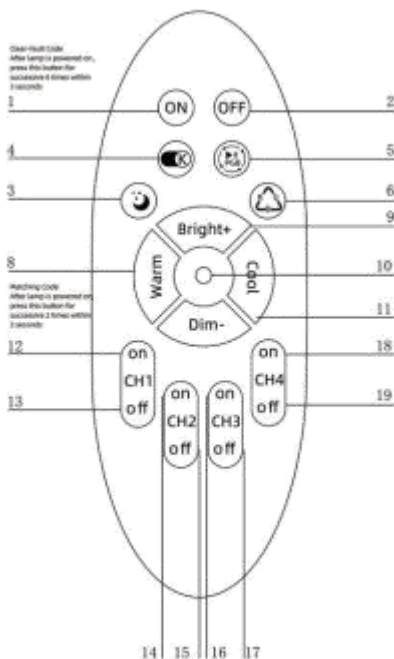


**Step 7**

Installation done. Please turn on the ceiling light.



# REMOTE CONTROL




- |                                |                               |
|--------------------------------|-------------------------------|
| 1: Full On;                    | 11: Color Temperature -;      |
| 2: Full Off;                   | 12: Grouped 1-Open Switcher;  |
| 3: Night Lamp;                 | 13: Grouped 1-close Switcher; |
| 4: Color-temperature Switcher; | 14: Grouped 2-open Switcher;  |
| 5: RGB Breathing;              | 15: Grouped 2-close Switcher; |
| 6: RGB Switching;              | 16: Grouped 3-open Switcher;  |
| 7: Brightness +;               | 17: Grouped 3-close Switcher; |
| 8: Color Temperature +;        | 18: Grouped 4-open Switcher;  |
| 9: Brightness -;               | 19: Grouped 4-close Switcher; |
| 10: Indicator Lamp;            |                               |

## Usage Manual

1. Put 2 AAA Batteries into this product.


2. Matching Code:



After lamp is powered on, press "CH ON"  for successive 2 times within 3 seconds (Button 12, Button 14, Button 16 & Button 18).

3. Clear-fault Code:



After lamp is powered on, press "ON"  for successive 5 times within 3 seconds (Button 1).

**Notes:** For all clear-fault codes & matching codes, power on to operate after powering off lamp.

**Notes:** Grouped Code-matching Buttons.



# ENVIRONMENTAL PRECAUTIONS

## Information on Disposal for Users of WEEE

- The wheelie bin symbol on the product (s) and/or accompanying documents means that used electrical and electronic equipment (WEEE) should not be mixed with general household waste.
- For proper treatment, recovery and recycling, please take this product (s) to designated collection points where it will be accepted free of charge.
- Alternatively, in some countries, you may be able to return your products to your local retailer upon purchase of an equivalent new product.
- Disposing of this product correctly will help save valuable resources and prevent any potential negative effects on human health and the environment, which could otherwise arise from inappropriate waste handling.
- Please contact your local authority for further details of your nearest designated collection point.

# INSTRUCTIONS

- Please turn off the main power supply.
- Drill the mounting holes for mounting plate on the ceiling.
- Fix the mounting plate by corresponding screws.
- Connect the wire on power adapter to the wire on the frame. Tips: Red wire to red, then black wire to black.
- After the lamp is installed, connect the wire on the power adapter to the wire on the wall, test whether the lamp is normally lit, turn off the power after the normal lighting, and then fix the lamp body on the mounting plate and fix it with screws.
- Press and hold the chassis nut buckle to adjust the length of the lifting rope.
- After the installation check whether it' s all fixed. Then turn on the power to light.
- Please wear gloves during installation. If there are stains or sweat on the hardware, remove them in time.
- The lamp must be firmly installed when installing a fixed lamp. Ensure that the installation medium can bear the weight of the lamp body. After installation, the lamp body should be checked whether it' s fixed on the ceiling to make sure that the lamp will not fall.

## Direction for Use

- Don't touch or scratch the surface of the light with hard object.
- Don' t hang things on the lamp or dry the clothes with the lamp.

# CLEANING & CARE

- **Note:** Please clean and check the lamps once every 6 months.
- Regular cleaning and inspection (every 6 months) should be taken for the safe and effective use of this product. When cleaning the lamp, cut off the power. (During the repair process, the appropriate product model must be provided and the contents of the light displayed must be viewed.) Use soft cloth to wipe it clean. Do not use to clean, otherwise loss of color and damage to the lamp will occur.
- When cleaning the lamp body, gently wipe it with a soft dry cotton cloth. Don't use wet cloth or other volatile liquid.
- When cleaning the lampshade, please use a clean feather duster to tenderly swipe the surface to avoid fouling the lampshade or causing deformation.
- **Warning:** Cut off the power and wait until it's fully cool down before cleaning and other operation.

## **Living and Home**

### **A Home is for Living in**

For comfort and style update your living space.

Browse contemporary and classic designs and find the perfect home to your look and the perfect spot to lounge.

Put your feet up and sink into our stylish home decor.

We are mainly engaged in home, outdoor, home appliances, office, bathroom, provided high quality and affordable products for you. We value every one of our customers and our professional service team is always available to help you.

[livingandhome.co.uk](http://livingandhome.co.uk)