



MANICURE NAIL TABLE

SAFETY & WARNINGS

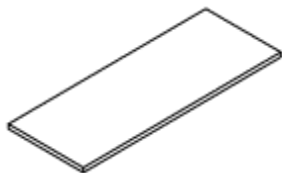
Warning

- Important - Please read these instructions fully before starting assembly.
- Do not sit or stand upon the tabletop.
- Make sure you have enough space to layout the parts before starting.
- Assemble the item as close to its final position (in the same room) as possible.
- We do not recommend the use of power drill/drivers for inserting screws, as this could damage the unit. Only use hand screwdrivers.

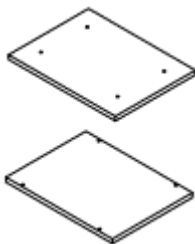
Safety Information

- Check you have all the components and tools listed on pages 3-4.
- Remove all fittings from the plastic bags and separate them into their groups.
- Keep children and animals away from the work area small parts could choke if swallowed.
- Parts of the assembly will be easier with 2 people.
- Place the product on flat and steady surface during use.
- During assembly do not stand or put weight on the product, this could cause damage.
- Assemble on a soft level surface to avoid damaging the unit or your floor.
- Only upon completion of the assembly should all fixing points be fully tightened.
- Regularly check and ensure that all bolts and fittings are tightened properly.

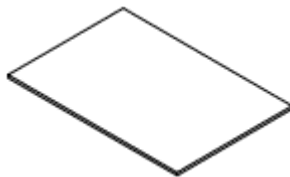
COMPONENTS



(A)-1:
Tabletop (x1)
1190*450*25mm



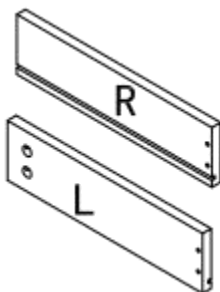
(A)-2:
Top-board (x2)
Bottom-board (x2)
400*290*15mm



(A)-3:
Bottom Drawing (x8)
324*215*4mm



(A)-4:
Side-board (x2)
1190*450*25mm



(A)-5:
Drawing Side-
board (x4 for each)
330*90*15mm



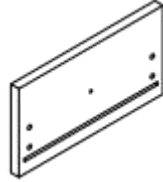
(A)-6:
Guide
12"



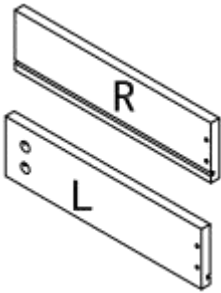
(B) -1:
Middle Side-board (x2)
565*400*15mm



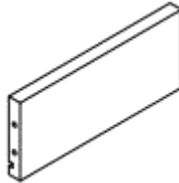
(B) -2:
Back-board (x2)
565*260*15mm



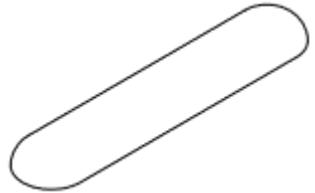
(B) -3:
Drawing Face (x8)
257*137*15mm



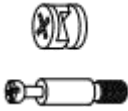
(B)-4:
Drawing Side-board
(x4 for each)
330*90*15mm



(B)-5:
Drawing Back-
board (x8)
205*90*15mm



(B)-6:
Pad (x1)



(1) :
Eccentric Fitting
(x56+2 for each)



(2) :
Wheel (x8)



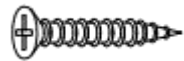
(3) :
Handle (x8)



(4):
Screw (x8)
 $\Phi 4 * 20$



(5):
Shim (x8)



(6) :
Screw (x32)
 $\Phi 3.5 * 35$



(7) :
Screw (x100)
 $\Phi 3.5 * 12$

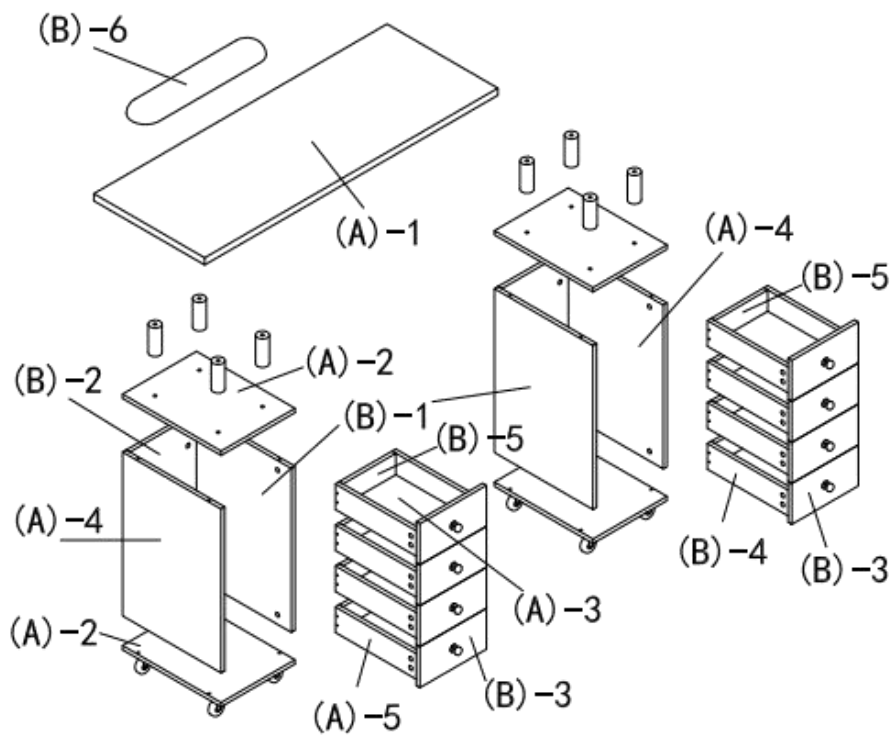


(8) :
Pillar (x8)



(9) :
Screw (x8)
 $\Phi 8 * 130$

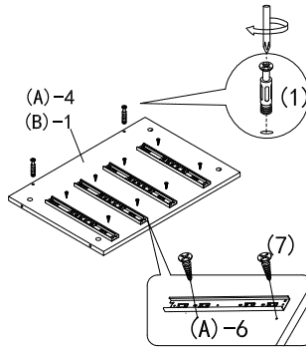
PART LIST



INSTALLATION

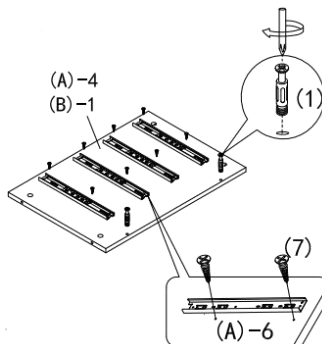
Step 1

Insert eccentric fittings (1) into the corresponding positions of side-board (A)-4 and middle side-board (B)-1 by clockwise motion. Attach guides (A)-6 to side-board (A)-4 and middle side-board (B)-1 with screws(7).



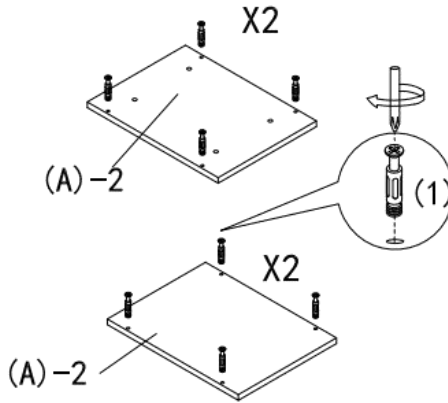
Step 2

Repeat step 1, insert eccentric fittings (1) into the corresponding positions of side-board (A)-4 and middle side-board (B)-1 by clockwise motion. Attach guides (A)-6 to side-board (A)-4 and middle side-board (B)-1 with screws(7).



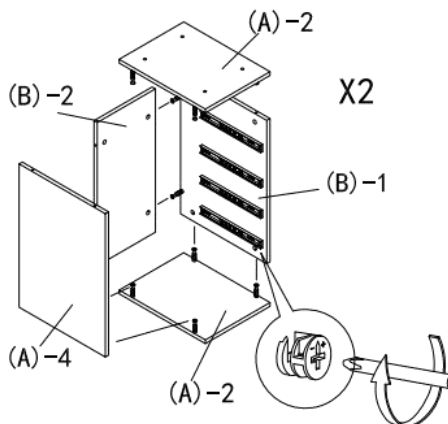
Step 3

Insert eccentric fittings (1) into two top-boards and two bottom-boards (A)-2 as shown.



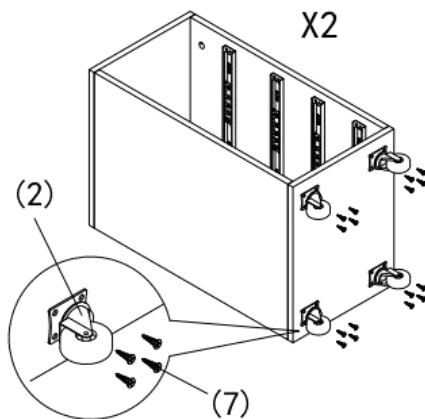
Step 4

Attach a top-board and a bottom-board (A)-2 to slide board (A)-4, back-board (B)-2 and middle side-board (B)-1 with eccentric fittings (1). Repeat this step to assemble another same frame.



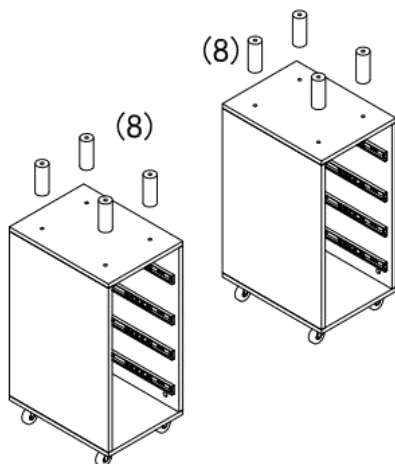
Step 5

Attach four wheels (2) to the bottom of assembled frame of step 9, and repeat this step to install another same frame.



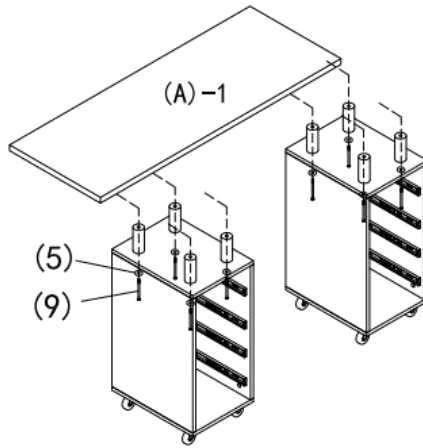
Step 6

Attach pillars (8) to the top of cabinets as shown in the figure.



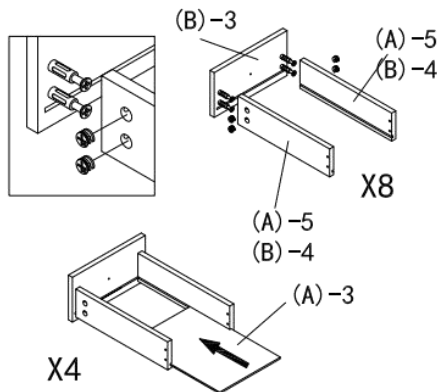
Step 7

Attach the tabletop (A)-1 to the top of the cabinets with shims (5) and screws (9).



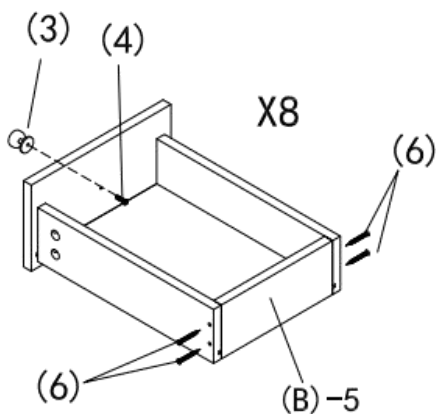
Step 8

Attach drawing side-board (A)-5 and (B)-4 to drawing face (B)-3 with eccentric fittings (1) as shown. Slide in a bottom drawing (A)-3. Repeat these steps until all the drawers are assembled.



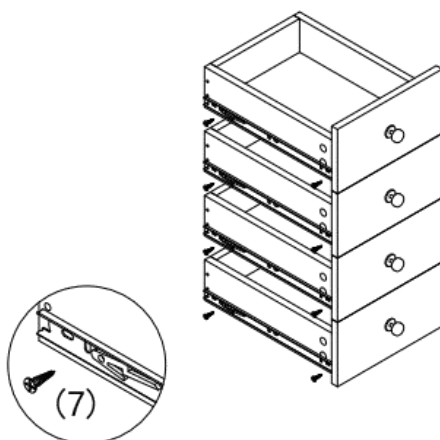
Step 9

Attach the drawing back-board (B)-5 to the drawer with screws (6). Attach the handle to the drawing face with screws (4). Repeat steps 8 to 9 to assemble another seven drawers.



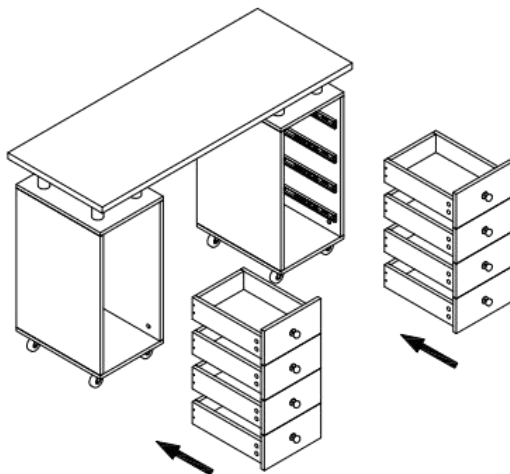
Step 10

Install guides (A)-6 on the left side of each of the 8 drawers with screws (7).



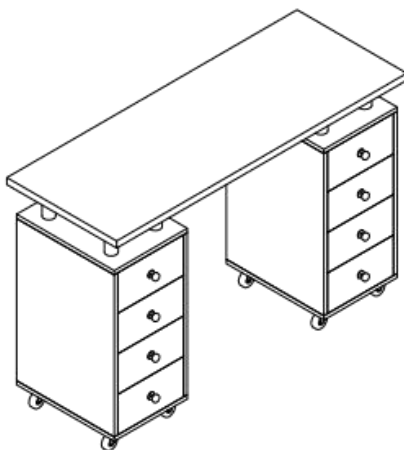
Step 11

Install the drawers inside the manicure nail table.



Step 12

Completed.



CLEANING & CARE

- Wipe regularly with clean water and a damp, clean, soft white cloth.
- General cleaning can be done as needed with a mild detergent and water solution.
- Always rinse with clean water and dry. For heavy soiling, dampen a soft white cloth or soft bristle brush. Use care as scrubbing can damage the surface.
- DO NOT use any cleaners with corrosive ingredients (lye, acids or ammonia).
- From time to time check that there are no loose screws on this unit.
- This product should not be discarded with household waste. Take to your local authority waste disposal centre.

Living and Home

A Home is for Living in

For comfort and style update your living space.

Browse contemporary and classic designs and find the perfect home to your look and the perfect spot to lounge.

Put your feet up and sink into our stylish home decor.

We are mainly engaged in home, outdoor, home appliances, office, bathroom, provided high quality and affordable products for you. We value every one of our customers and our professional service team is always available to help you.

livingandhome.co.uk