

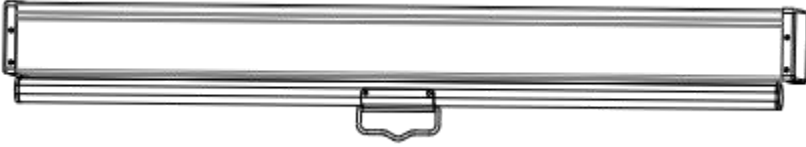


RETRACTABLE SIDE AWNING

WARNING

- When mounting the awning, keep the cassette part and stand column on the horizon, or the fabric will deform and become difficult to open and close.
- We recommend that two or more people are required to lift the awning into place.

COMPONENTS



A: (x1)



B: (x1)



C: (x1)



D: (x4)
M8 x 70



E: (x4)
M8



F: (x8)
 $\Phi 8$



G: (x2)



H: (x4)
st5 x 30



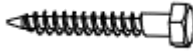
I: (x4)
8 x 39



J: (x1)
M6 x 32



K: (x1)



L: (x4)
st8 x 50

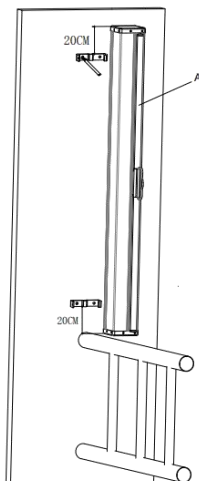


M: (x4)
 Φ 10 x 48

INSTALLATION

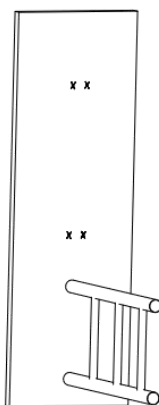
Step 1

Mark the height of A on the wall.



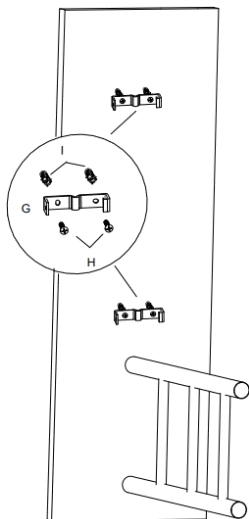
Step 2

Drill holes.



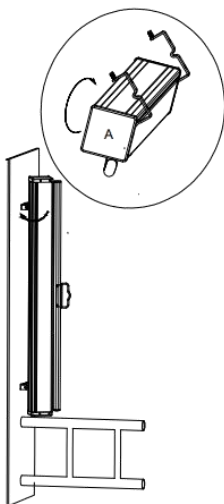
Step 3

Insert I into the holes. Attach G to the holes with H as shown.



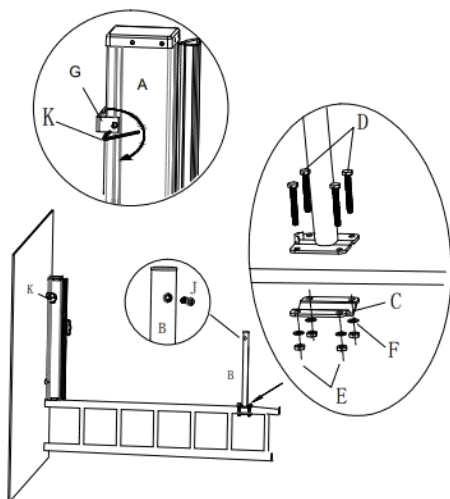
Step 4

Attach A to G as shown.



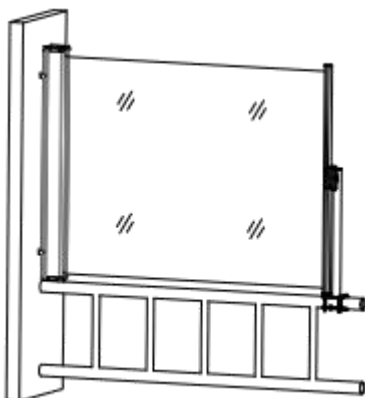
Step 5

Fasten A and G together using K. According to the maximum expanded size of the awning, mark the position of B. Attach B to the marked place with C, F, E and D as shown. Insert J to the corresponding position of B.



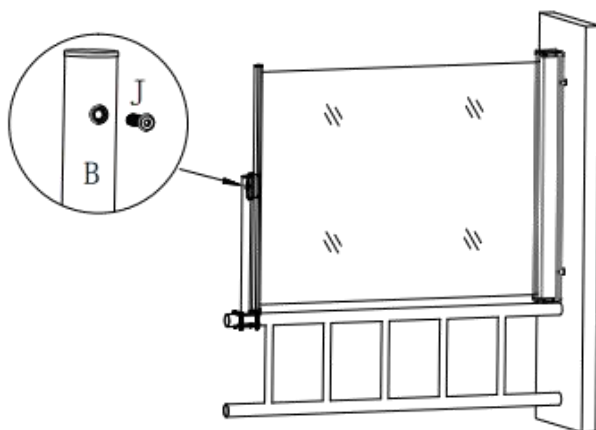
Step 6

Open the awning.



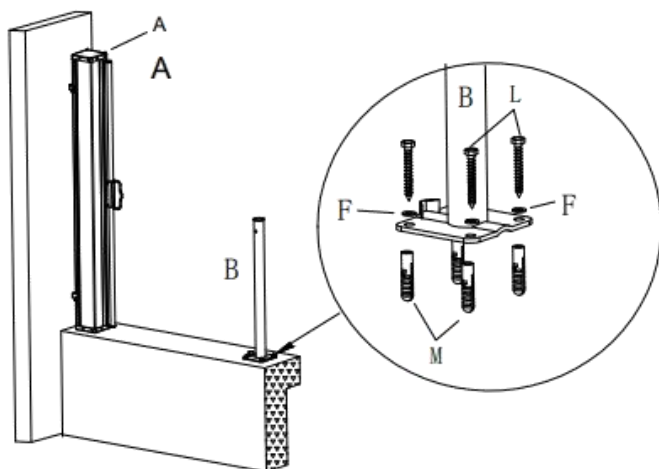
Step 7

Insert J to the corresponding position of B.



Step 8

Insert M into the marked place. Attach B to the corresponding holes with F and L.



CLEANING & CARE

- Awnings should be cleaned at least once a year.
- Cleaning consists of brushing off debris with broom, brushing on a non-detergent cleaning compound (such as 1/2 vinegar, 1/2 water), letting it sit for 20 minutes and rinsing.
- Remember that your awning is an exterior product, you must clean your awning to preserve and extend its beauty and life.
- Do not use any cleaners with chemicals, solvents, or harsh abrasives.

Living and Home

A Home is for Living in

For comfort and style update your living space.

Browse contemporary and classic designs and find the perfect home to your look and the perfect spot to lounge.

Put your feet up and sink into our stylish home decor.

We are mainly engaged in home, outdoor, home appliances, office, bathroom, provided high quality and affordable products for you. We value every one of our customers and our professional service team is always available to help you.

livingandhome.co.uk