



# **METAL GARDEN SHED**

## WARNING

- Please read the instruction manual carefully before assembly.
- Please assemble strictly in accordance with the instruction.
- Please double-check to ensure that all parts of the package contents intact.
- To avoid injury, work gloves are recommended during assembly.

## OPERATION

### Owner's Manual

- Before beginning construction, check local building codes regarding footings, location and other requirements. Study and understand this owner's manual, important information and helpful tips will make your construction easier and more enjoyable.

### Assembly Instructions

- Instructions are supplied in this manual and contain all appropriate information for your building model. Review all instructions before you begin, and during assembly, follow the step sequence carefully for correct results.

### Parts and Parts List

- Check to be sure that you have all the necessary parts for building. Separate contents of the carton by the part number while reviewing parts list.

- The first few steps show how to join related parts to make larger sub assemblies which will be used later.
- Familiarize yourself with the hardware and fasteners for easier use during construction. These are packaged within the carton. Note that extra fasteners have been supplied for your convenience.

## PLAN AHEAD

### **Watch the Weather**

- Be sure the day you select to install your building is dry and calm. Do not attempt to assemble your building on a windy day.

### **Teamwork**

- Whenever possible, two or more people should work together to assemble your building. One person can position parts or panels while the other is able to handle the fasteners and the tools.

### **Tools and Materials**

- These are some basic tools and materials you will need for the construction of your building. Decide which method of anchoring and the type of foundation you wish to use in order to form a complete list of the materials you will need.

# COMPONENTS



1: (x2)



2: (x2)



3L: (x1)



3R: (x1)



4L: (x1)



4R: (x1)



5: (x1)



6: (x1)



7: (x1)



8: (x1)



9:(x2)



11: (x2)



10L: (x1)



10R: (x1)



13: (x4)



14: (x4)



15: (x2)



16: (x2)



17: (x2)



18: (x2)



19: (x2)



20: (x4)



21L: (x2)



21R: (x2)



25L: (x1)



25R: (x1)



27: (x2)



P1: (x2)



P2: (x4)



P3: (x12)



P4: (x2)



P5: (x4)



P6: (x4)



P7: (x2)



D1: (x1)



D2: (x1)



B1: (x8)



G2: (x4)



GB: (x2)



GC: (x4)



GD: (x4)



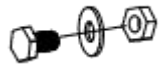
GE: (x2)



GF: (x4)



F1: (x320)



F2: (x95)

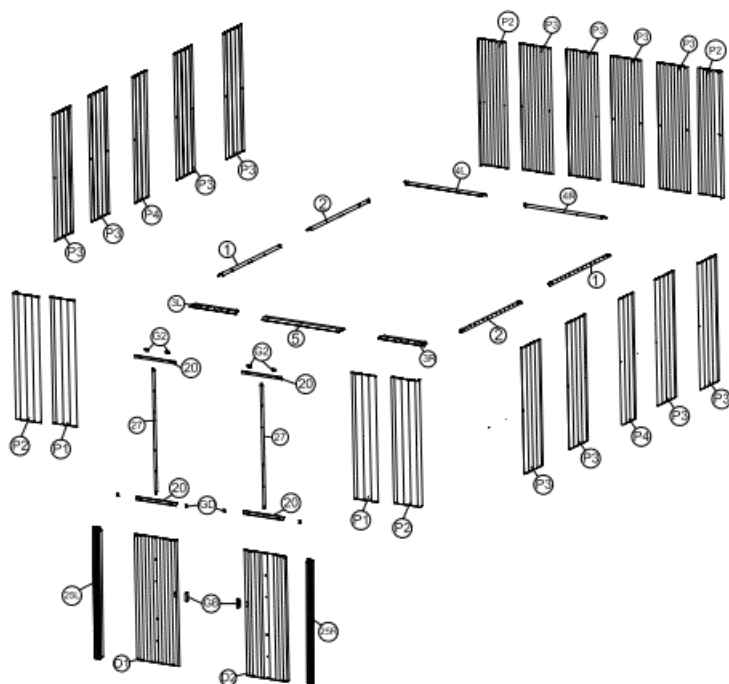
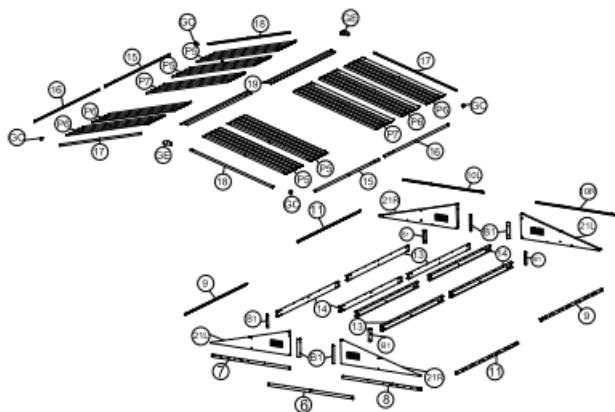


F3: (x8)



S1: (x170)

# PART LIST

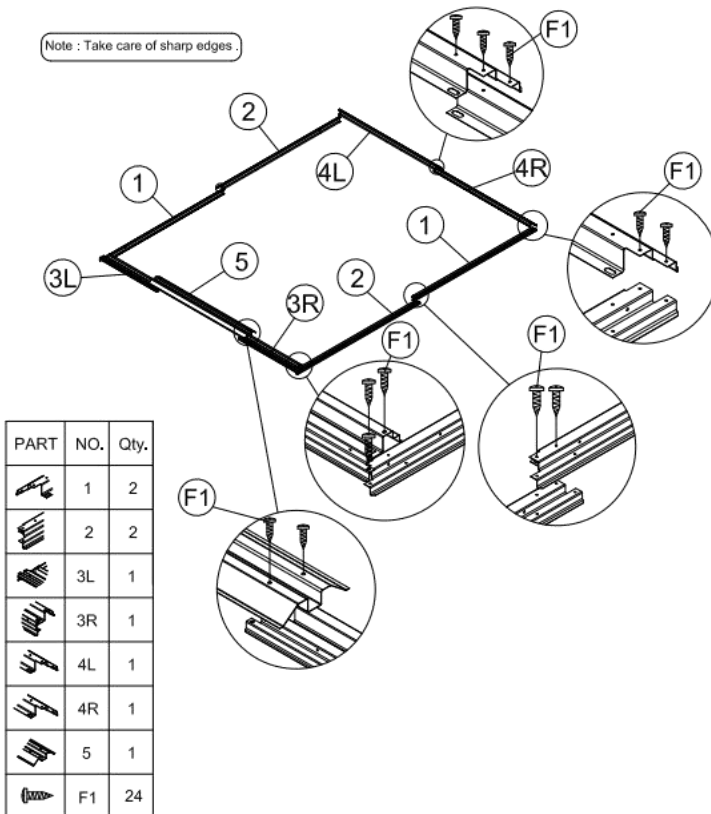


# INSTALLATION

## Step 1

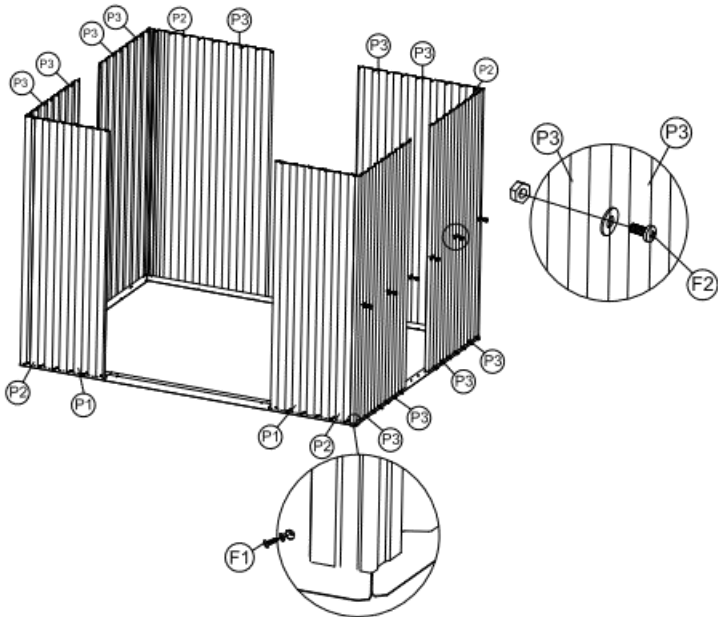
Assemble base bars from (1) to (4R) with (F1) screws. Then place the entrance taper channel (5) on top of the bar (3L) and (3R). Secure with (F1) screws to the foundation. See the following figure. Make sure the base bar assembled in a perfect square.





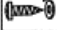

**Note:** Take care of sharp edges.

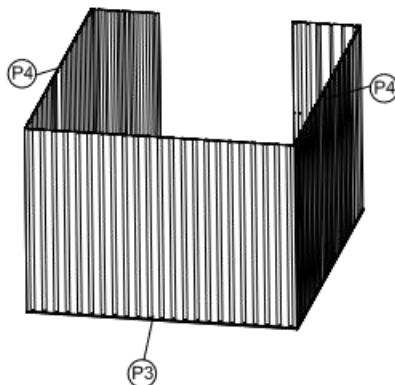


## Step 2

Place the wall panels (P1), (P2), (P3) and (P4) on the base bar (1), (3L), (3R), (4L) and (4R) as shown. Side walls of the shed are lined up with the holes of the base bar. Secure with (F1). Screw with washers from outside.



PART	NO.	Qty.
	P1	2
	P2	4
	P3	12
	P4	2
	F1	73
	F2	19

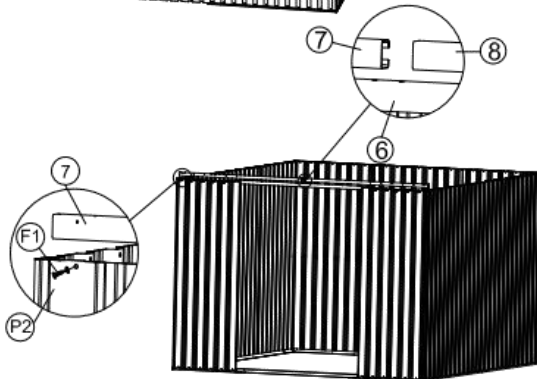
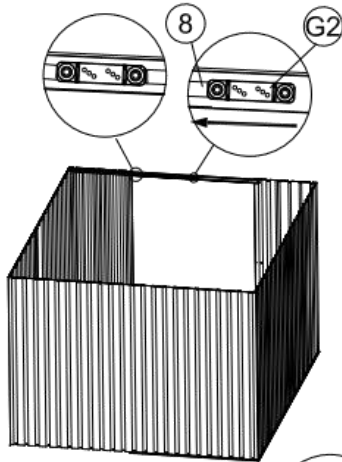


### Step 3

Insert 2 pieces of (G2). Top slider into the sliding channel (8). See blowup. Assemble door bar (6) between front wall panel (P1). And then place the sliding channel (7) and (8) on top of front wall panels from inside. Line up the holes with wall panel. Use (F1) screws with washers to fix. See the position in the figure below.

**Note:** Sliding channel (7) and (8) do not have holes. It's soft, the screws can easily fix.

Note: Make sure the position of the projection On (G2) towards Inside.



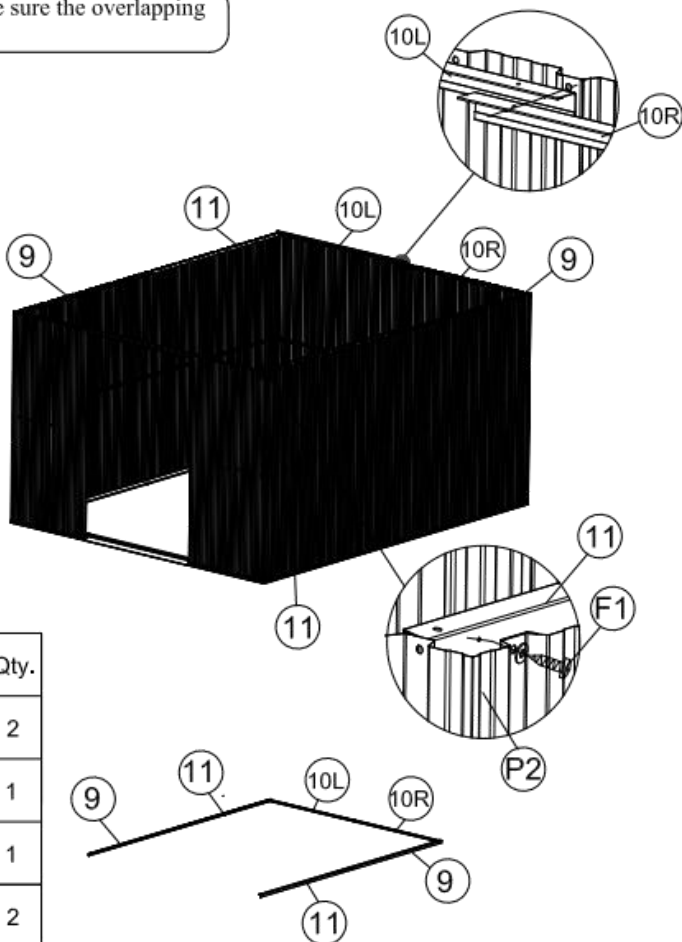
PART	NO.	Qty.
	6	1
	7	1
	8	1
	G2	4
	F1	14

#### Step 4

Place the top angle bars (9), (10L), (10R) and (11) on top of wall panel. Line up the holes with wall panels and fix with (F1) screws.

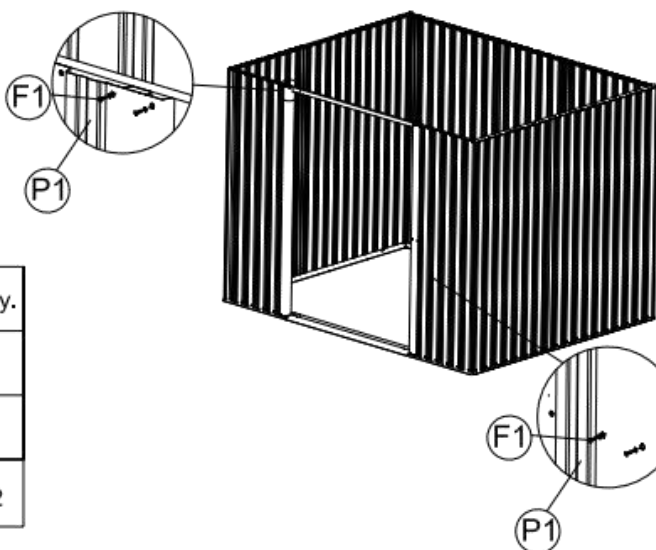
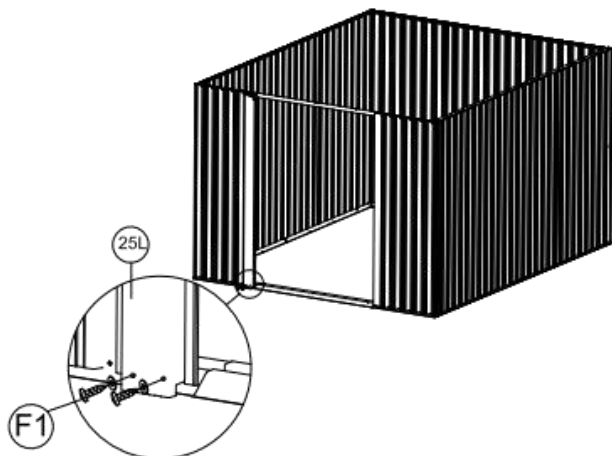
**Note:** Make sure the overlapping position.




Note: Make sure the overlapping position .



## Step 5

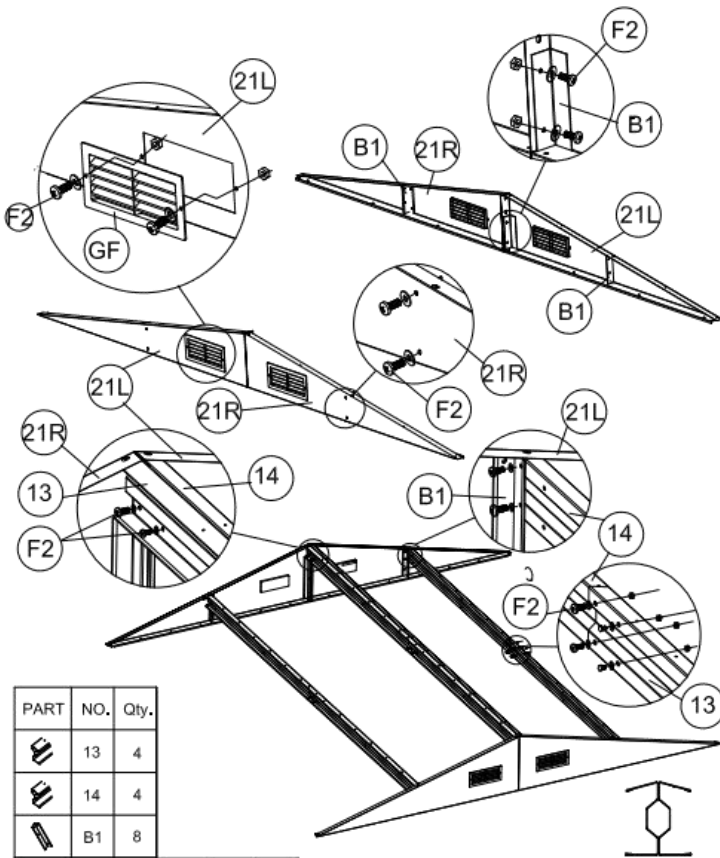
Place the left door column (25L) on the top of base bar (3L), insert into the wall panel. Then secure the door column (25L) with (F1) screws. Repeat the same step for the right door column (25R).



PART	NO.	Qty.
	25L	1
	25R	1
	F1	12

## Step 6

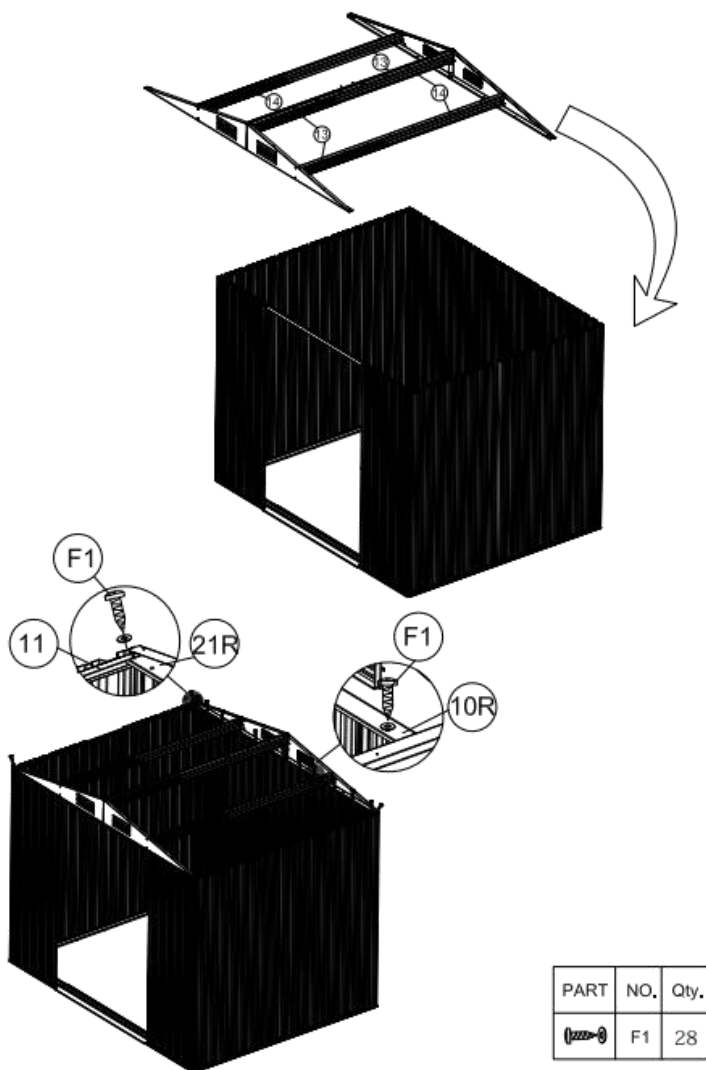
Place 4 pieces of the gable panels (21L) and (21R). Then assemble 2 of each gable panels (21L) and (21R) together with connector (B1), and assemble the connectors (B1) as shown. Secure them with (F2) bolts and nuts. See figure below. Join two roof supports (13) and (14) together then fix 4 sets of roof structures into the gable panels (21L) and (21R). Align the holes and secure with (F2) bolts and nuts.



PART	NO.	Qty.		
	13	4		
	14	4		
	B1	8		
	21L	2		GF 4
	21R	2		F2 40

## Step 7

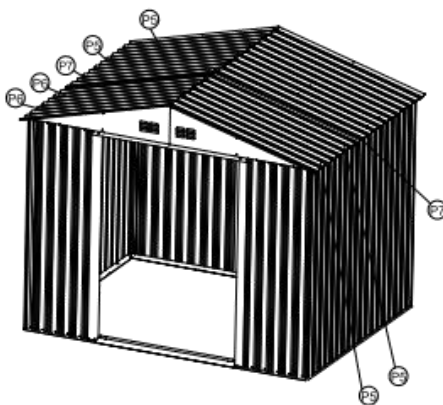
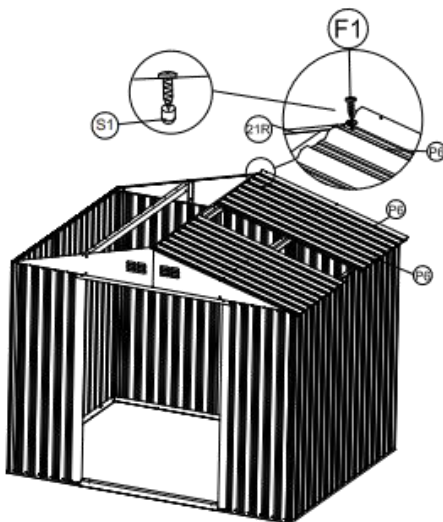
Place 4 pieces of the gable panels (21L) and (21R), (13), (14) on top of the sliding channels (7), (8) and back top bars (10L), (10R). Align the holes and secure them with (F1) screws from inside as shown.








## Step 8

Place the roof panels (P5), (P6) and (P7) on top of gable panel (21L). Line up the holes and secure with (F1) bolts and nuts with washers. Then place the roof panels secure them with (F1) screws with washers.

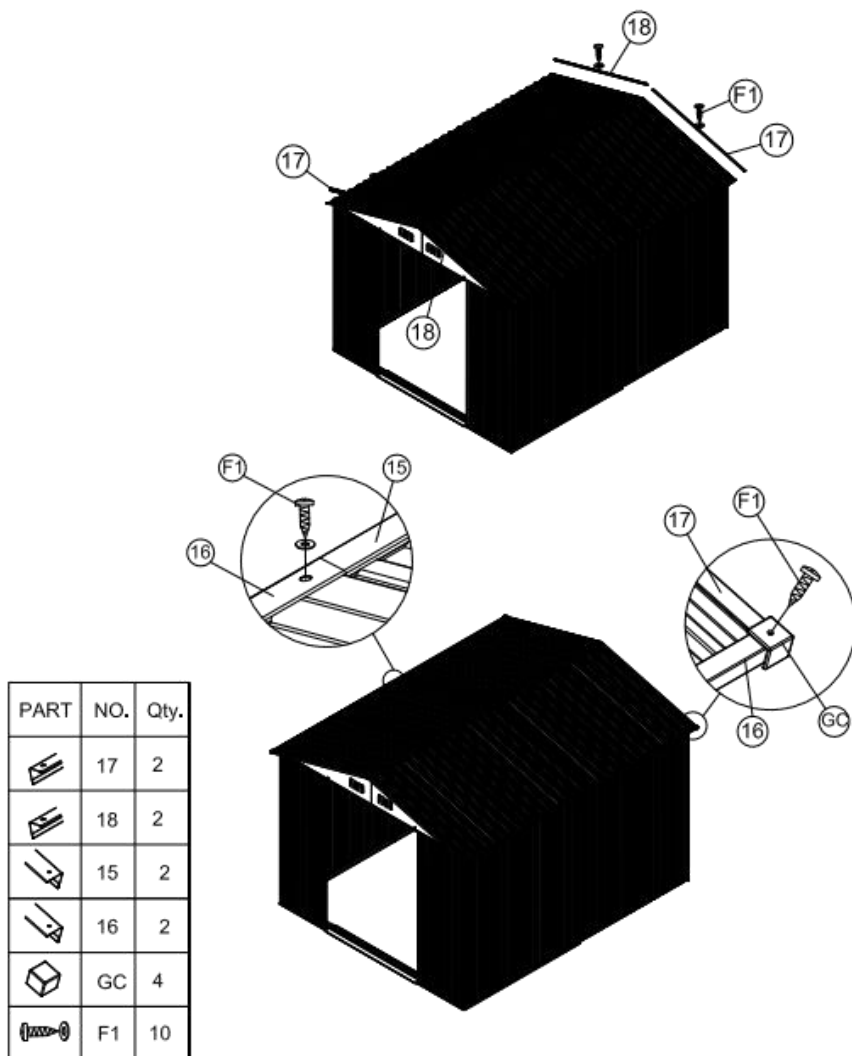
Note:  
Make sure the overlapping  
position for roof panel is as  
shown in blowup



PART	NO.	Qty.
	P5	4
	P6	4
	P7	2
	F1	66
	S1	168

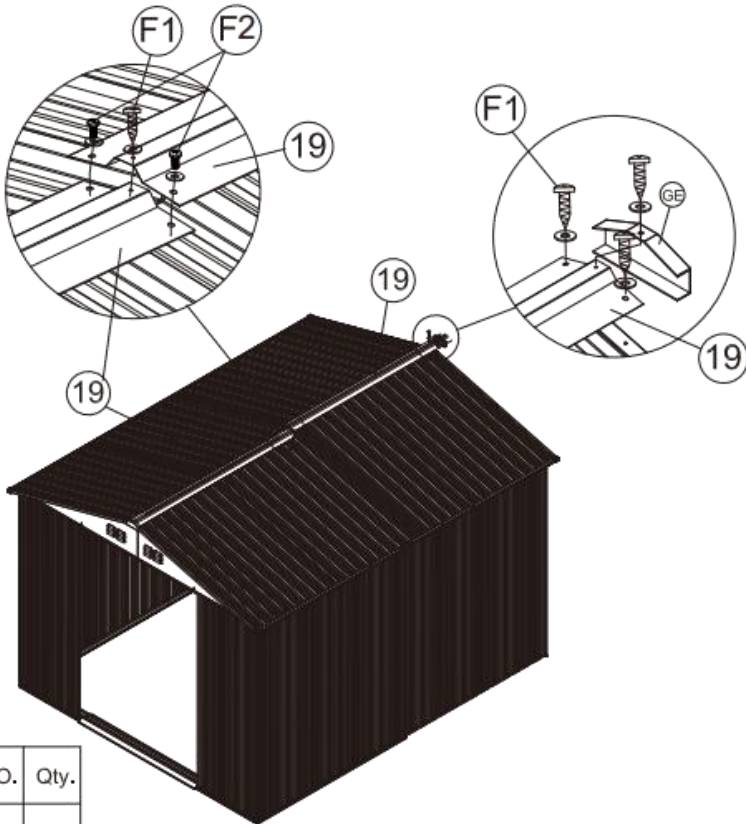
## Step 9

Assemble the roof flashing (15), (16) and (17), (18) with roof panels, secure with (F1) screws with washers. Then place 4 pieces of top corner (GC) on the roof flashing joints, and secure with (F1) screws with washers.



### Step 10

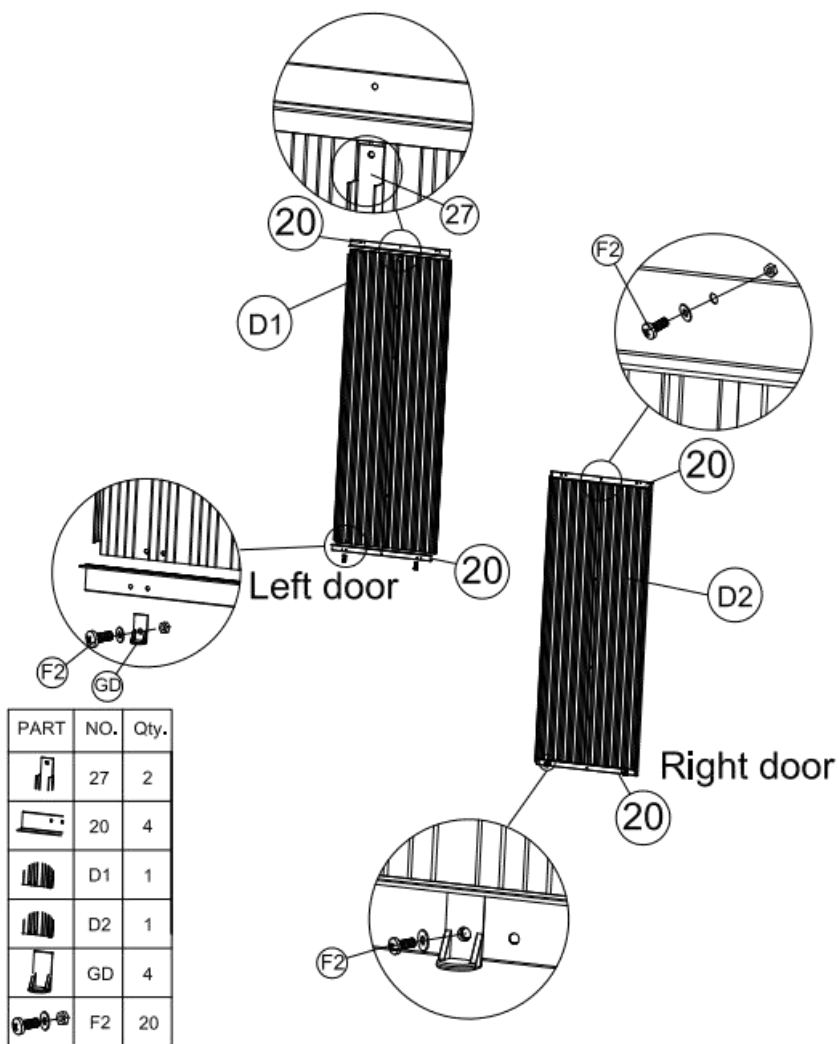
Place two pieces of the roof flashing center (19) on top of the roof panels, line up the holes and secure them with (F1) screws with washers. Then slide the flashing end cap (GE) to the front & back top of the roof and secure with (F1) screws with washers. See figure below.



PART	NO.	Qty.
	19	2
	GE	2
	F1	10
	F2	2

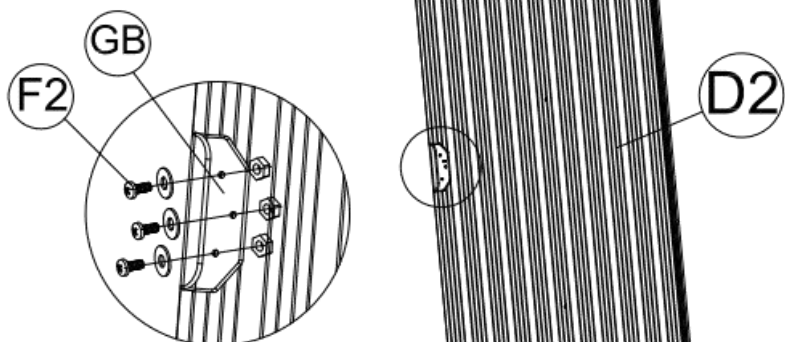
## Step 11

Assemble the door bar (20) to the door panels (D1) and (D2) and fix them with the bar (27). Then assemble the bottom slider (GD) to the door bar (20) at both bottom edges. Secure them with (F2) bolts and nuts with washer.



## Step 12

Fix 2 pieces of the door handles (D2) with door panels from inside with (F2) bolts and nuts.

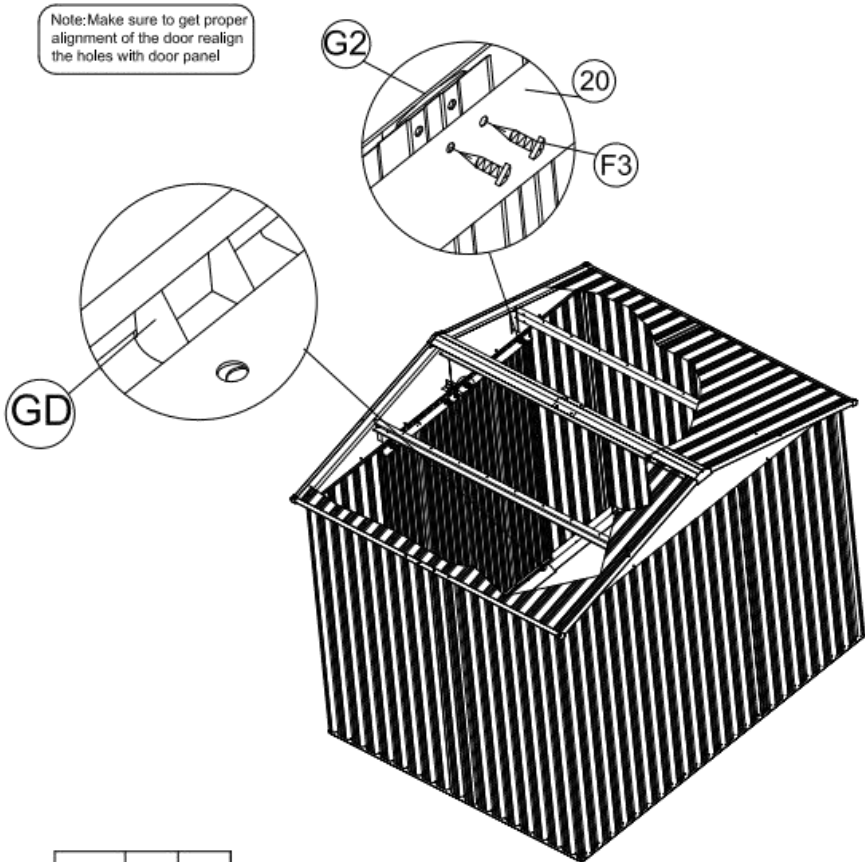



PART	NO.	Qty.
	GB	2
	F2	6

### Step 13

Slide the door panel assembled into the base bar (3L). Make sure the bottom slider (GD) should slide inside the base bar (3L), then fix the door panel top to the top slider (G2) with (F3) screws. See figure below.

**Note:** Make sure to get proper alignment of the door realign the holes with door panel.



PART	NO.	Qty.
	F3	8

## CARE & MAINTENANCE

- Handle components with care due to sharp corners.
- **Finish:** For long lasting finish, periodically clean and wax the exterior surface. Touch-up scratches as soon as you notice them on your unit. Immediately clean the area with a wire brush; wash it and apply touch-up paint per manufacturer's recommendation.
- **Roof:** Keep roof clear of leaves and snow with long handled, soft-bristled broom. Heavy amounts of snow on roof can damage building making it unsafe to enter. In snow country, roof strengthening kits are available for most arrow buildings for added protection against heavy snow accumulation.
- **Doors:** Always keep the door tracks clear of dirt and other debris that prevent them from sliding easily. Lubricate door track annually with furniture polish or silicone spray. Keep doors closed and locked to prevent wind damage.
- **Fasteners:** Use all washers supplied to protect against weather infiltration and to protect the metal from being scratched by screws. Regularly check your building for loose screws, bolts, nuts, etc. and re-tighten them as necessary.
- **Moisture:** A plastic sheet (vapor barrier) placed under the entire floor area with good ventilation will reduce condensation.
- **Other Tips:** Wash off inked part numbers on coated panels with soap and water. Silicone caulking may be used for watertight seals throughout the building.
- Do not store swimming pool chemicals in your building. Combustibles and corrosives must be stored in air tight approved containers.

## **Living and Home**

### **A Home is for Living in**

For comfort and style update your living space.

Browse contemporary and classic designs and find the perfect home to your look and the perfect spot to lounge.

Put your feet up and sink into our stylish home decor.

We are mainly engaged in home, outdoor, home appliances, office, bathroom, provided high quality and affordable products for you. We value every one of our customers and our professional service team is always available to help you.

[livingandhome.co.uk](http://livingandhome.co.uk)