



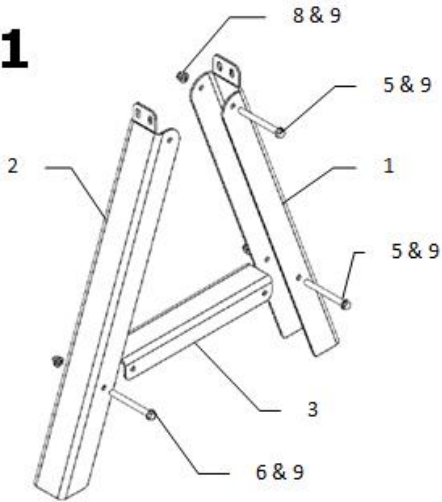
ASSEMBLY INSTRUCTIONS FOR STRONGHOLD 10 TON TRESTLE PAIR



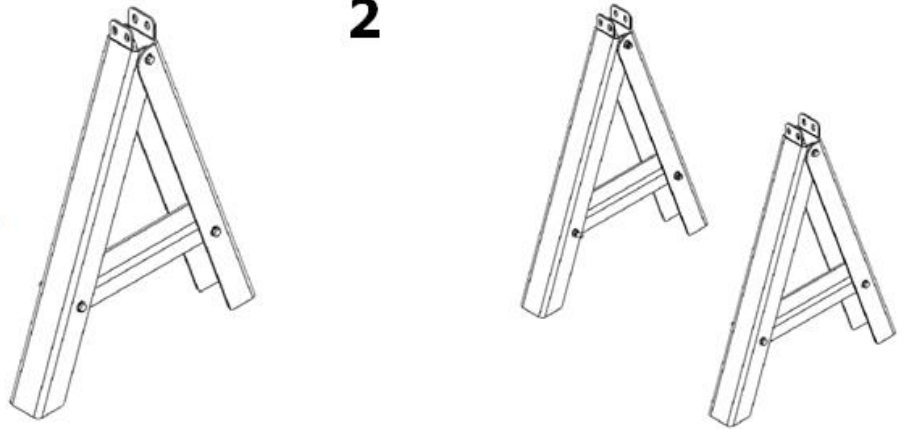
Ensure that bolts on trestle tops are set to a torque force of 60Nm and that rest of bolts are set to a torque force of 40 Nm to comply with the load testing certificate.



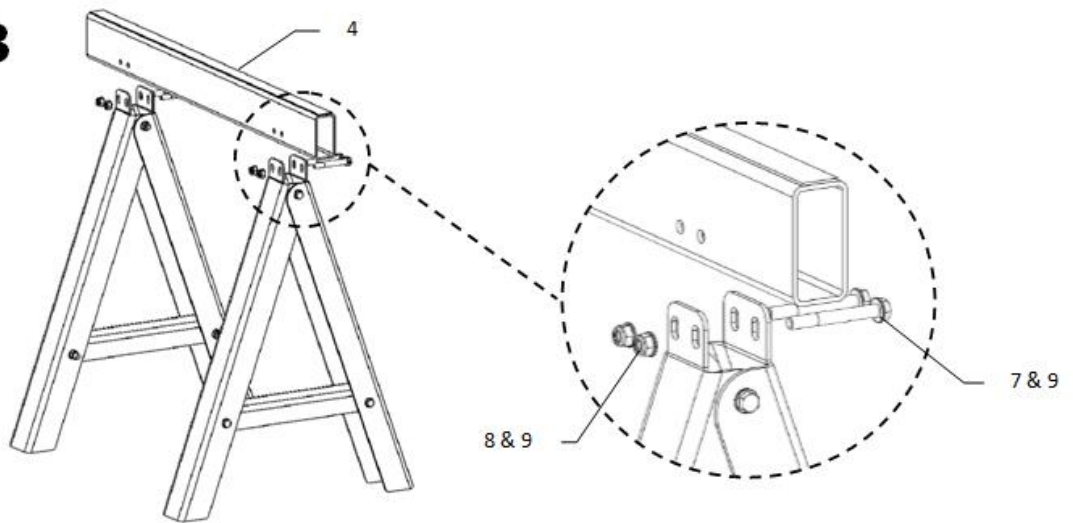
1



2



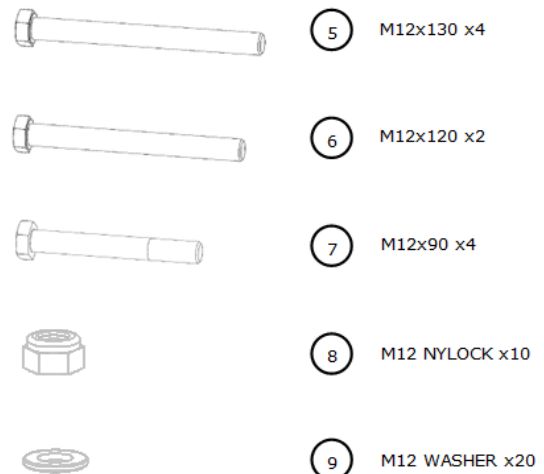
3



CONTENTS (per trestle)



FIXINGS (per trestle) [included on trestle tops package]



TOOLS REQUIRED



19mm SPANNER + TORQUE WRENCH

