

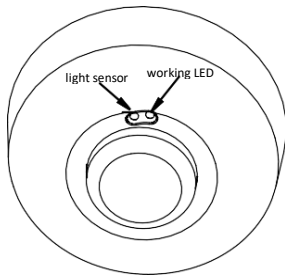
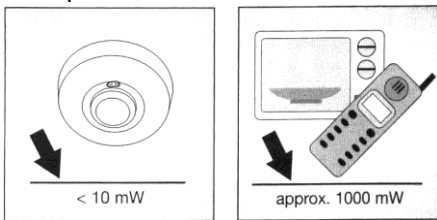
1200w Surface Mounted Microwave Sensor Switch



Please read the instructions fully before attempting installation.

The sensor is an active motion detector, it emits high-frequency electro-magnetic waves of 5.8GHz and receives their echo. The sensor detects the change in echo from even the slightest movement in its detection zone. A microprocessor then triggers the "switch light ON" command. Detection is possible through doors, panes of glass or thin walls.

NOTE: The high-frequency output of this sensor is <10Mw- that is just one 100th of the transmission power of a mobile phone or the output of a microwave oven.

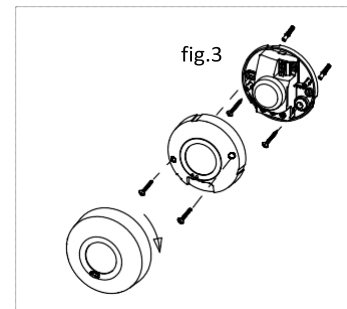
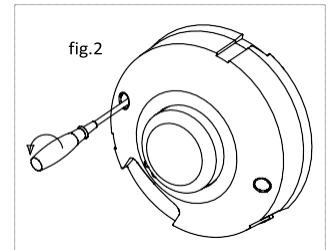
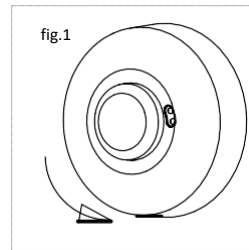


SPECIFICATION:

Power Sourcing	220V - 240V/AC
Power Frequency	50/60Hz
Rated Load	1200W (Tungsten) 300W (Fluorescent/LED)
Time Delay	Min: 8sec ± 3sec Max: 12min ± 2min
Light Control	< 3 LUX ~ Daylight (adjustable)
Detection Range	12m max (<24°C)
Detection Angle	360°
Working Temperature	-10 ~ +40°C
Installation Height	1.8m - 2.5m
Detection Motion Speed	0.6~1.5m/s
Power Consumption	0.45W (work) 0.1W (static)
Working Humidity	<93%RH

Installation

1. Switch off electric at mains.
2. Prepare cable ends for connection to the terminals.
3. Remove top cover by turning anti-clockwise (see fig. 1)
4. Loosen two fixing screws (see fig. 2)
5. Locate desired location and drill holes and insert wall plugs (6mm Dia)
6. Pull power and load wires through back plate.
7. Fit back plate (see fig. 3)
8. Loosen screws on connection block.
9. Connect wires to power according to connection wire marking
10. Tighten screws on connection terminal.
11. Add middle section to base plate (see fig. 3)
12. Add top cover and turn it clockwise (see fig. 3) and for performing the walk test.



Light Control Setting



The chosen light response threshold can be chosen from approx. 2-2000lux. Turn it fully anti-clockwise to select dusk – to - dawn operation at about 2 lux. Turn it fully clockwise to select daylight operation at about 2000lux. The knob must be turned fully clockwise when adjusting the detection zone and performing the walk test in daylight.

Reach Setting



Reach is the term used to describe the radii of the circular detection zone produced on the ground after mounting the sensor light at a height of 2.5m, turn the reach control fully anticlockwise to select minimum reach (approx.3m radii), and fully clockwise to select maximum reach (approx. 10m radii).

NOTE: the above detection distance is gained in the case of a person who is between 1.6m~1.7m tall with middle figure and moves at a speed of 1.0~1.5m/sec. if person's stature, figure and moving speed change, the detection distance will also change.

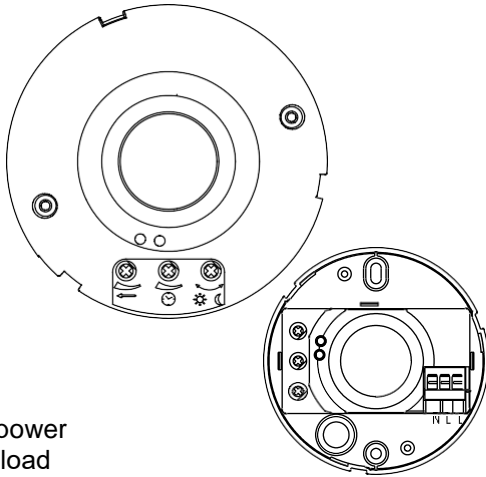
Time Setting



The light can be set to stay ON for any period between approx. 8sec (turn fully anti-clockwise) and a maximum of 12min (turn fully clockwise).

Any movement detected before this time elapse will re-start the timer. It is recommended to select the shortest time for adjusting the detection zone.

Please note: After the light switches OFF, it takes approx. 1 sec before it can detect movement again. The light will only switch on in response to movement once this period has elapsed.



Connection

Connect N, L with power
Connect N, L' with load

Troubleshooting

Malfunction	Cause	Remedy
The load will not work.	Wrong light control setting selected	Adjust setting
	Load faulty	Change load
	Mains switch off	Switch ON
The load is always on	Continuous movement in the detection zone	Check zone settings
The load work without any identifiable movement.	The sensors not mounted for detecting movement properly	Secure mount enclosure
	Movement occurred, but not identified by the sensor (movement behind wall, movement of a small object in immediate lamp vicinity etc.)	Check zone settings
The load will not work despite movement.	Rapid movements are being suppressed to minimize malfunctioning or the detection zone you have set is too small	Check zone settings

Guarantee

This 1200w surface mounted microwave sensor switch is guaranteed for a period of 12 months from date of purchase.

Please retain for future reference

Lowenergie is a registered Trademark



www.lowenergie.com

Lowenergie, UK