

DOOR INSTALLATION INSTRUCTIONS

Steel Personnel Pedestrian Door [Generation 2]

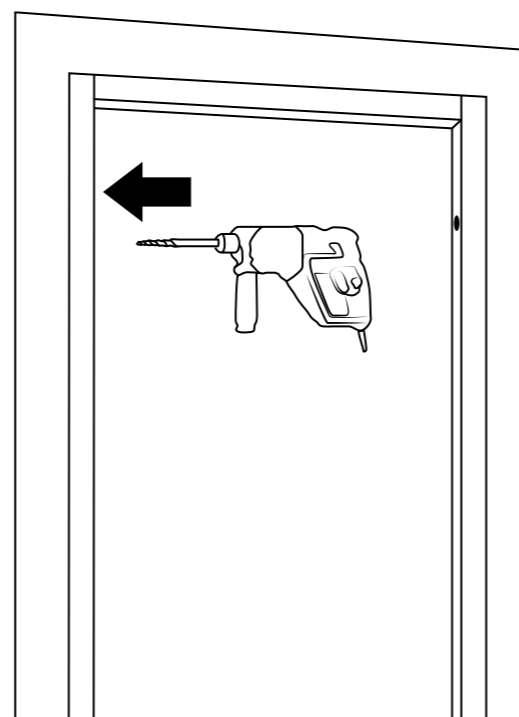
5pm CUT OFF TIME.
 NEXT DAY DELIVERY.
 TRADE BULK DISCOUNT

1



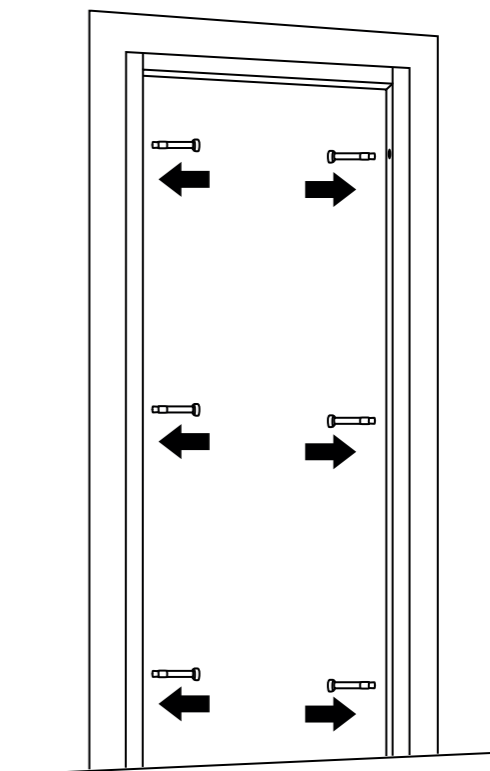
Fit door in the hole hinged in the correct orientation (NOTE door is universal, ie. can be fitted hinged on the left or right, just rotate 180° to so hinged on the opposite side.

2



Once door is square & firmly in position, using the pre-drilled tabs, mark fixing positions on the building lining/frame & drill using suitable drill bit.

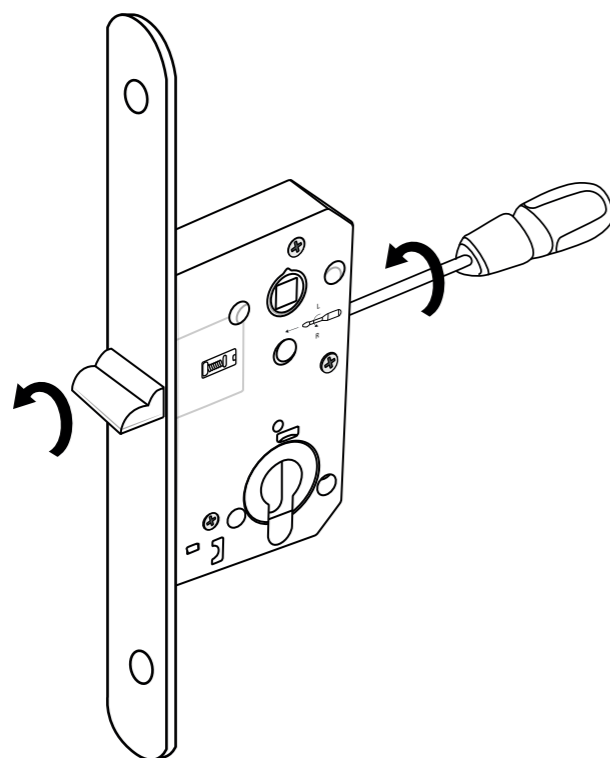
3



Use anchor bolts or suitable frame fixings to secure in place (washers are advised) . NOTE - due to various types of frame being installed into ie. brick, metal, timber, we are unable to supply the door with fixings.

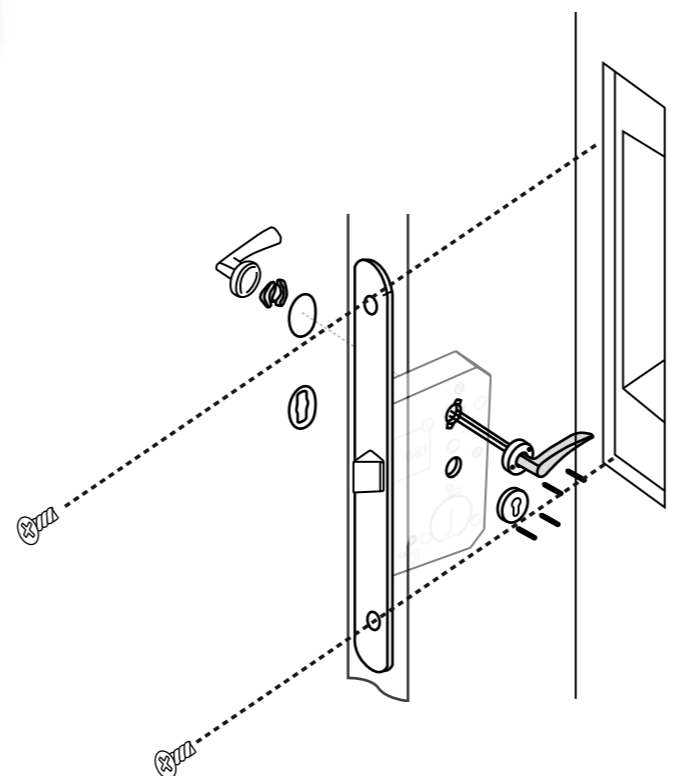
Optional: if ordered the extra add on vanity trim tot cover any caps/voids, this can be fitted on the opposite side & secured with suitable adhesive /mastic.

4



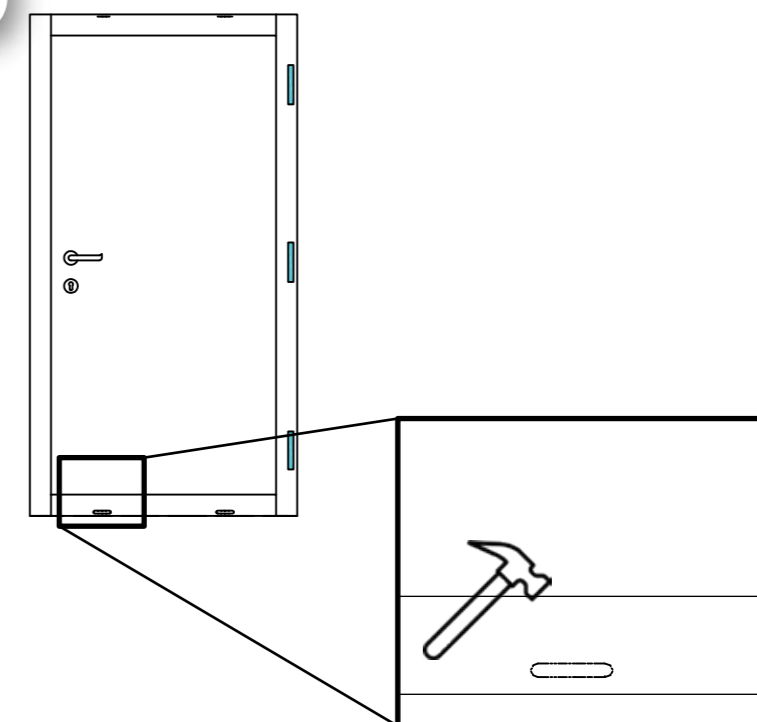
The lock mechanism latch can now be rotated to suit your configuration ie. hinged left side or hinged right side using a screwdriver as shown.

5



Insert the lock mechanism cassette into the door & secure with the 2 x M5 screws as shown.

6



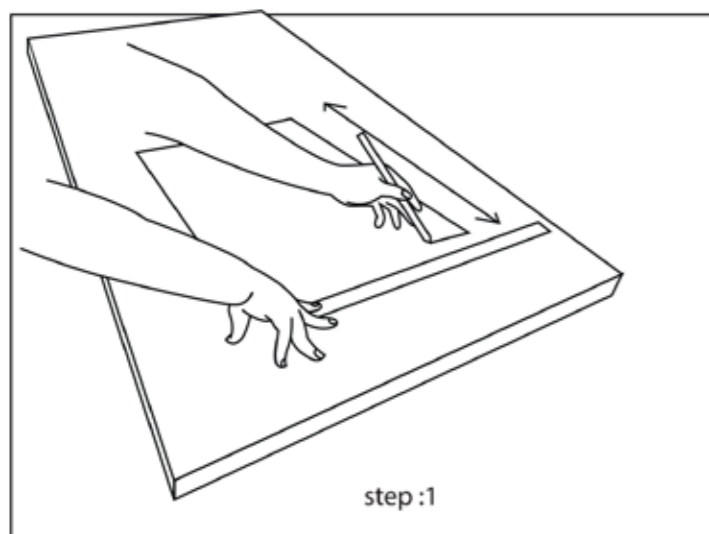
If using the door to open inwards, its recommended to knock out the 2 weep holes in the footer of the exterior. A rain drip guard (sold separately) is also advisable to be fixed to the door.

ACCESSORY INSTRUCTIONS

LOUVRE VENT / WINDOW VISION PANEL INSTALLATION

5pm CUT OFF TIME.
 NEXT DAY DELIVERY.
 TRADE BULK DISCOUNT

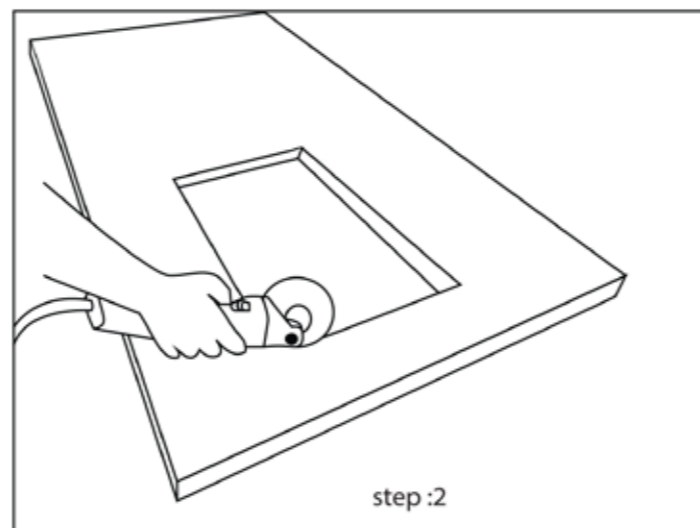
1



step :1

Lay door on a flat stable surface taking care not to scratch or damage the door. Mark out the cut with a pencil in the desired position using a straight edge & pencil . Note, 150mm clearance must be left around all 4 sides of the door. You can use the internal measurement of the vent/window frame as a template to draw around.

2

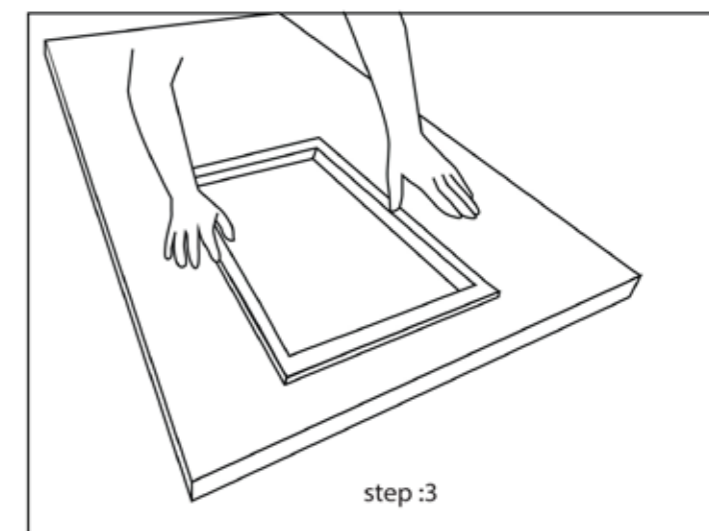


step :2

OPTIONAL: drill 4 corners through both faces of the door to ensure alignment before cutting.

Using angle grinder (or similar metal cutting device) cut the marking on both sides. Ensure to follow a tight line and file off any sharp edges.

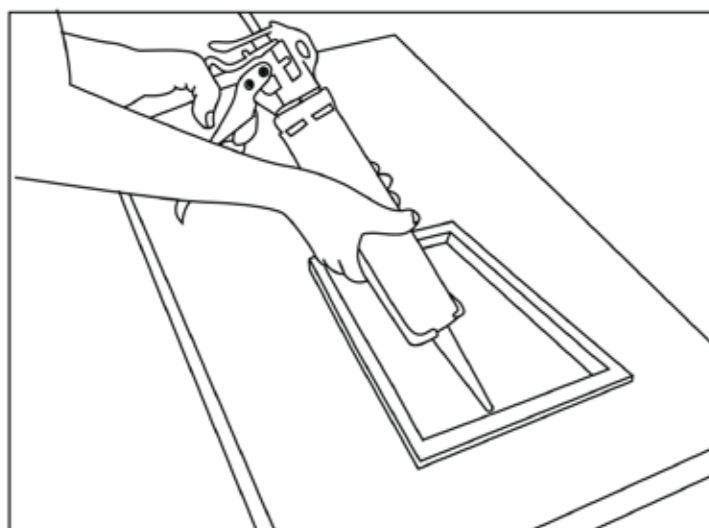
3



step :3

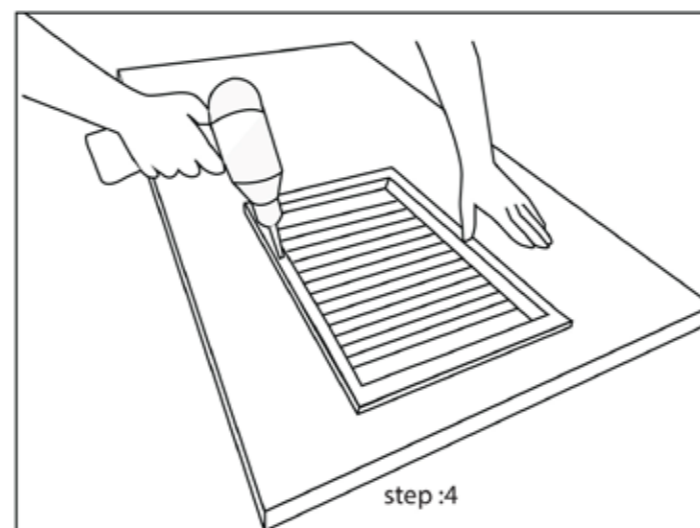
Insert window or louvre vent frame on both sides and check snug fit. If need to recut accordingly. Once satisfied with the aperture, begin if the EXTERNAL FACE first.

4



Place small silicone bead front both sides and top only. Insert frame pre-fitted with glass / louvre vent first to the external face. Apply adhesive tape to hold in position.

5



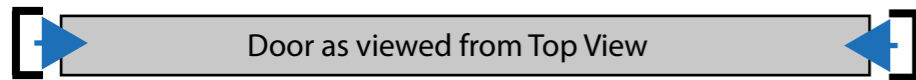
step :4

Turn door over, holding the window/vent frame in place. Apply silicone bead as step 4, insert frame and clip into position & fix using the self tapping/drilling screws provided. Wipe off any excess silicone.

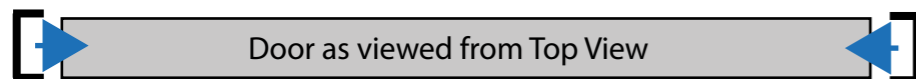
1



35mm Kit
 Expandable Width 10mm - 60mm



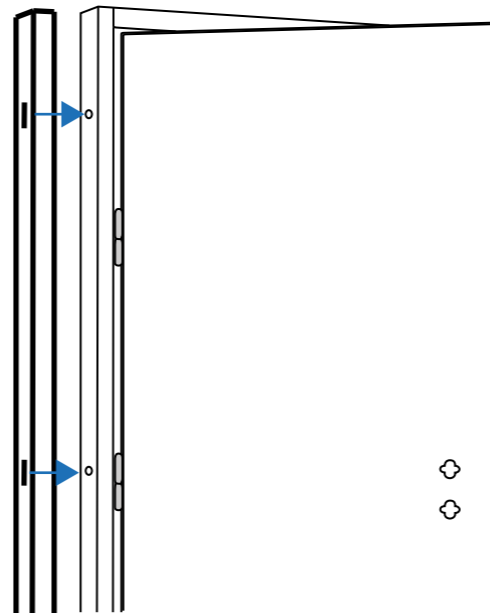
55mm Kit
 Expandable Width 35mm - 100mm



Our standard door widths are 840mm / 940mm / 1040mm. If you need a door with inbetween these, we have extension side infill panels. Simply select which size of kit you require:

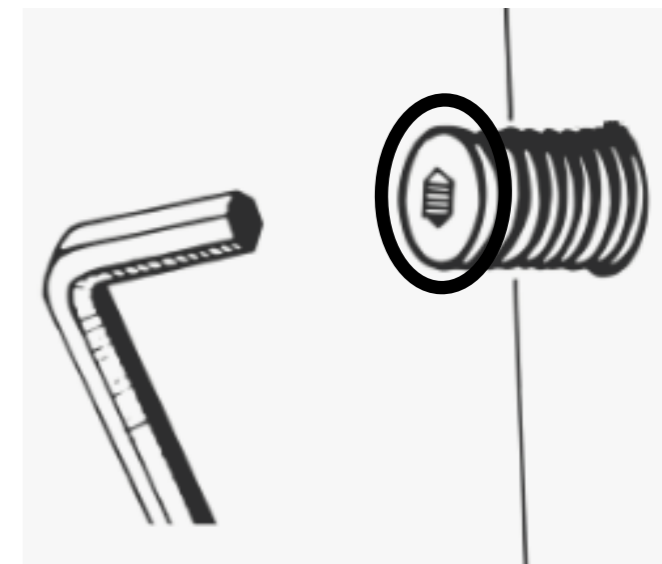
- 35mm kit: 10mm (1 side only) to 60mm (2 sides)
- 55mm kit: 35mm (1 side only) to 100mm (2 sides)

2



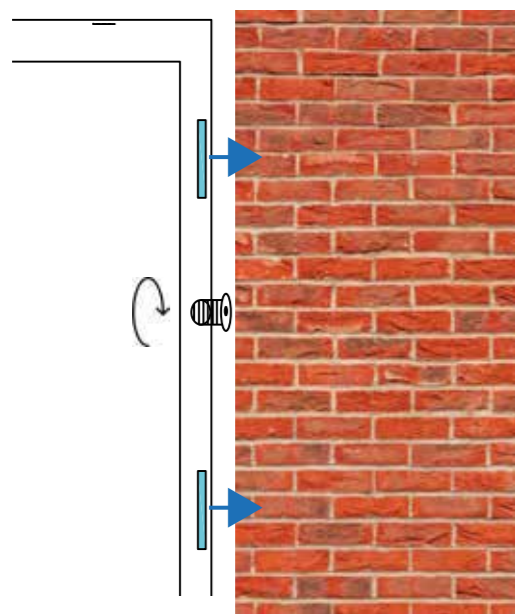
Screw in the window out lugs into the extension & screw over the side of your door. Repeat on both sides if necessary.

3



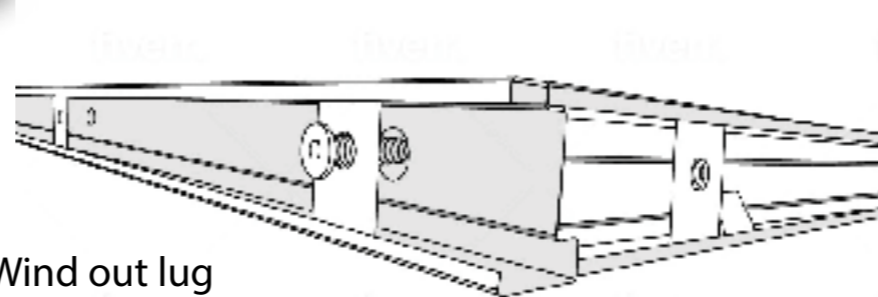
Hold the side panels in position & insert the door into the aperture. Prop the door in position (2nd person may be required), open the door and locate the wind out lugs through the tabs on the inside of the frame. Using a hex key, wind in or out the lugs until the frame extension sites tight against the aperture. **DO NOT OVERTIGHTEN.**

4

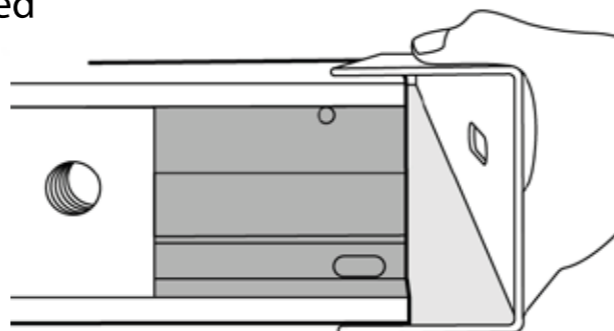


Repeat step 3 for all 8 lugs. note - the lugs are designed to guide the extension into position **ONLY**. They are not structural, as such do not overtighten as this will strip the thread. Further to that, screw fixings directly into the aperture are required to hold the door in position.

5

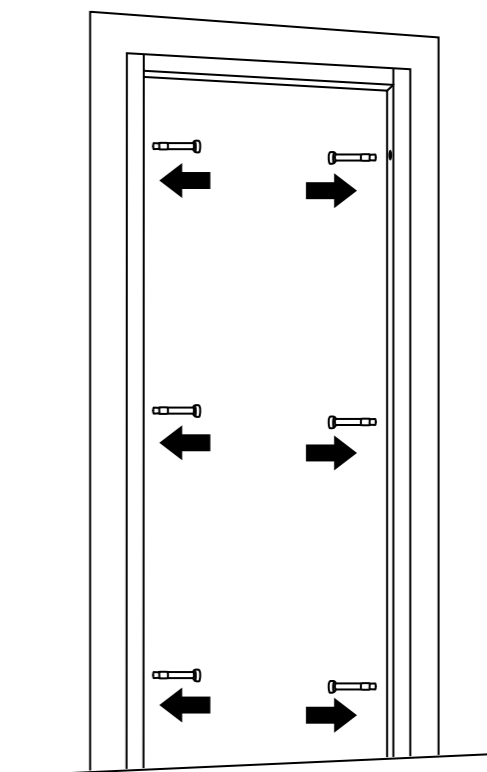


Wind out lug until fill desired gap



If you require extension of the head, we also sell a universal head kit. This is 1140mm wide but can be cut to suit your aperture.

6



Once the side /head expansion panels are firmly in place (NOTE do not overtighten), continue to drill and use suitable screw fixings as normal to secure.

Steel Security Door – Operations & Maintenance Manual

The door assemblies consist of various components, each presenting unique maintenance considerations. We recommend performing maintenance on the doors and associated hardware every two months. This schedule can be adjusted after the initial visit, based on actual usage.

Proper maintenance of all components is crucial; neglecting any part can lead to premature wear or malfunction. For example, a door blade may appear undamaged, but if the panic hardware is untested, it could pose a safety risk.

Please note that all doors come with a manufacturer's warranty (see terms and conditions for details). This warranty may be voided if maintenance is not performed as outlined in this manual.

Door Maintenance

Inspect door alignment every 6 months to ensure the door and frame are true. Doors should be free of dents and scratches and should operate smoothly. Regularly check door seals for proper fit and signs of damage.

Ensure doorways are free from obstructions to allow unimpeded operation. Daily visual inspections should be conducted to promptly identify any damage. Report any issues to the designated responsible person for timely resolution.

Locks and panic hardware must be checked for proper operation, and adjustments made as necessary. For any malfunctioning ironmongery, please contact us for assistance.

Latches & Hinges

Hinges should be installed accurately for optimal performance, with all hinge pins aligned vertically. Periodic inspections are necessary to check for wear that could hinder movement or cause the door to sag.

All screws should be tightened to prevent loosening, which is often caused by misalignment or improper screw choice. Loose screws should be addressed, either through tightening, realignment, or by using more suitable screws.

Lubricate hinges with light machine oil periodically. Squeaking indicates a need for lubrication, but frequent squeaks may suggest misalignment issues. For stainless steel hinges, dust regularly, wash with warm soapy water, and avoid abrasive cleaners. A light grease coating is recommended post-cleaning.

Correctly fitted locks and latches may still malfunction due to door or frame movement caused by environmental factors. Adjust the latch and deadbolt positioning if needed.

Regularly check for debris in the mortise and ensure that frame holes behind striking plates are clear to facilitate smooth bolt movement. Lubricate latch bolts, avoiding grease on internal mechanisms to prevent dust attraction.

Cylinders

Avoid oil lubricants on cylinders, as they attract dust. Use powdered graphite periodically for maintenance.

Lever Handles

Check backplate and rose fixings for tightness. Poorly maintained hardware can impede lock function. Ensure spindle grub screws are secure.

Pull Handles

Inspect pull handles for tight fixings. Loose handles can damage the door.

Emergency and Panic Exit Hardware

Regular inspections are vital for safety. Ensure ease of operation and adjust for any door or frame movement. Keep floor sockets clean to allow free movement of bolts. Light machine oil can be applied to pivot points.

Outside access devices (OADs) on fire exit doors should only be used for limited access to maintain their functionality.

Paintwork

Steel doors typically feature a powder coat or stainless steel finish. Clean as follows:

- General dirt: Use a non-abrasive cleaning solution diluted in hot water. Wipe with a wrung cloth to avoid soaking.
- Specific issues: Seek specialized advice for specific stains or problems.
- Surface damage: Touch up scratches with a compatible paint system

Care of Finishes

Corrosion often results from dirt and moisture on metal surfaces. In harsh environments, acidic or alkaline deposits can deteriorate finishes. Proper maintenance is essential for longevity.

Regularly dust surfaces with a soft, dry cloth, and occasionally clean with warm soapy water. Follow up with a quality wax polish to protect finishes. Avoid chemical sprays, abrasive cleaners, and materials that could damage surfaces.

- Electro-Plated Finishes - Clean with soapy water and a soft cloth, then dry.
- Powder Coating and 2-Pack Paint Finishes - Use a soft cloth and household furniture polish for cleaning; avoid industrial solvents.

Refinishing and On-Site Repairs

Remove all hardware before repainting. Never paint over hinges or locks. For minor dents, use car body filler and weatherproof paint.