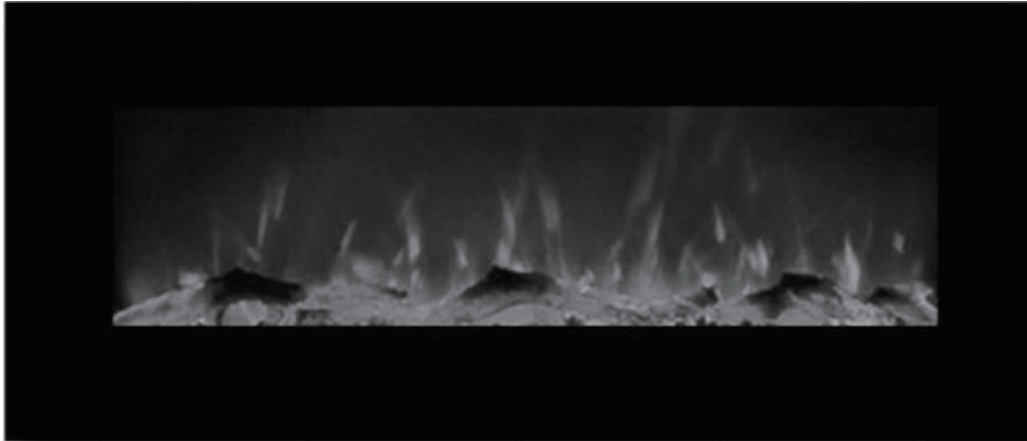




# Wall Mounted Electric Fireplace

(With Remote Control)

Model# WF- 1350



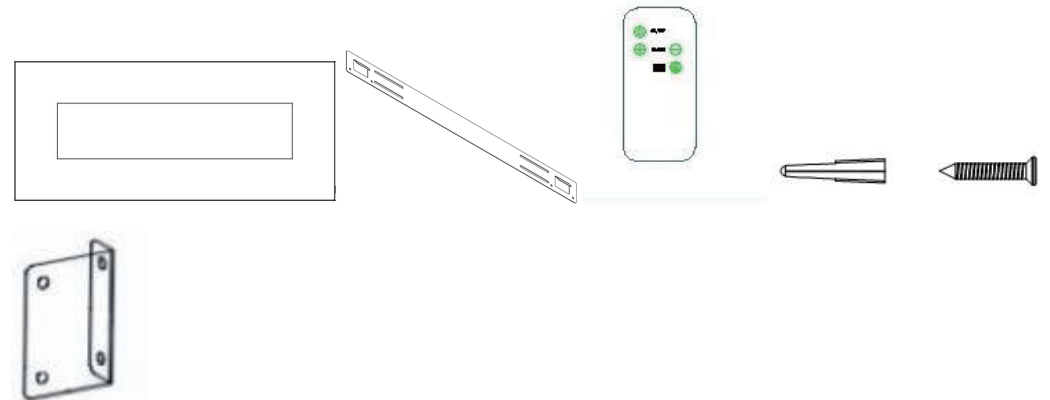
Please read all instructions carefully and  
Retain for future reference

### Getting Started

- Remove the appliance from the box.
- Remove any packaging from the product.
- Place the packaging inside the box and either store or dispose of safely.

### Contents of Carton

- Heater
- Wall fixing bracket and screws
- Remote control
- one pc bracket and one pc bottom bracket
- 4pcs 6x25mm top bracket
- 2pcs 4\*8mm and 2pcs 6x25mm to fix bottom bracket
- 1 Instruction Manual



### Helpful Advice before Fitting

- Please retain all packaging until you have checked and counted all the parts and the contents of the hardware pack against the parts list.
- The hardware pack contains small items which should be kept away from young children.
- We suggest that you open the hardware pack and place all the contents into a container, therefore reducing the risk of losing any small pieces.

### Installation (see Fig1 ~ Fig 5)

- Do not connect the appliance until properly fixed to the wall and the instructions are fully read.
- The minimum distances must be observed in the diagrams.
- For installation of the appliance, care must be taken not to damage concealed cables.
- Please be careful while drilling the holes.

## Wall Mount Instructions

- This appliance is designed to be fixed to a wall at a minimum height of 300mm and the minimum distance from the top of the heater to the ceiling should be 1000mm. The wall bracket must be fitted horizontally and the cable routed to the bottom right of the heater.
- A distance of 600mm from the bottom of the heater to the floor is recommended. **ATTENTION!**----If there is carpet below, you can increase the height appropriately.

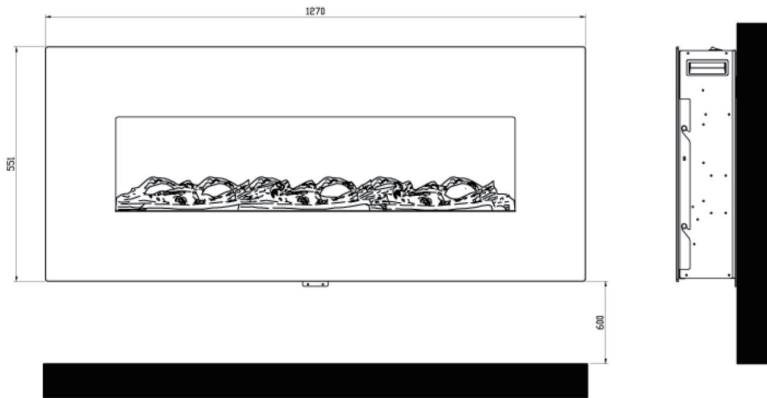


Fig.1

- For optimum viewing, mark the top four screws ( fixing positions on the wall in accordance with the recommended fixing dimension; See Fig.2

Note: Ensure the bracket is level by using a spirit level whilst marking out the hole positions.

- Drill holes with a No.6 drill bit.
- Fix the wall bracket using the plug and 6x25mm screws provided.
- Carefully lift up the heater ensuring the top rear ledge of the heater engages with the wall bracket(see Fig.2) and is sitting centrally. This process should be carried out by two people to avoid injury or damage to property or the appliance. Mark the bottom hole position, remove the heater ensuring that the bottom fixing bracket is rotated upwards.
- Gently bring the heater down against the wall, see fig.3

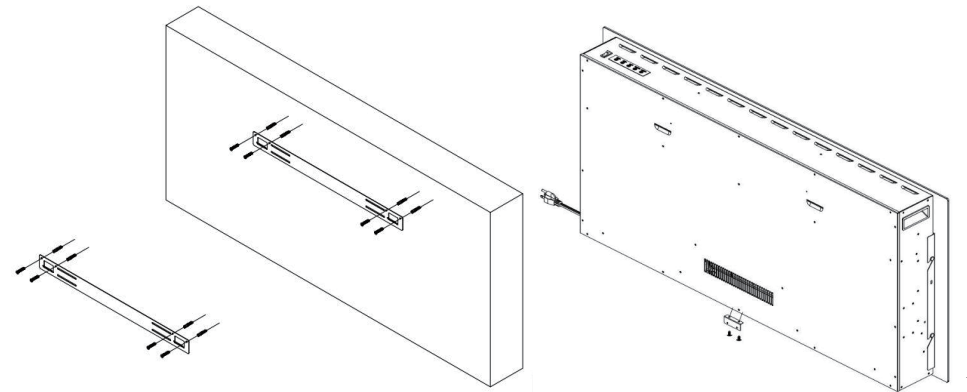


Fig.2

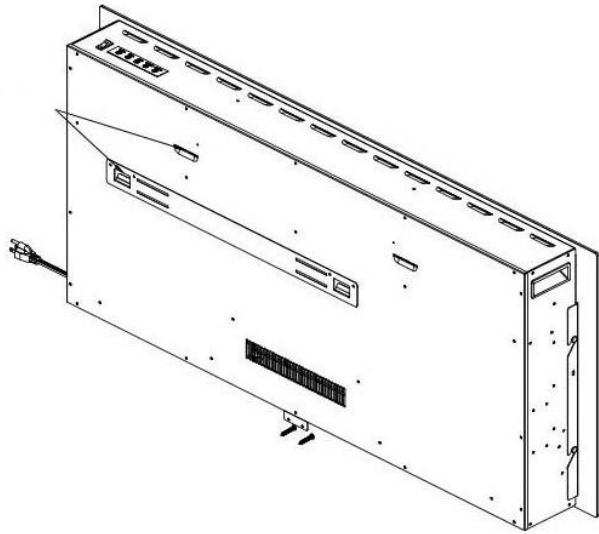


Fig.3

- Place the front glass surround over the front of the fire aligning the slots in the bracket at each side of the glass panel with the lugs on the sides of the fire; See Fig.4
- Again, two people will be required for this operation.

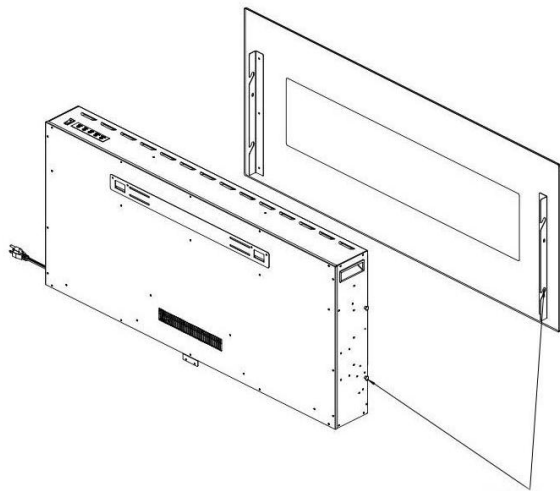


Fig.4

- Handle it with care.
- Fix the tempered glass with 2pcs of 4\*8mm screws provided.(Fig.5)

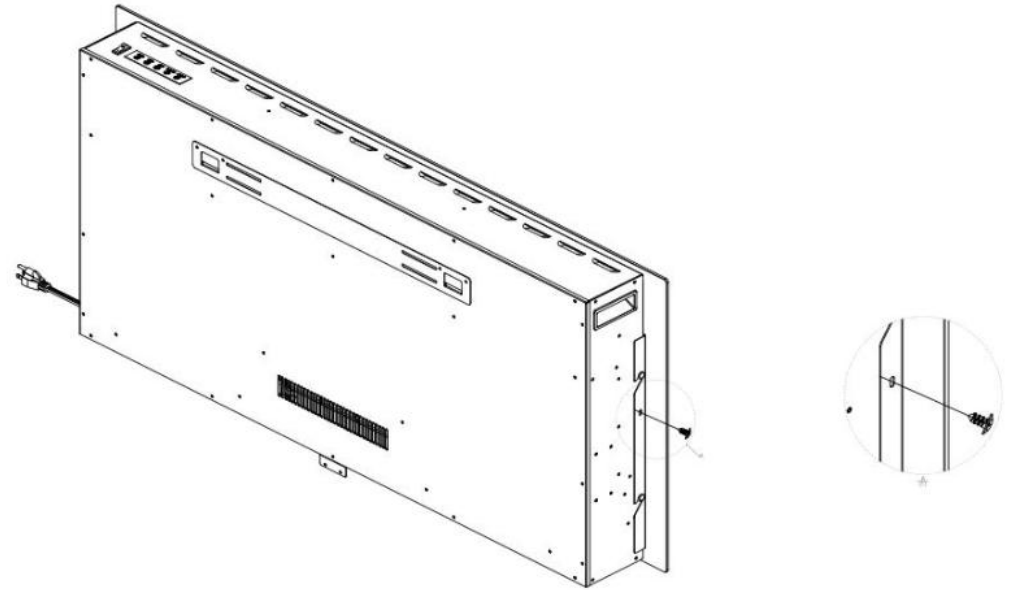


Fig.5

### Manual Operation

- The switches located at the center right hand side of the fire .The standby switch must be first switch on.

IMPORTANT: THESE INSTRUCTIONS SHOULD BE READ CAREFULLY AND RETAINED FOR FUTURE REFERENCE

### Instructions for Use

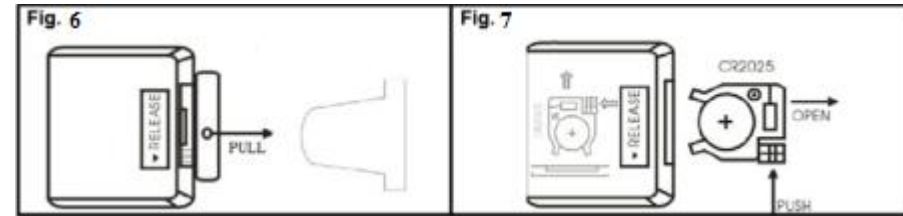
- The appliance can be operated either by the switches located on the top right hand side of the fire or by supplied remote control.

## TO ACCESS CONTROL PANEL



- The standby switch located at the center right hand side of the fire must be first switch on.
- It takes some time for the receiver to respond to the transmitter. Do not PRESS the buttons more than once within two seconds for correct operation.
- Press once the button ON/OFF on the remote control this turns ON/OFF the appliance and fire effect.
- Press the DIMMER button for operates the dimmer mode. Each time the dimmer button is Pressed, the intensity of the flame decrease. There are 5 brightness levels you can cycle through and the OFF setting.
- Press once the HEAT button for the low heat setting(900W); press twice for the high heat setting(1800W); press again to turn off the heater.
- Temperature setting. The highest temperature of the thermostat is 82F. There are several thermostat levels you can cycle through between 62F and 82F, and the OFF settings.
- Timer setting. Press the TIMER button to cycle through the timer settings (1Hour, 2H,3H,4H,5H,6H,7H,and 8H) and the OFF setting.

## Infrared Remote control



Remote control requires one 3V CR2025 Lithium Cell Battery (included). Remove the protective sheet between the battery and the contacts in order to operate (see Fig 6. and Fig.7).

## REPLACE THE REMOTE CONTROL BATTERY

When the remote control stops operating or its range seems reduced. It is time to replace the battery with a new one.

1. The battery compartment is located on the back end of the remote.
2. Press and slide the battery door open and remove the old battery.
3. Insert a CR2025 battery, checking that the “+” and “-” terminals of the battery matches the inside of the battery compartment.
4. Replace the battery compartment door.

DO NOT mix old and new batteries.

DO NOT use rechargeable silver oxide cell batteries with remote control unit.

DO NOT mix alkaline. Standard (Carbon-zinc). Or rechargeable (Nickel - Cadmium) batteries.

DO NOT dispose of batteries in fire. Improper disposal may cause batteries to leak or explode.

## Important Safety Instructions

When using this electrical appliance, basic precautions should be followed to reduce the risk of fire, electric shock, and injury to person, including the following :

- This heater must be used on an AC supply only and the voltage marked on the heater must correspond to the supply voltage.
- Do not switch the appliance on until it properly installed and described in this manual.
- Do not leave the appliance unattended during use.
- Do not leave the appliance unattended whilst connected to the mains supply.
- Keep out of reach of children and do not allow them to operate this appliance.
- From time to time, check the cord for damage .Never use the appliance if the cord or any part of the appliance shows signs of damage.
- Do not operate this appliance with a damaged plug or cord, after a malfunction or after being dropped or damaged in any way.
- Repairs to electrical appliances should only be performed by a qualified electrician. Improper repairs may place the user at serious risk.
- Do not run the cable under carpets, rugs etc.
- Do not allow the mains cable to hang over sharp edges or come into contact with hot surfaces.
- WARNING: In order to avoid overheating, do not cover or obstruct the heater in any way.
- Overheating will result if it is accidentally covered.
- Never immerse the product in water or any other liquids.

## LED Bulb Replacement

Note: The flame effect on this electric fireplace insert is created by LED Bulbs.

The life of these LED bulbs will be 100,000 hours. The users are not recommended to Replace the LED Bulbs. For any reason should the bulbs stop working properly, contact a Qualified technician.

## Cleaning:

- Turn heater OFF and unplug from electrical outlet before any cleaning or maintenance is performed. Wait at least 10 minutes to allow all components to cool properly.
- Use a vacuum or duster to keep heater and vent area clean from dust and dirt.
- The exterior of the fireplace should be cleaned with a damp cloth or duster. Do not use abrasive cleaners or liquid sprays.



## WARNINGS AND CAUTIONS

**WARNING** To avoid electrical shock not open the back panel of the insert unless the

Power has been turned off. And the insert has been unplugged.

**WARNING** Any electrical repairs to this electric fireplace. Should only be Performed by a qualified technician.

**WARNING** Any electrical wiring repairs should only be performed by a qualified Technician. And also must comply with local buildings codes.

**WARNING** Discontinue use of this electric fireplace if any of the follow has Occurred: Water damage. If insert has been or dented. If power cord has Become broken. If power cord becomes hot to touch, if unit smokes or Smells like smoke.

**Note:** When the heat functions is used for the first time. A slight odor may be Present. This is normal and should be occur again unless heater is not used For extended periods of time and dust is allowed to accumulate on heater Element.

## Technical Specification

- Supply: 220V/50Hz
- Rated power:900W/1800W

Meaning of crossed - out wheeled dustbin:

Do not dispose of electrical appliances as unsorted municipal waste, use separate collection facilities.

### Safety Cut-Off

- This appliance is fitted with a safety cut-off which will operate if the fire overheats (e.g. due to blocked air vents) .For safety reasons, the fire will NOT automatically reset.
- To reset the appliance, disconnect the appliance from the mains supply for at least 15 minutes. Reconnect the supply to the mains and switch on the appliance.

### Troubleshooting

Symptom	Solution
No operation/no fan,	Check fuse by replacement, Check for safety cut-off operation,
No fire effect light,	Check the LED light with technician.



Meaning of crossed - out wheeled dustbin:

Do not dispose of electrical appliances as unsorted municipal waste, use separate collection facilities.

Contact you local government for information regarding the collection systems available.

If electrical appliances are disposed of in landfills or dumps, hazardous substances can leak into the groundwater and get into the food chain, damaging your health and well-being.

**When replacing old appliances with new ones, the retailer is legally obligated to take back your old appliance for disposals at least free of charge.**