



OUTDOOR GAS BBQ GRIL

SAFETY WARNING

- Please read the instructions and all safety warnings carefully before assembling or using this charcoal grill. Failure to follow safety warnings may result in personal injury or property damage.
- Please assemble and use the oven with caution.
- Dispose of packing materials properly.
- Take care to avoid injury when moving or lifting the oven.

APPLICABLE PLACES

- This product is limited to outdoor and family use.
- The product should be placed on a hard, level surface.
- When the product is in use, flammable materials are not allowed within a radius of 3 meters.
- Store the product in a sheltered outdoor space in windy conditions.
- Keep the product away from children when using it.
- When moving the products, pay more attention to avoid unnecessary injury.
- When using the product, do not move or adjust the direction.

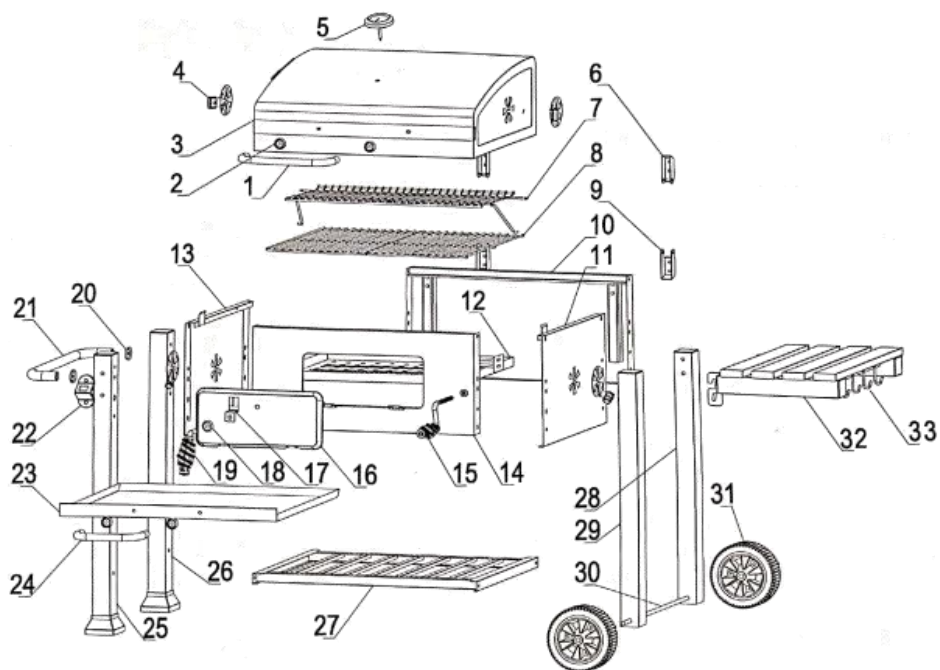
IGNITION INSTRUCTION

- When using the product for the first time, it is recommended to set the charcoal plate to the lowest level, add a small amount of charcoal to ignite and preheat the oven.
- Never light charcoal with gasoline, kerosene, or ethyl alcohol. The use of these fuels (or similar fuels) can result in a sudden combustion or explosion that can cause personal injury.
- When using ignition fluid, the top lid should be opened until the charcoal and ignition fluid are completely burned. Closing the top lid too early will cause a large amount of smoke to accumulate inside the product. When the top lid is opened again, the inside of the oven will suddenly burn or explode.
- Do not use ignition fluid after ignition.
- The ash tray needs to be placed in the correct position before ignition.

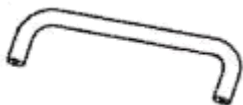
OPERATION REQUIREMENT

- Open the lid of the charcoal stove and the grill door, remove the grill net, and add the appropriate amount of charcoal. Please do not add more than 1.5KG of charcoal.
- The temperature is high during use, do not touch the surface of the product.
- When using the product, the temperature of the carbonized door handle may be high. Please wear protective gloves, do not wear loose clothes, and do not let your hair touch the oven.
- The weight of the side platform shall not exceed 10KG.
- Keep a fire extinguisher on hand when the product is in use.
- When the flame comes into contact with fresh air, it is more likely to cause sudden combustion. Care should be taken when opening the lid or grill plate. Closing the damper can play the role of fire extinguishing.
- In view of the product surface treatment and metal lifespan, the service temperature of the product needs to be controlled within 200°C. Do not let burning charcoal or wood touch the surface of the grill.

PART LIST



COMPONENTS



1: Handle of Top Lid (x1)



2: Handle Holder



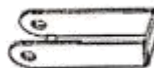
3: Top Lid (x1)



4: Damper (x4)



5: Temperature Gauge (x1)



6: Hinge (x2)



7: Warming Rack (x1)



8: Grill Net (x2)



9: Hinge (x2)



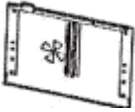
10: Back Panel (x1)



11: Right Panel (x1)



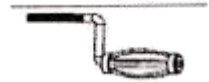
12: Charcoal Net
(x1)



13: Left Panel (x1)



14: Front Panel (x1)



15: Rotation Handle (x1)



16: Front Charcoal Door (x1)



17: Charcoal Door Lock Tongue



18: Charcoal Door Washer



19: Charcoal Door Handle (x1)



20: Side Handle Holder (x2)



21: Side Handle (x1)



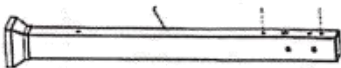
22: Bottle Opener (x1)



23: Ash Tray (x1)



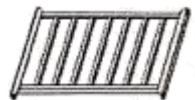
24: Ash Tray Handle(x1)



25: Front Leg (x1)



26: Back Leg (x1)



27: Bottom Net (x1)



28: Front Wheel Leg
(x1)



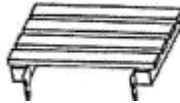
29: Back Wheel Leg
(x1)



30: Wheel Spindle
(x1)



31: Wheel (x2)



32: Side Shelving (x1)



A: (x34)
M6 x 14



B: (x4)
M5 x 12



C: (x4)
M6 x 14



D: (x12)
M6 x 35



E: (x8)
M5



F: (x20)
M6



G: (x2)
M6 x 70



H: (x3)
D1.4



I: (x4)
M4 x 12



J: (x4)
M4

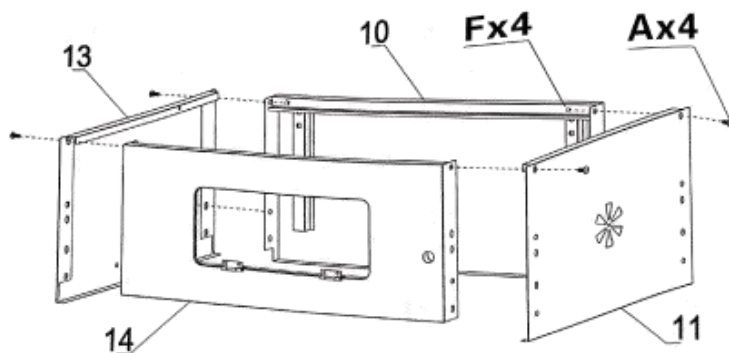


K: (x4) M5 x 10

INSTALLATION

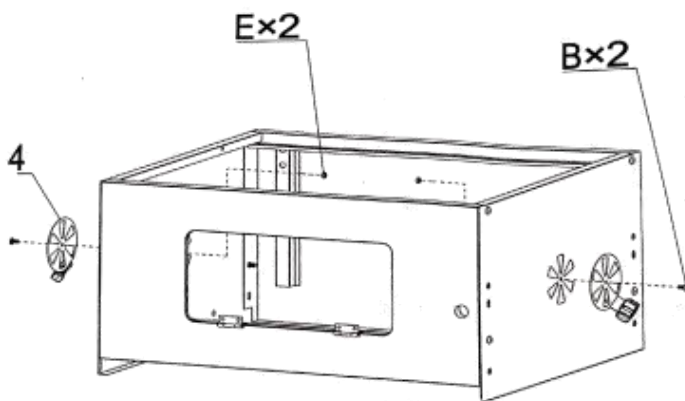
Step 1

Assemble left panel (13), front panel (14), right panel (11) and back panel (10) together with F and A.



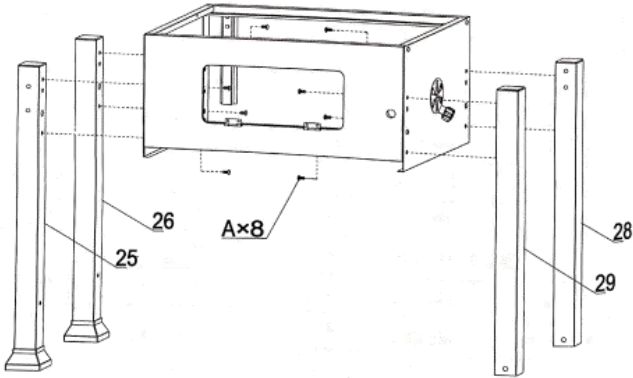
Step 2

Attach damper (4) to left panel (13) and right panel (11) with B and E.



Step 3

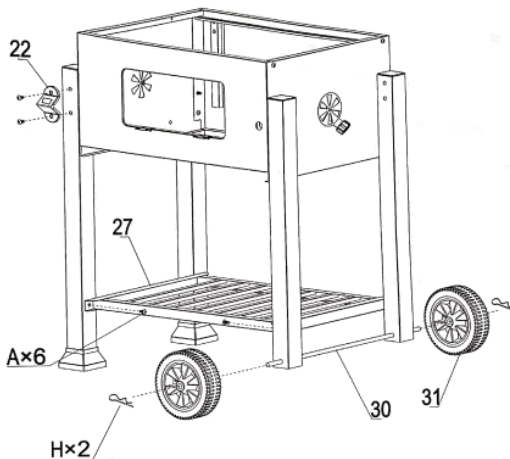
Attach four legs (25, 26, 28 and 29) to the assembled part of step 2 with A.



Step 4

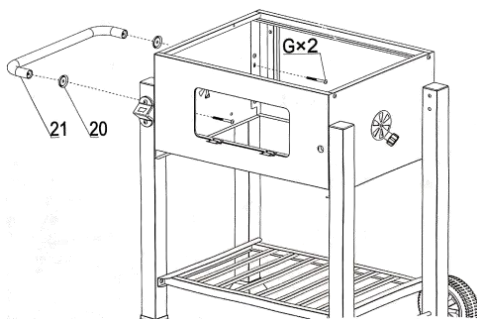
Attach bottle opener (22) to front leg (25). Attach bottom net (27) to the grill with A.

Attach wheels (31) to front wheel leg (28) and back wheel leg (29) with wheel spindle (30) with H as shown in the picture.



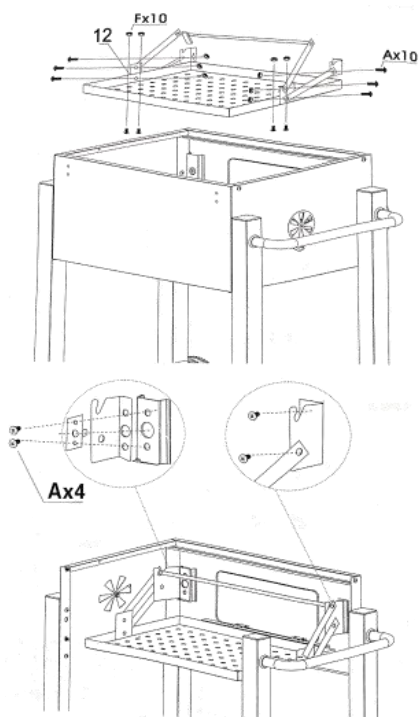
Step 5:

Attach the side handle (21) to the left side of the grill with side handle holder (20) and G.



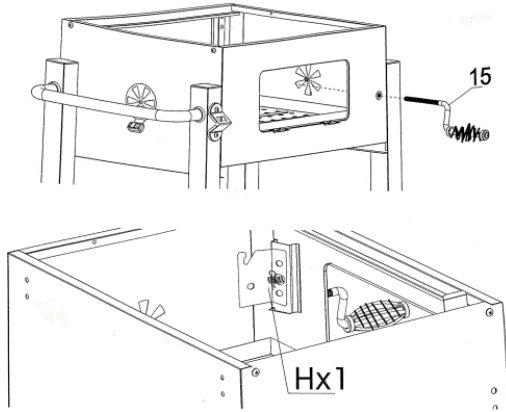
Step 6:

Attach charcoal net (12) with F and A as shown in the picture.



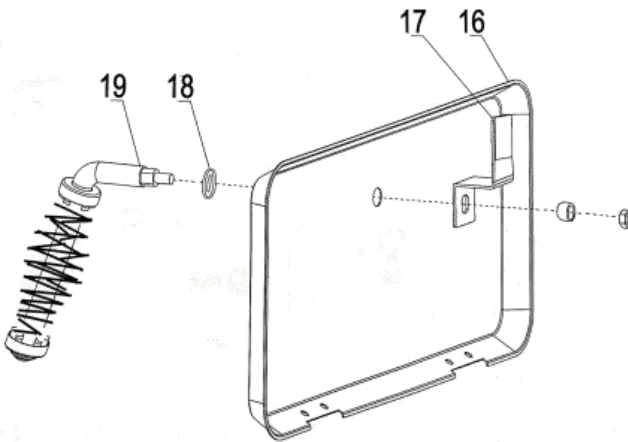
Step 7:

Attach rotation handle (15) to the corresponding position with H.



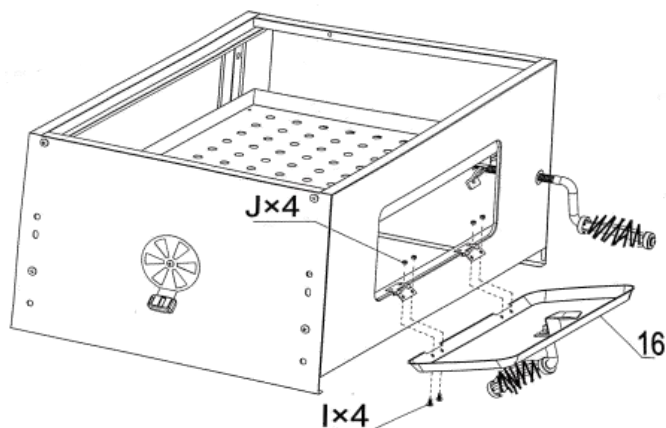
Step 8:

Attach the handle (19) to front charcoal door (16) with washer (18) and carbon lock tongue (17).



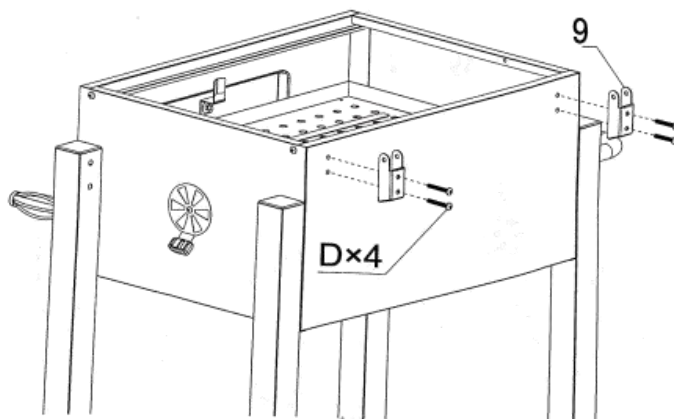
Step 9:

Attach the assembled part of step 8 to the grill with I and J.



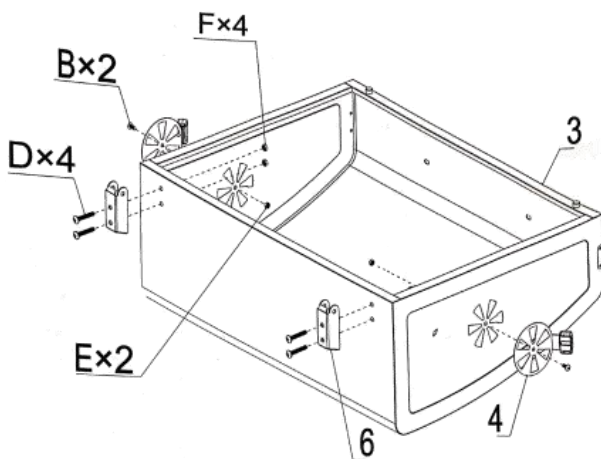
Step 10:

Attach two hinges (9) to the corresponding positions with D.



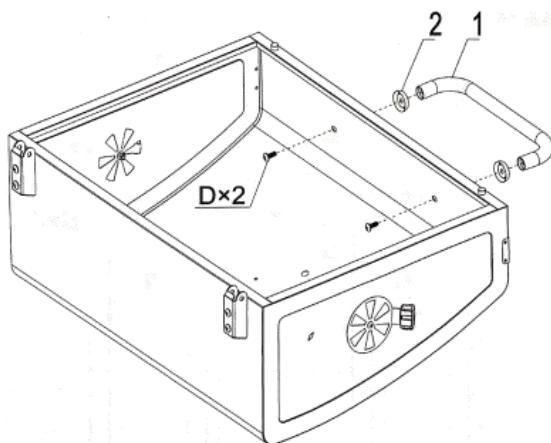
Step 11:

Attach damper (4) to top lid (3) with B and E. Attach hinges (6) to top lid (3) with D and F.



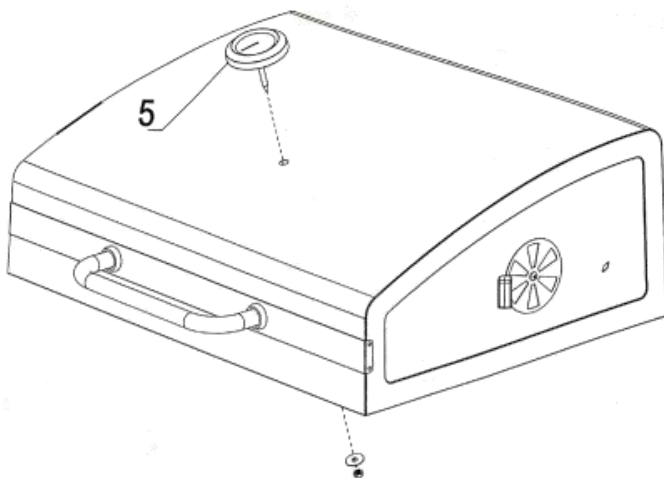
Step 12:

Attach handle of top lid (1) to the assembled part of step 11 with handle holder (2) and D.



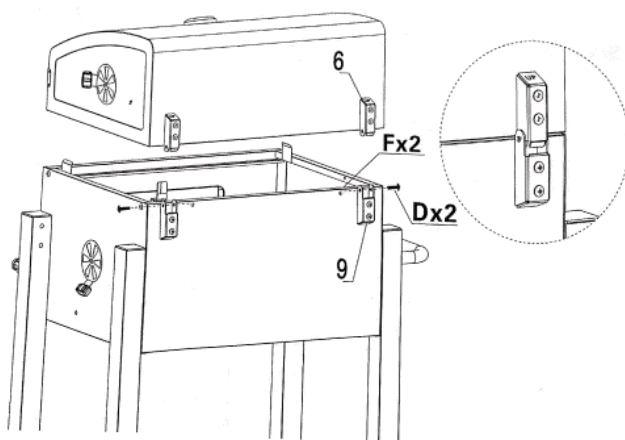
Step 13:

Attach temperature gauge (5) to the corresponding position.



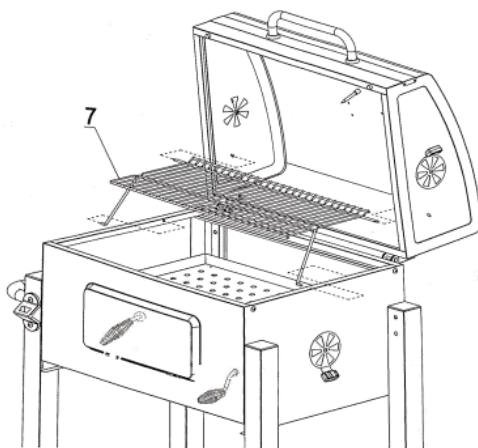
Step 14:

Attach the assembled part of step 13 to the assembled part of step 10 with F and D.



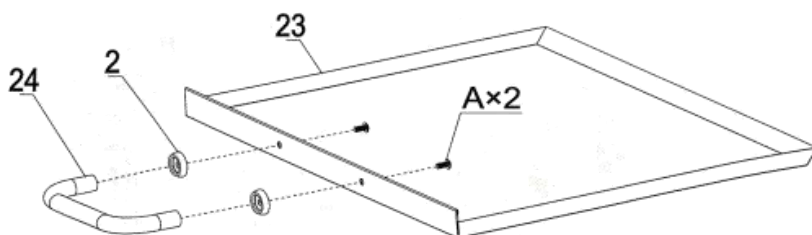
Step 15:

Attach the warming rack (7) to the grill as shown.



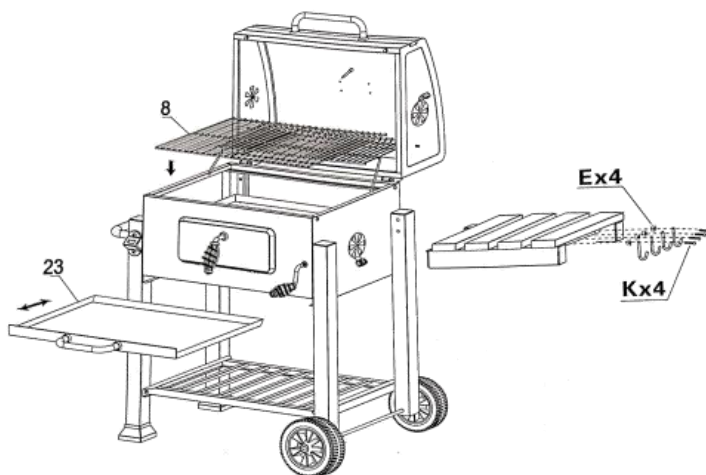
Step 16:

Attach the handle of ash tray (24) to ash tray (23) with handle holder (2) and A.



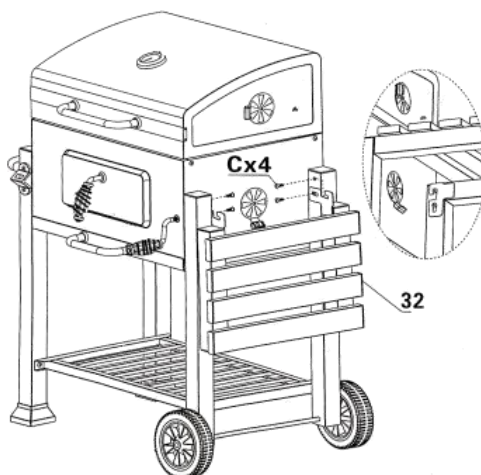
Step 17:

Assemble the ash tray as shown in the picture.



Step 18:

Attach side shelving (32) to the grill with C.



STORAGE & CARE

- Do not move or clean the ash tray until the charcoal and ash are completely burned and cooled down.
- Put on protective gloves -- wait until the charcoal and ash have completely burned and cooled down -- and pour the ash into a metal container. Use water to douse the fire and keep metal containers away from flammable objects. Dampen the floor under and around the grill to extinguish the fire completely.
- To avoid rust: clean the grill after each use, cover the grill and store it in a dry place.
- Store products out of reach of children.
- Products should be kept away from where inflammable objects, liquids, gases and explosive are stored and used.

MAINTENANCE

- Maintenance shall be carried out by professionals.
- When replacing parts, original parts should be used.
- **Warning:** The use of non-original parts or private replacement of parts will void the warranty, and will cause safety risks!

Living and Home

A Home is for Living in

For comfort and style update your living space.

Browse contemporary and classic designs and find the perfect home to your look and the perfect spot to lounge.

Put your feet up and sink into our stylish home decor.

We are mainly engaged in home, outdoor, home appliances, office, bathroom, provided high quality and affordable products for you. We value every one of our customers and our professional service team is always available to help you.

livingandhome.co.uk