



KITCHEN CABINET BASKET SHELF

SAFETY & WARNINGS

- Read and understand all instructions. Failure to follow all instructions may result in injury and/or damage.
- The warnings, cautions, and instructions discussed in this manual cannot cover all possible conditions or situations that may occur. The user must always be aware of their environment and ensure that they use the product in a safe and responsible manner.
- Do NOT modify the product in any way. Unauthorized modification may impair the function and/or safety of the product, and may affect the life of the product.
- Check for damaged parts. Before using this product, carefully check that all parts are in good condition, and that the product will operate properly and perform its intended function. Check for damaged parts and any other conditions that may affect the operation of this product. Replace damaged or worn parts, and never use this product with a damaged part.
- Do NOT overload the product.
- Do NOT allow children to play in the basket.

COMPONENTS



1: (x28)



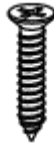
2: (x6)



3: (x2)



4: (x2)



5: (x8)

1. ST4*14 screw 28pcs:

8pcs use for fixing top runner on the top board of the cabinet.

8pcs use for fixing bottom runner on the bottom board of cabinet.

12pcs use for fixing T-bar to the door board.

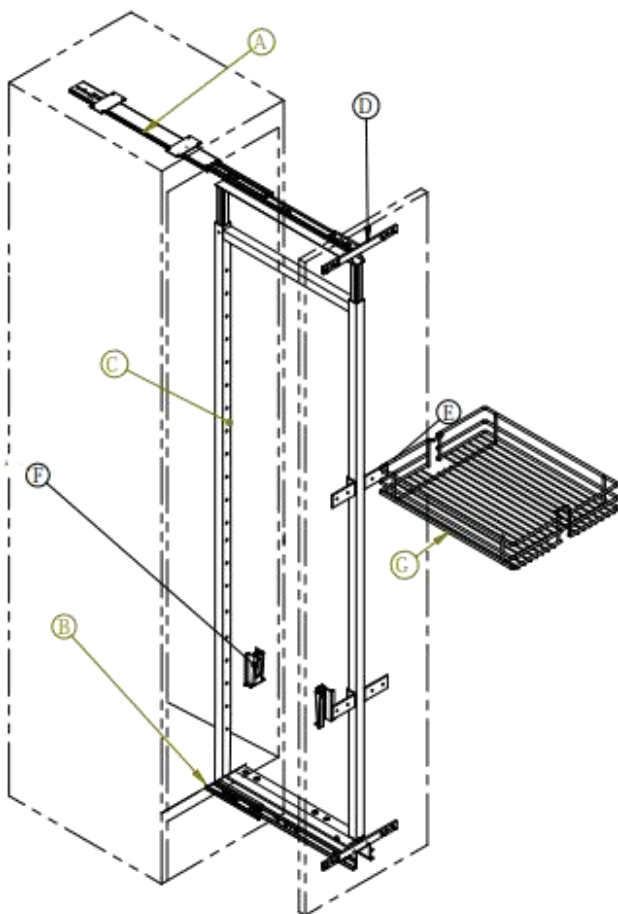
2. 6pcs M6*16 use for connecting and adjusting discreteness of door board.

3. 2pcs M8*20 use for strengthening the frame.

4. 2pcs M6*14 use for adjusting the main frame.

5. 8pcs ST4*14 use for the saddle-backed stabilizer.

PART LIST



A. Top Runner

B. Bottom Runner

C. Main Frame

D. T-bar

E. Saddle-backed Stabilizer

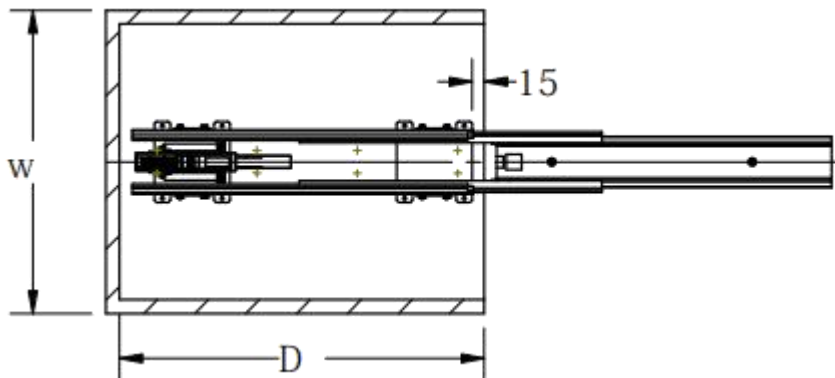
F. Pothook

G. Wire Basket

INSTALLATION

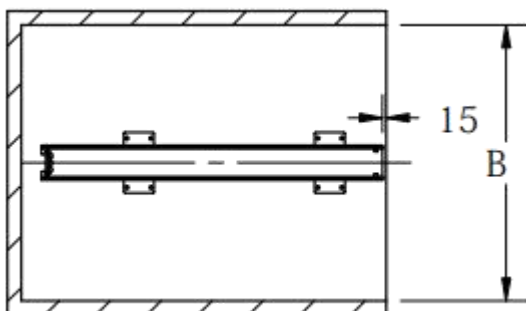
Step 1

Fix up the bottom runner by using 8pcs ST4*14 screws.



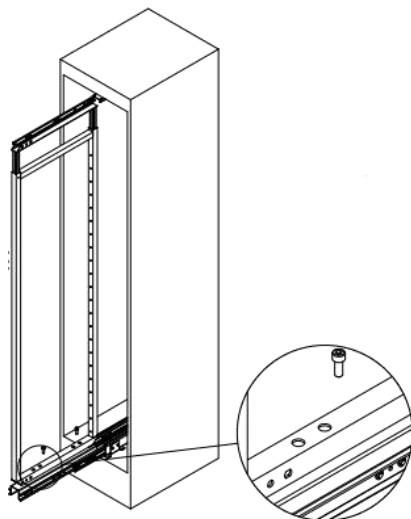
Step 2

Fix up the top runner by using 8pcs ST4*14 screws.



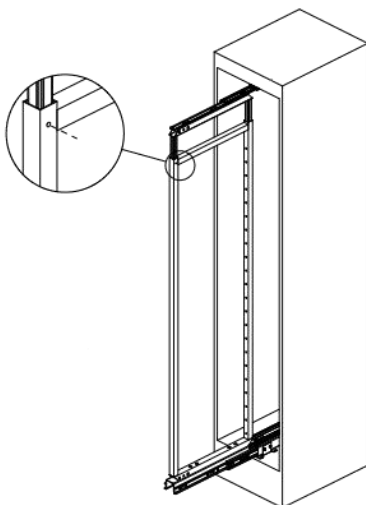
Step 3

Fix the main frame (C) to the bottom runner (B).



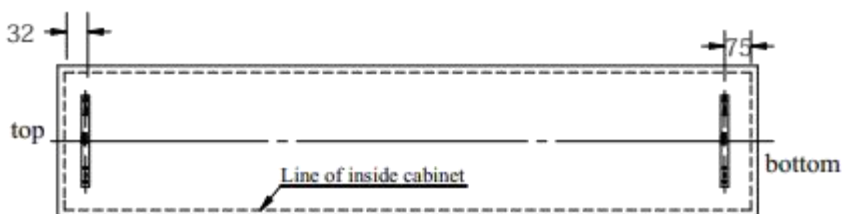
Step 4

Adjust the frame to the suitable height and fix it up by 2pcs M6*14 screws.



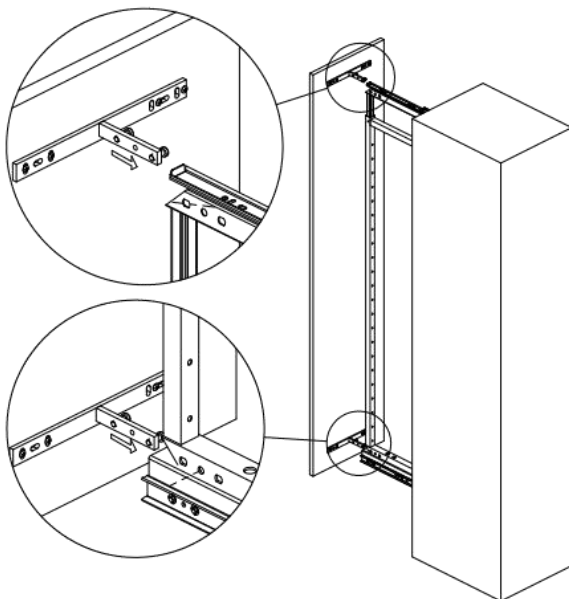
Step 5

Fix up the T-bar by using 12pcs ST4*14 screws.



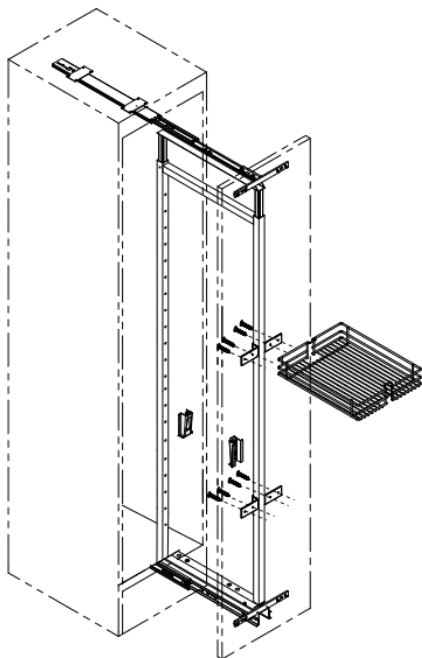
Step 6

Secure the T-bar with 6pcs M6*16 screws.



Step 7

Fix up the saddle-backed stabilizers with 8pcs ST4*14 screws. Then put the baskets (G) after all the pothooks (F) are into the holes of the side of the frame.



CLEANING & CARE

- Avoid harsh, abrasive cleaners, and other corrosive chemicals.
- Keep dry and avoid damp environments.

Living and Home

A Home is for Living in

For comfort and style update your living space.

Browse contemporary and classic designs and find the perfect home to your look and the perfect spot to lounge.

Put your feet up and sink into our stylish home decor.

We are mainly engaged in home, outdoor, home appliances, office, bathroom, provided high quality and affordable products for you. We value every one of our customers and our professional service team is always available to help you.

livingandhome.co.uk