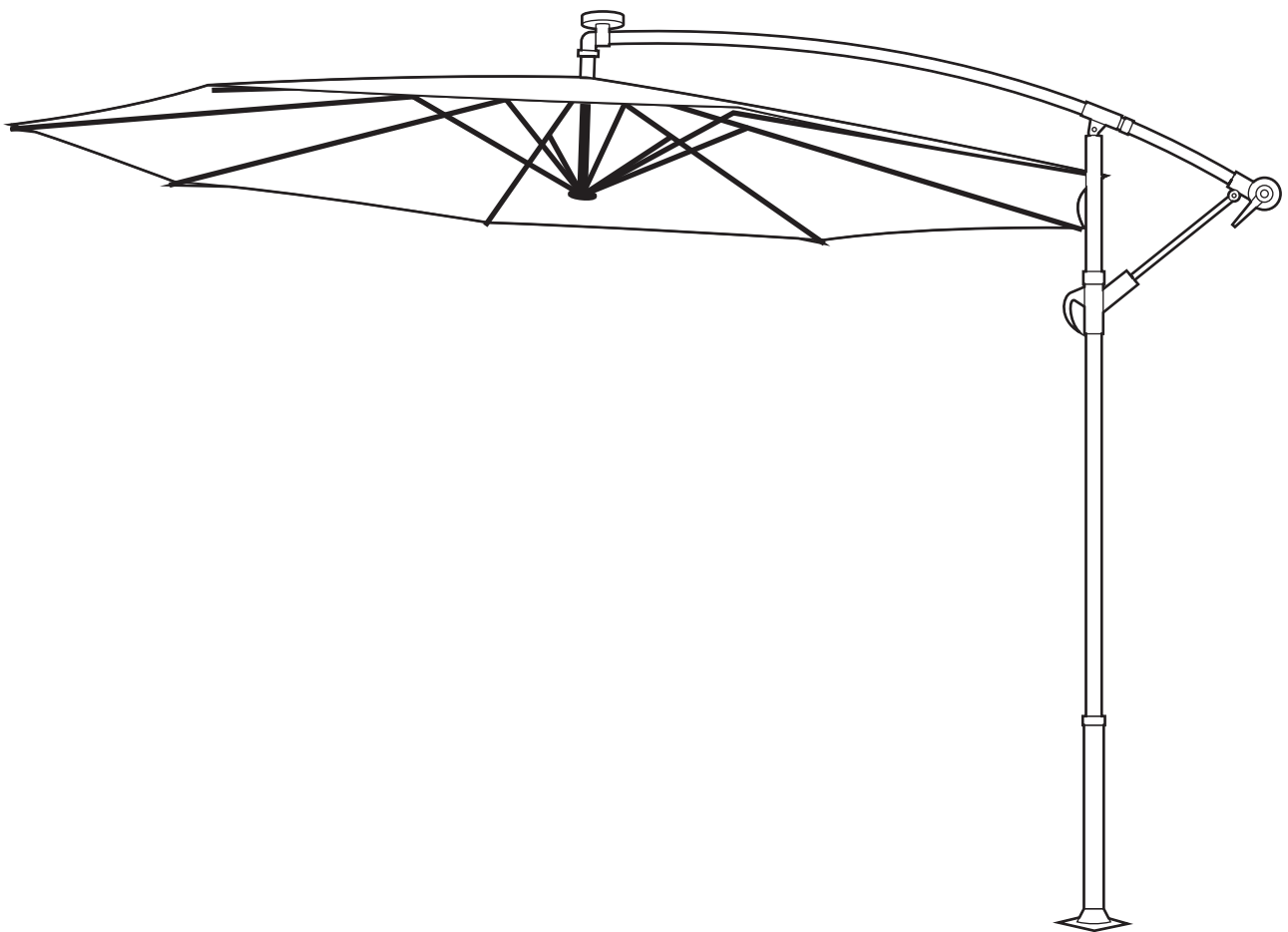


USER MANUAL

LED LIGHTED PATIO UMBRELLA

LG0927 Series



Please read this manual carefully before assembly and keep it properly.

Safety Information	01	Operation Guide	07
Parts List	02	Maintenance	11
Installation Guide	03		

SAFETY INFORMATION

Always follow these safety guidelines to prevent injury and damage.

PROPER USE

This umbrella is designed for outdoor use and should not be used as a toy. Do not modify this product to ensure its safety and functionality.

CHILDREN SUPERVISION

Children under the age of 10 should always be supervised by a competent adult when near the umbrella.

Ensure children are kept out of the assembly area during setup.

WEATHER CONDITIONS

Never use the umbrella in high wind conditions, as this can cause potential injury and damage to the umbrella.

Always close and secure the umbrella during severe weather conditions, including rain, hail, sleet, and snow.

AWAY FROM HEAT AND FLAMES

Do not place the umbrella near open flames or any heat source to prevent fire hazards.

STRUCTURAL INTEGRITY

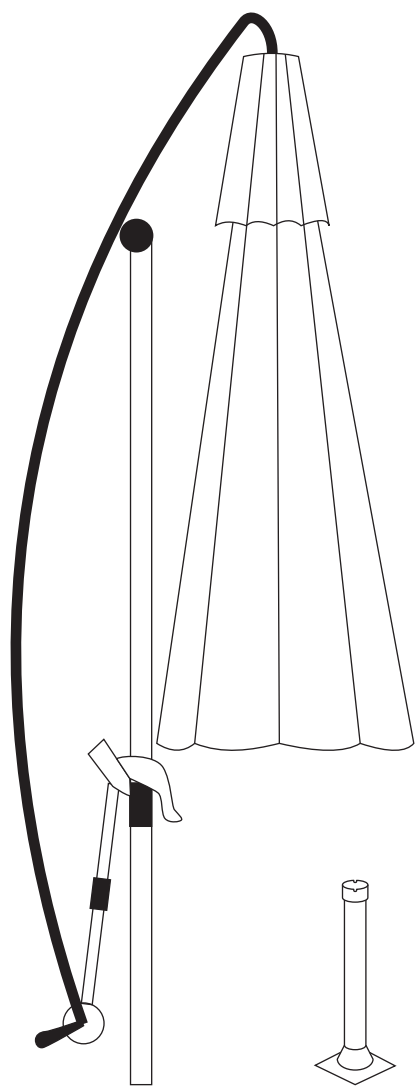
Do not use the umbrella as a support structure.

Avoid shaking, leaning, or climbing on the umbrella to prevent damage and injury.

STORAGE

When not in use, secure the umbrella in a cool and covered location to protect it from the elements and prolong its lifespan.

PARTS LIST



A*1

B*1

C*1

D*1

E*1

F*4
M8*20

G*4
Φ8

*This is only a schematic of the parts required for installation, some parts may not be included in the package if you purchase the umbrella only.

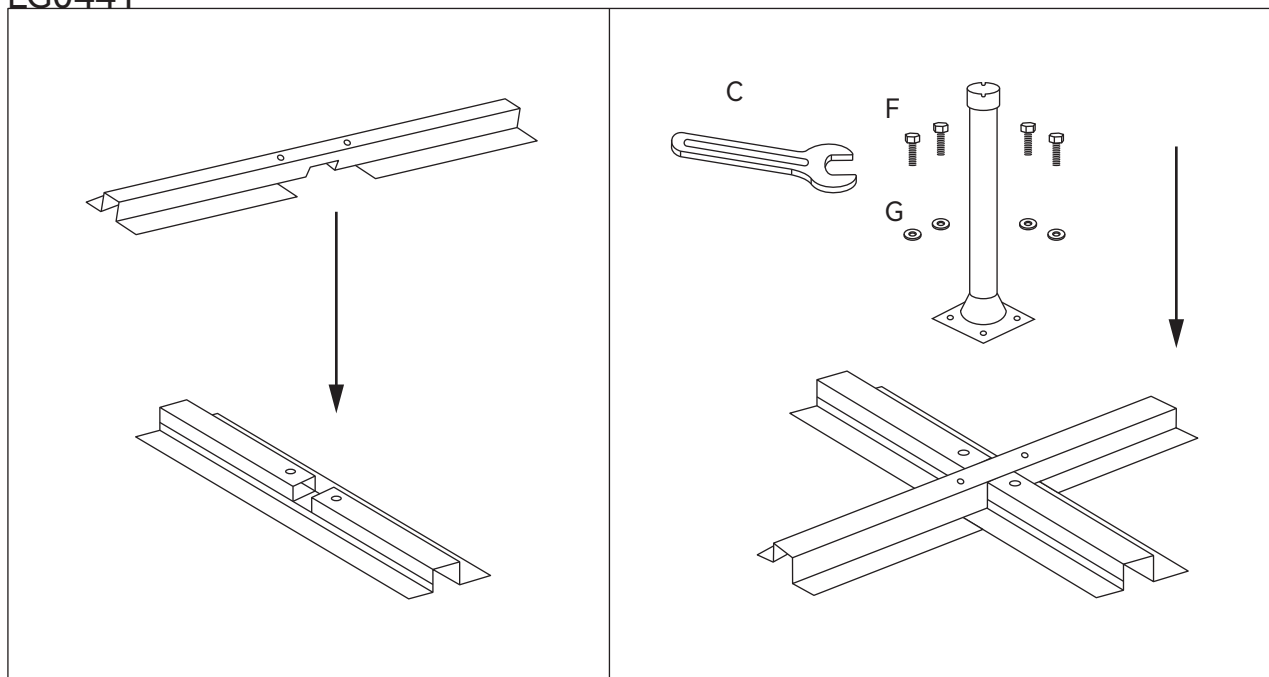
INSTALLATION GUIDE



This umbrella is compatible with various base models. However, if you purchase the umbrella only, the base is not included in the package. You will need to buy the base separately, or you can opt for a set that includes both the umbrella and the base.

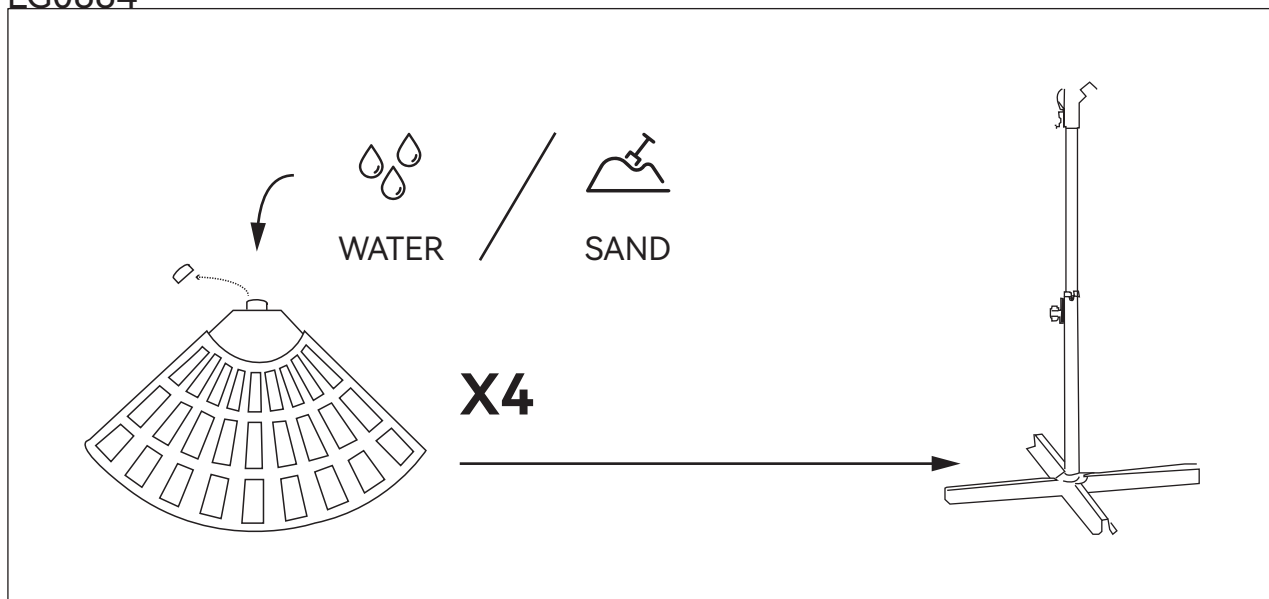
BASES

LG0441

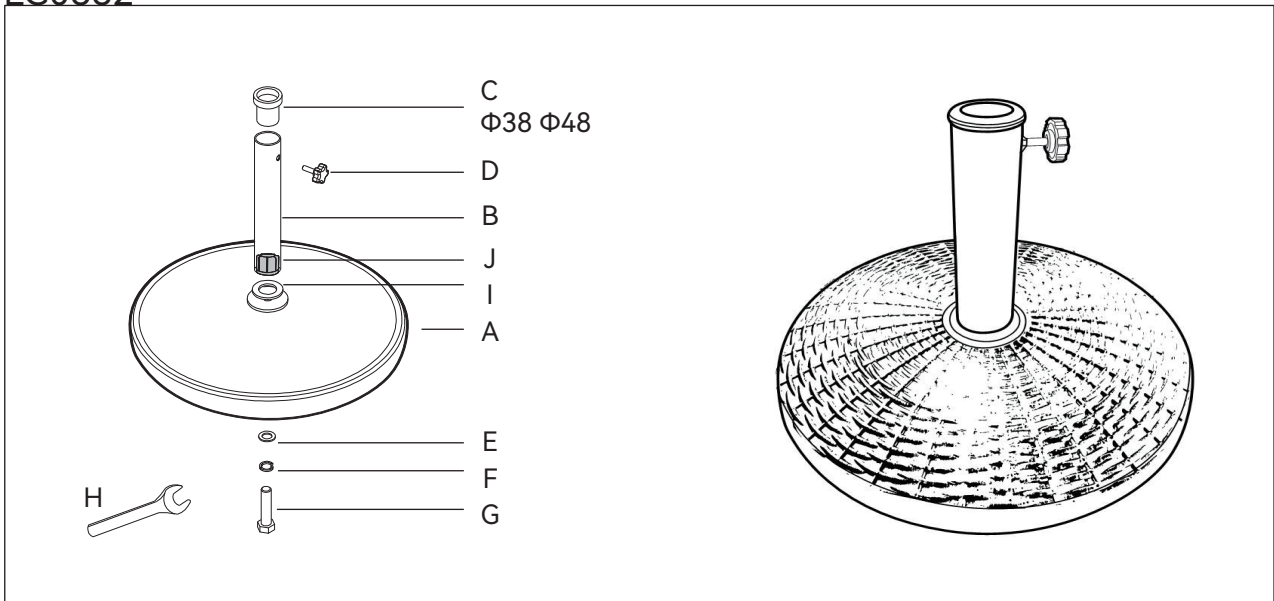


*It is recommended to press the base with a heavy object of 50KG or more.

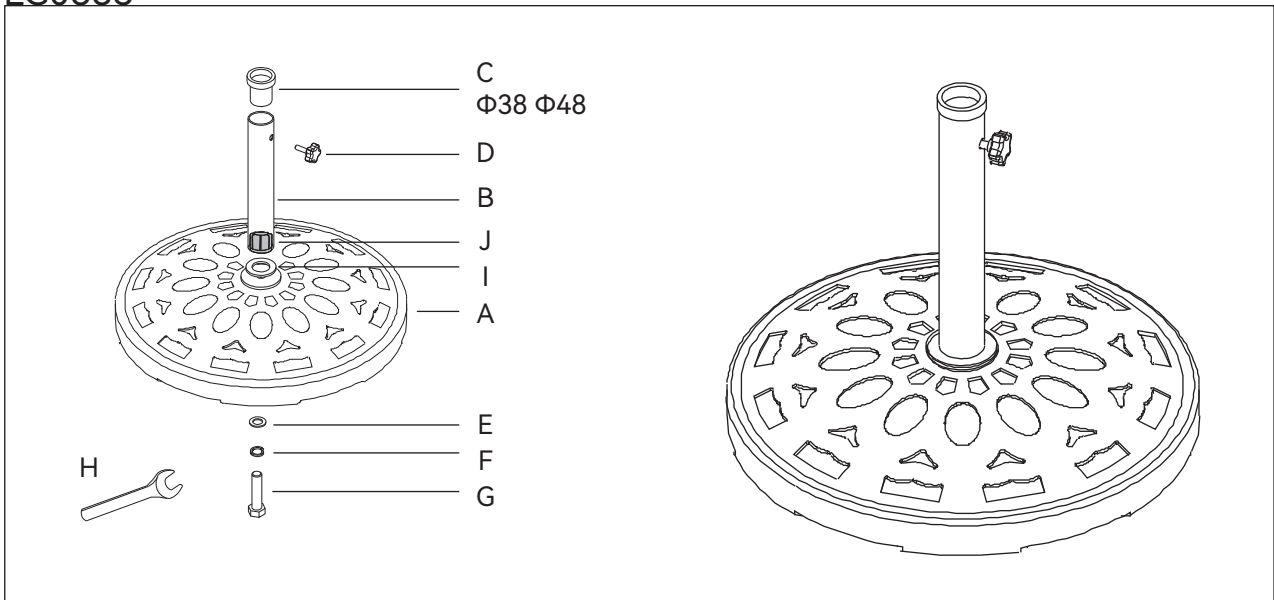
LG0884



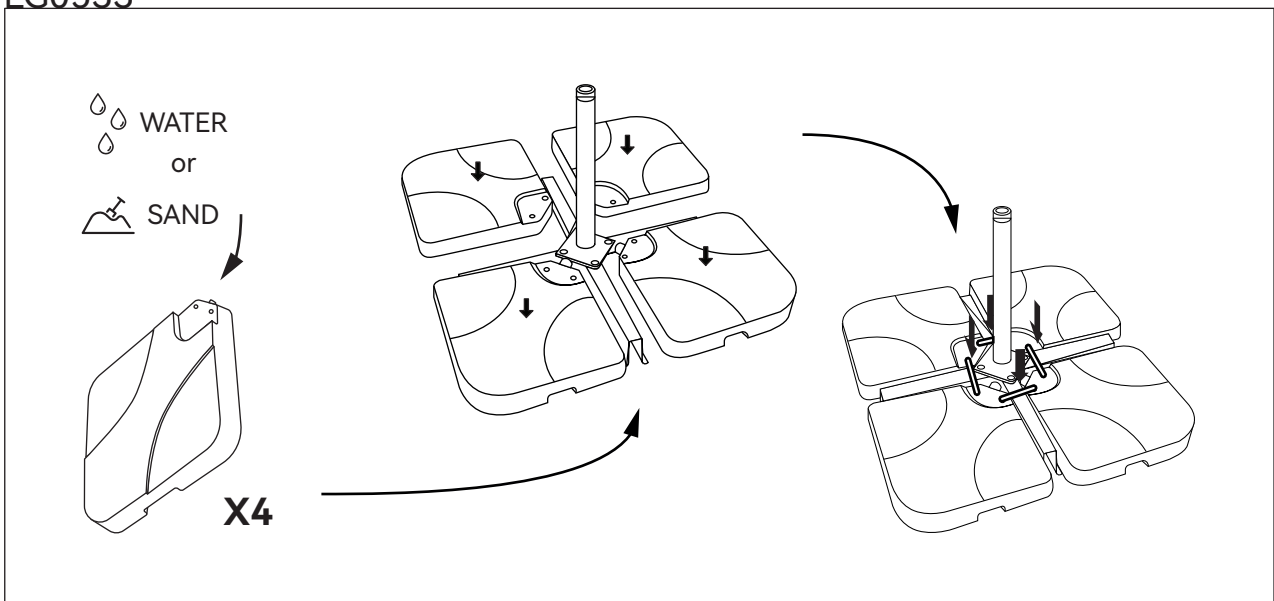
LG0882



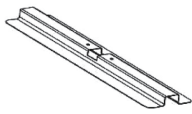
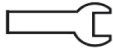
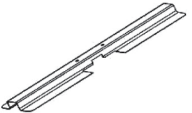


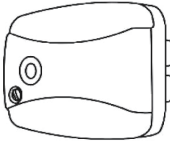
LG0883



LG0533



LG0534

PART	PICTURE	QTY	PART	PICTURE	QTY
A		1	D		1
B		1	E		5
C		4	F		1

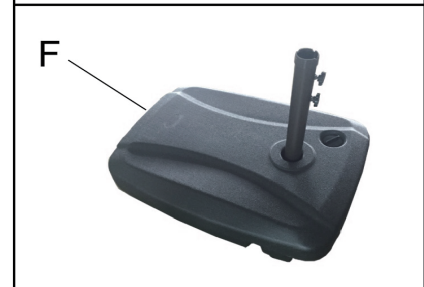
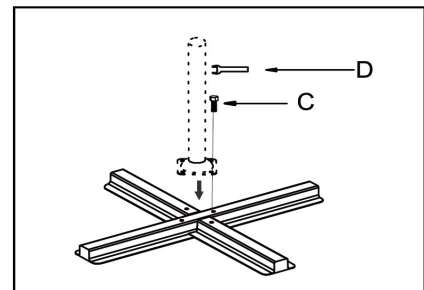
1. If you have already assembled the cross base, remove the vertical pole first.
2. Slide F down the vertical pole from the top.
3. Secure the cross base at the bottom.
4. Fill F with sand or water.

Note

1. If it is often windy, we recommend using sand, as it is heavier than water.
2. If the temperature is low, sand is also preferable because water can freeze and damage the base.

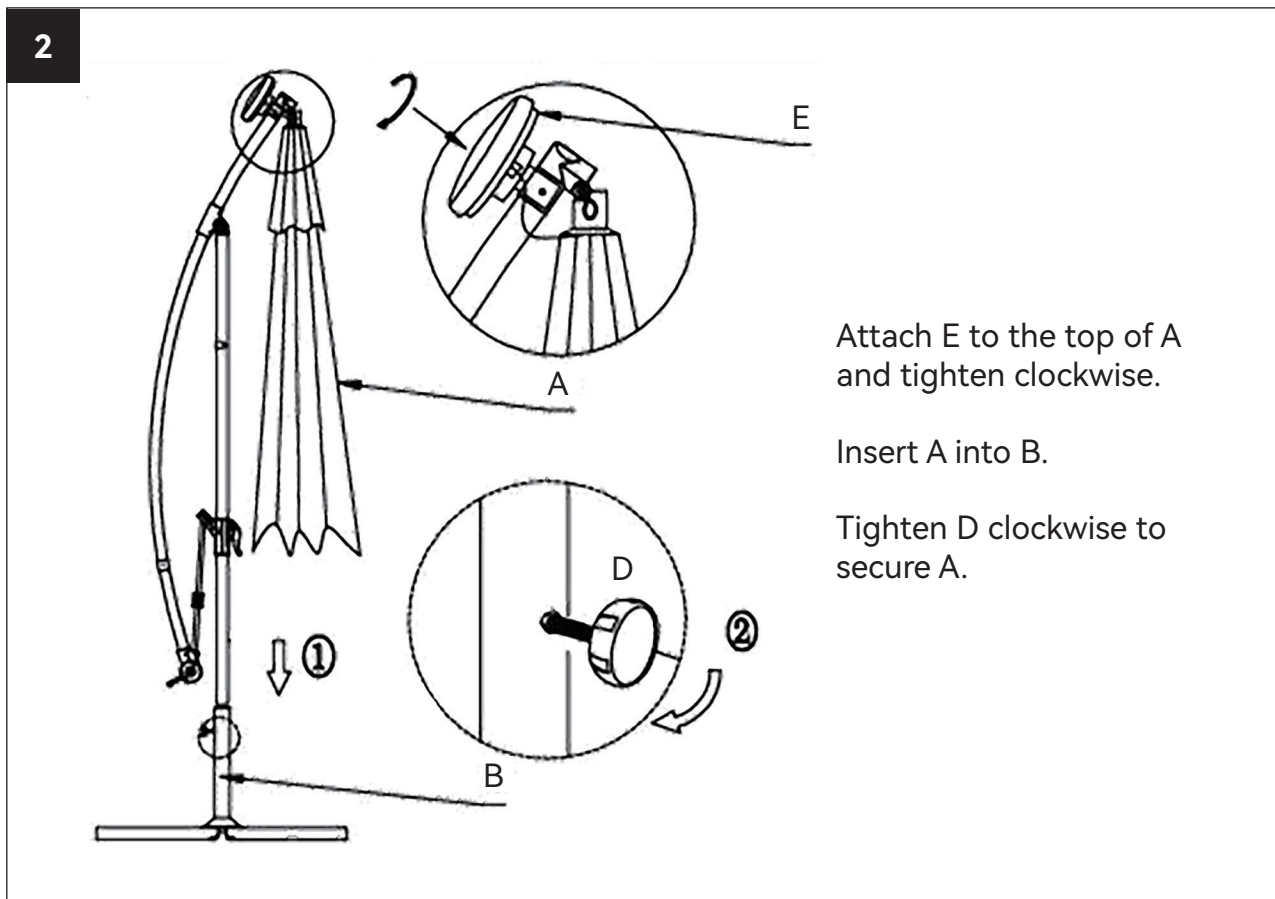
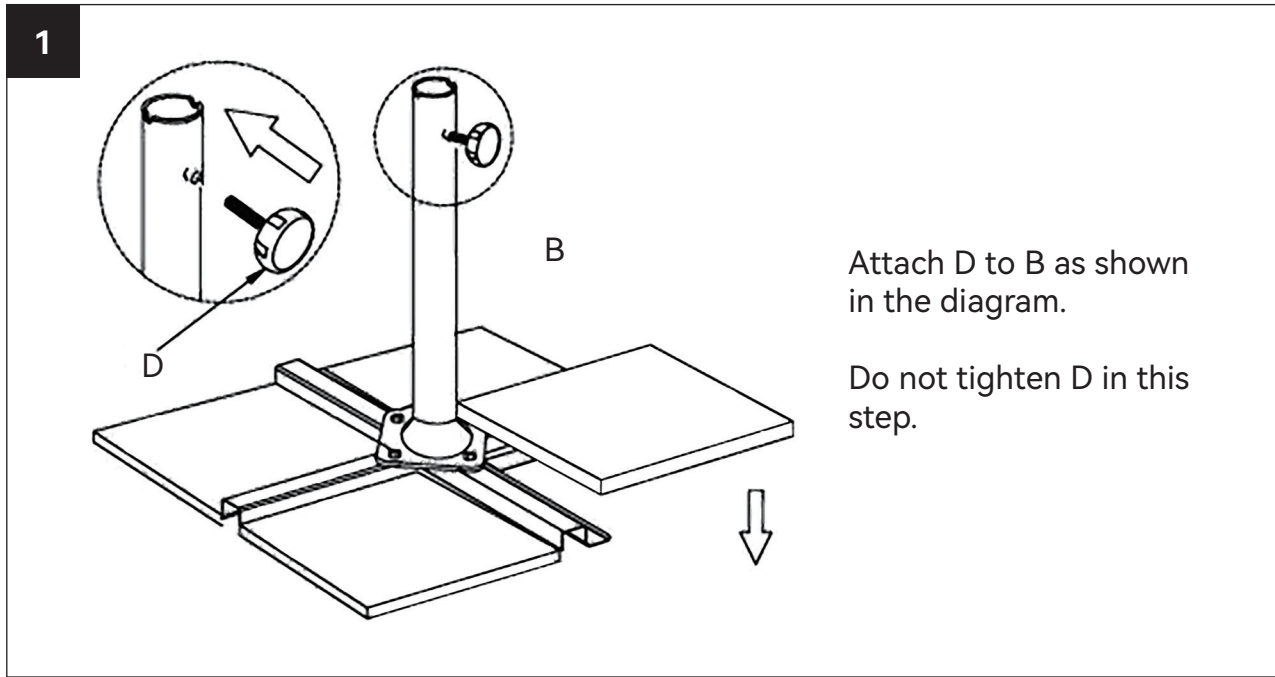
Warning

1. Do not fill the base with water if the temperature is below freezing.
2. Do not stand or jump on the base.
3. Close the umbrella during strong winds to prevent tipping.



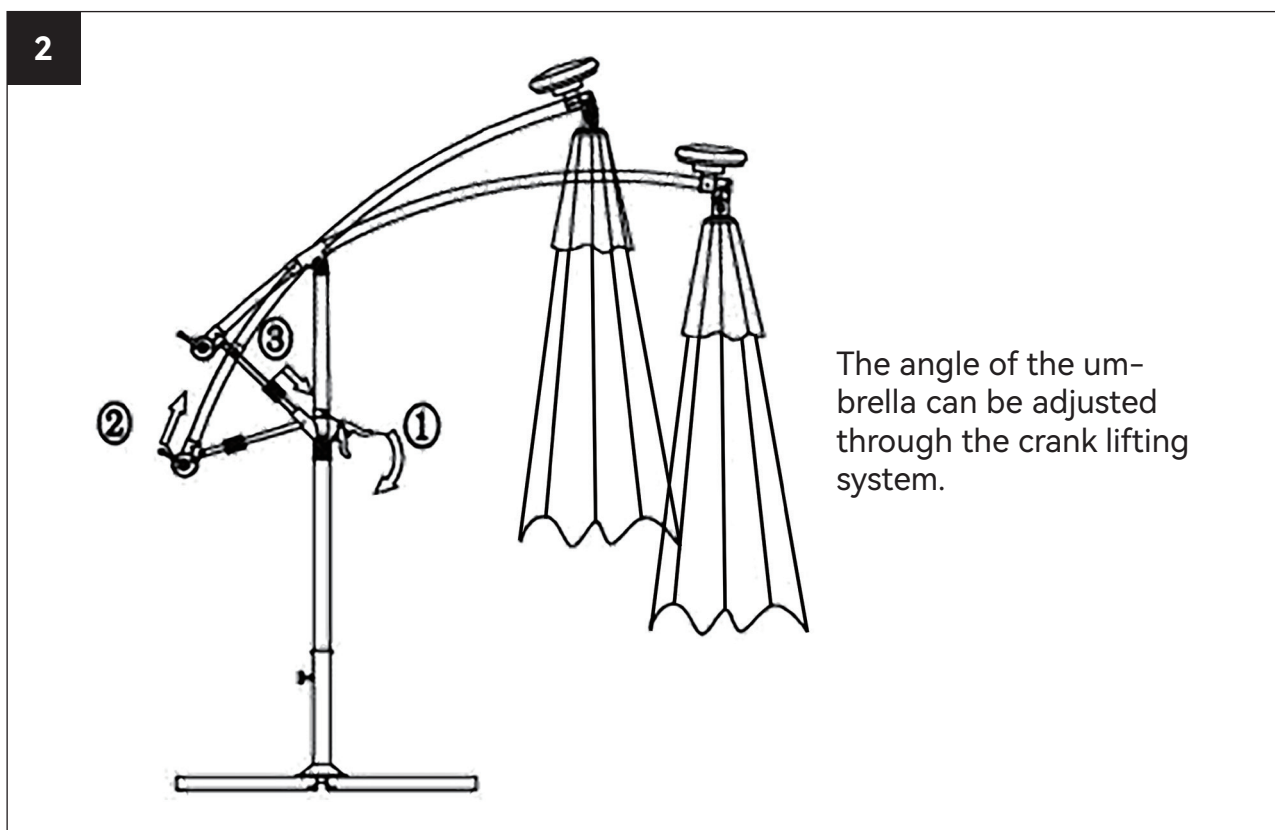
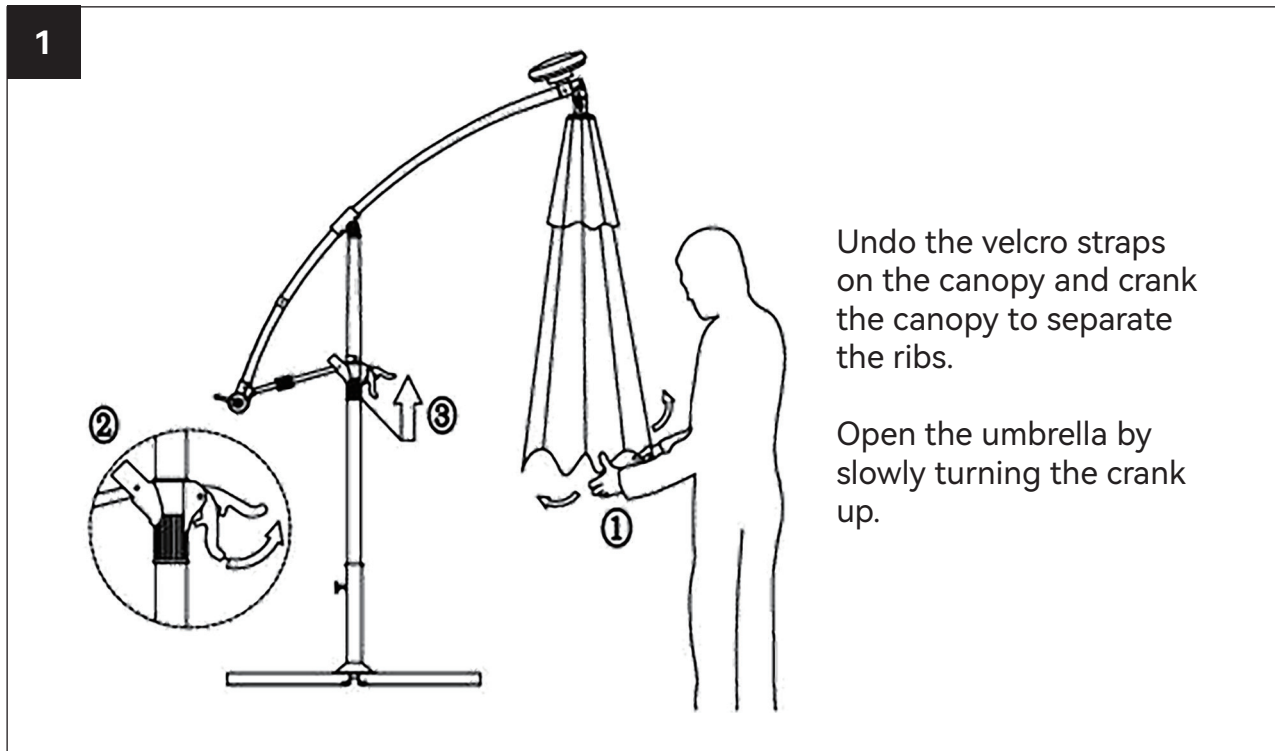
UMBRELLA

When you finish the assembly of the base, you can start to assemble the umbrella. (Take one base model as example.)

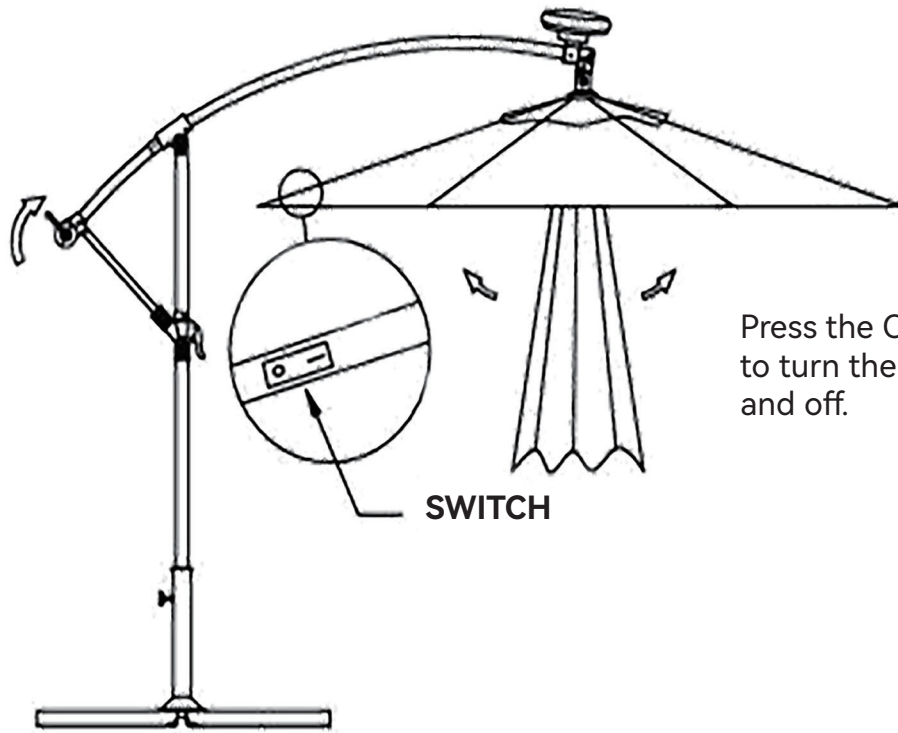


OPERATION GUIDE

This section is demonstrated with a parasol and a cross base, the actual situation is based on the model you purchased.

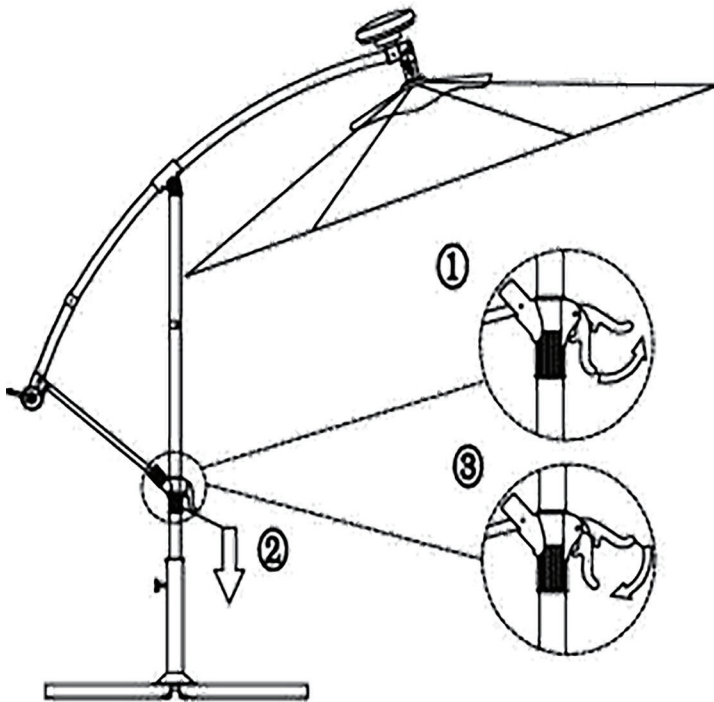


3



Press the ON/OFF switch to turn the LED light on and off.

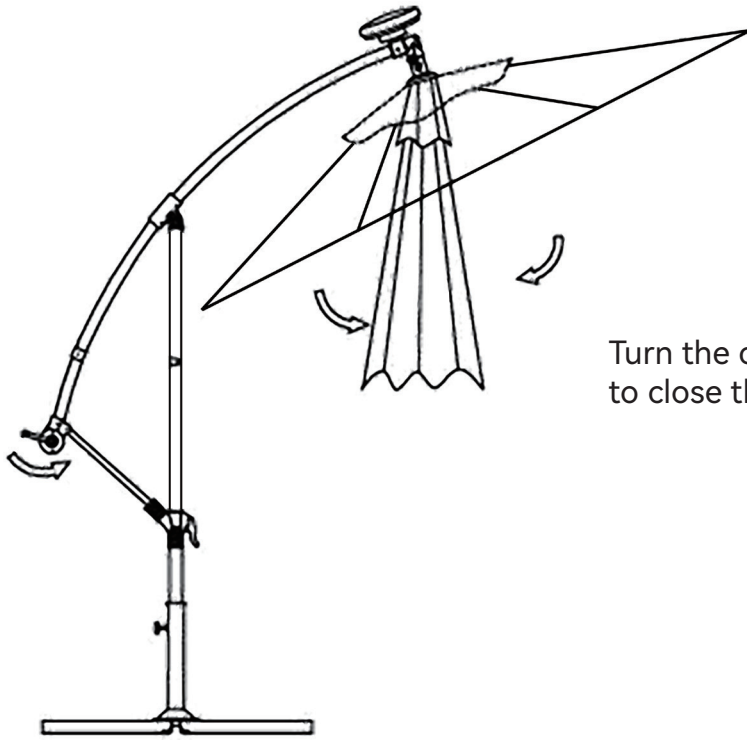
4



Adjust the angle of the umbrella by turning the crank up.

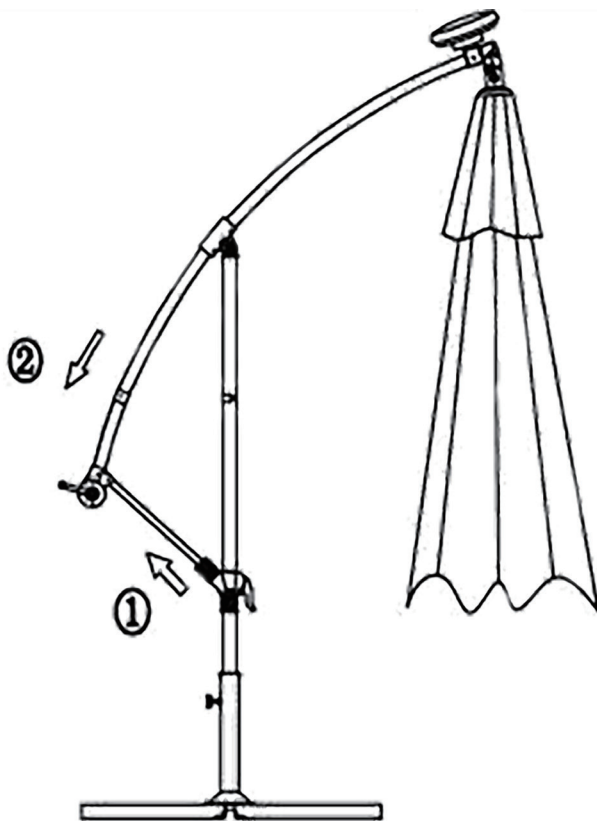
When the angle of the umbrella reaches the desired angle for shade, turn the crank down to fully tighten it.

5



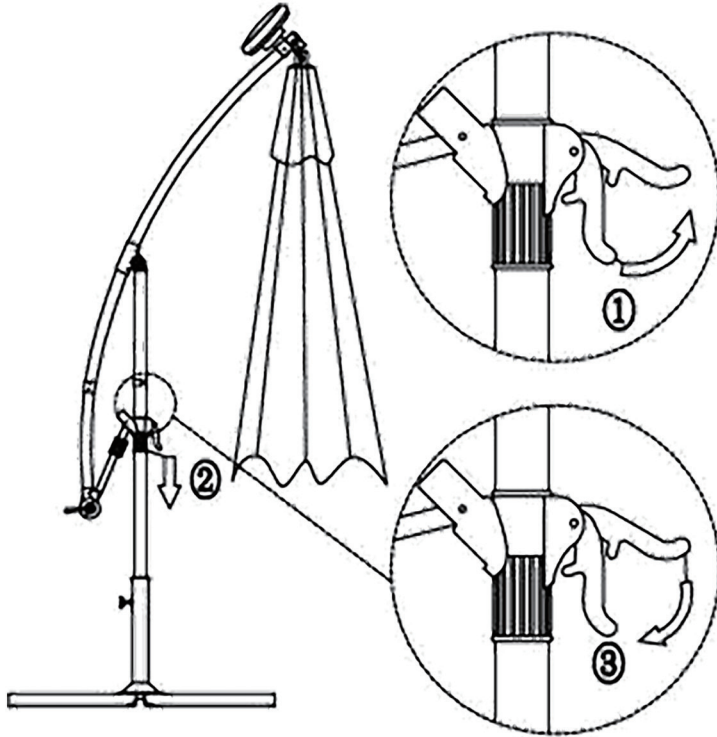
Turn the crank counterclockwise to close the umbrella.

6



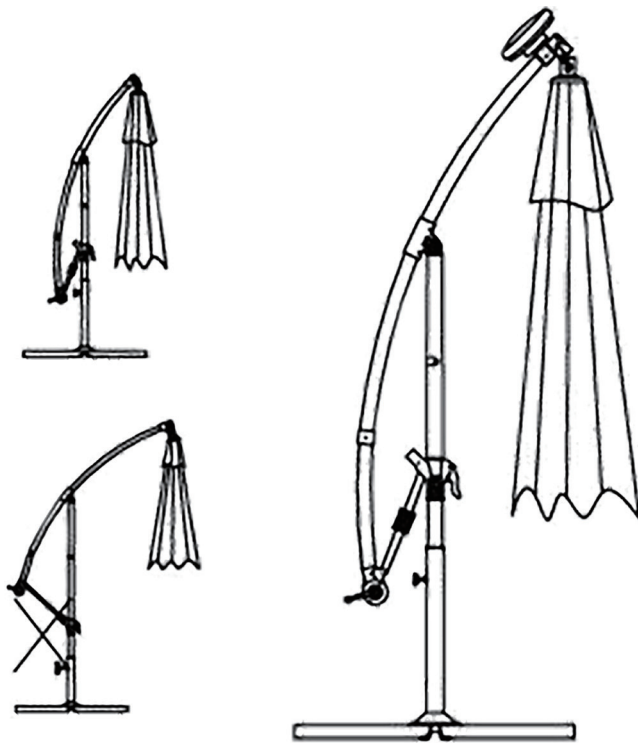
Adjust the crank lifting system to close the umbrella.

7



Tighten the crank on the umbrella after closing the umbrella.

8



The umbrella needs to be put away properly.

MAINTENANCE

CLEANING

For best results, clean the umbrella with damp cloth and dry thoroughly. This will help prevent mildew by removing dirt particles that may accumulate.

Do not clean with abrasive materials, bleach, or solvents.

Avoid using harsh chemicals that could damage the fabric.

Regularly clean the solar panel to ensure it receives maximum sunlight for optimal LED light performance.

STORAGE

Store the umbrella in a cool, covered location when not in use. This will protect it from harsh weather conditions and extend its lifespan.

Always close and secure the umbrella before storing it.

Keep the umbrella away from fire, extreme heat, freezing conditions, and inclement weather such as rain, hail, sleet, snow, or wind.

INSPECTION

Regularly inspect the umbrella for any signs of wear or damage. Check the canopy, ribs, crank lift system, and LED lights.

Address any issues promptly to prevent further damage. If any parts are damaged, contact the manufacturer for replacement parts.

SOLAR PANEL AND LED LIGHTS

Ensure the solar panel is placed in an area where it can receive direct sunlight for optimal charging.

Periodically check the LED lights to ensure they are functioning properly.

Replace any non-working lights as needed.

MADE IN CHINA
-2024-