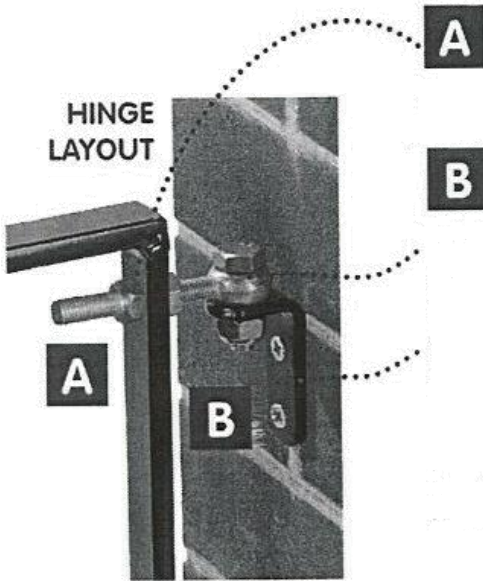


GARDEN IRON GATE

SAFETY & WARNINGS

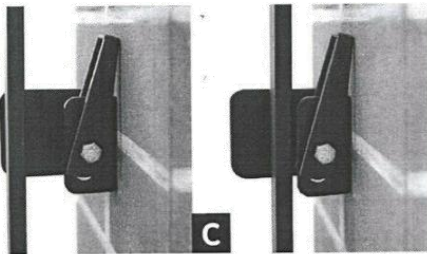
- **WARNING:** When using this product, basic safety precautions should always be followed to reduce the risk of personal injury and damage to equipment.
- Read all instructions before using this product!
- Keep work area clean. Cluttered areas invite injuries.
- Stay alert. Watch what you are doing, use common sense. Do not assemble this product when you are tired. Two or more people are required for assembly.
- Check for damaged parts. Before using this product, any part that appears damaged should be carefully checked to determine that it will operate properly and perform its intended function. Check for loose parts and any other condition that may affect the operation of this product. Replace loose or worn parts immediately. Any part that is damaged should be properly repaired or replaced.
- Replacement parts. When servicing, use only identical replacement parts. Use of any other parts will void the warranty.
- Locate the gate in a spot that is flat and level without an uneven surface, away from electrical wires. Uneven ground could cause tipping. Never lean on or lean against the gate. Permanently secure the gate to a solid surface to prevent tipping.
- Do not allow children to climb on the sides of this product or swing on the gate. Always supervise children when playing around this product.

INSTALLATION

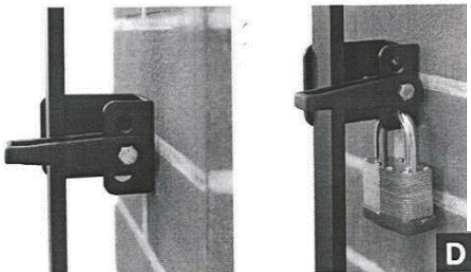


A Adjust to opening size, then tighten.

B Tighten bolt but allow hinge to move freely.
Fit bracket to brickwork or timber.
Fix to metal post.

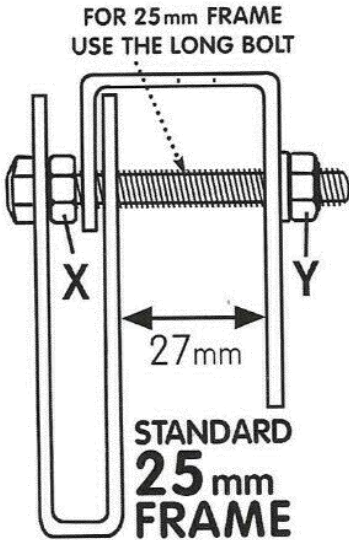


C: Fix striker plate to brickwork or timber.
Fix to metal post.



D: The striker plate is designed to take a padlock and can be assembled for left or right hand opening. (Padlock not supplied)

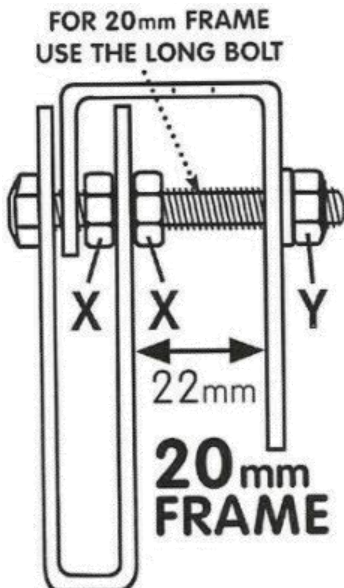
Please Note: Gates usually open inwards when viewed from the road, photographs show striker and latch set for left hand opening. Assembly drawings below show right hand opening layout, reverse for left hand opening.



Striker plate and latch can be assembled to suit either 25mm or 20mm frame width gates.

Nuts marked X should be fully tightened to lock on to the latch.

Nut Y with the nylon insert should be tightened on to the washer then loosened slightly to allow free movement.



ZINC PLATED RANGE

CARE AND MAINTENANCE

The gate and fittings are zinc plated for corrosion resistance.

Following installation clean with a mild detergent and lightly oil all moving parts, repeat at suitable intervals.

Wear and tear to the coating can be touched in with black gloss paint.

CLEANING & CARE

- If the finish is scratched or nicked, the exposed metal underneath will rust. To extend the life of the powder coating and preserve the polished look of this structure, we recommend an exterior grade paint to repair or touch up any exposed areas.

Living and Home

A Home is for Living in

For comfort and style update your living space.

Browse contemporary and classic designs and find the perfect home to your look and the perfect spot to lounge.

Put your feet up and sink into our stylish home decor.

We are mainly engaged in home, outdoor, home appliances, office, bathroom, provided high quality and affordable products for you. We value every one of our customers and our professional service team is always available to help you.

livingandhome.co.uk