



OIL FILLED HEATER

SAFETY INSTRUCTIONS

- This appliance can be used by children aged from 8 and above and persons with reduced physical, sensory or mental capabilities or lack of experience and knowledge if they have been given supervision or instruction concerning use of the appliance in a safe way and understand the hazards involved.
- Children shall not play with the appliance. Cleaning and user maintenance shall not be made by children without supervision.
- Children of less than 3 years old should be kept away unless continuously supervised.
- Children aged from 3 to 8 shall only switch on/off the appliance provided that it has been placed or installed in its intended normal operating position and they have been given supervision or instruction concerning use of the appliance in a safe way and understand the hazards involved. Children aged from 3 to 8 shall not plug in, regulate and clean the appliance or perform user maintenance.
- **CAUTION-Some parts of this product can become very hot and cause burns. Particular attention has to be given where children and vulnerable people are present.**
- If the supply cord is damaged, it must be replaced by the manufacturer, its service agent or similarly qualified persons in order to avoid a hazard.
- The heater must not be located immediately below an electrical socket-outlet.
- Don' t use this heater in the immediate surroundings of a bath, a shower or a swimming pool.
- Do not use this heater with a programmer, timer, separate remote-control system or any other device that switches the heater on automatically, since a fire risk exists if the heater is covered or positioned incorrectly.

- **WARNING:** In order to avoid overheating, do not cover the heater.
- Keep the device at a minimum distance of one meter from flammable objects such as curtains, textiles...
- **CAUTION:** In order to avoid a hazard due to inadvertent resetting of the thermal cut-out, this appliance must not be supplied through an external switching device, such as a timer, or connected to a circuit that is regularly switched on and off by the utility.
- This heater is filled with a precise quantity of special oil. Repairs requiring opening of the oil container are only to be made by the manufacturer or his service agent who should be contacted if there is an oil leak.
- When scrapping the heater, follow the regulations concerning the disposal of oil.
- Regarding the instructions for fixed installation, refer to the below paragraph of the manual.

Electrical Connection

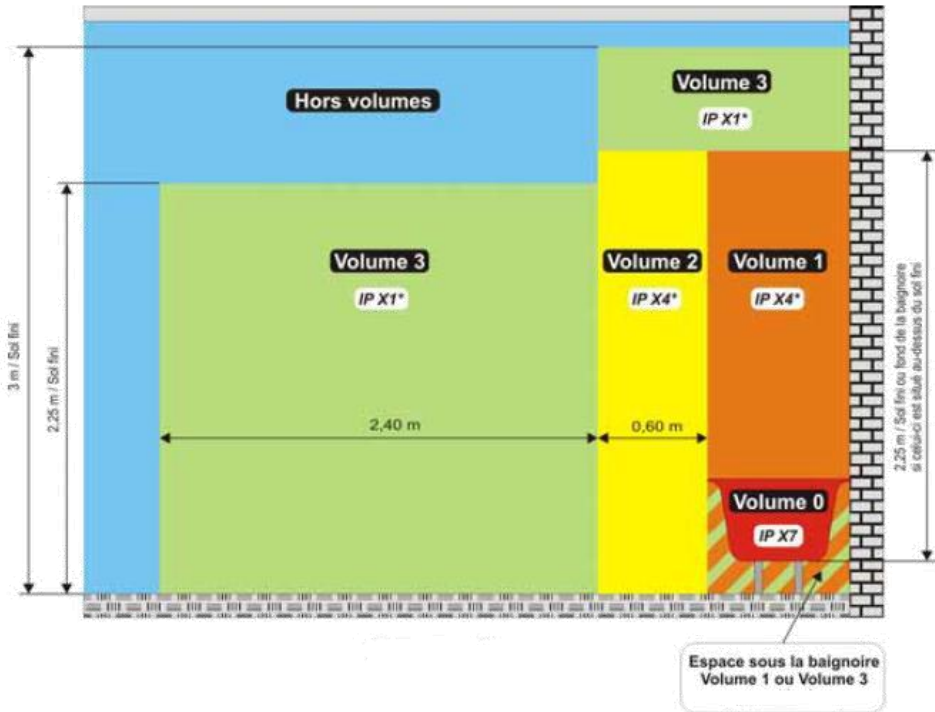
- Your heater must only be installed in a fixed position in accordance with national installation rules (for France, NFC 15100).

Indoors Use Only

- This installation must be done by a qualified electrician to avoid any danger.
- Means for disconnection having a contact separation in all poles must be incorporated in the fixed wiring in accordance with the wiring rules.
- **Attention:** Connect the three conductors of the supply cable to a connection box in respecting the polarities as below:

- Live: Brown
- Neutral: Blue
- Black: Pilot wire

- **Warning:** this product shall be installed in the volumes 2 & 3 only according the national wiring rules (For France NFC 15-100)
- Note: The below drawing is for reference only.

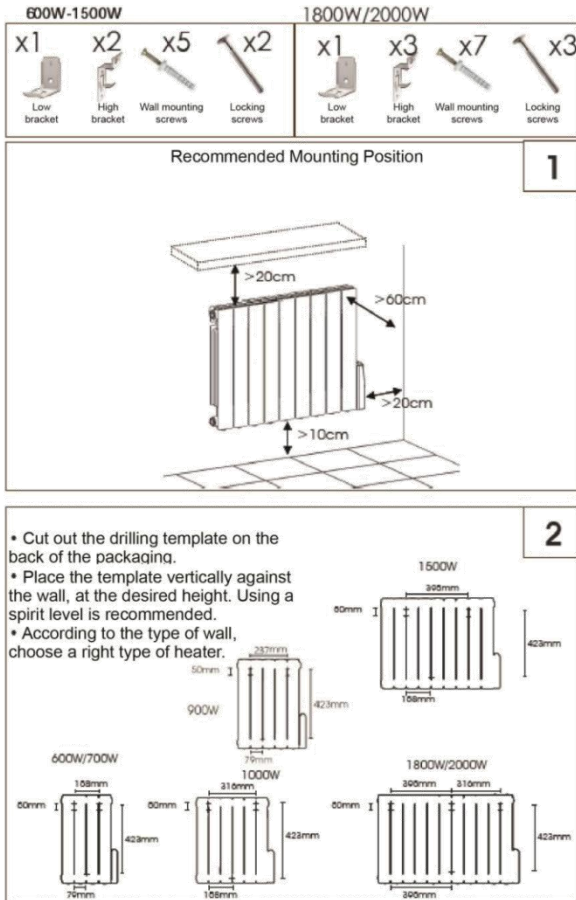


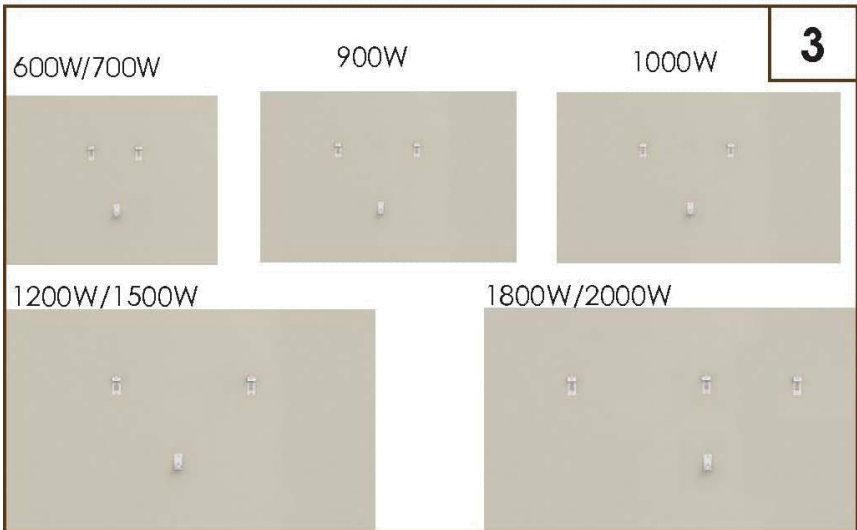
- If you are not sure, we suggest that you to contact a professional electrician for assistance.

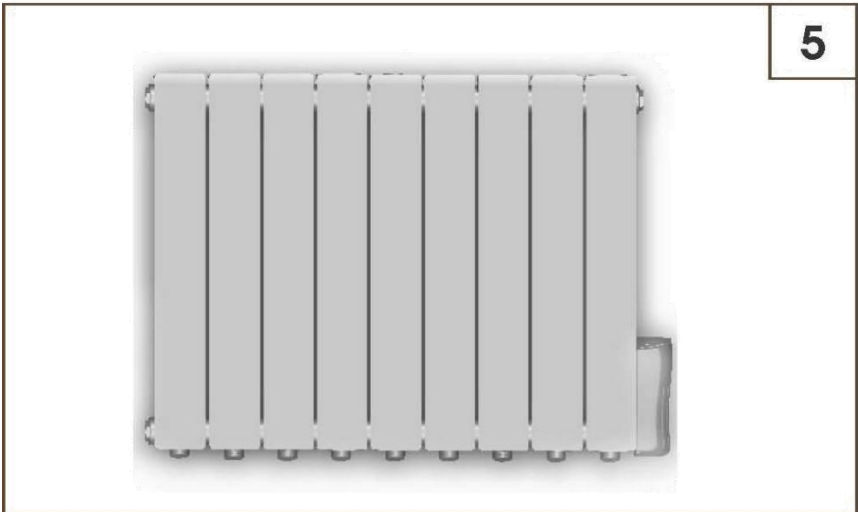
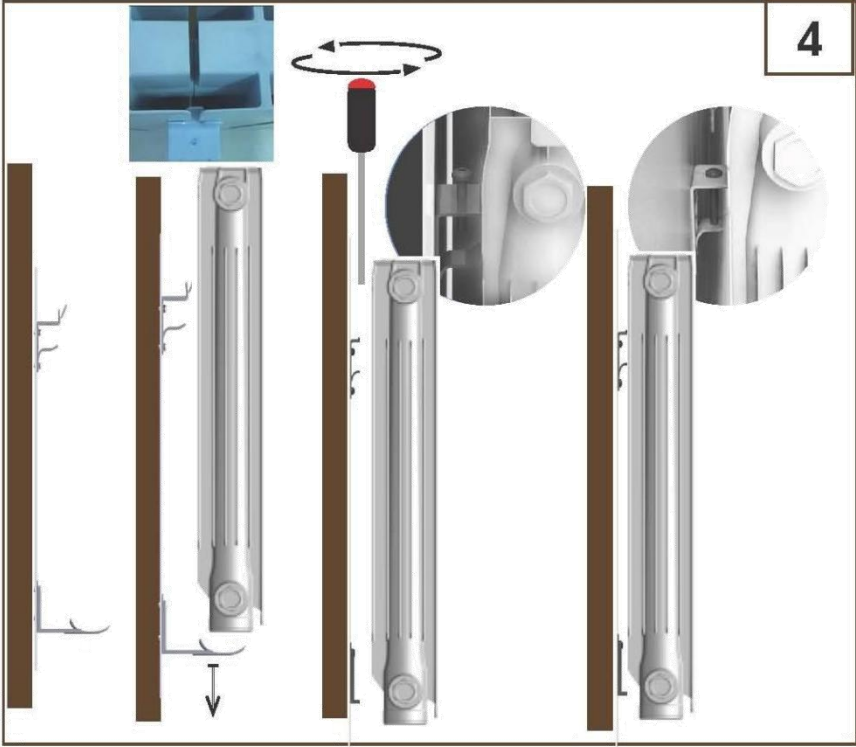
WALL MOUNTING

To install your heater:

- Use the screws, plugs and brackets supplied by the manufacturer.
- Drilling dimensions see the drilling template.
- Read the installation step instruction below and make sure the heater is well positioned in the house.







SPECIFICATION

Power Supply	230V ~ 50Hz
Models	R500/80E (600W/700W/900W/1000W/1200W/1500W /1800W/2000W)
Insulation Class	Class II
Water Protection Class	IP 24
Temperature Range Setting	7~35 °C
Timing Mode	24-hours System
Week Mode	Mon~ Sun


OPERATION

Description of the control panel



-  ON / OFF Button
-  ENTER Button
-  OK Button
-  UP Button
-  DOWN Button

To switch on or off your heater, press briefly the ON / OFF button. After

pressing  button, your heater turns into COMFORT mode.

To change the MODE, press the ENTER button. Each time you change the MODE as follows: COMFORT- ECO-ANTIFREEZE – PILOT WIRE.

LED Display

00:00

TIME / TEMPERATURE



COMFORT MODE



ECONOMIC MODE



ANTIFREEZE MODE



PROGRAM MODE



PILOT WIRE MODE



KEYBOARD LOCK

COMFORT MODE

The temperature will be maintained as you set. The pre-set temperature is 22 ° C. Set COMFORT MODE for your heater when rooms are occupied.

ECONOMIC MODE

The appliance starts to work when the room temperature is about 3.5 ° C below the temperature that you set. The pre-set temperature is 18.5 ° C. Use ECO MODE when rooms are unoccupied.

If you want to increase or decrease the temperature of the ECONOMIC and COMFORT MODE, press the UP / DOWN buttons to reach the desired temperature, stepping 0.5 ° C. The temperature can be adjusted from 7 ° C to 35 ° C.

ANTIFREEZE MODE


The appliance starts to work when the room temperature is around 7 ° C. Use this position when rooms are unoccupied for long periods of time (e.g. holidays).

PILOT WIRE MODE

The appliance will be controlled by the external control box. Under wire control mode, 6 modes are available: 1) comfort, 2) comfort-1, 3) comfort-2, 4) Economic, 5) anti-frozen 6) Power off.

PROGRAM MODE

At the first use of your heater (or after a power failure), you must set the time and day of the week:

1. Press the button  for 3 seconds until the time flashes.
2. First set the hours by pressing the buttons UP and DOWN, press OK.

3. Then set the minutes by pressing the buttons UP and DOWN, press OK.

4. Then select the day of the week 1 = Monday, 2 = Tuesday, 3 = Wednesday, 4 = Thursday, 5 = Friday, 6 = Saturday, 7 = Sunday, press OK.

The next step is time setting of your heater for each day (from 00 :00 to 24 :00) of the week (Mon to Sun). For every hour, you must choose either COMFORT mode or ECONOMIC mode.

Press UP to make your heater work on the COMFORT mode during this time or press DOWN to run on the ECO mode. COMFORT is represented by a solid bar, ECO by empty bar.

Once you have made your selection for the day, you can:

- a. press OK to enter into the next day.
- b. press OK for 3 seconds to enter into next day by copying the program of the day you just chose.
- c. change the day by continuing to press the UP / DOWN buttons until you have created a program that satisfies you.

KEYBOARD LOCK

The screen is unlocked and all the buttons make no response.

To activate the screen lock, press UP and DOWN buttons simultaneously for 3 seconds until you see appears in the screen.

Press again UP and DOWN buttons for 3 seconds to deactivate screen lock.

Factory Reset: Press button ON / OFF for 20 seconds to reset your thermostat and reinstall the original factory configuration. Warning: time, day of the week, your temperature levels of COMFORT and ECO mode and your weekly schedules will be all lost.

MAINTENANCE

Always disconnect the appliance and let it completely cool before any maintenance.

1. Use a vacuum cleaner to remove dust on the unit.
2. Clean the outside of the unit with a soft damp cloth and then dry it with a dry cloth.
3. Never immerse the appliance in water or any other liquid.

This marking indicates that this product should not be disposed with other household wastes throughout the EU. To prevent possible harm to the environment or human health from uncontrolled waste disposal, recycle it responsibly to promote the sustainable reuse of material resources. To return your used device, please use the return and collection systems or contact the retailer where the product was purchased. They can take this product for environmental safe recycling.



Living and Home

A Home is for Living in

For comfort and style update your living space.

Browse contemporary and classic designs and find the perfect home to your look and the perfect spot to lounge.

Put your feet up and sink into our stylish home decor.

We are mainly engaged in home, outdoor, home appliances, office, bathroom, provided high quality and affordable products for you. We value every one of our customers and our professional service team is always available to help you.

livingandhome.co.uk