



RETRACTABLE CEILING FAN LIGHT

SAFETY RULES

- To reduce the risk of electric shock, turn off the electricity to the fan at the main fuse box or circuit panel before beginning.
- All wiring must be in accordance with the local electrical codes or National Electrical Code. Electrical installation should be performed by a qualified licensed electrician.
- To avoid personal injury, the use of gloves may be necessary while handling fan parts with sharp edges.
- Make sure the installation site you choose allows clear space for the blades to rotate and at least 7 feet (2.13 meters) of clearance between the floor and the fan blade tips. The fan should be mounted so that the tips of the blades are at least thirty 18 inches (45.72 centimeters) from walls or other upright structures.
- **WARNING:** To reduce the risk of fire, electric shock, or personal injury, mount fan only to an outlet box marked acceptable for fan support and use mounting screws provided with the outlet box. Most outlet boxes commonly used for the support of lighting fixtures are not acceptable for fan support and may need to be replaced. Consult a qualified electrician if in doubt.
- The outlet box and ceiling support structure must be securely mounted and capable of supporting at least 45 KGs.
- To avoid personal injury or damage to the fan and other items, be cautious when working around or cleaning the fan.
- Do not use water or detergents when cleaning the fan or fan blades. A dry dust cloth or lightly dampened cloth will be suitable for most cleaning.
- After making electrical connections, spliced conductors should be turned upward and pushed carefully up into the outlet box. The wires should be spread apart with the grounded conductor and the equipment-grounding conductor on one side of the outlet box.
- Electrical diagrams are for reference only.
- The fan is suitable for indoor use only.

TOOLS REQUIRED



Phillips Screwdriver



Flat Blade Screwdriver



Step Ladder



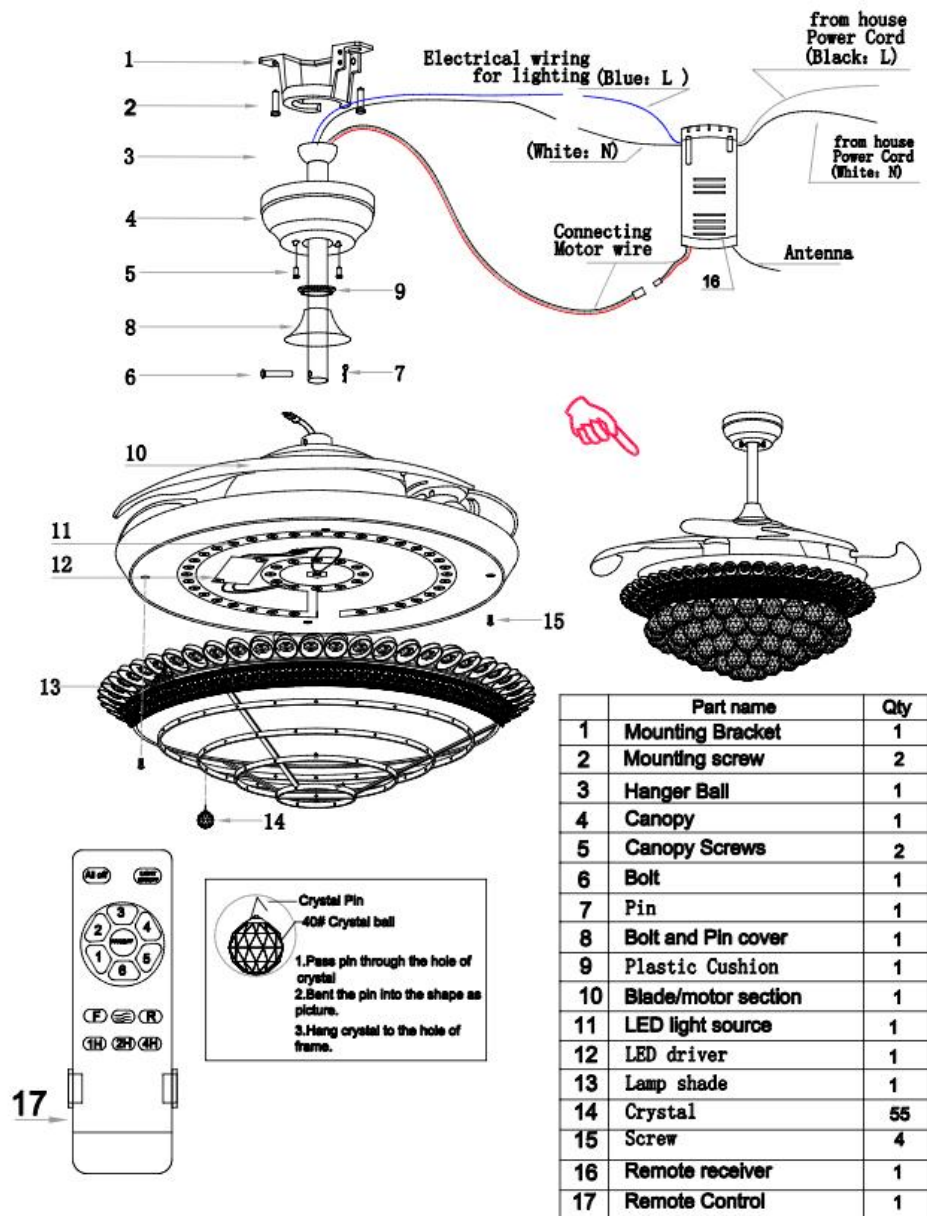
Wire Stripper



Electrical Tape

ASSEMBLY DRAWING & PARTS LIST-WITH LIGHT

Unpack your fan and check the contents.



INSTALL THE FAN

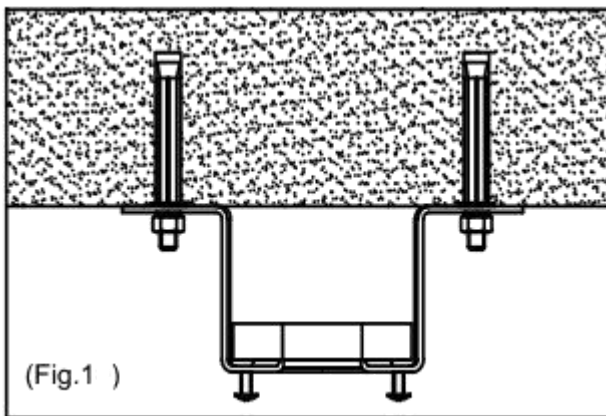
Tools Required: Phillips Screwdriver, Pair of Pliers, Straight Slot Screwdriver, Adjustable Wrench, Step Ladder and Wire Cutters.

INSTALL THE MOUNTING BRACKET

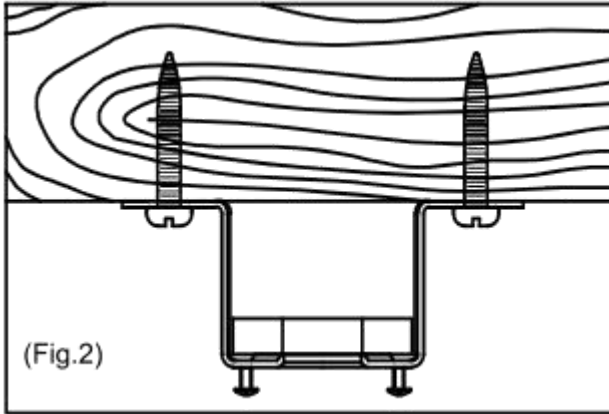
To prevent personal injury and damage, ensure that the hanging location allows the blade a clearance of 7 feet (2.13 meters) from the floor and 18 inches (45.72 centimeters) from any wall or obstruction.

If there isn't an existing CUL listed mounting box, then read the following instructions:

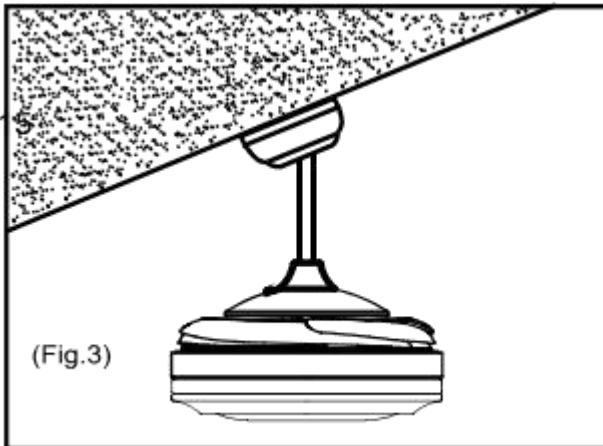
1. For the concrete ceiling: Mark the location for the ceiling fan first, then drill two holes in the ceiling to aid in securing ceiling bracket with two expansion screws provided, and secure the mounting bracket to the building structure with two expansion screws provided, tighten the screws. (Fig.1)



2. For the Wood Ceiling: Mark the location for the ceiling fan first, secure the mounting bracket to the building structure with four wood screws provided. (Fig.2)

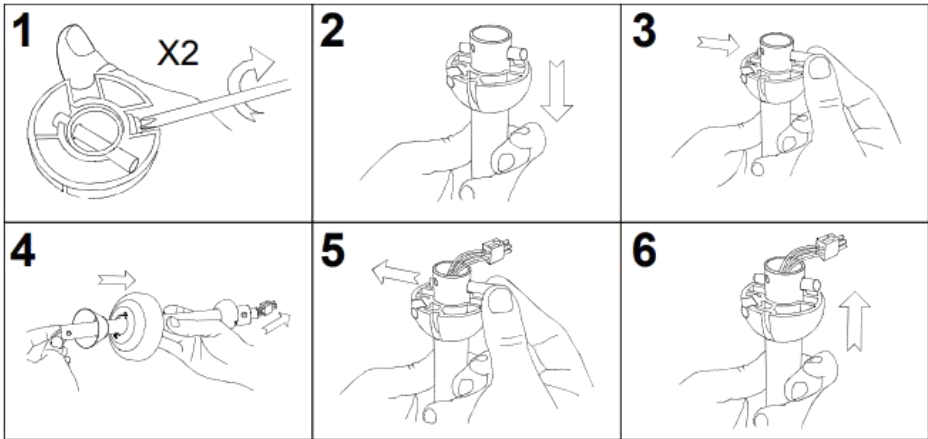


3. Refer to the Fig.3 for mounting when the ceiling is angled max.15 degree angle.



NOTE: Hanger after the installation must be able to withstand the weight of 45 kgs or more.

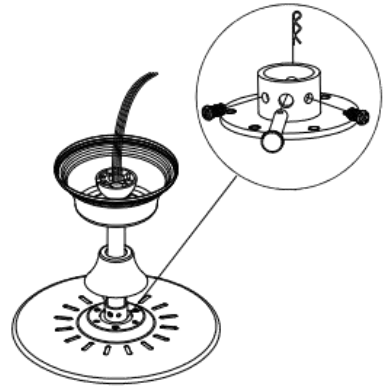
INSTALL THE DOWNROD



INSTALL THE DOWNROD

REMEMBER to turn off the power. Follow the steps below to hang your fan properly:

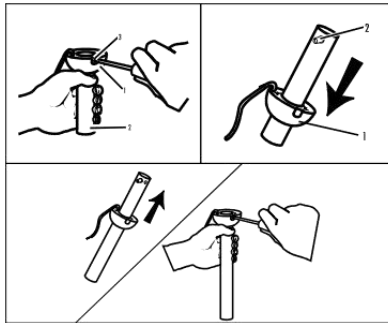
1. Remove the lock pin and hitch pin from down rod.
2. Place down rod assembly into canopy and coupling cover, carefully feed motor wires through the down rod assembly.
3. Loosen the two set screws in down rod coupling.
4. Insert down rod into down rod coupling. Install coupling lock pin through coupling and down rod. Insert hitch pin into cross pin until it snaps into place. Tighten set screws in coupling. Slide coupling cover over the down rod coupling.



CHANGE DOWNROD (OPT)

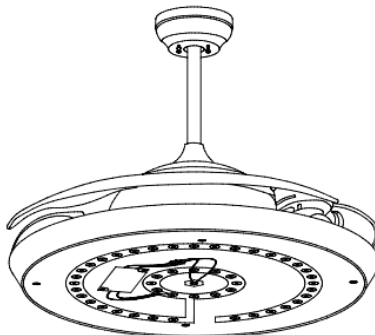
The Ceiling Fan comes with one 5 inches standard down rod which is preassembled and attached to the hanger ball, one longer 10 inches down rod is also included for higher ceilings. If you need a different down rod length, please follow these steps:

1. Loosen the hanger ball from down rod by removing set screw.
2. Slide down rod ball off of down rod and remove pin.
3. Re-install pin into extended down rod, and slide down rod ball up to the top of the down rod.
4. Re-install set screw to secure ball to down rod.



INSTALL THE LIGHT KIT

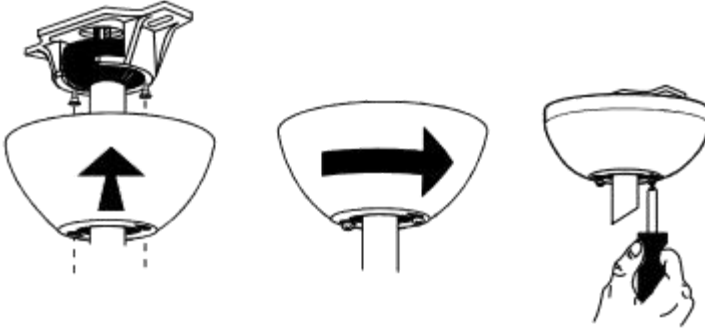
1. Make wiring connections. Please refer to the figure right for the electric connection between fan motor and light kit.
2. Install LED light source and driver to bottom of motor.



SECURE THE CANOPY

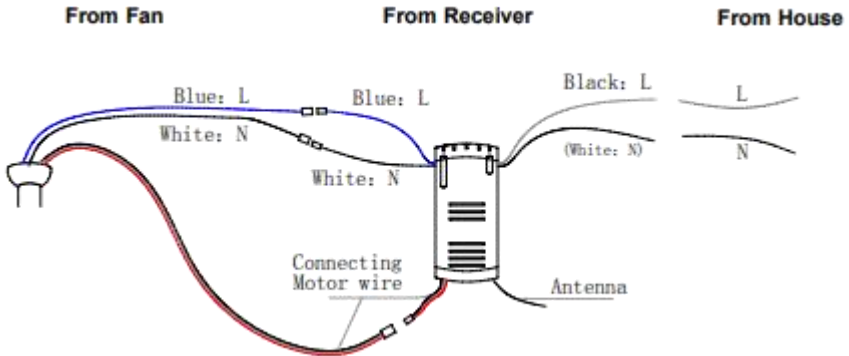
Raise the canopy up and align the keyholes on the bottom of the canopy with the 2 screws on the bottom of mounting bracket. Rotate the canopy until both screws from the mounting bracket drop into the slot recesses.

Tighten screws securely.

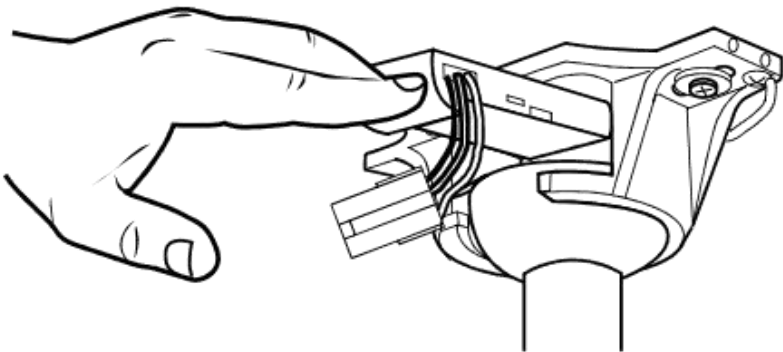


MAKE THE ELECTRIC CONNECTIONS

Make wiring connections from the house and the motor to the remote receiver as shown.

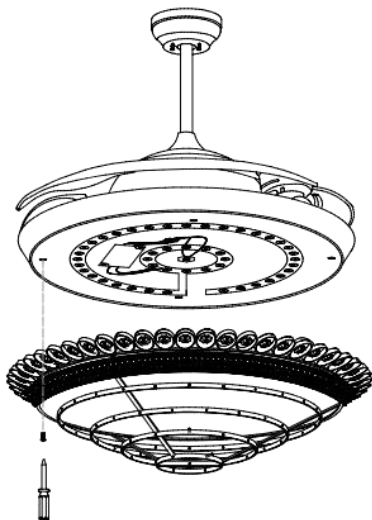


Once wiring step has been completed, slide the wired remote receiver in between the mounting bracket and the top of the down rod ball for down rod fans.

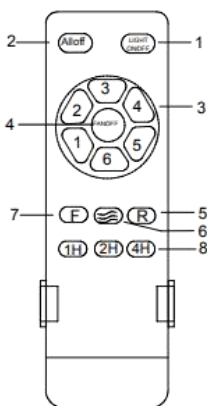


INSTALL DECORATIVE SHADE

Assembly lampshade to base and secure with side screws. Ensure shade is tightened firmly.

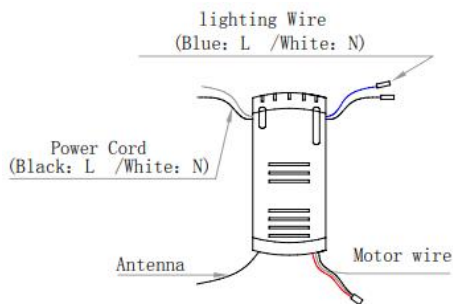


Directions for Use



1. Light on/off
 2. Fan and Light Off
 3. Speed Control
 4. Fan Off
 5. Fan Reverse
 6. Natural Wind
 7. Fan Forward
 8. Time Setting
9. Battery (not included)
2 PCS of AAA Battery

The receiver wiring instructions



Voltage: AC180-265V (50Hz - 60Hz)

TROUBLESHOOTING GUIDE

If you have difficulty operating your new ceiling fan, it may be the result of incorrect assembly, installation, or wiring.

In some cases, these installation errors may be mistaken for defects. If you experience any faults, please check this Trouble Shooting Guide. If a problem cannot be remedied, please consult with your authorized electrician and do not attempt any electrical repairs yourself, and please feel free to contact us:

Before:

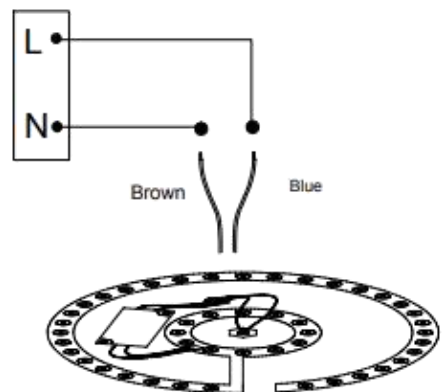
1. This is LED ceiling fan, **DO NOT** install any dimmer switch for this.
2. Install the Remote **OR** Wall Switch, **DO NOT** install both of them.
3. Check circuit fuses or breakers and make sure the battery is installed correctly.
4. Check line wire connections to the fan and switch wire connections in the switch housing.

CAUTION: Make sure main power is off.

Problem: light does not work

Solution:

1. Check to see that the wire connections in the switch housing are connected.
2. Make wiring connections from the house to the LED light directly (don' t connect the remote and the fan) to determine is the is the issue of the LED light or not.



Problem: Fan will not start.

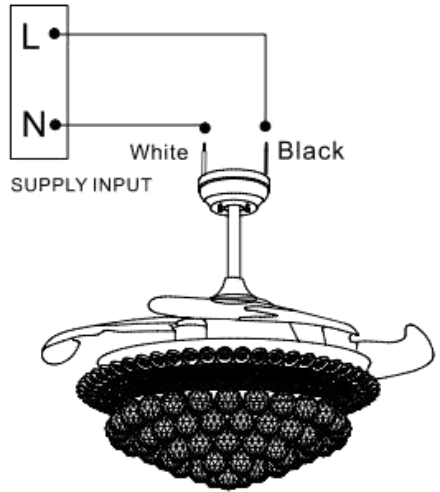
Solution:

1. Check line wire connections to the fan and switch wire connections in the switch housing. **CAUTION:** Make sure main power is off.

2. Make the Fan wiring connections without the remote & transmitter and the light, to determine it's the issue of the fan body or not.

- Please don't wire the light at the bottom.
- Connect the Ceiling Fan Neutral Wire (White) to the Neutral Wire (white) coming through the ceiling.
- Connect the Ceiling Fan Live Wire (Black) to the Live wire (Black or Colored) coming through the ceiling.

Then turn on the main power, check the fan works separately or not.



Problem: Fan and Light don't work/ Remote control malfunction

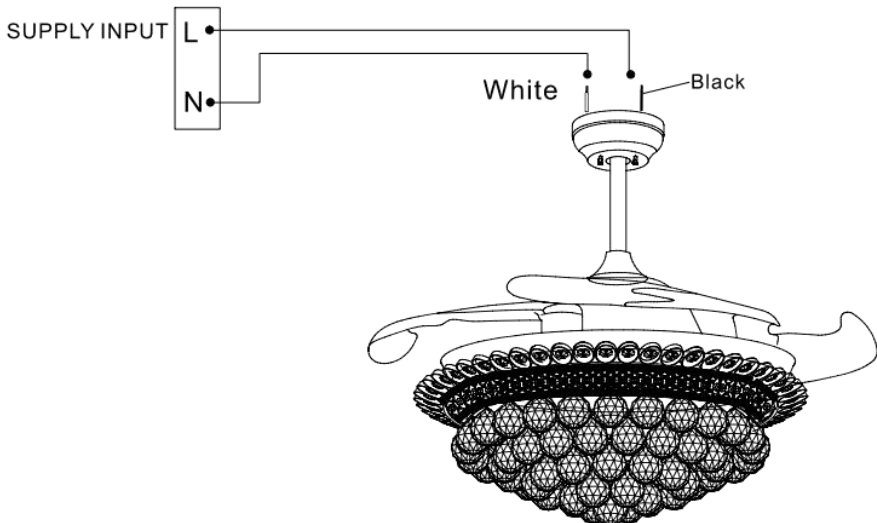
Solution: Test the Fan and LED Light--Without the Remote & Transmitter

In most cases, the ceiling fan & light don't work because of the wrong programming of the Remote Control, please try to connect the wiring without the remote & transmitter:

Turn off the main power:

- Connect the wiring at the bottom for the LED Light.
- Connect the Ceiling Fan Neutral Wire (White) to the Neutral Wire (white) coming through the ceiling.
- Connect Ceiling Fan Live Wire (Black) to the Live wire (Black or Colored) coming through the ceiling.

Then turn on the main power, if the ceiling fan and the light works, it's the issues of the remote & transmitter.



Living and Home

A Home is for Living in

For comfort and style update your living space.

Browse contemporary and classic designs and find the perfect home to your look and the perfect spot to lounge.

Put your feet up and sink into our stylish home decor.

We are mainly engaged in home, outdoor, home appliances, office, bathroom, provided high quality and affordable products for you. We value every one of our customers and our professional service team is always available to help you.

livingandhome.co.uk