

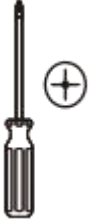


RETRACTABLE CEILING FAN LIGHT

SAFETY RULES

- To reduce the risk of electric shock, turn off the electricity to the fan at the main fuse box or circuit panel before beginning.
- All wiring must be in accordance with the local electrical codes or National Electrical Code. Electrical installation should be performed by a qualified licensed electrician.
- To avoid personal injury, the use of gloves may be necessary while handling fan parts with sharp edges.
- Make sure the installation site you choose allows clear space for the blades to rotate and at least seven 7 feet (2.13 meters) of clearance between the floor and the fan blade tips. The fan should be mounted so that the tips of the blades are at least 18 inches (45.72 centimeters) from walls or other upright structures.
- **WARNING:** To reduce the risk of fire, electric shock, or personal injury, mount fan only to an outlet box marked acceptable for fan support and use mounting screws provided with the outlet box. Most outlet boxes commonly used for the support of lighting fixtures are not acceptable for fan support and may need to be replaced. Consult a qualified electrician if in doubt.
- The outlet box and ceiling support structure must be securely mounted and capable of supporting at least 45KGs.
- To avoid personal injury or damage to the fan and other items, be cautious when working around or cleaning the fan.
- Do not use water or detergents when cleaning the fan or fan blades. A dry dust cloth or lightly dampened cloth will be suitable for most cleaning.
- After making electrical connections, spliced conductors should be turned upward and pushed carefully up into the outlet box. The wires should be spread apart with the grounded conductor and the equipment-grounding conductor on one side of the outlet box.
- Electrical diagrams are for reference only.
- The fan is suitable for indoor use only.

TOOLS REQUIRED



Phillips Screwdriver



Flat Blade Screwdriver



Step Ladder



Wire Stripper

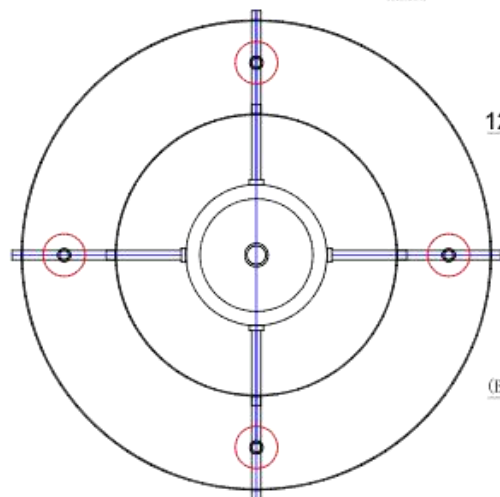
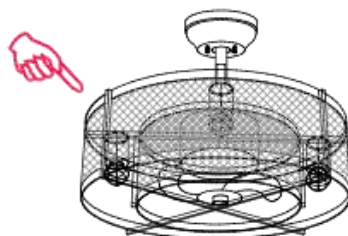
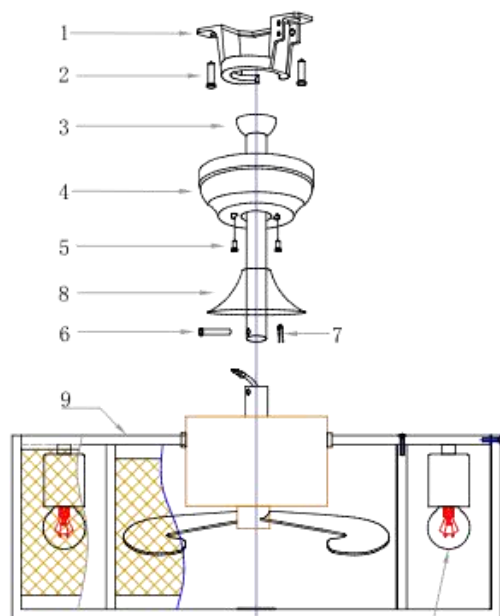


Electrical Tape

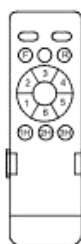
BEFORE INSTALLATION

Unpack your fan and check the contents. You should have the followings:

	Part name	Qty
1	Hanging Board	1
2	Mounting screw	2
3	Hanger Ball	1
4	Canopy	1
5	Screws	2
6	Bolt screw	1
7	Bolt	1
8	Decorative cover	1
9	Blade/motor section	1
10	Light bulb	4
11	Remote receiver	1
12	Remote Control	1

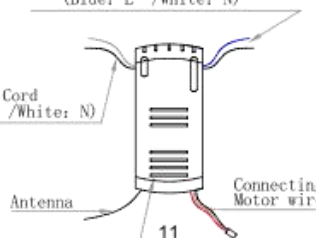


12



Electrical wiring for lighting
(Blue: L /White: N)

Power Cord
(Black: L /White: N)



INSTALLATION

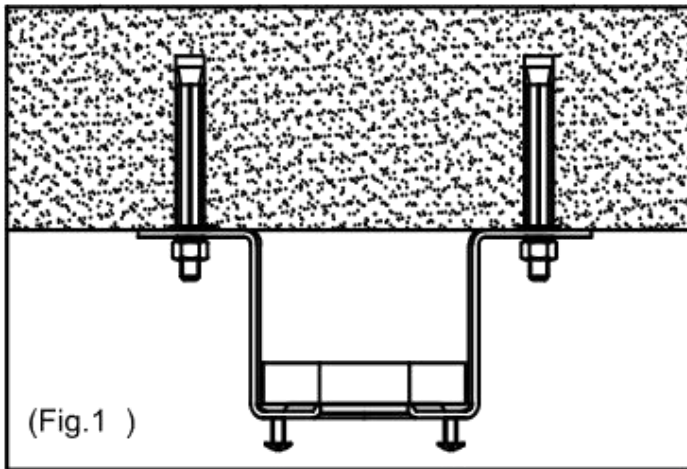
Tools Require: Phillips Screwdriver, Pair of Pliers, Straight Slot Screwdriver, Adjustable Wrench, Step Ladder and Wire Cutters.

INSTALL THE MOUNTING BRACKET

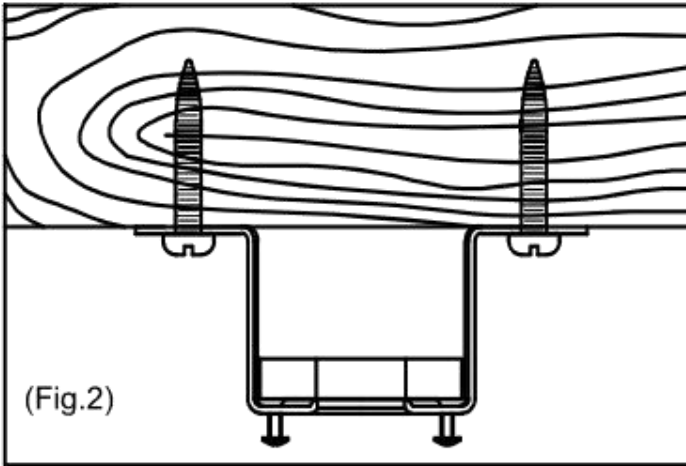
To prevent personal injury and damage, ensure that the hanging location allows the blade a clearance of 7 feet (2.13 meters) from the floor and 18 inches (45.72 centimeters) from any wall or obstruction.

If there isn't an existing CUL listed mounting box, then read the following instructions:

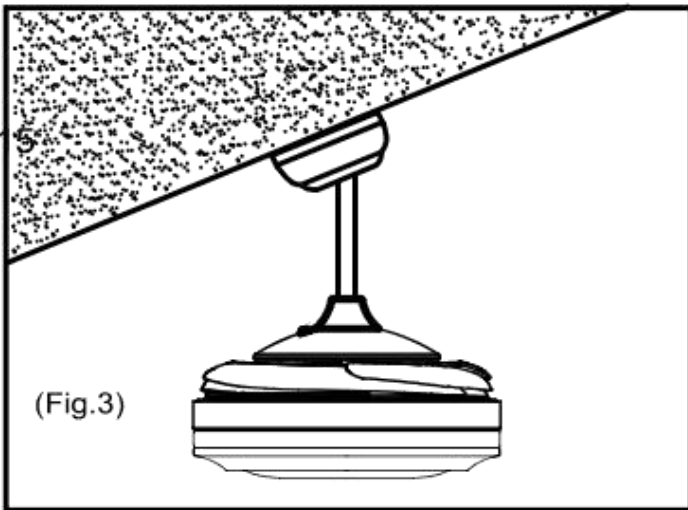
1. For the concrete ceiling: Mark the location for the ceiling fan first, then drill two holes in the ceiling to aid in securing ceiling bracket with two expansion screws provided, and secure the mounting bracket to the building structure with two expansion screws provided, tighten the screws. (Fig.1)



2. For the Wood Ceiling: Mark the location for the ceiling fan first, secure the mounting bracket to the building structure with four wood screws provided. (Fig.2)

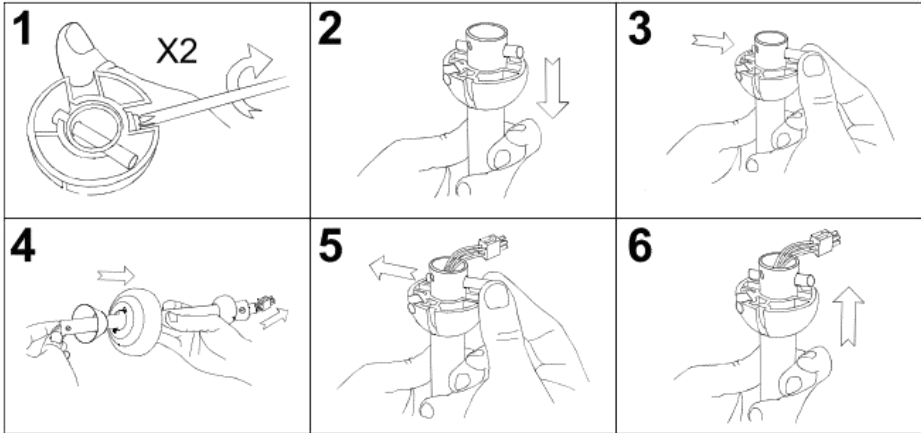


3. Refer to Fig.3 for mounting when the ceiling is angled max.15 degree.



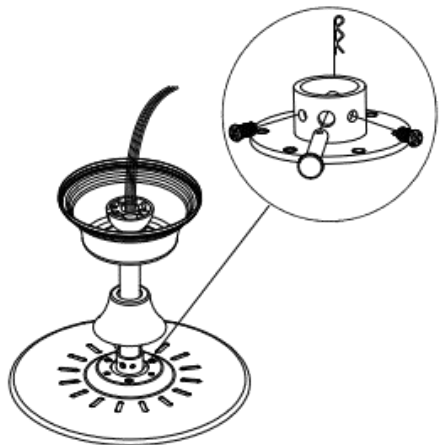
NOTE: Hanger after the installation must be able to withstand the weight of 45kgs or more.

INSTALL THE DOWNROD



REMEMBER to turn off the power. Follow the steps below to hang your fan properly:

1. Remove the lock pin and hitch pin from the down rod.
2. Place down rod assembly into canopy and coupling cover, carefully feed motor wires through the down rod assembly.
3. Loosen the two set screws in down rod coupling.
4. Insert down rod into down rod coupling. Install coupling lock pin through coupling and down rod. Insert hitch pin into cross pin until it snaps into place. Tighten set screws in coupling. Slide coupling cover over the down rod coupling.

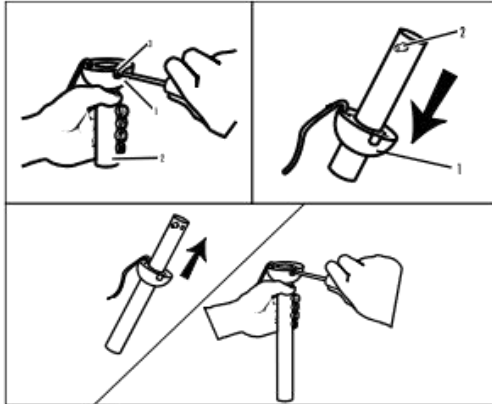


CHANGE DOWNROD (OPT)

The Ceiling Fan comes with one 5 inches standard down rod which is pre-assembled and attached to the hanger ball, one longer 10 inches down rod is also included for higher ceilings.

If you need a different down rod length, please follow these steps:

1. Loosen the hanger ball from the down rod by removing the set screw.
2. Slide down rod ball off of down rod and remove pin.
3. Re-install pin into extended down rod, and slide down rod ball up to the top of the down rod.
4. Re-install set screw to secure the ball to the down rod.



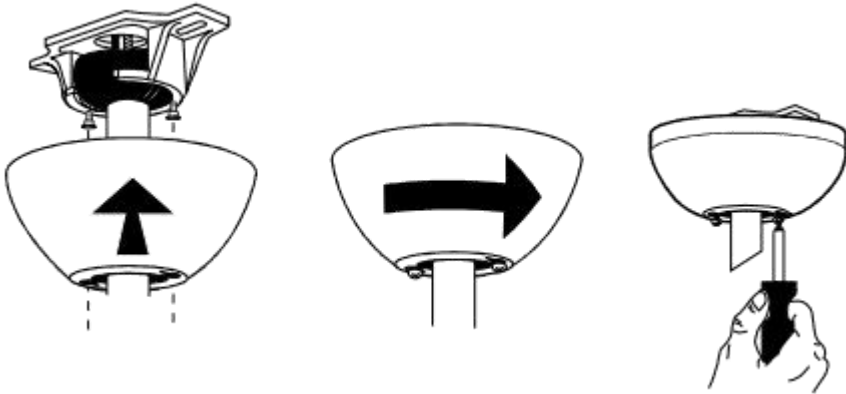
INSTALL LIGHT BULB (NOT INCLUDED)

1. Install light bulbs (not included) to socket.

SECURE THE CANOPY

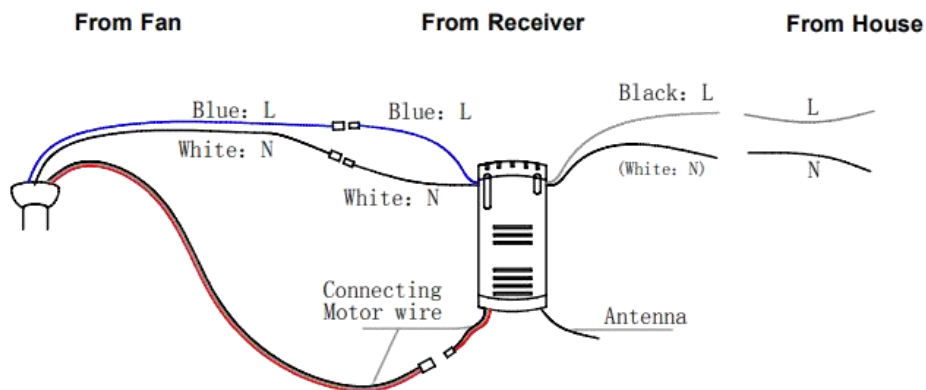
Raise the canopy up and align the keyholes on the bottom of the canopy with the 2 screws on the bottom of mounting bracket. Rotate the canopy until both screws from the mounting bracket drop into the slot recesses.

Tighten screws securely.

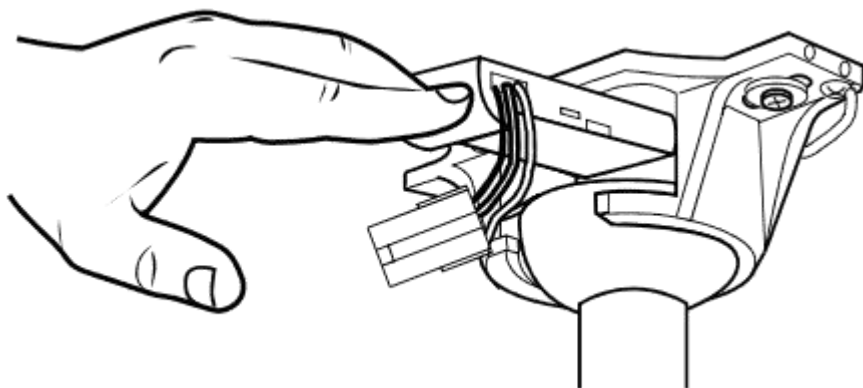


ELECTRIC CONNECTIONS

Make wiring connections from the house and the motor to the remote receiver as shown below.

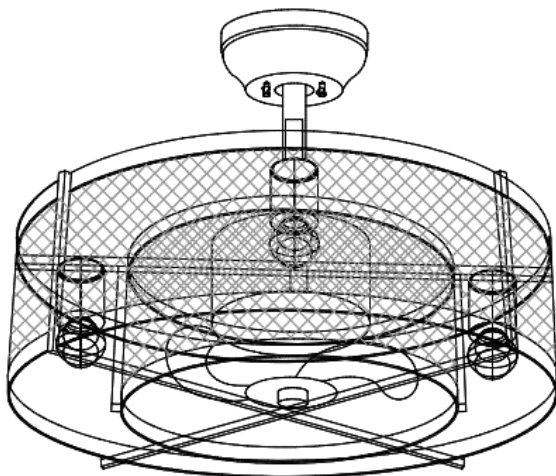


Once wiring step has been completed, slide the wired remote receiver in between the mounting bracket and the top of the down rod ball for down rod fans.

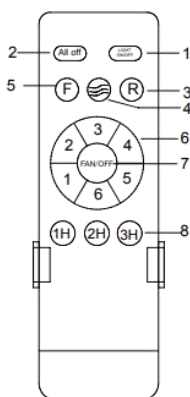


INSTALL DECORATIVE SHADE

Assembly metal lampshade to base and secure with decorative nut. Ensure shade is tightening firmly.



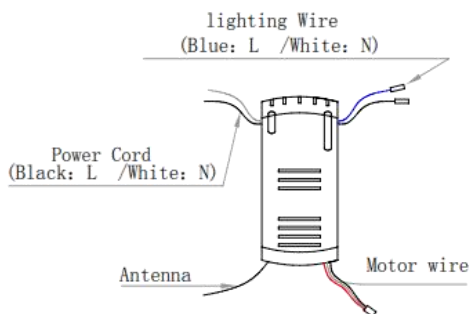
Directions for use



1. Light On/Off
2. Fan and Light Off
3. Speed Control
4. Fan Off
5. Fan Reverse
6. Natural Wind
7. Fan Forward
8. Time Setting
9. Battery (not included)

2PCS of AAA Battery

The receiver wiring instructions



Voltage: AC85-265V (50Hz - 60Hz)

Living and Home

A Home is for Living in

For comfort and style update your living space.

Browse contemporary and classic designs and find the perfect home to your look and the perfect spot to lounge.

Put your feet up and sink into our stylish home decor.

We are mainly engaged in home, outdoor, home appliances, office, bathroom, provided high quality and affordable products for you. We value every one of our customers and our professional service team is always available to help you.

livingandhome.co.uk