

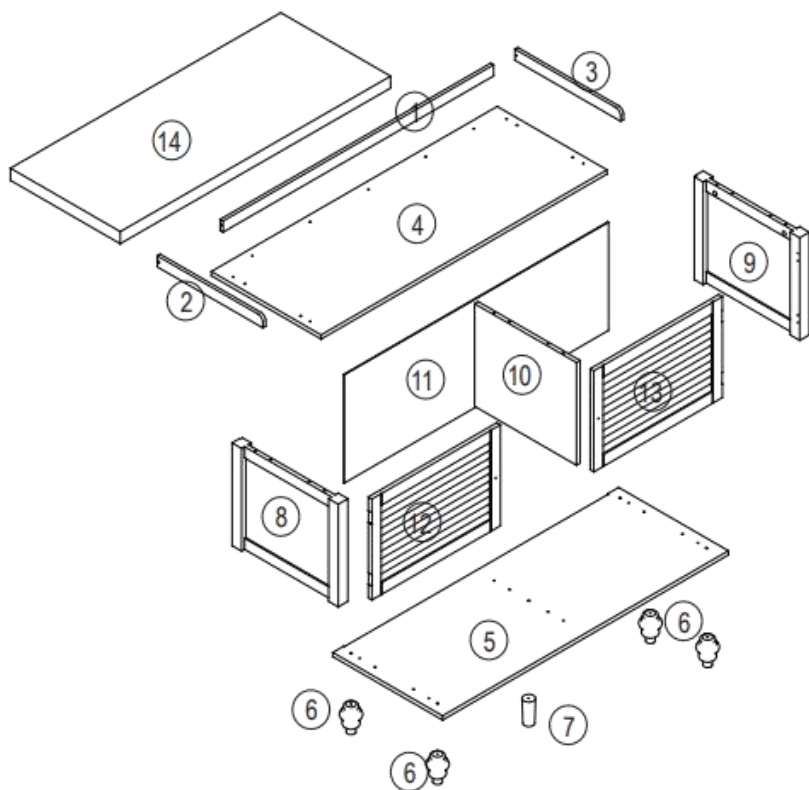


STORAGE BENCH

ASSEMBLY INSTRUCTIONS

- Carefully unpack & identify each component before attempting to assemble, refer to parts list.
- Please take care when assembling the unit and always set the parts on a clean, soft surface.
- Check screws, nuts and bolts periodically (or every 6 months). Tighten if necessary.

PART LIST



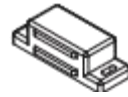
COMPONENTS



A: (x15)



B: (x6)



C: (x2)



D: (x4)



E: (x18)



F: (x5)



G: (x1)



H: (x2)



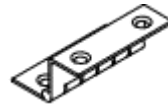
I: (x1)



J: (x6)



K: (x18)



L: (x4)



M: (x2)



N: (x2)

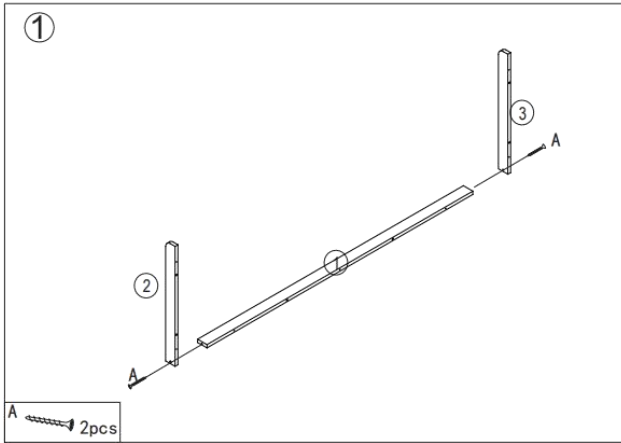


O: (x18)

INSTALLATION

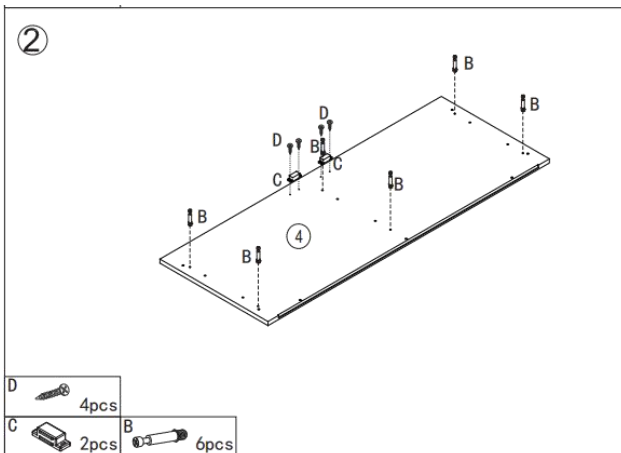
Step 1

Attach ② and ③ to ① with A.



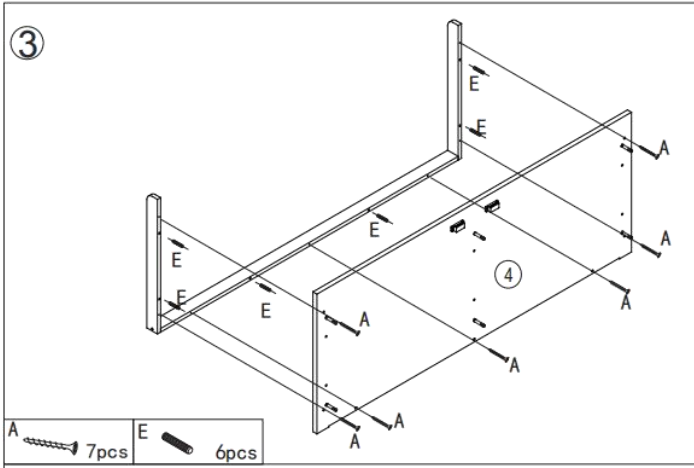
Step 2

Insert B into ④. Attach C to ④ with D.



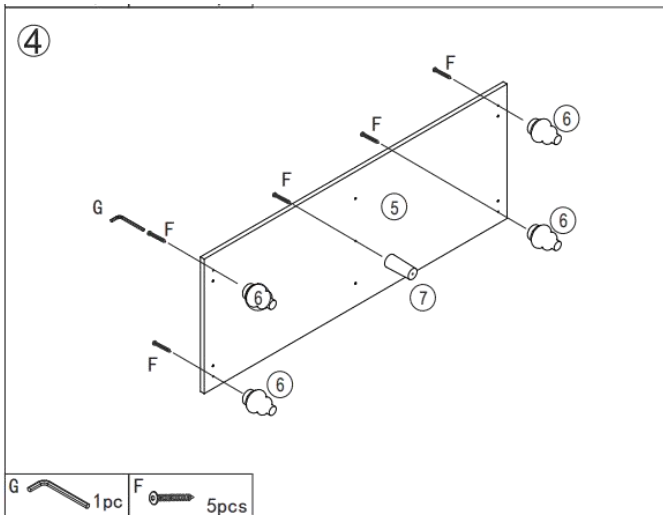
Step 3

Attach the assembled part of step 1 to the assembled part of step 2 with A and E as shown.



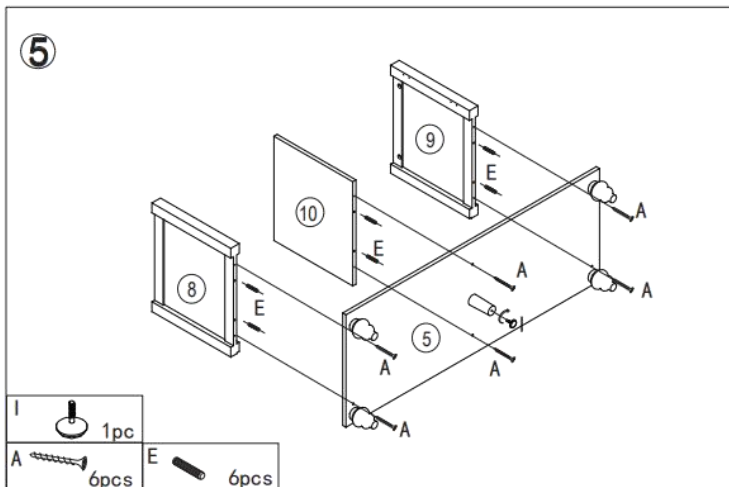
Step 4

Attach ⑥ and ⑦ to ⑤ with F using G.



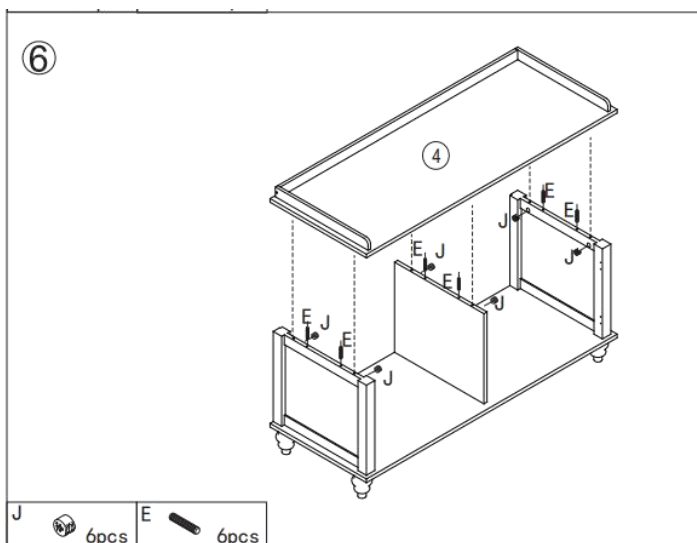
Step 5

Attach ⑧, ⑨, ⑩ to ⑤ with A and E. Attach I to ⑦ by turning clockwise.



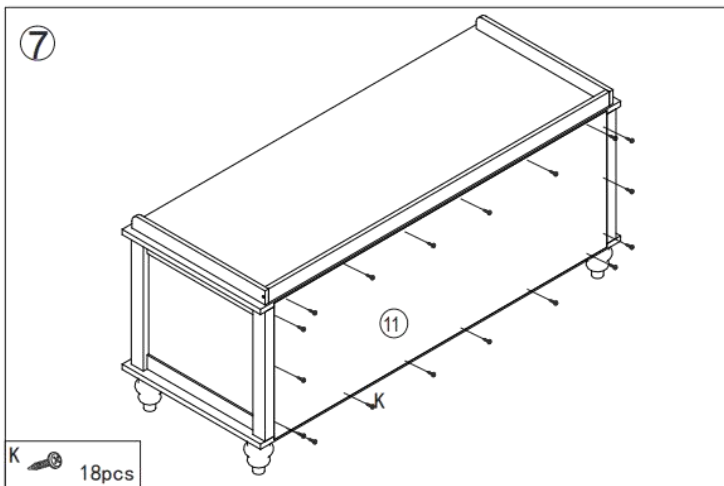
Step 6

Attach ④ to the assembled part of step 5 with J and E.



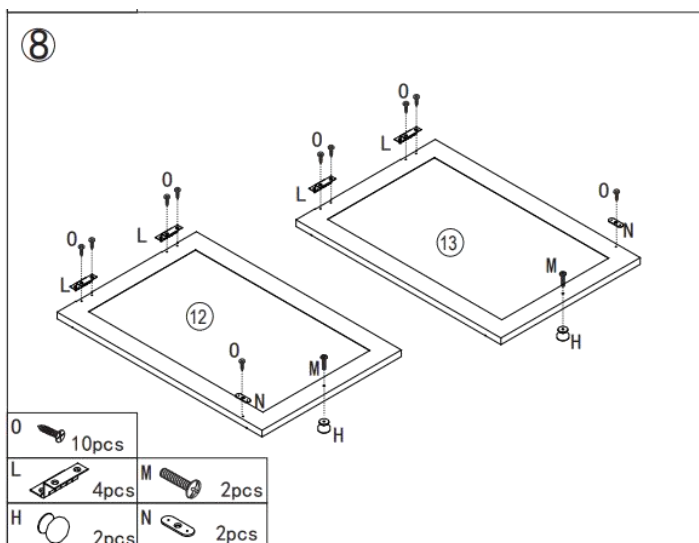
Step 7

Attach ⑪ to the assembled part of step 6 with K.



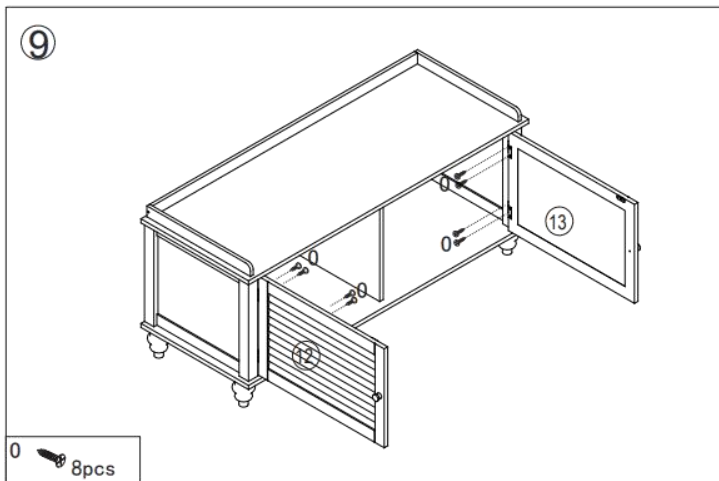
Step 8

Attach L and N to ⑫ and ⑬ with O. Attach H to ⑫ and ⑬ with M.



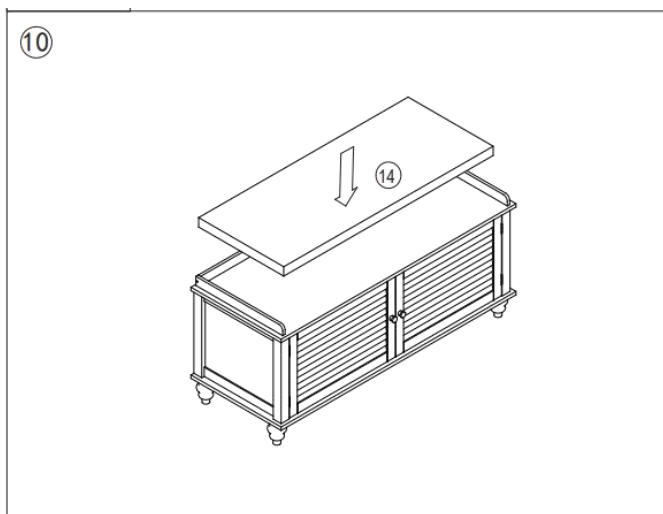
Step 9

Attach ⑫ and ⑬ to the storage bench with O.



Step 10

Place ⑭ on the top of the storage bench as shown.



CLEANING & CARE

- Wipe regularly with clean water and a damp, clean, soft white cloth.
- General cleaning can be done as needed with a mild detergent and water solution.
- Always rinse with clean water and dry. For heavy soiling, dampen a soft white cloth or soft bristle brush. Use care as scrubbing can damage the surface.
- More difficult stains can be treated, but this should be occasional, not daily, cleaning.
- ANY cleaning solution used must be removed with clean water and a clean white cloth. Cleaning residue left on the material can cause it to dry out and crack, or affect the color.
- DO NOT use any cleaners with corrosive ingredients (lye, acids or ammonia).

Living and Home

A Home is for Living in

For comfort and style update your living space.

Browse contemporary and classic designs and find the perfect home to your look and the perfect spot to lounge.

Put your feet up and sink into our stylish home decor.

We are mainly engaged in home, outdoor, home appliances, office, bathroom, provided high quality and affordable products for you. We value every one of our customers and our professional service team is always available to help you.

livingandhome.co.uk