

PLASTIC GARDEN SHED 5X3FT

Instructions for Assembly



WARNING

Please read the instruction manual carefully before assembly.
Please assembly strictly in accordance with the instruction.
Please double-check to ensure that all parts of the package contents intact.
To avoid injury, work gloves are recommended during assembly.

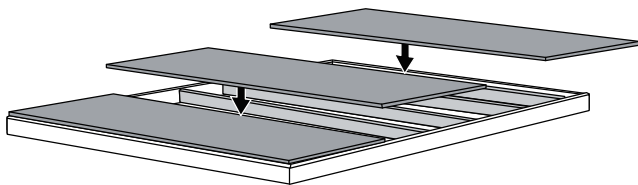
SITE PREPARATION

Level the ground surface

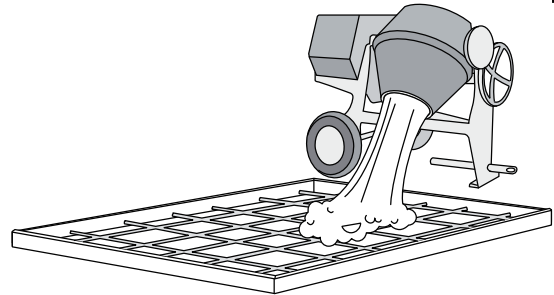


Recommendation: Construct a wooden or concrete base as a foundation

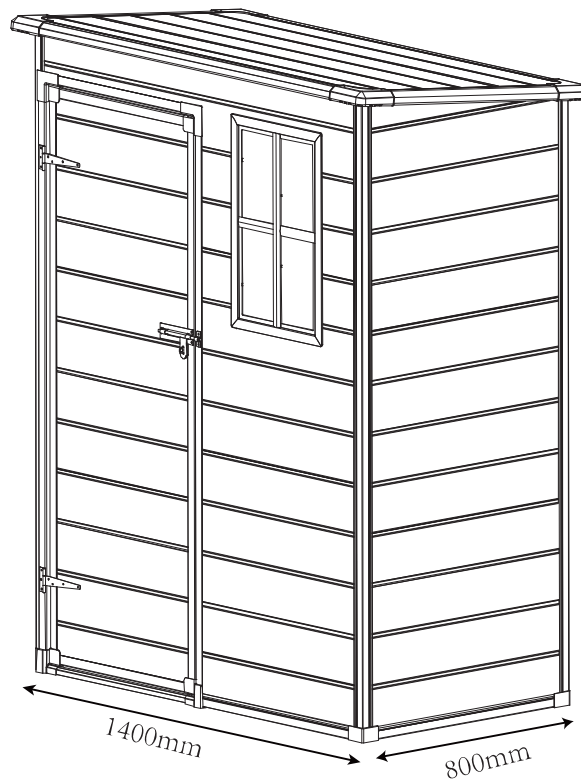
Option **A**



Option **B**



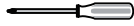
External floor measurements are:



BEFORE STARTING ASSEMBLY

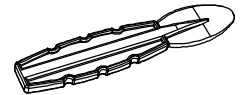
Read the care and safety guidelines at the end of this manual | Check to ensure that there are no missing or damaged parts BEFORE starting or arranging assembly | Remove all parts from the package(s) and spread them out on a clean work surface | Review all assembly instructions | Assemble all the parts according to the directions in this manual. Do not skip any steps.

REQUIRED TOOLS



SPATULA

- Use spatula (part “**SG8**”) for easier insertion of panel into profile.

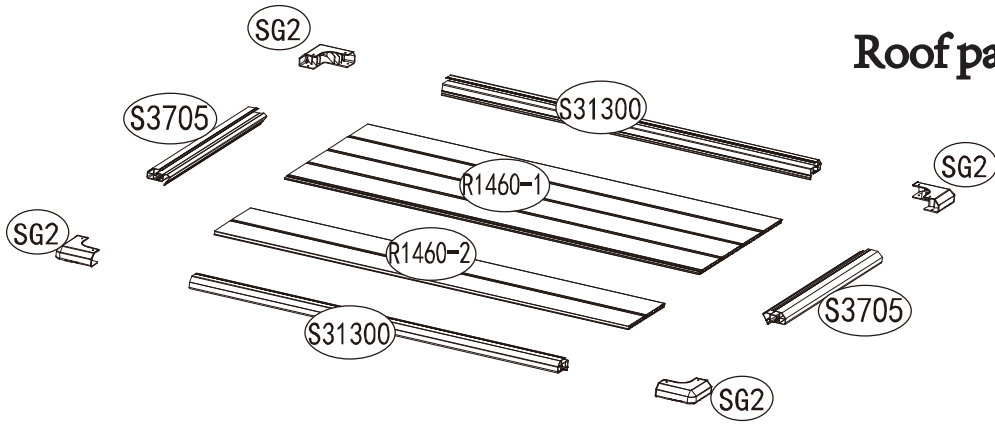


SG8 x2

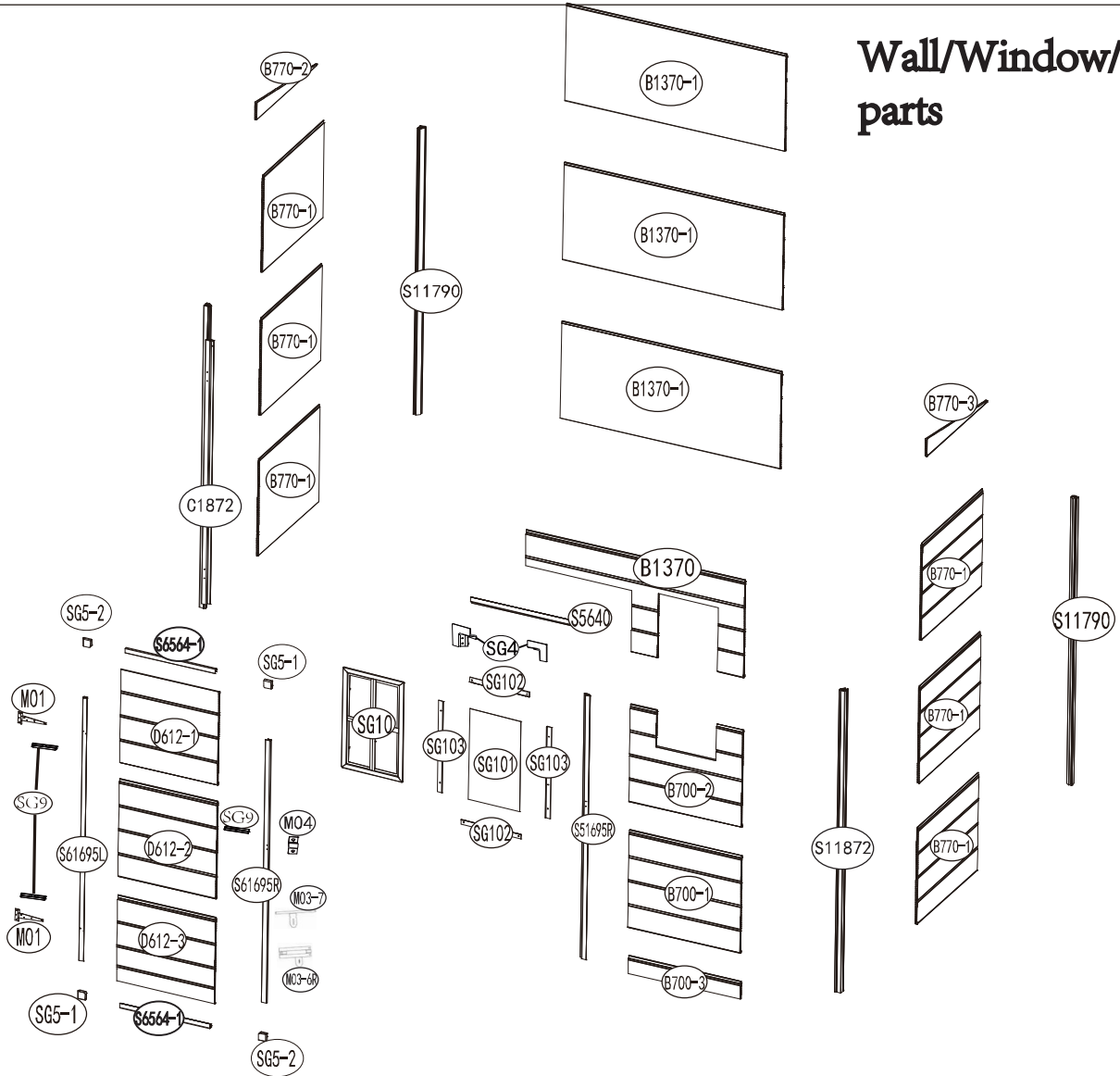


ASSEMBLY REQUIRES TWO PEOPLE

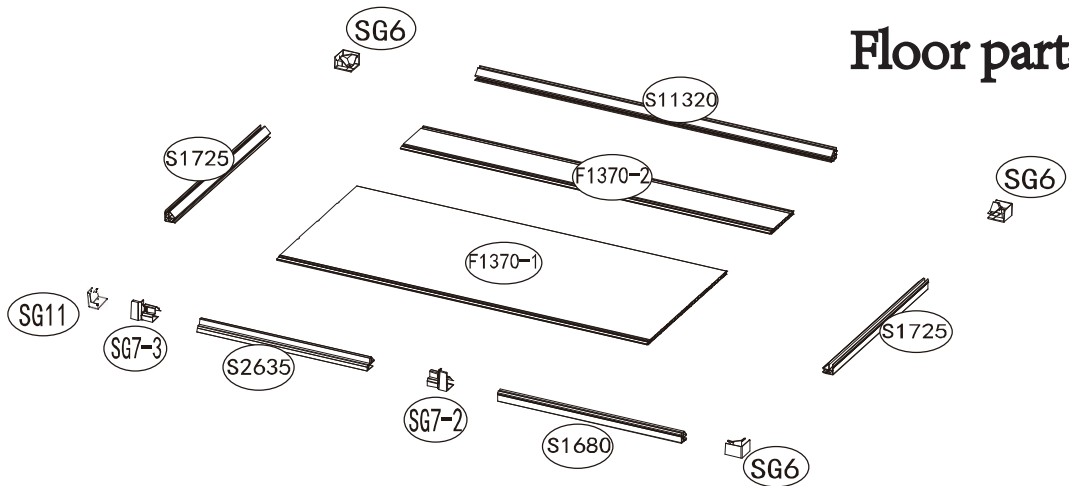
Roof parts







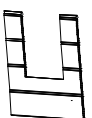


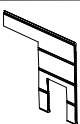
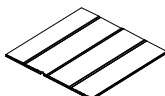
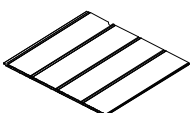
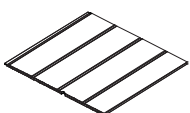


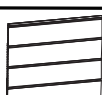
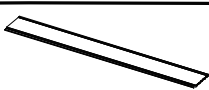

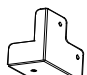
Wall/Window/Door parts




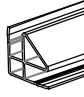




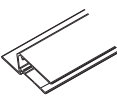
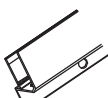
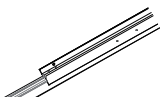


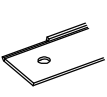
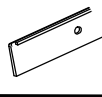
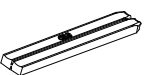
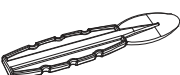


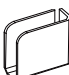
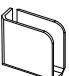
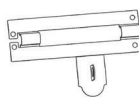
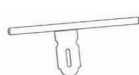

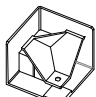


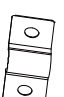
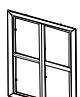

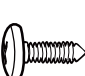
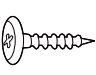



Floor parts



PARTS LIST

NO.	PART	Qty.
B770-1		6
B770-2		1
B770-3		1
B700-1		1
B700-2		1
B700-3		1
B1370-1		3
B1370		1
D612-1		1
D612-2		1
D612-3		1
R1460-1		1
R1460-2		1
F1370-1		1
F1370-2		1
S6564-1		2
SG11		1

NO.	PART	Qty.
S11872		1
S11790		2
S1725		2
S11320		1
S1680		1
S2635		1
S31300		2
S3705		2
S5640		1
S51695R		1
C1872		1
S61695R		1
S61695L		1
SG102		2
SG103		2
SG9		3
SG8		2

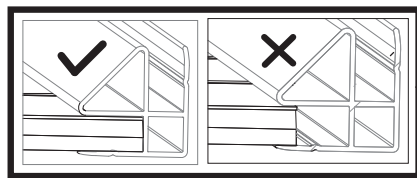
NO.	PART	Qty.
M01		2
SG5-2		2
SG5-1		2
M03-6R		1
M03-7		1
SG2		4
SG6		3
SG7-2		1
SG7-3		1
M04		1
SG10		1
SG101		1
Z410		55
Z420		102
Drill		1
SG4		2
ZW413		22

● Use spatula  (part "SG8") for easier insertion of panel into profile

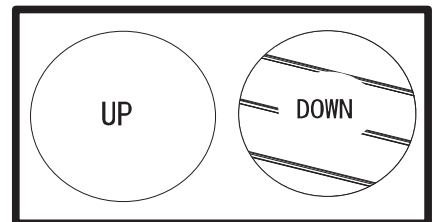
● Please ensure the panels are all installed on position before screwing



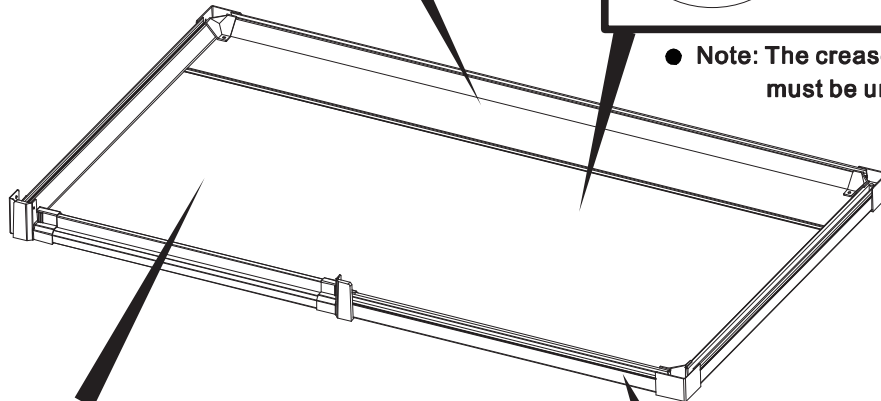
Floor Assembly



● Fully fit the panel inside the profile



● Note: The crease line of the floor must be underneath



● The floor panels must be straight



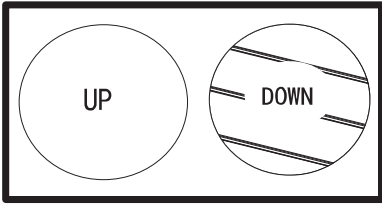
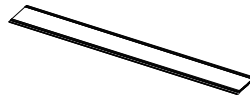
● Use spatula  (part "SG8") for easier insertion of panel into profile

1

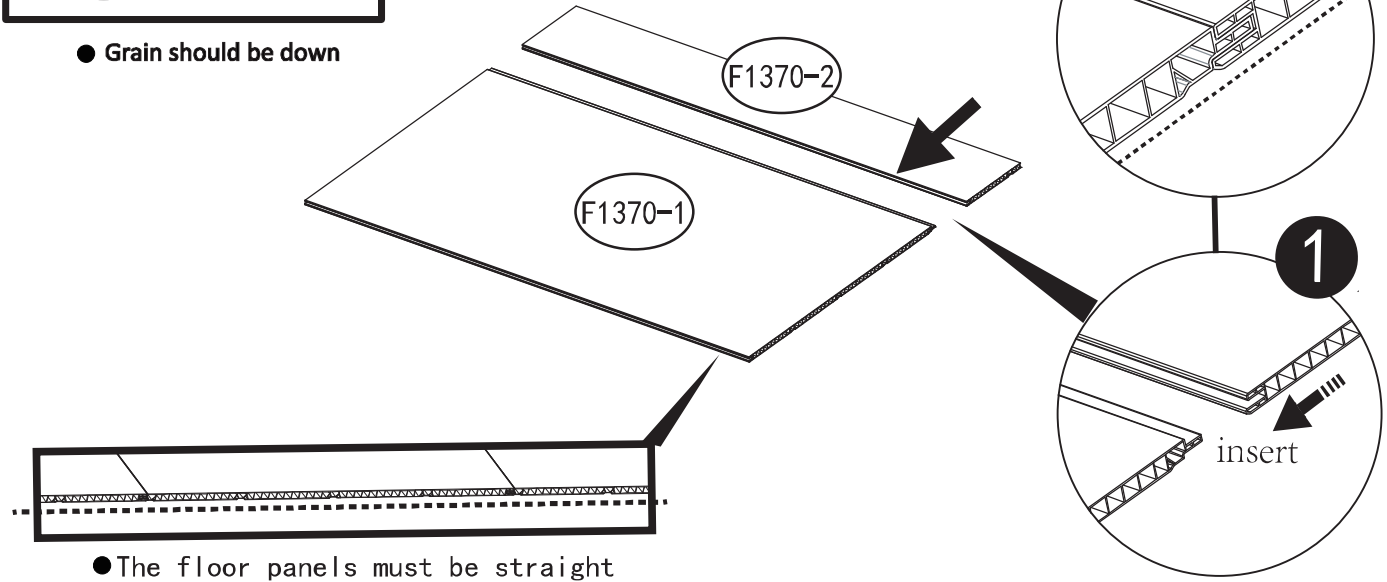
F1370-1
(x1)



F1370-2
(x1)



● Grain should be down



2

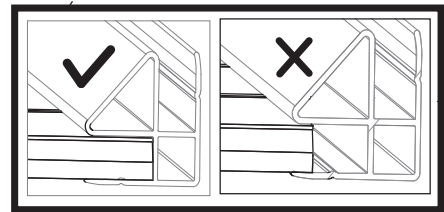
SG6
(x2)



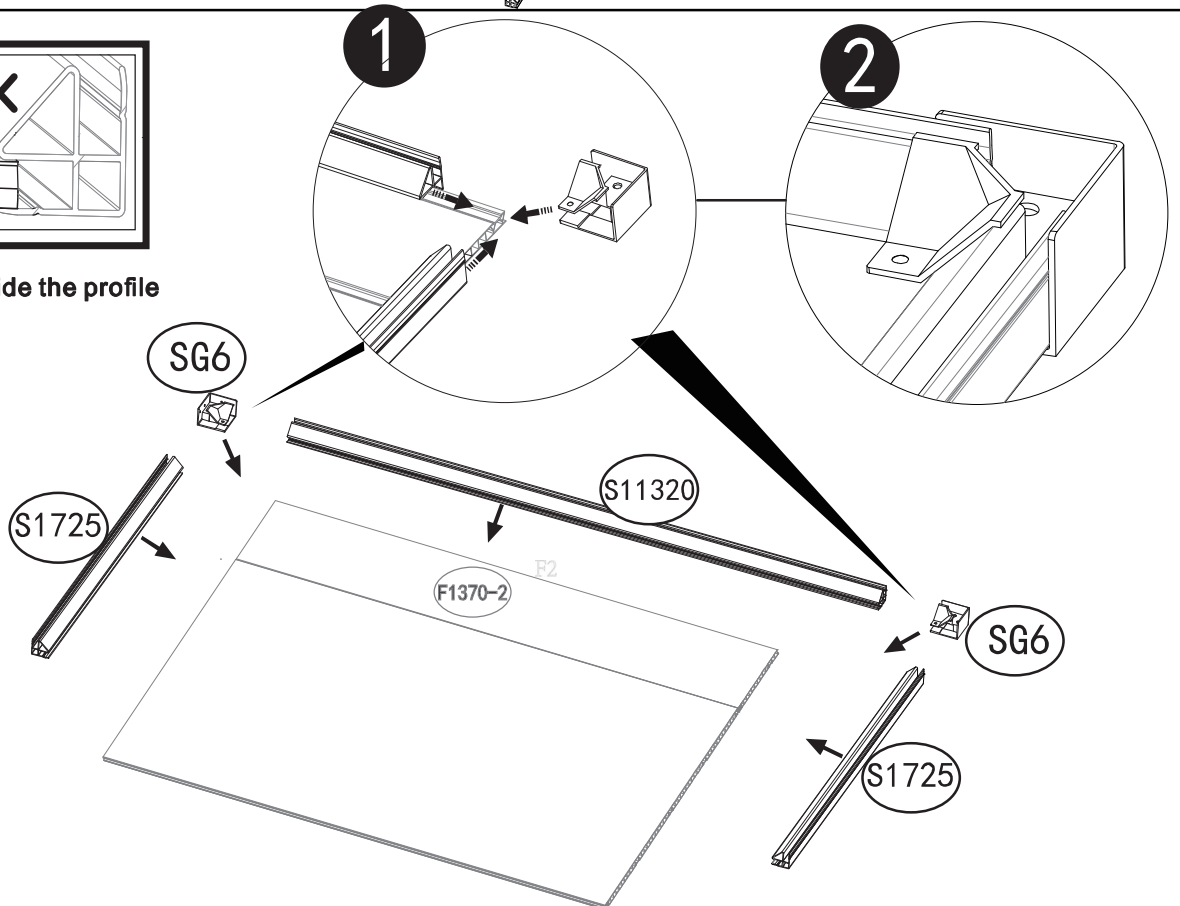
S1725
(x2)



S11320
(x1)



● Fully fit the panel inside the profile



3

SG6
(x1)



SG7-2
(x1)



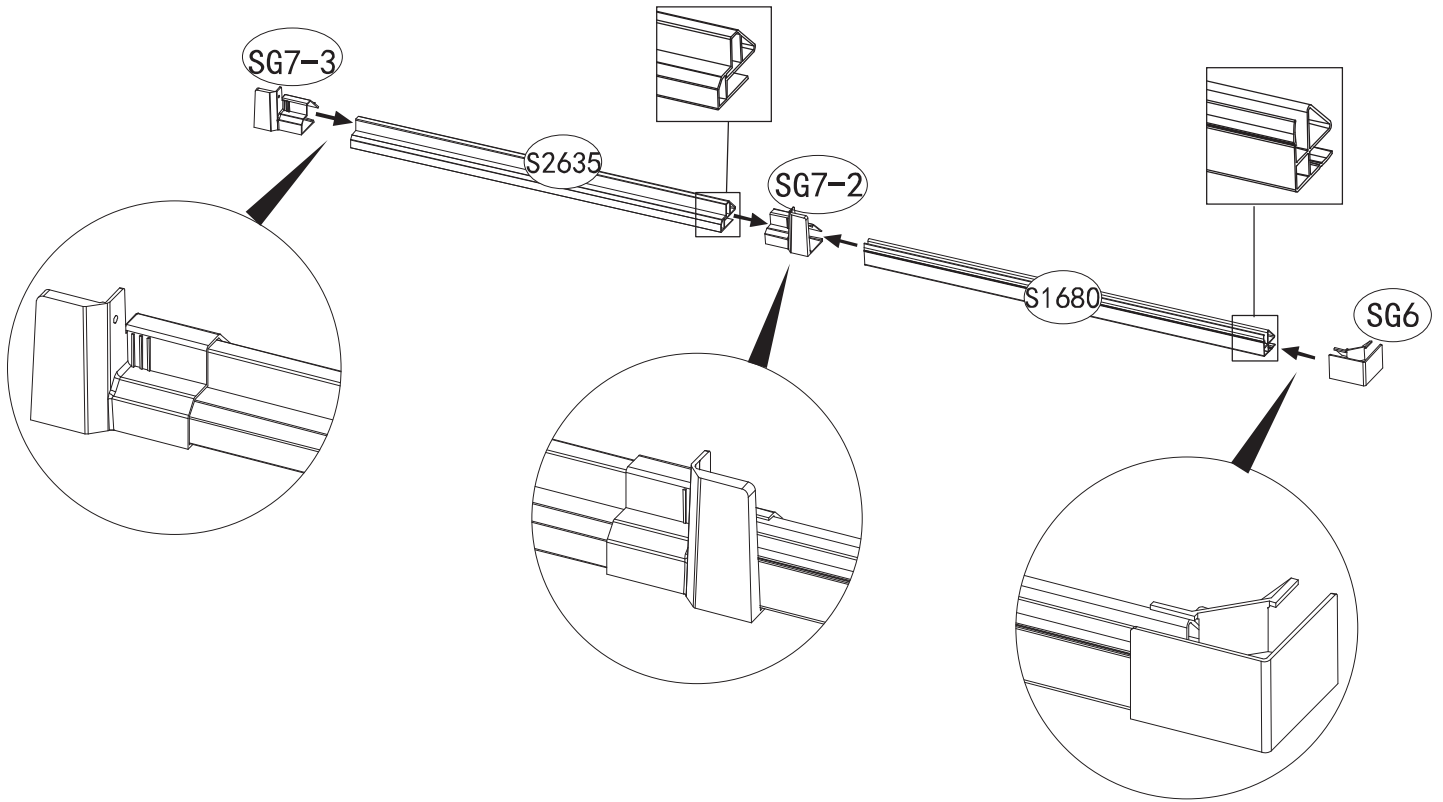
SG7-3
(x1)



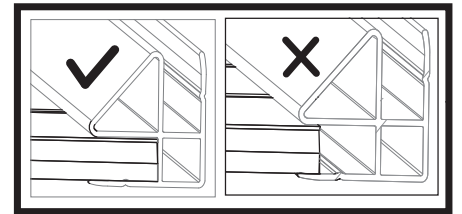
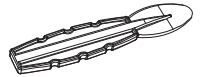
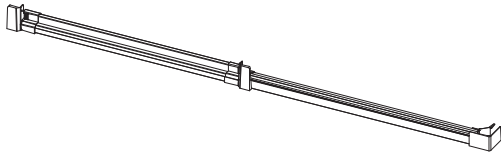
S1680
(x1)



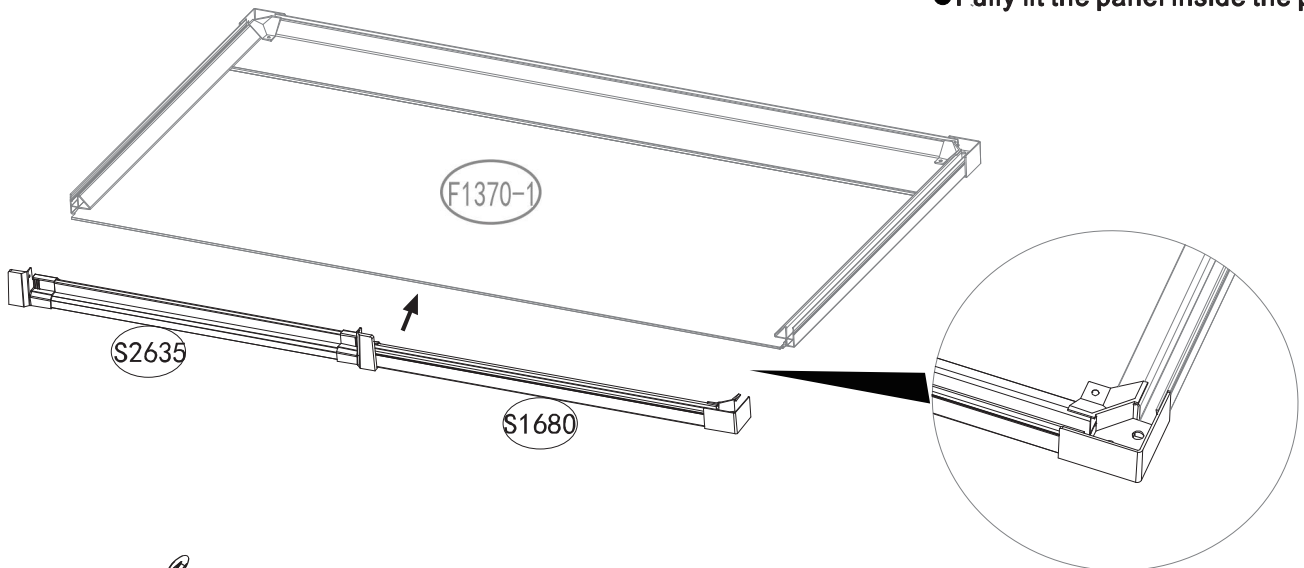
S2635
(x1)



4



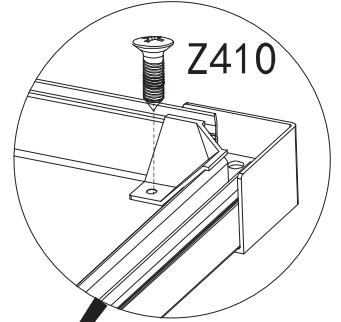
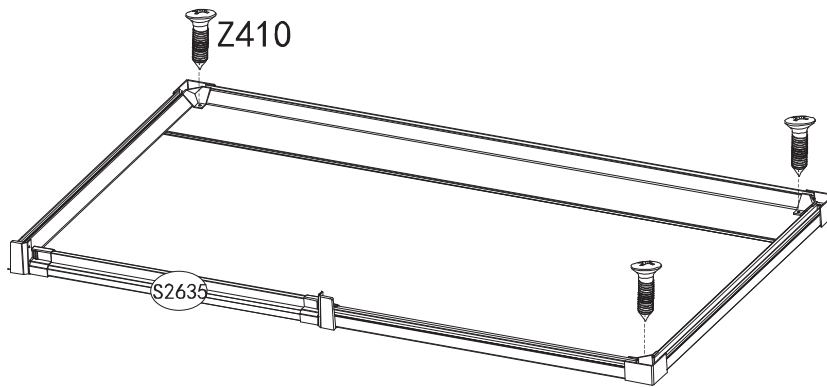
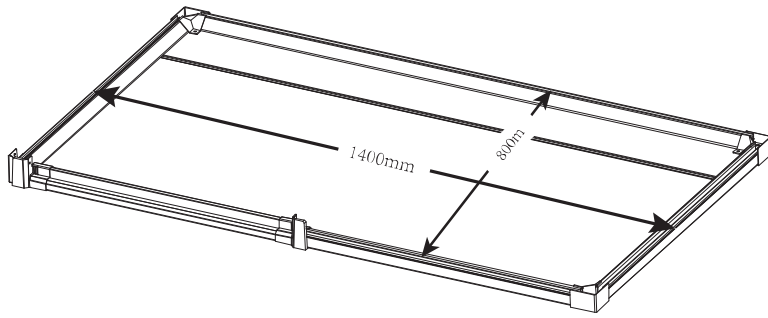
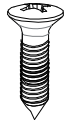
● Fully fit the panel inside the profile



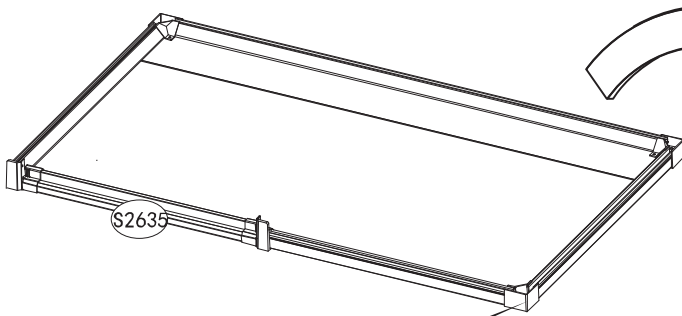
● Use spatula (part "SG8") for easier insertion of panel into profile

5

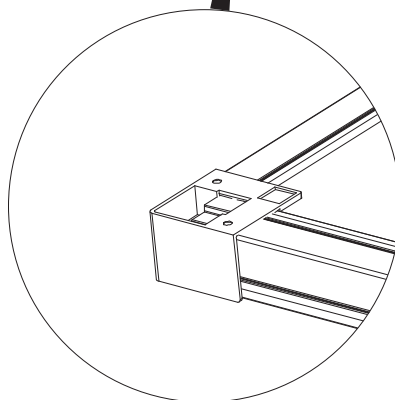
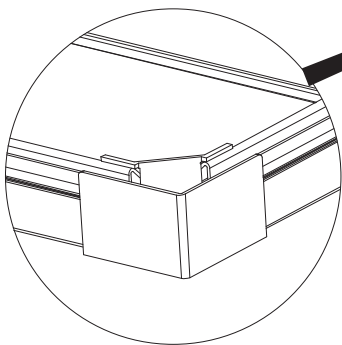
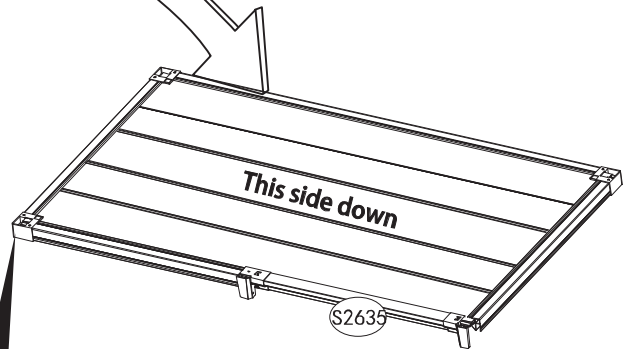
Z410
(x3)



6

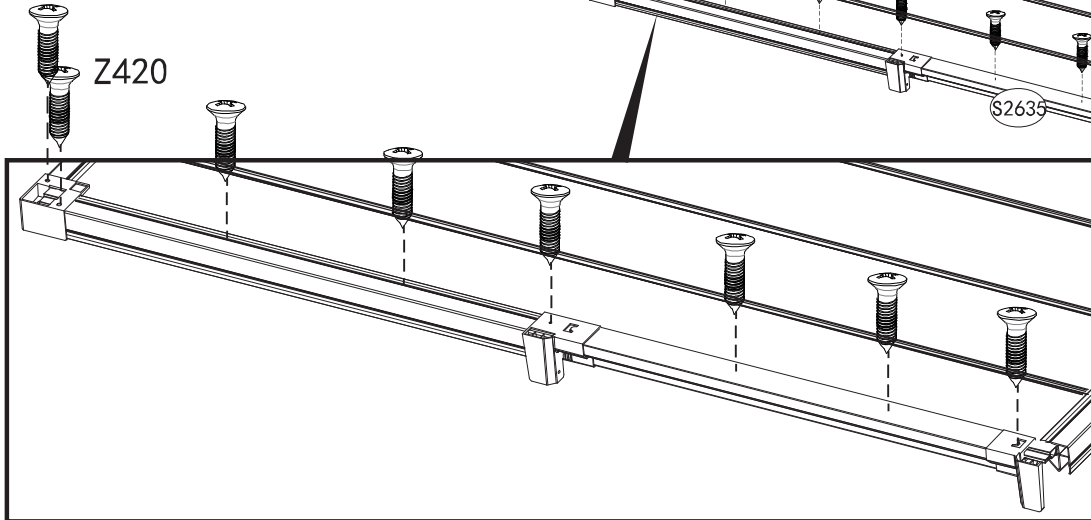
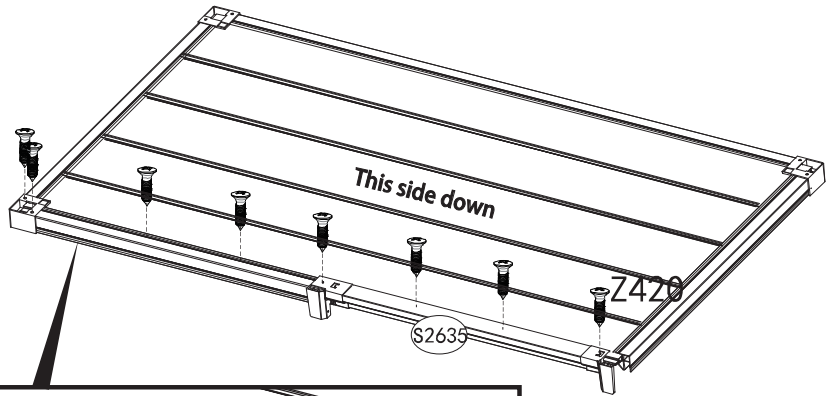
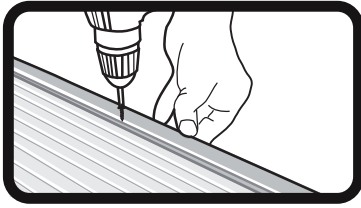
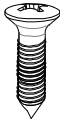


● Turn over the floor panel



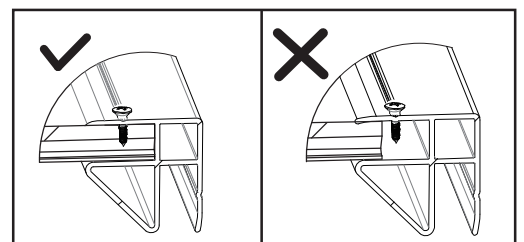
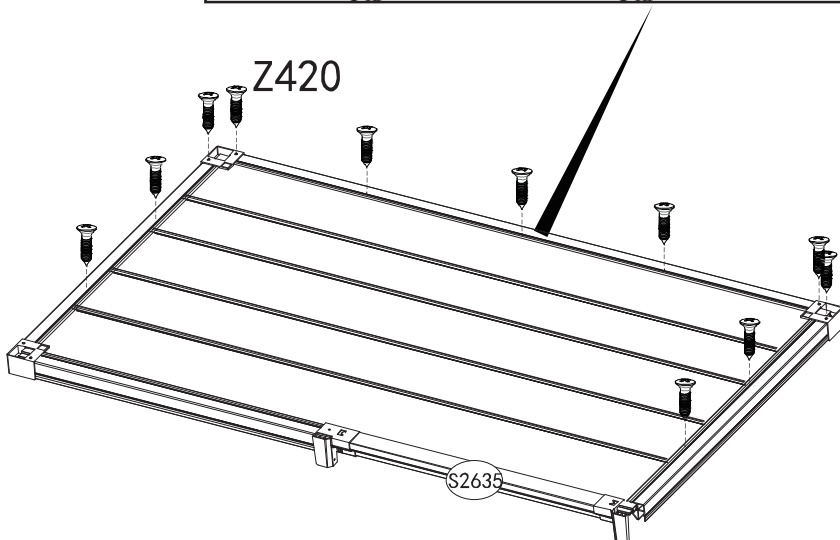
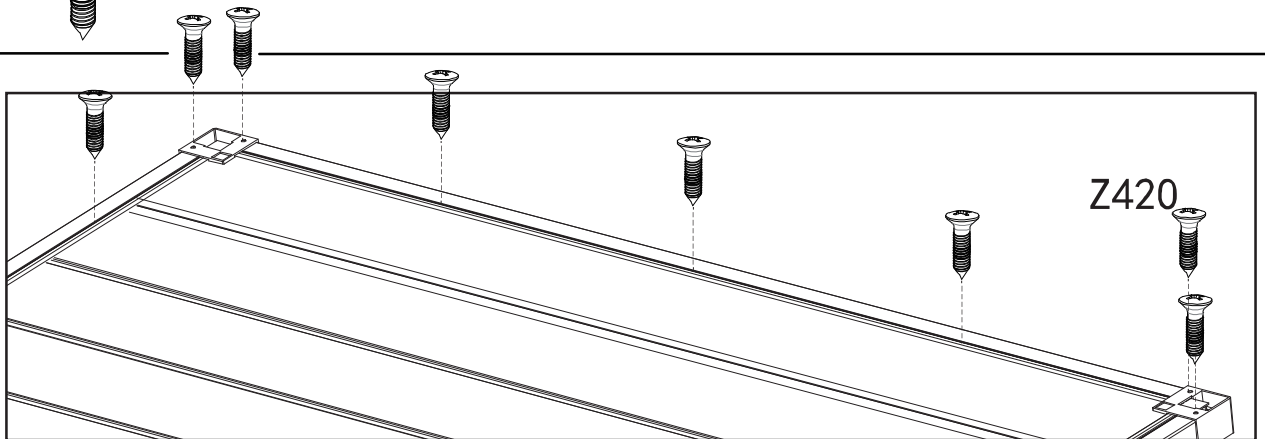
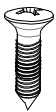
7

Z420
(x8)



8

Z420
(x11)



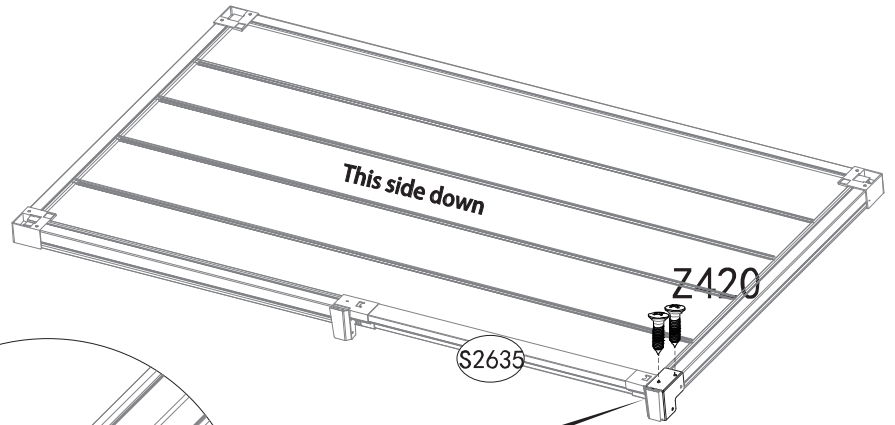
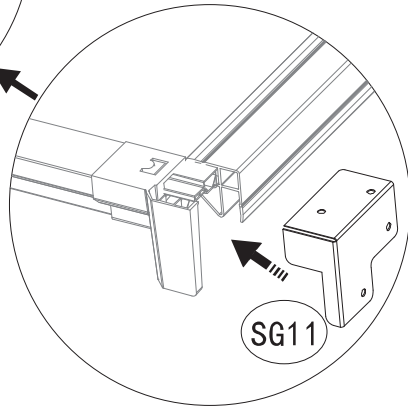
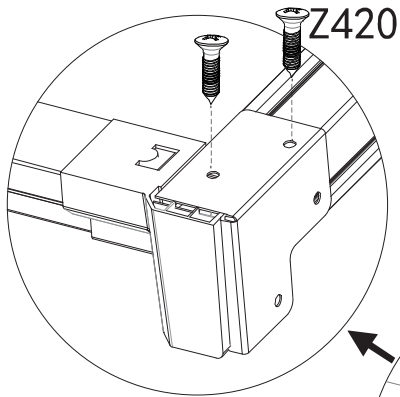
● Fully fit the panel inside the profile;
then screw on mark line

9

SG11
(x1)

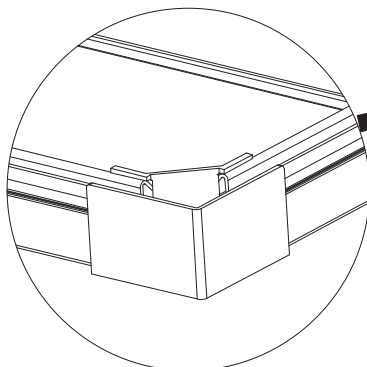
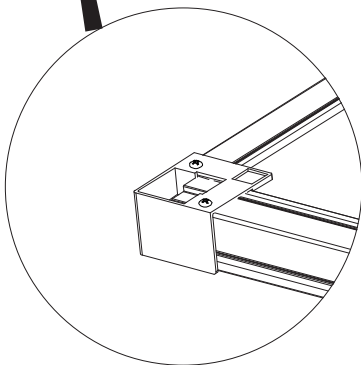
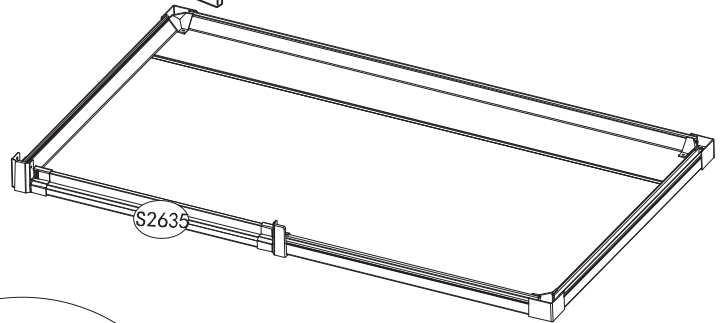
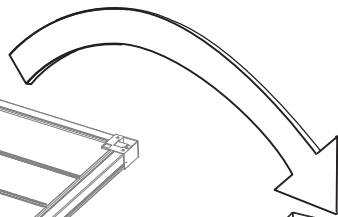
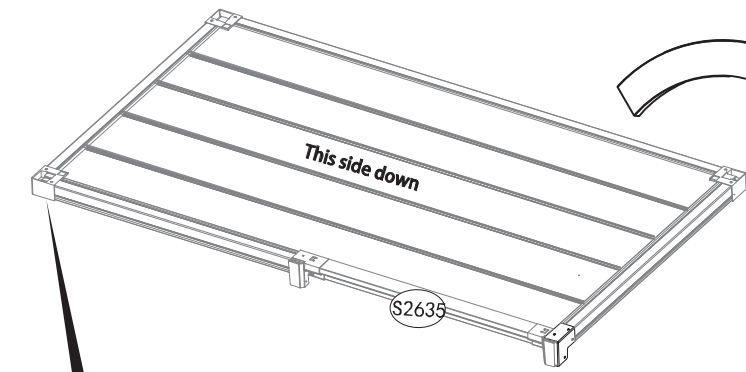


Z420
(x2)

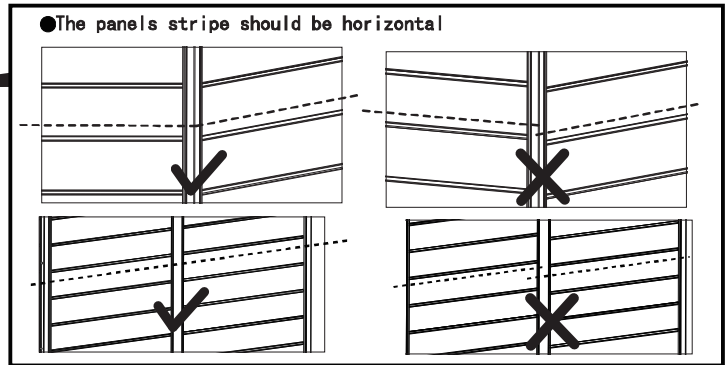
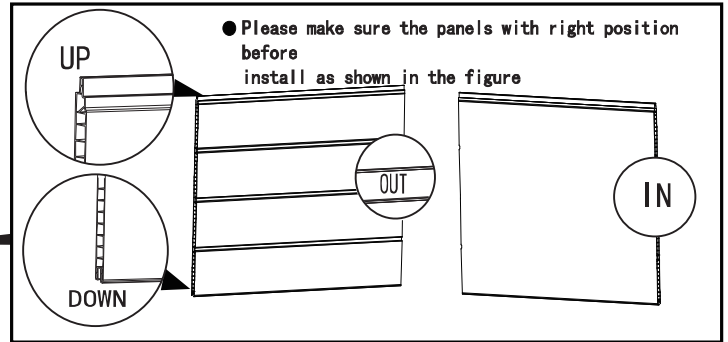
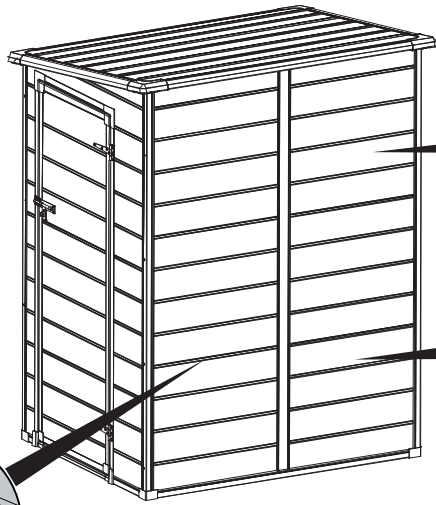


10

● Turn over the floor panel



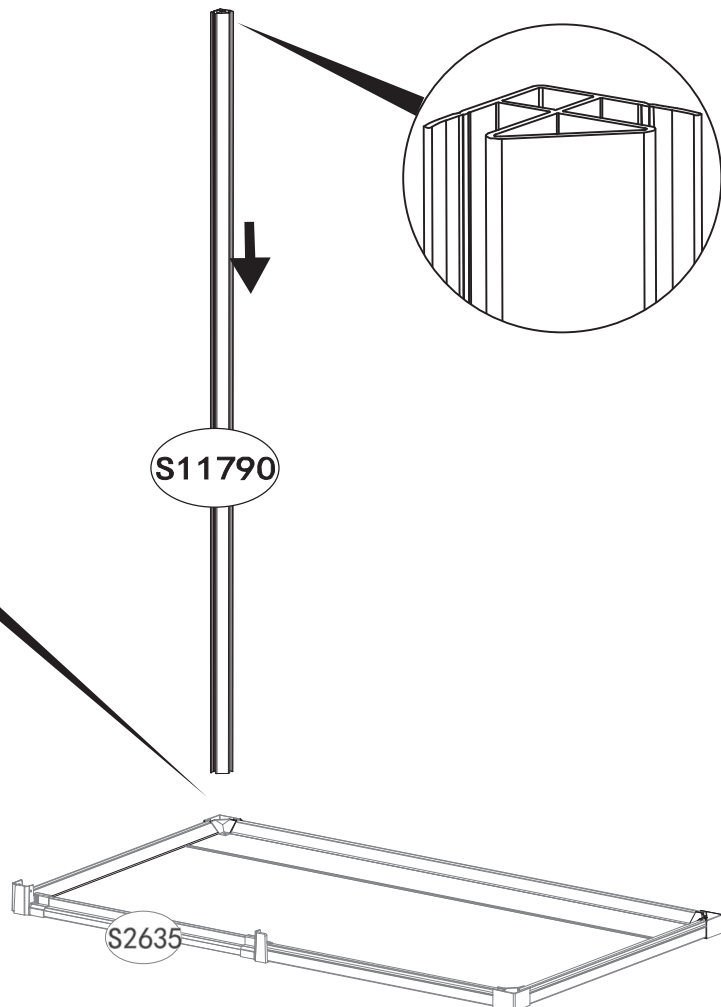
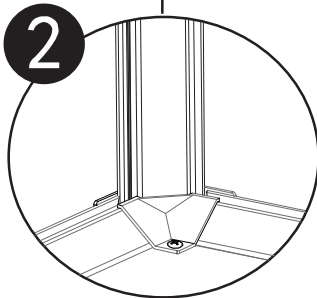
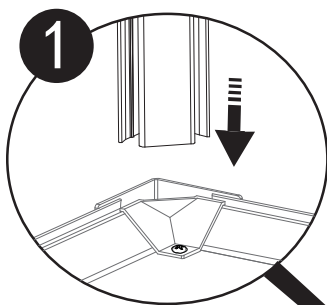
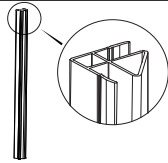
Wall Assembly



● Use spatula (part "SG8") for easier insertion of panel into profile

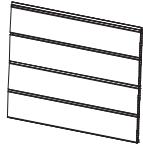
11

S11790
(x1)

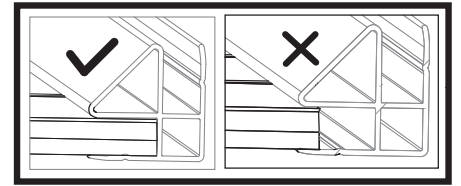
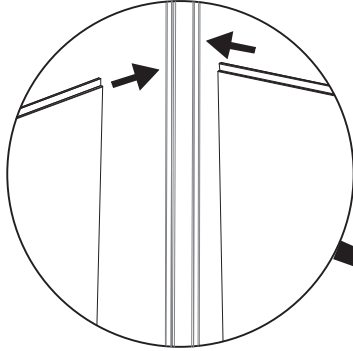


12

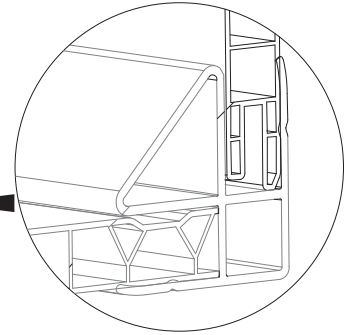
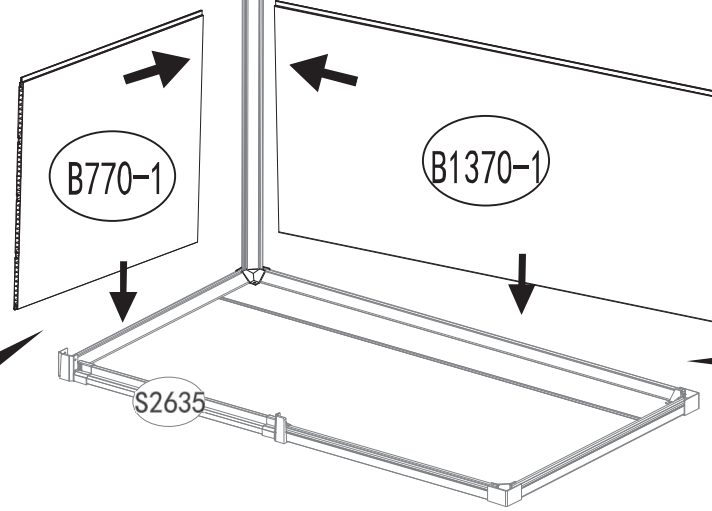
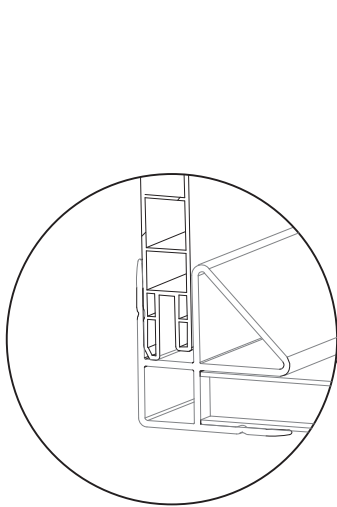
B770-1
(x1)



B1370-1
(x1)

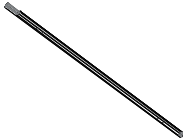


● Fully fit the panel inside the profile

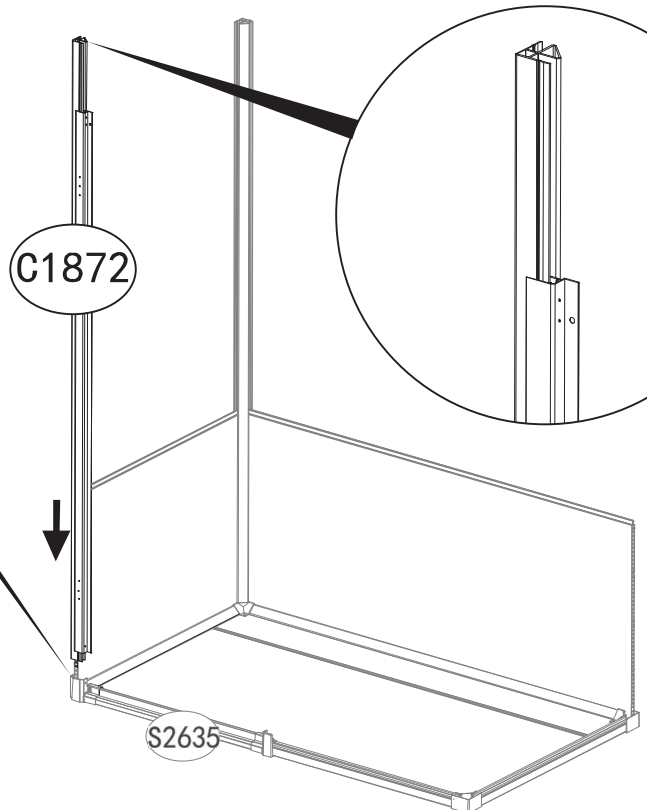
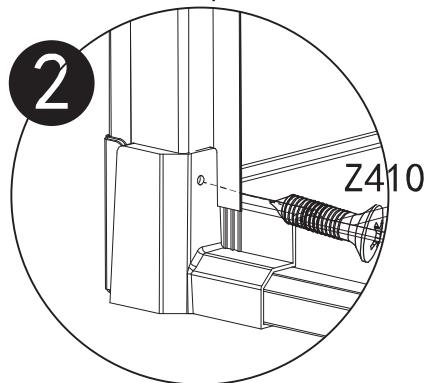
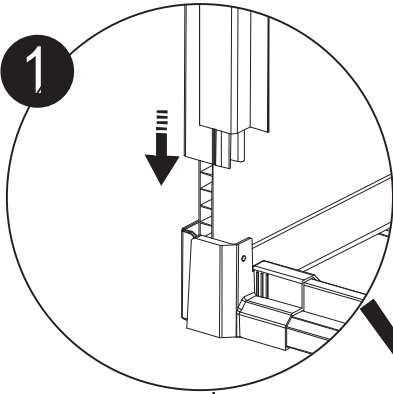
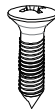


13

C1872
(x1)



Z410
(x1)

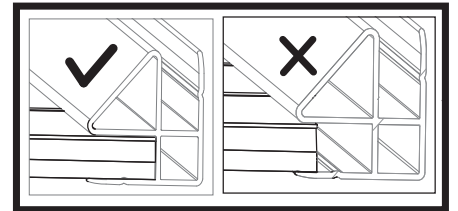
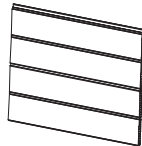


14

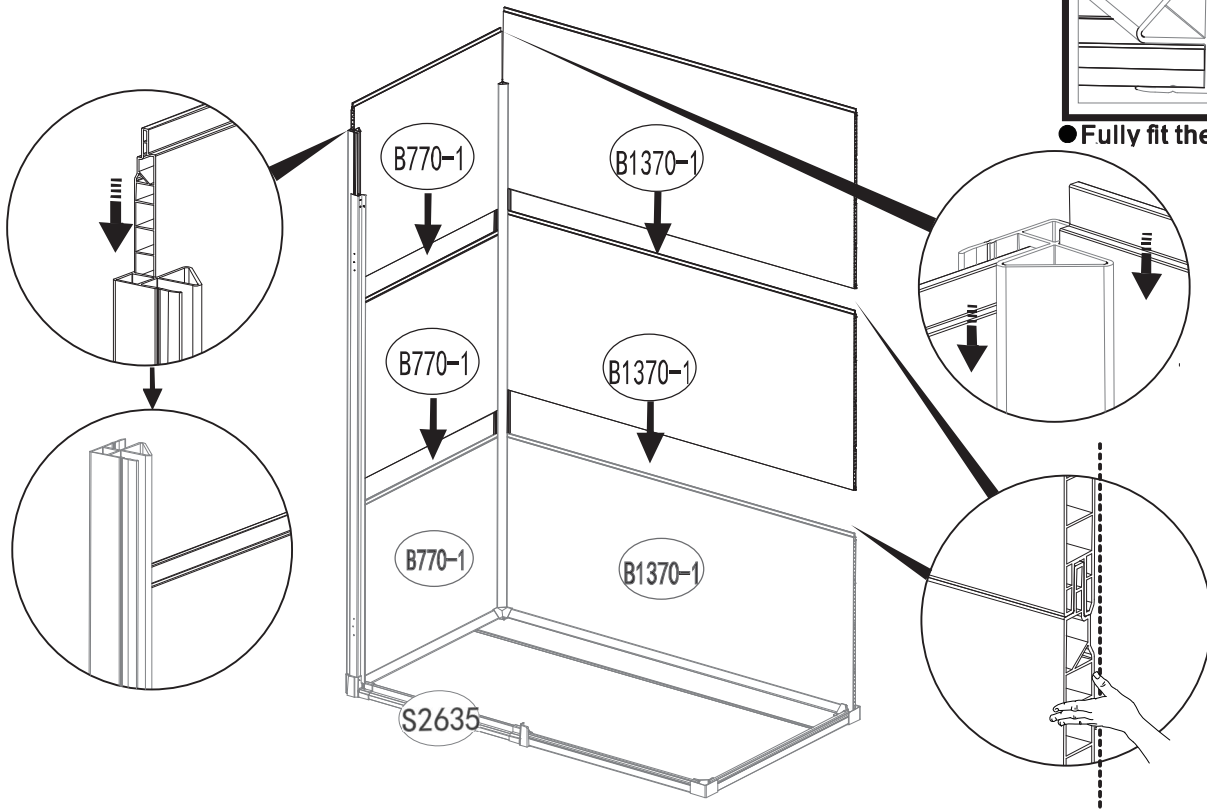
B770-1
(x2)



B1370-1
(x2)

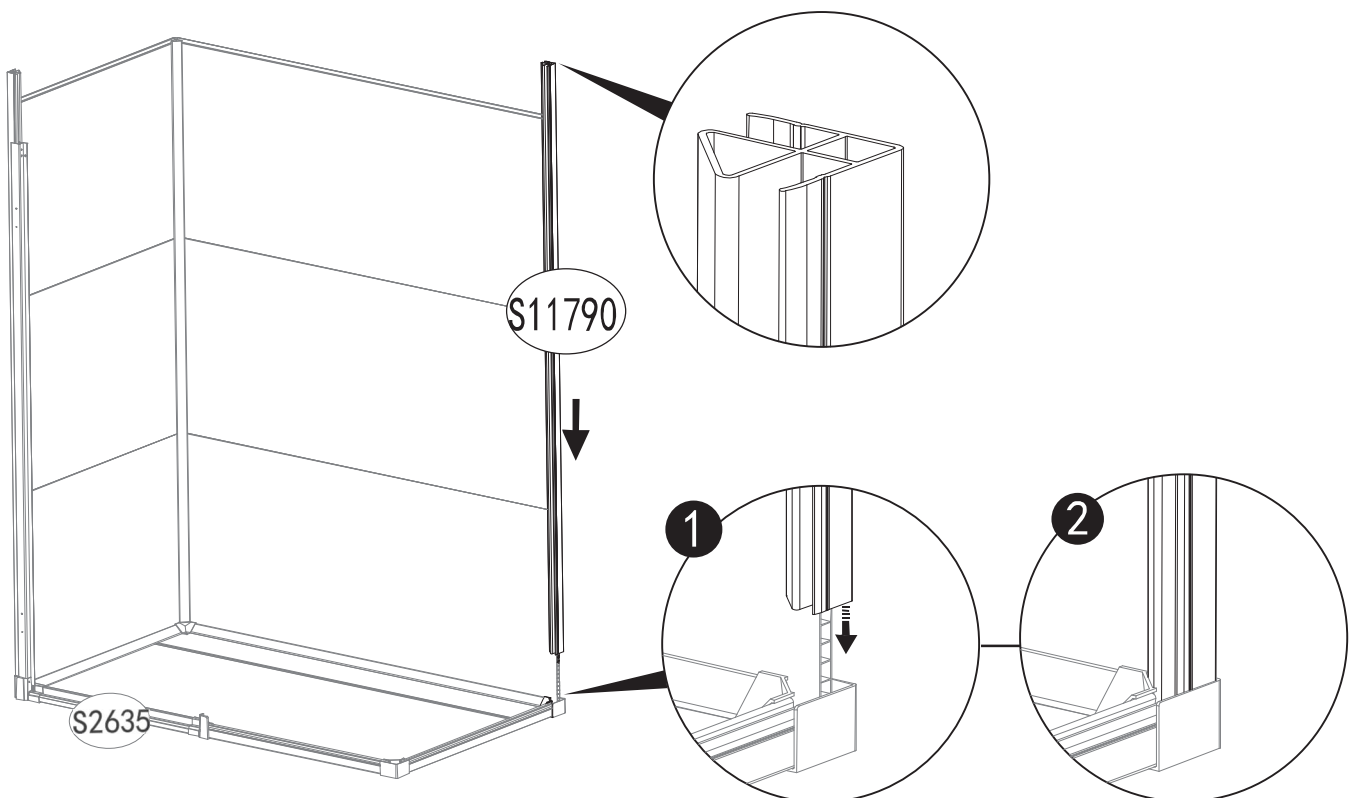
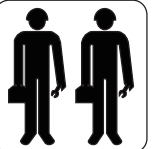
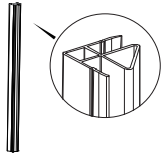


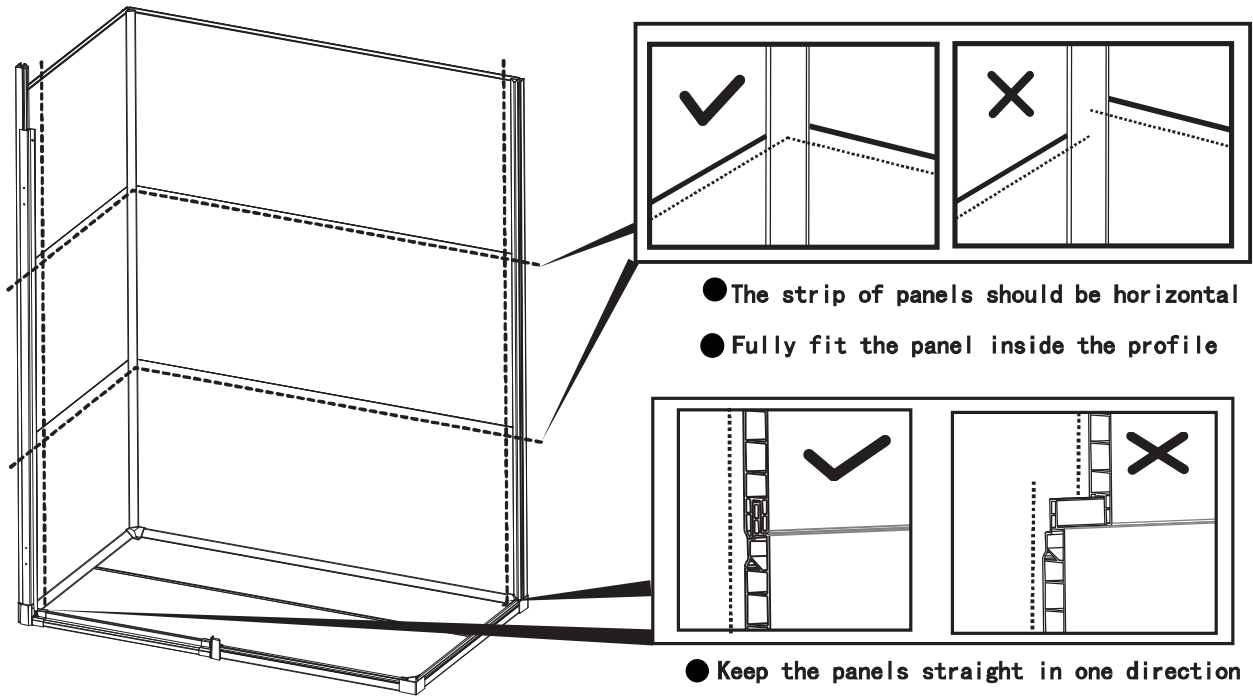
● Fully fit the panel inside the profile



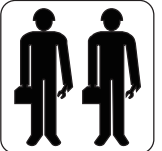
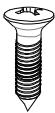
15

S11790
(x1)

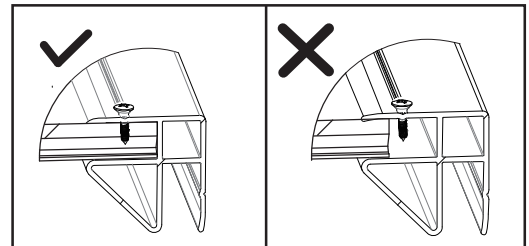




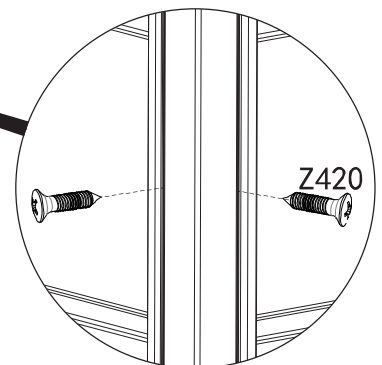
Z420
(x12)



Z420

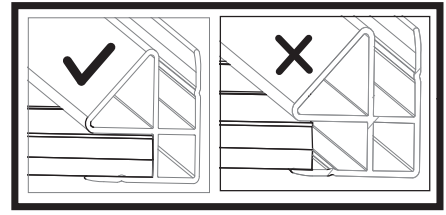
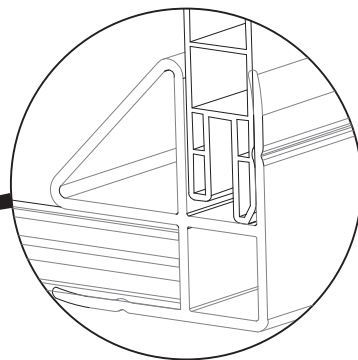
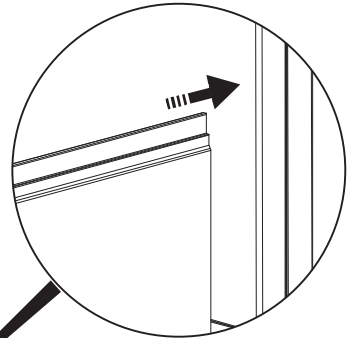
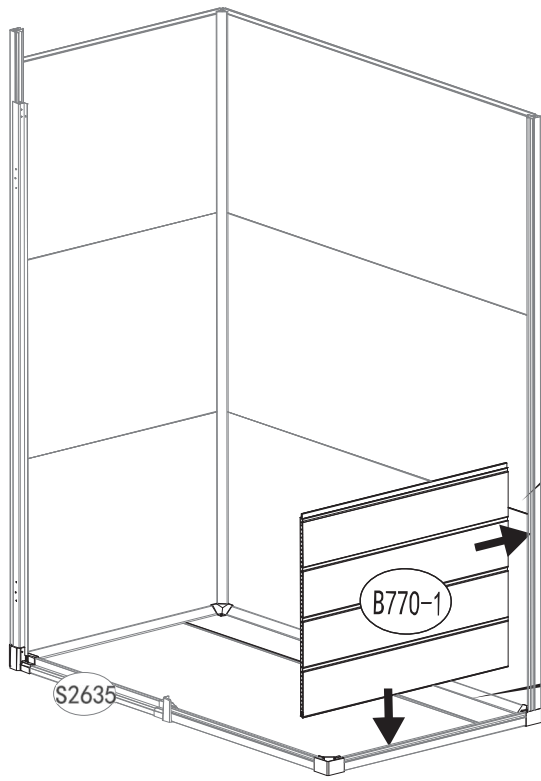
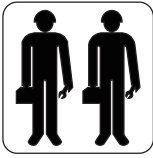


● Fully fit the panel inside the profile;
then screw on mark line



18

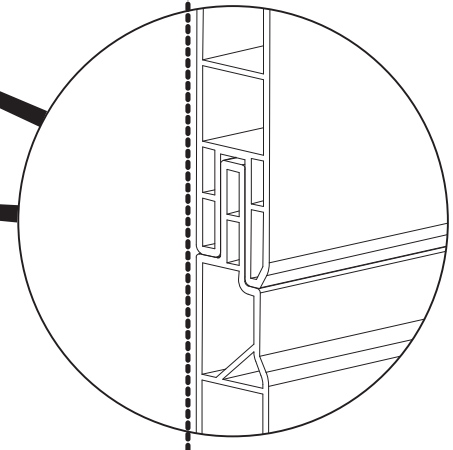
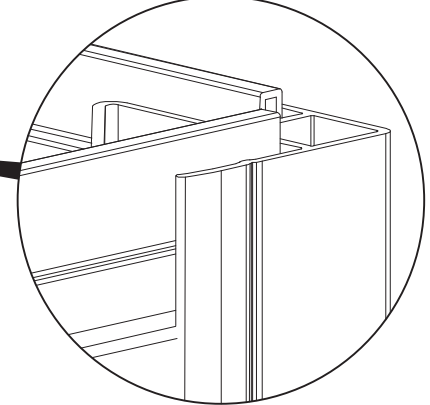
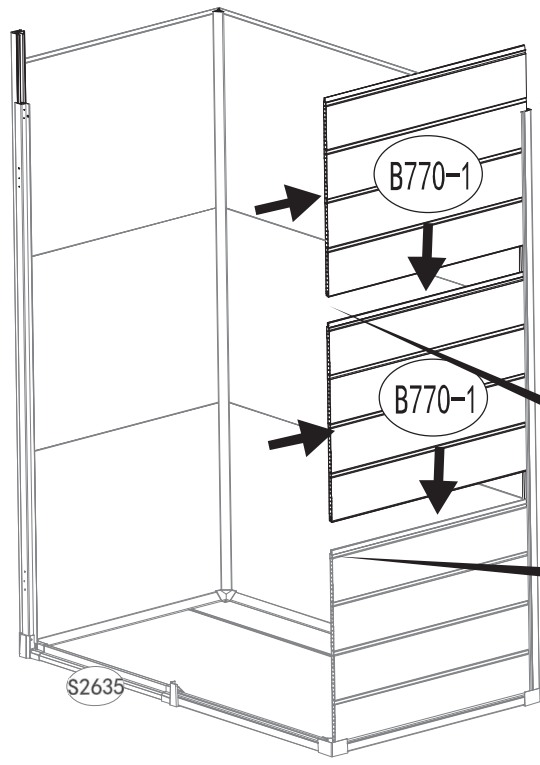
B770-1
(x1)



● Fully fit the panel inside the profile

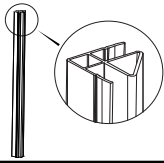
19

B770-1
(x2)



20

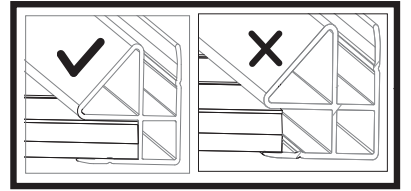
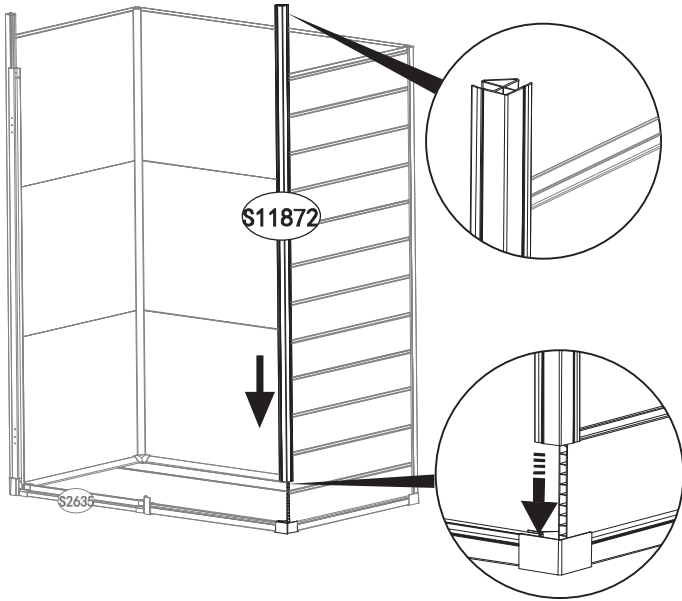
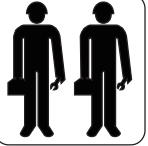
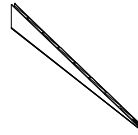
S11872
(x1)



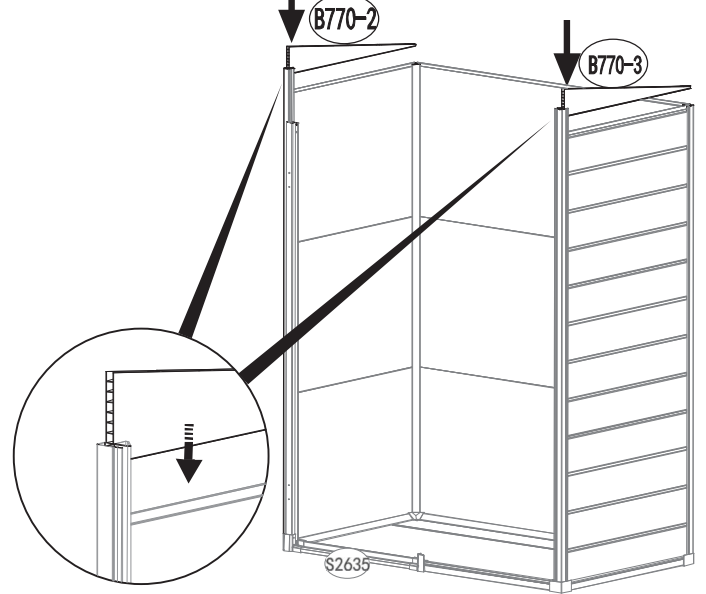
B770-3
(x1)



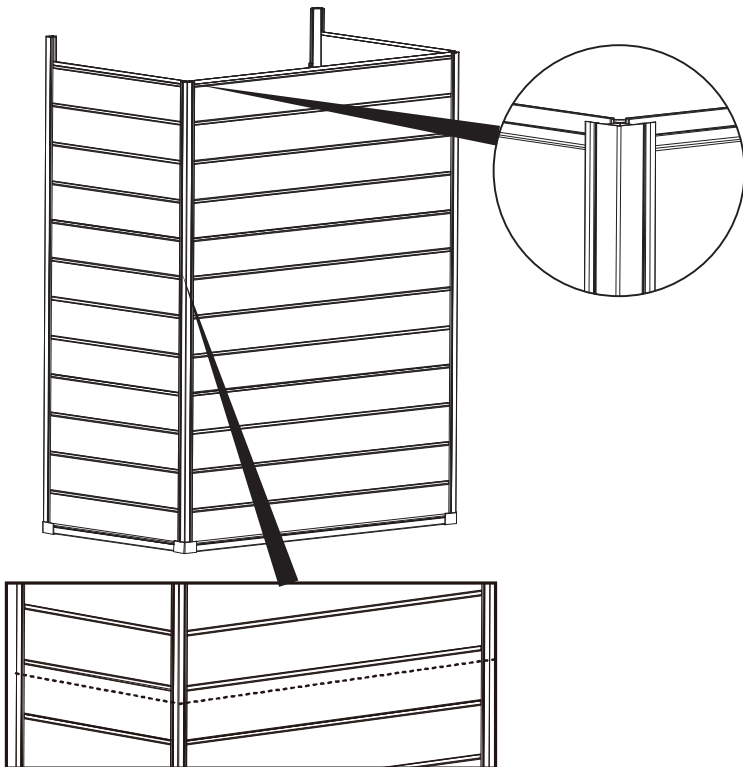
B770-2
(x1)



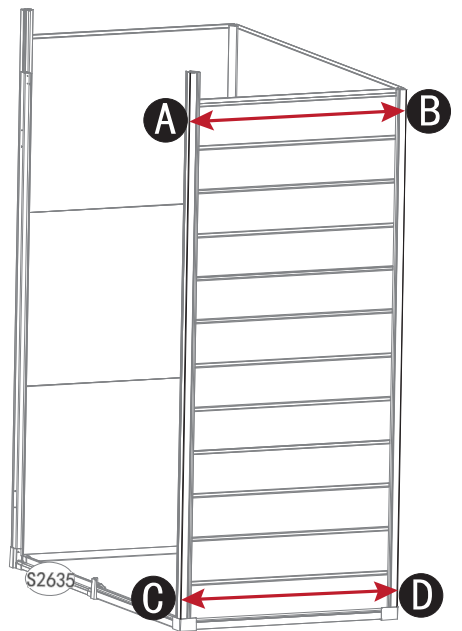
● Fully fit the panel inside the profile



21



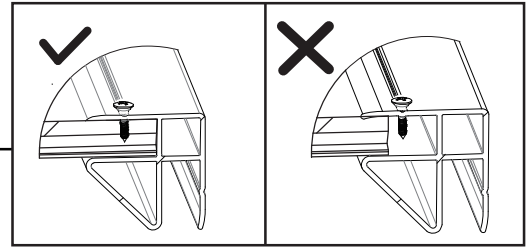
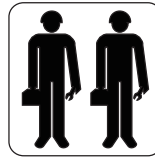
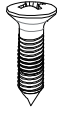
● Make sure $AB=CD$



● The panels stripe should be horizontal

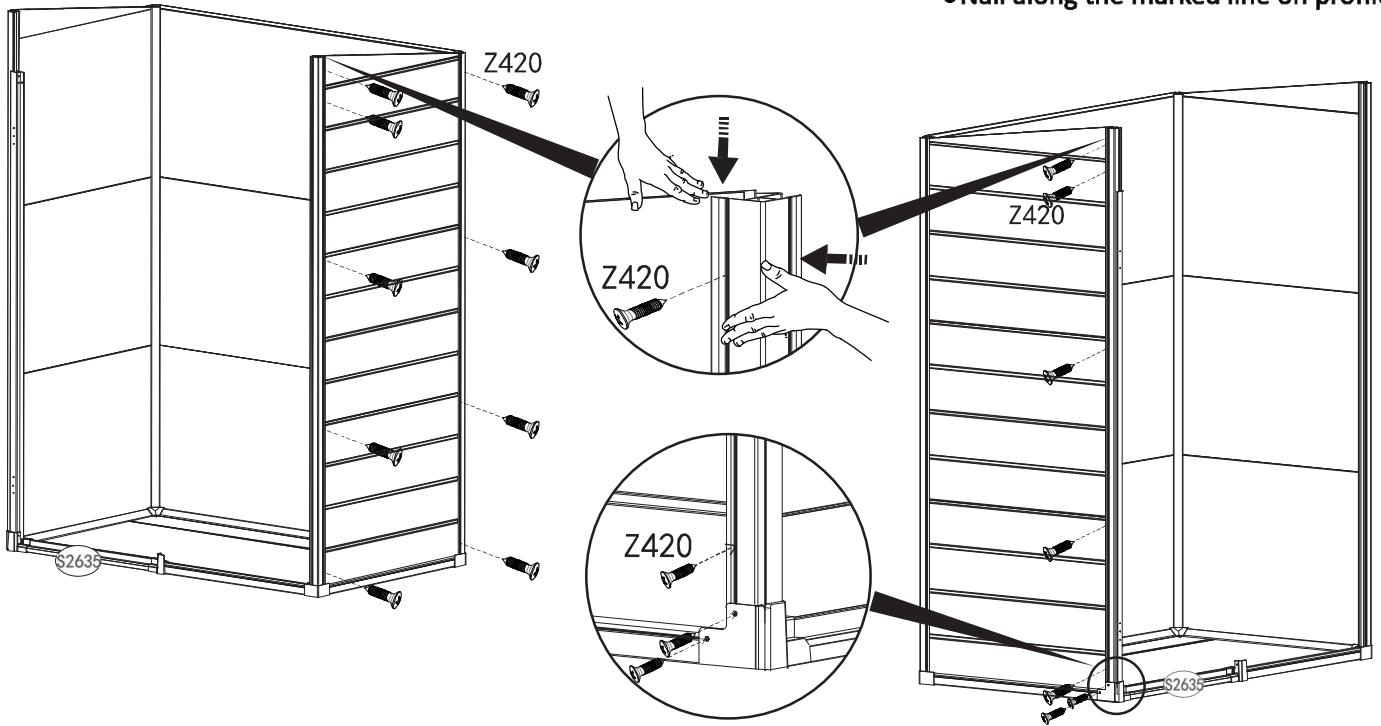
22

Z420
(x16)



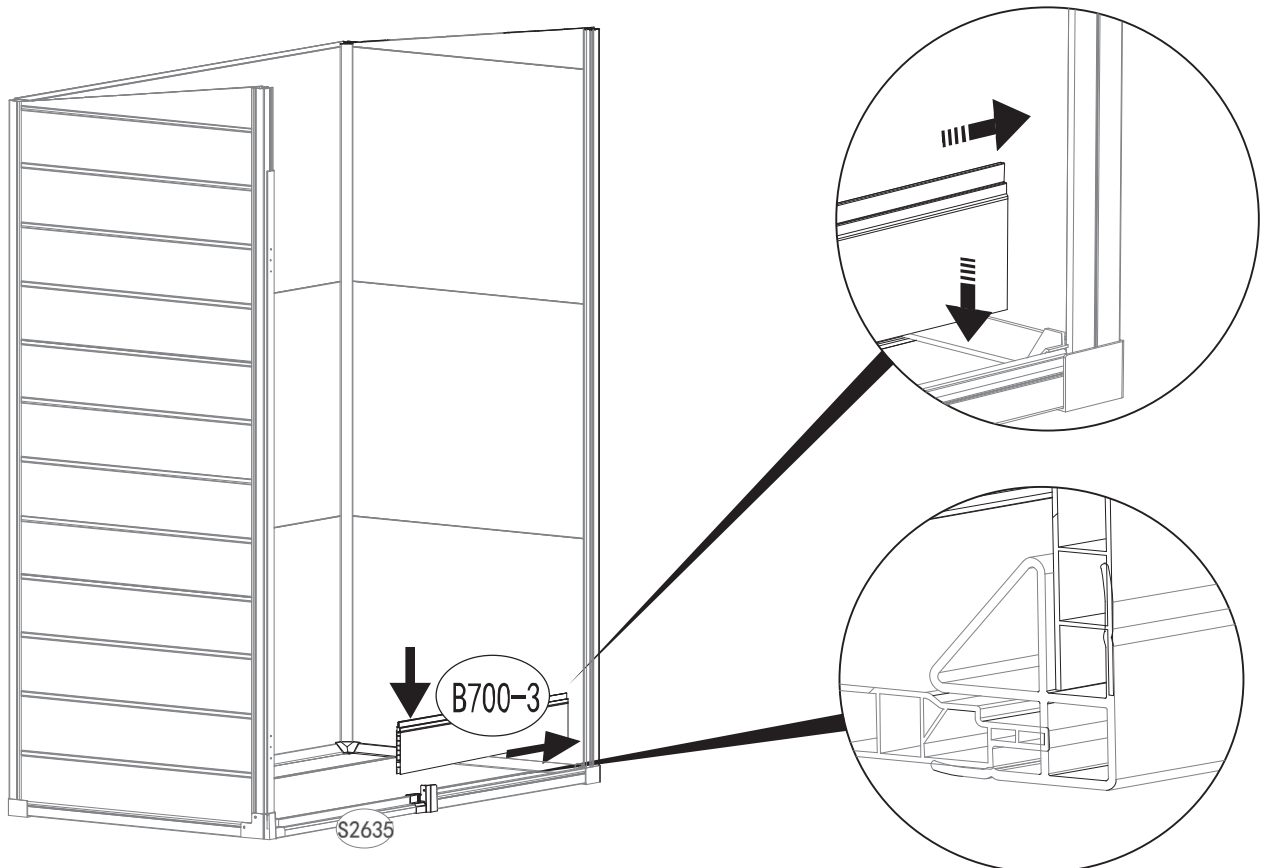
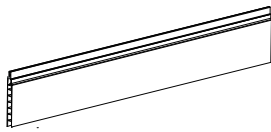
●Fully fit the panel inside the profile

●Nail along the marked line on profile.



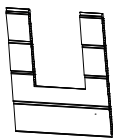
23

B700-3
(x1)

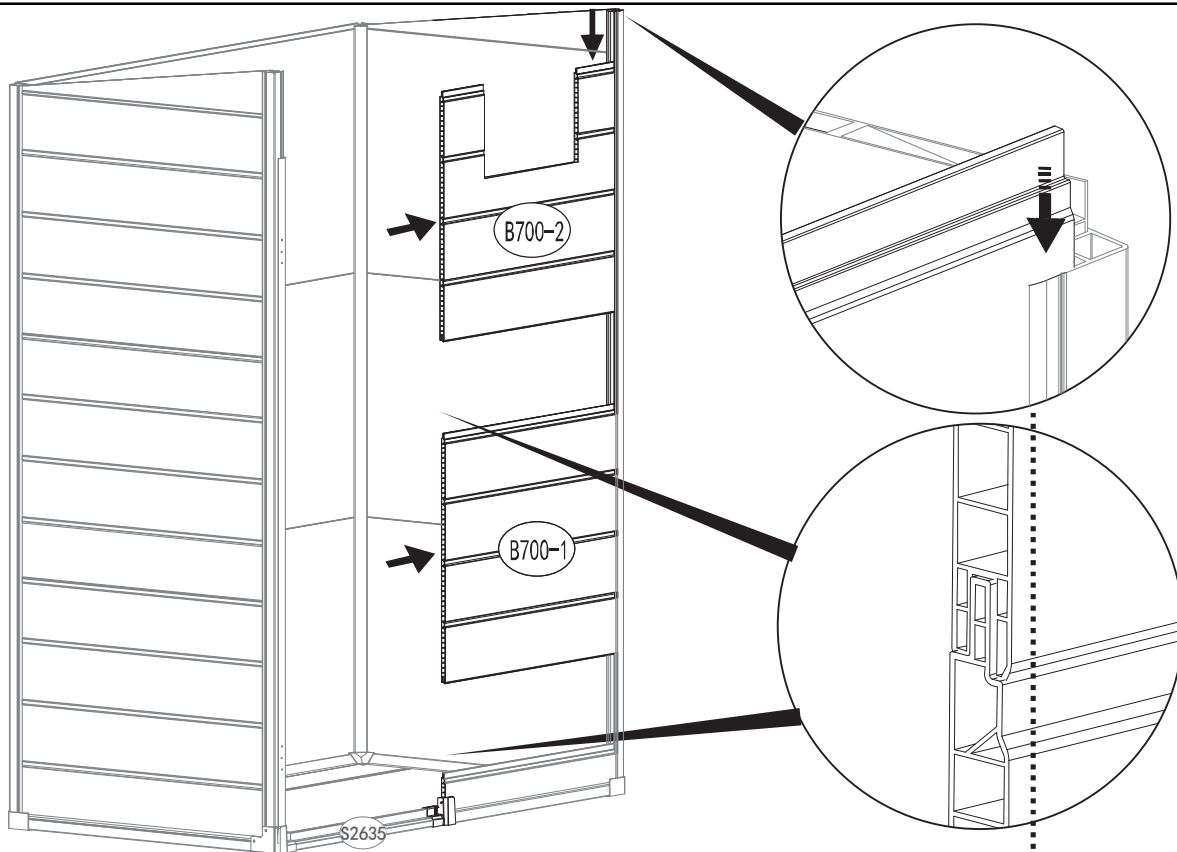


24

B700-2
(x1)



B700-1
(x1)

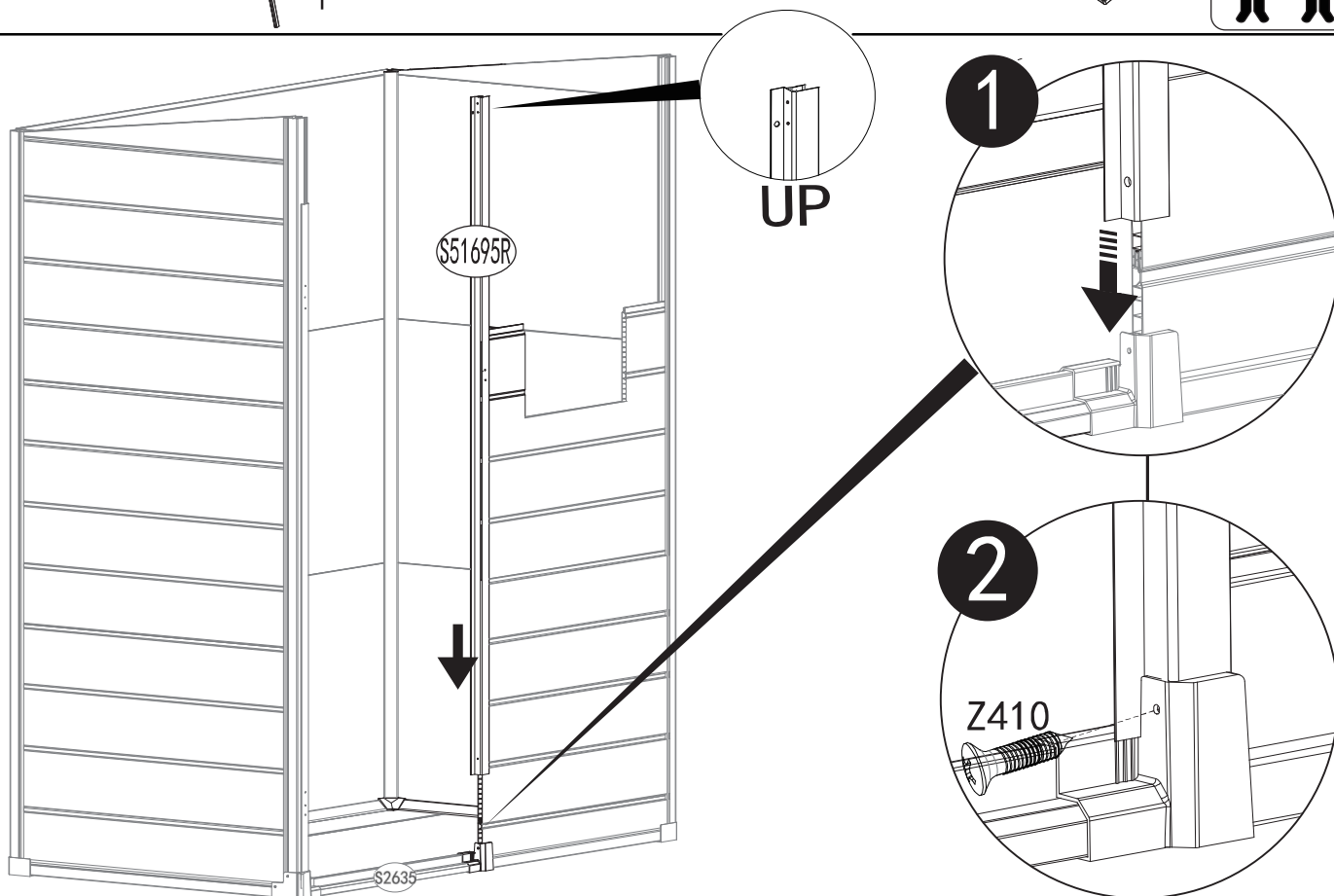


25

S51695R
(x1)

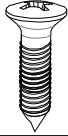


Z410
(x1)

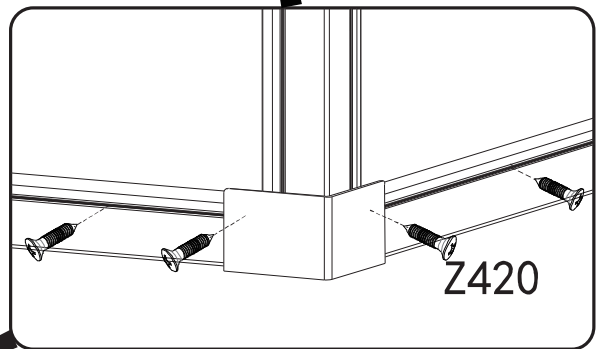
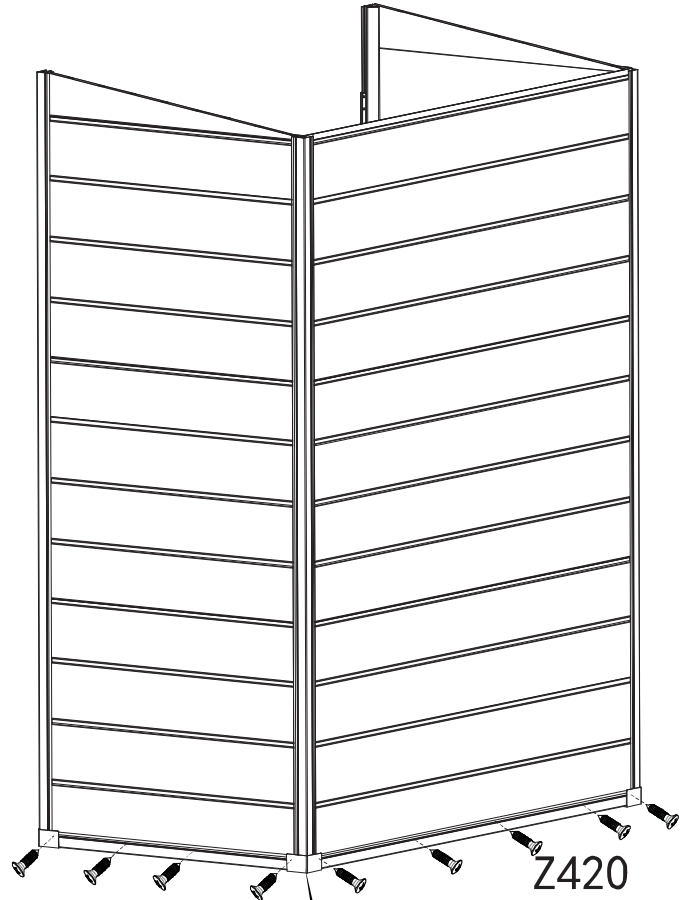
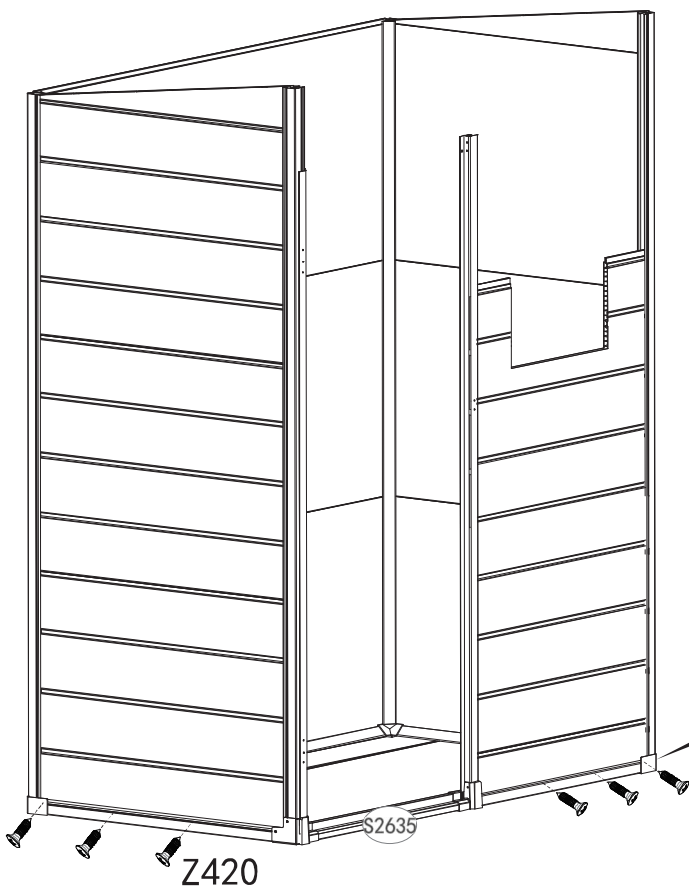


26

Z420
(x15)

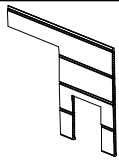


● Fully fit the panel inside the profile

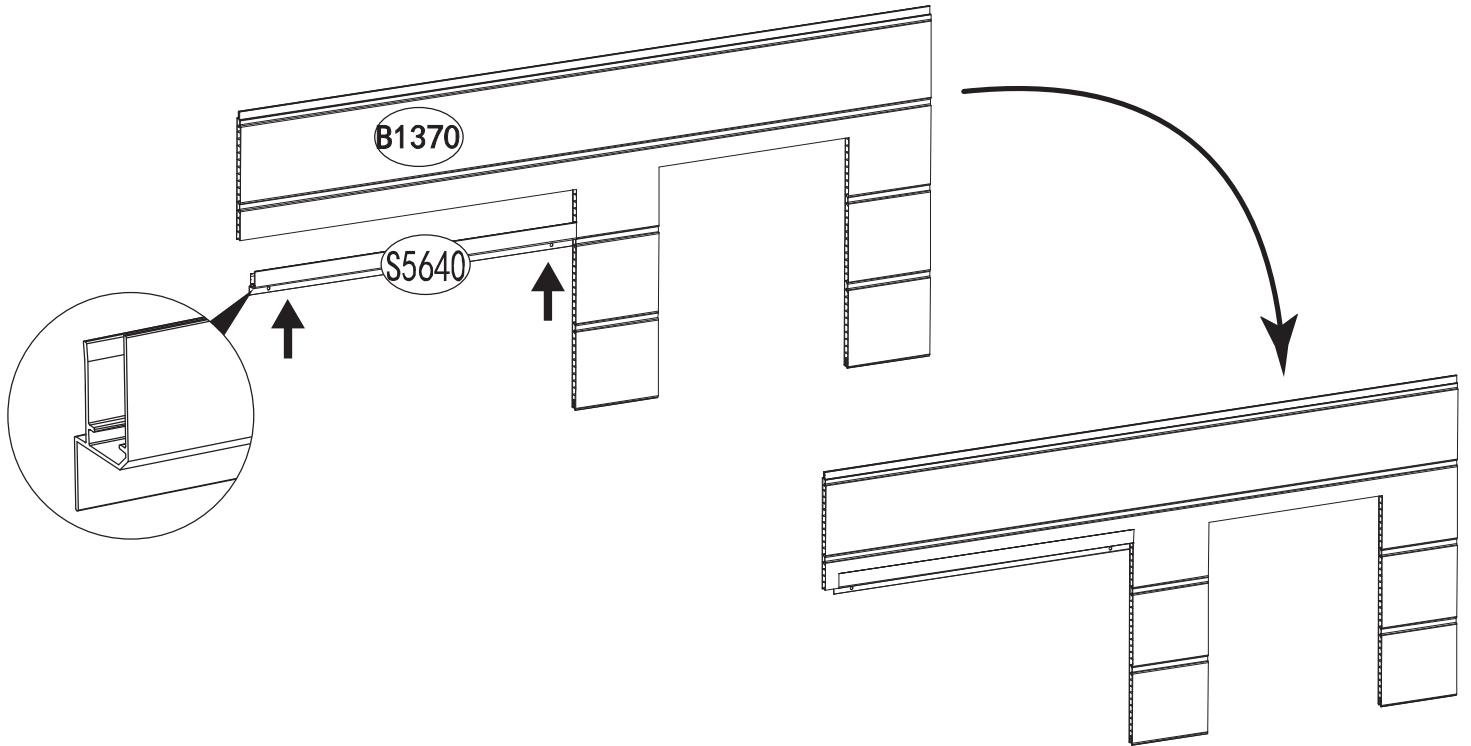
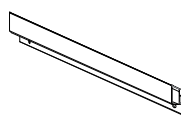


27

B1370
(x1)

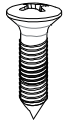


S5640
(x1)

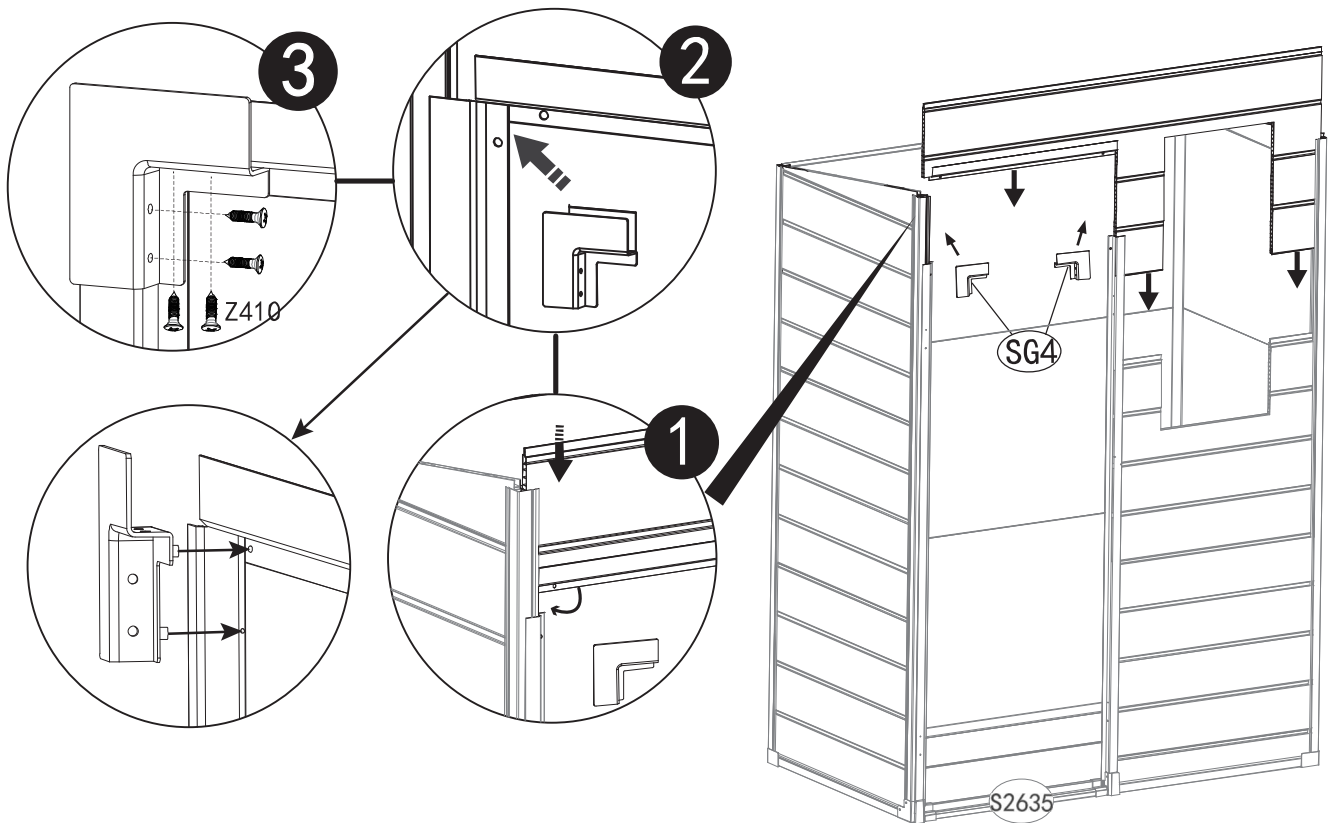
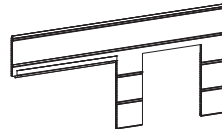
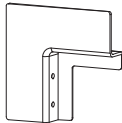


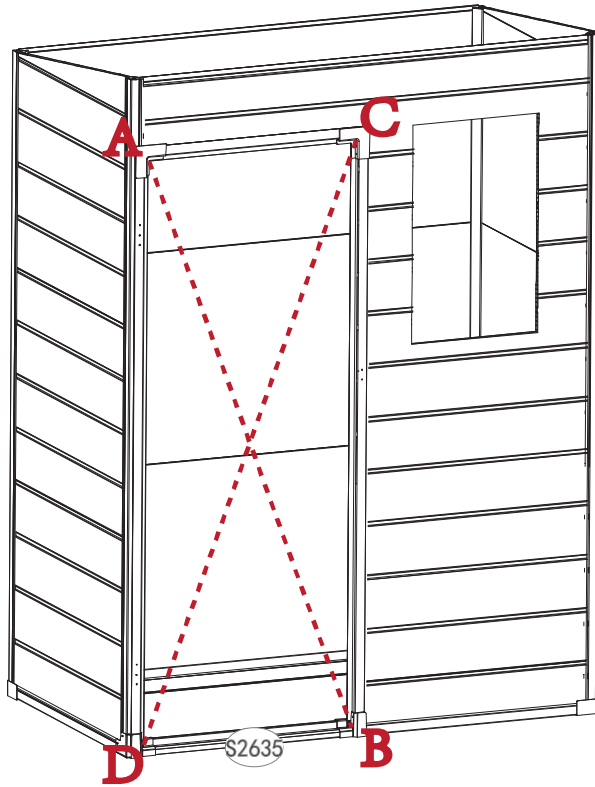
28

Z410
(x8)



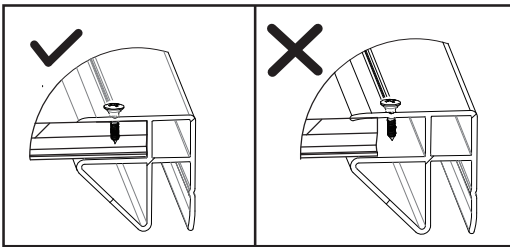
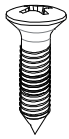
SG4
(x2)



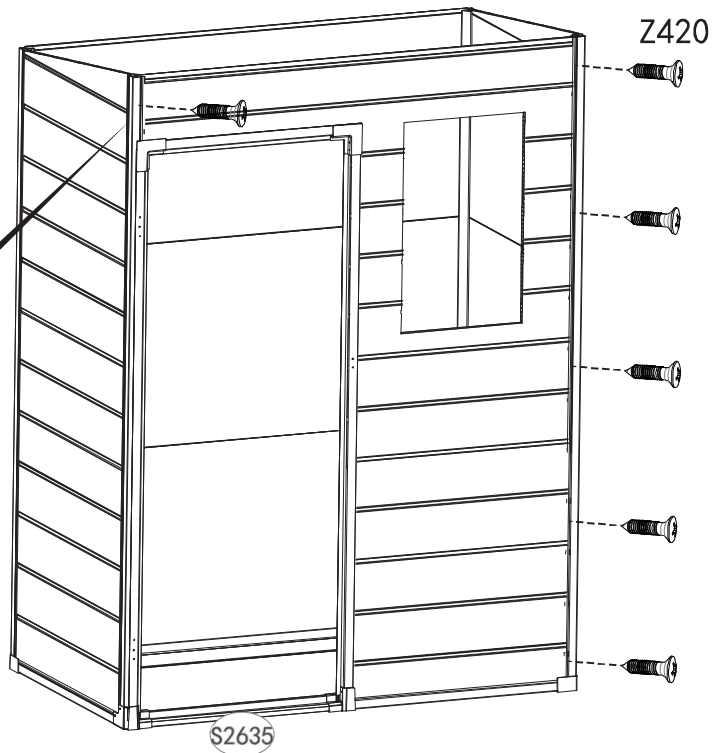
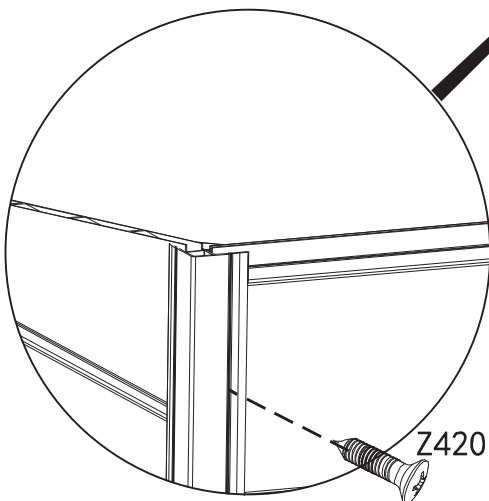


● Make sure $AB=CD$

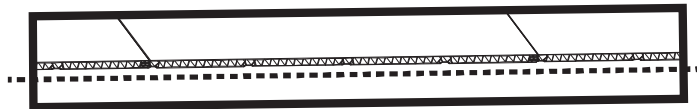
Z420
(x6)



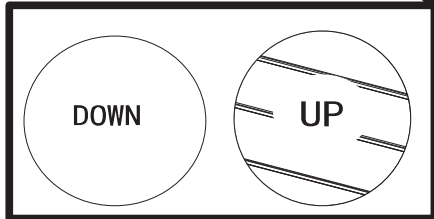
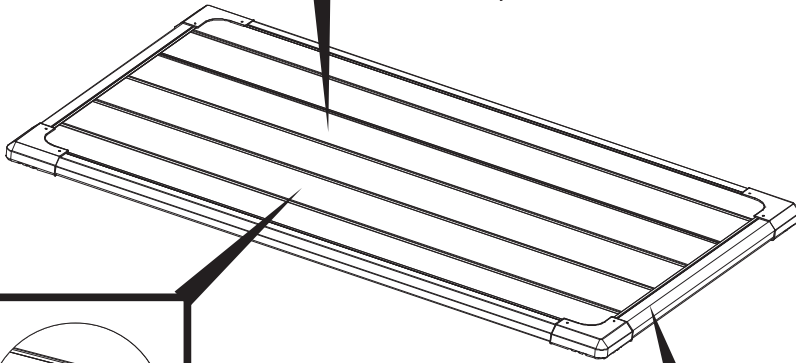
● Nail along the marked line on profile.



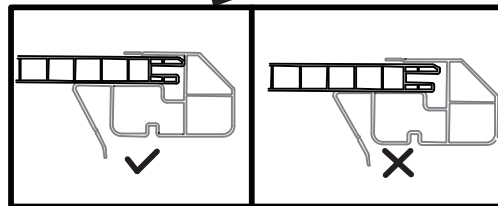
Roof Assembly



● The panels must be straight



● The stripes should be upwards



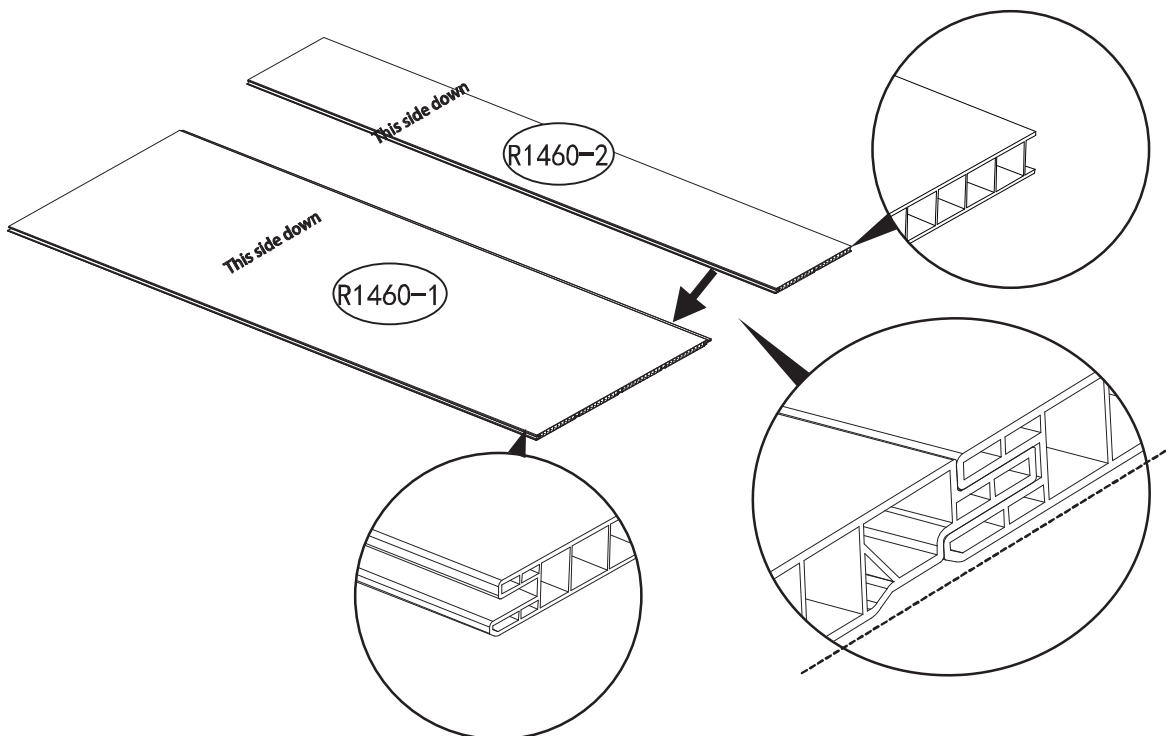
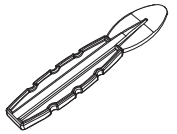
● Fully fit the panel inside the profile

31

R1460-1
(x1)



R1460-2
(x1)

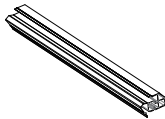


32

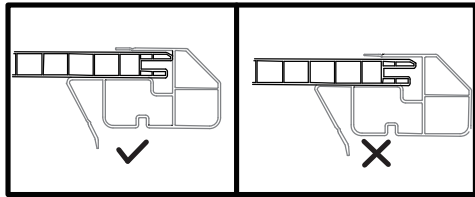
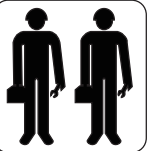
S3705
(x2)



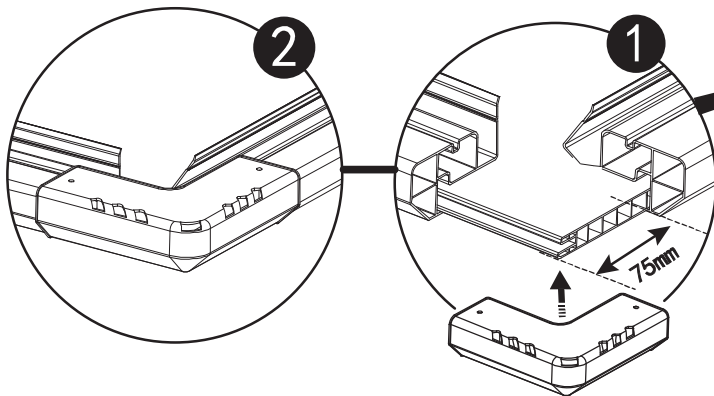
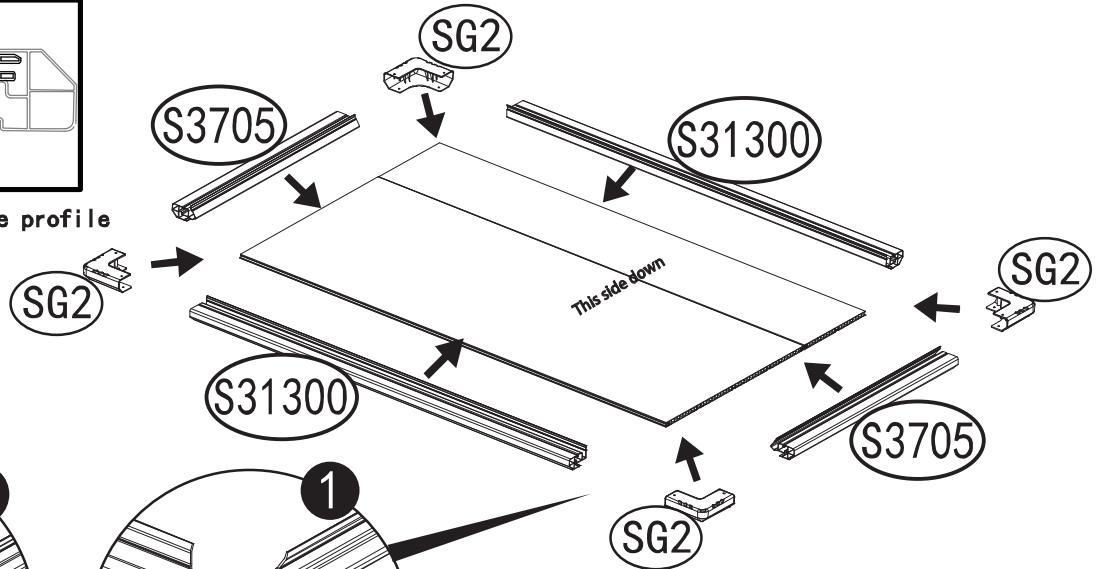
S31300
(x2)



SG2
(x4)



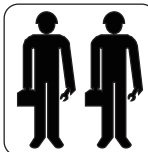
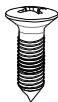
● Fully fit the panel inside the profile



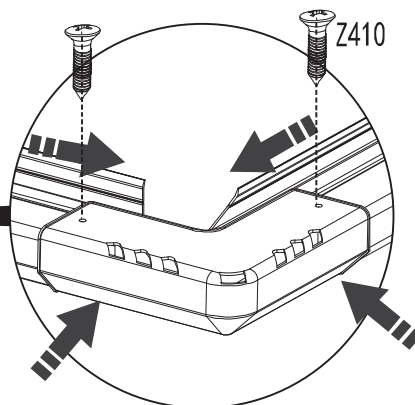
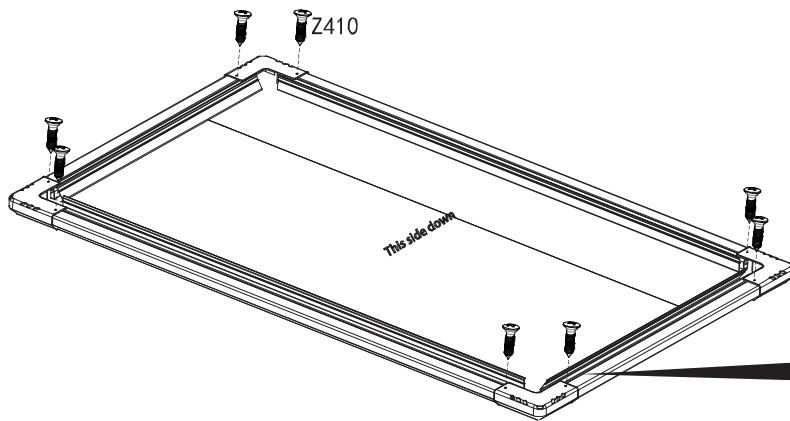
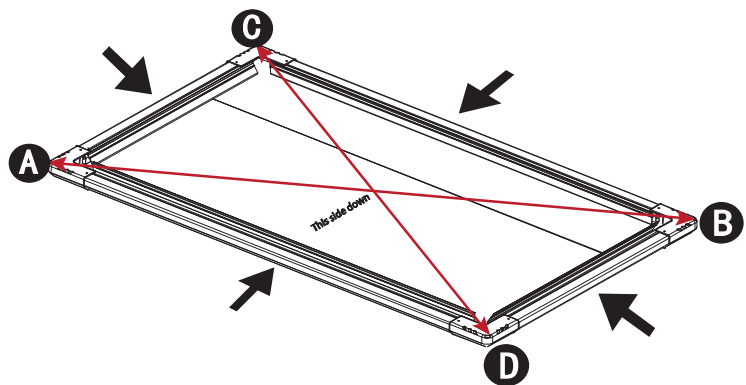
● Please attention to the size before install!

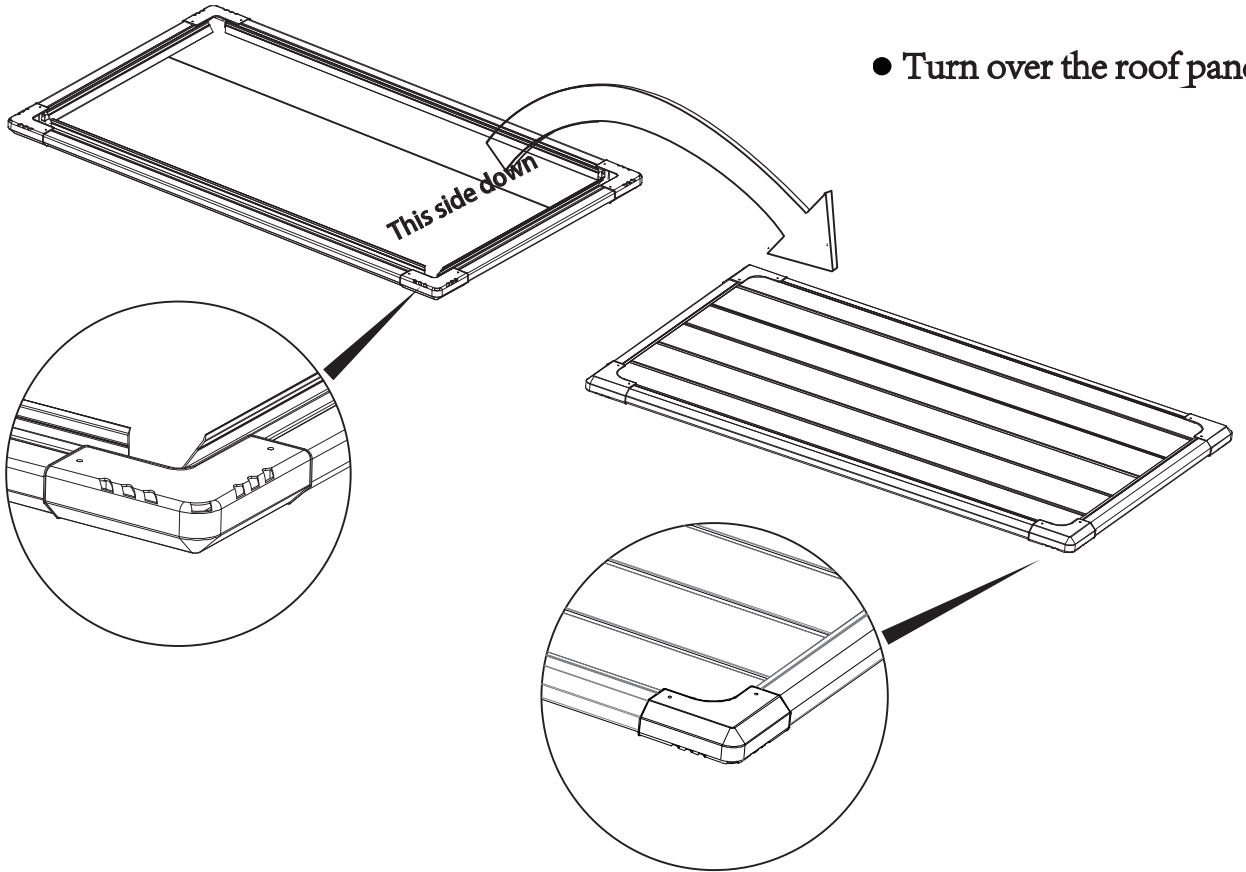
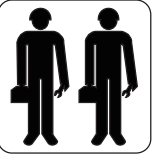
33

Z410
(x8)



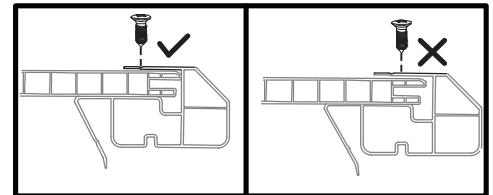
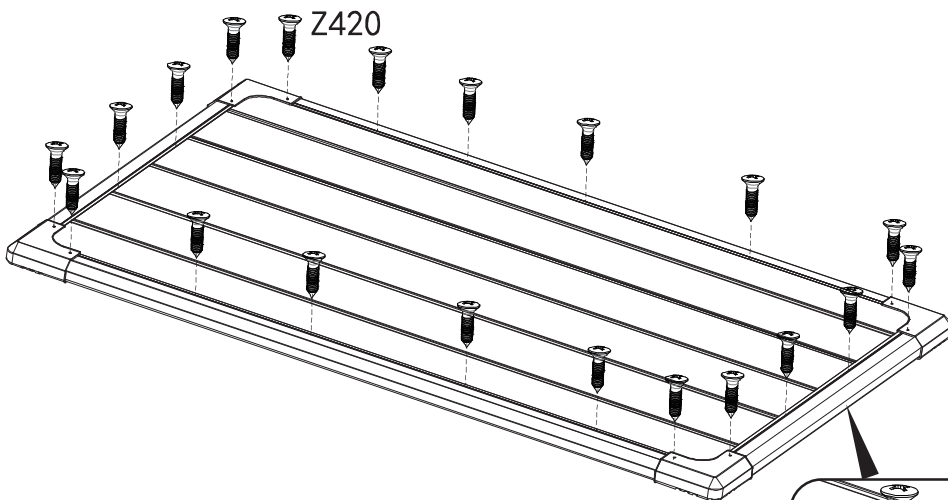
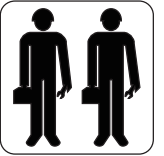
● Make sure AB=CD



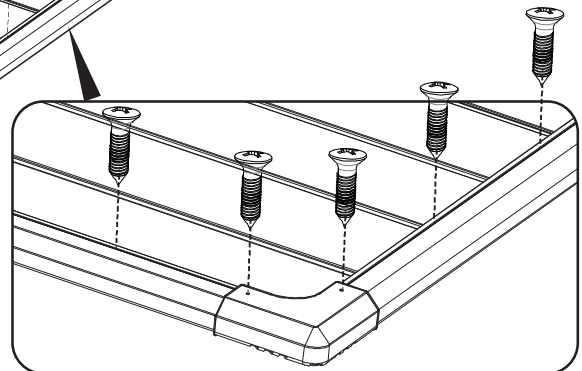


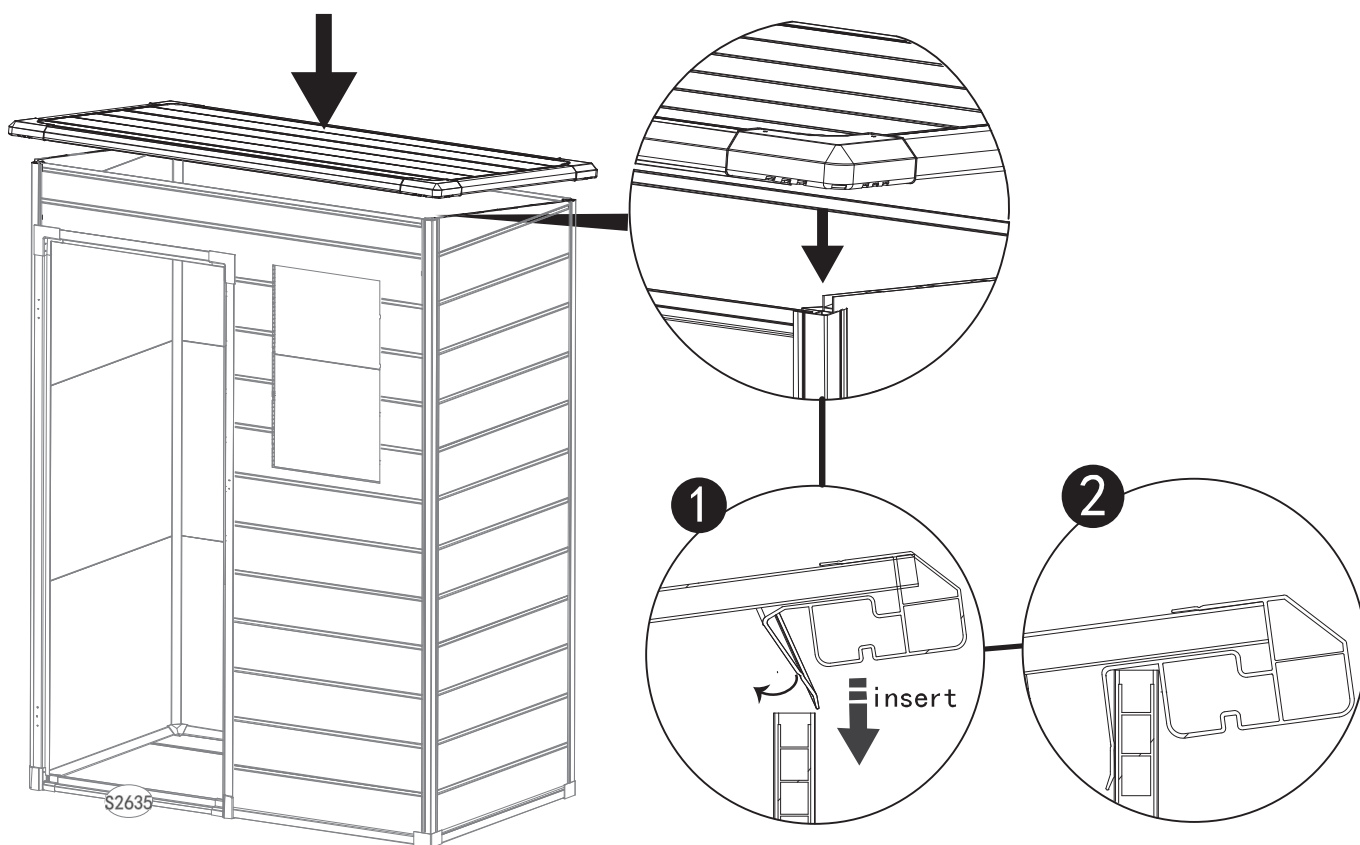
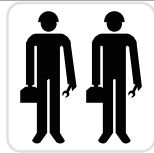
● Turn over the roof panel

Z420
(x20)

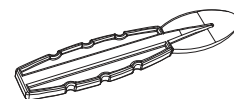


● Nail along the marked line on profile.

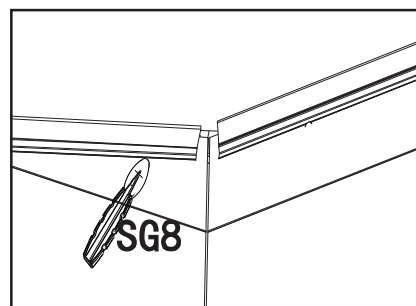
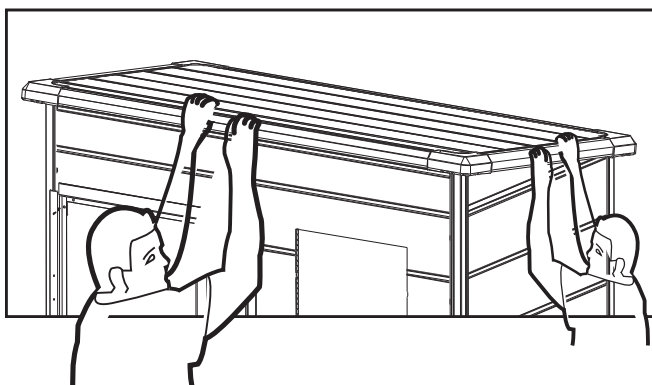




● Fully fit the panel inside the profile



● Ensure fully fit the panels inside the profiles of the roof, using the spatula according to the following picture.

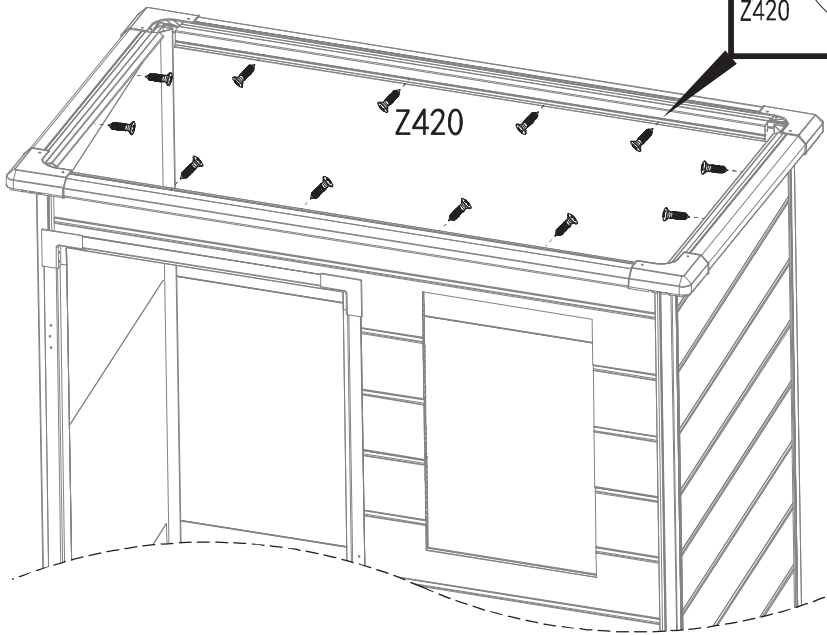
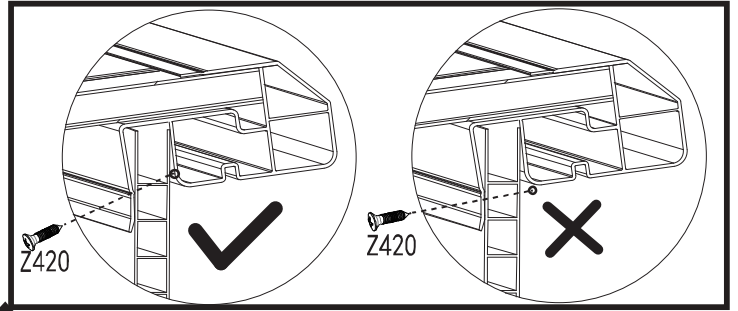


38

Z420
(X12)

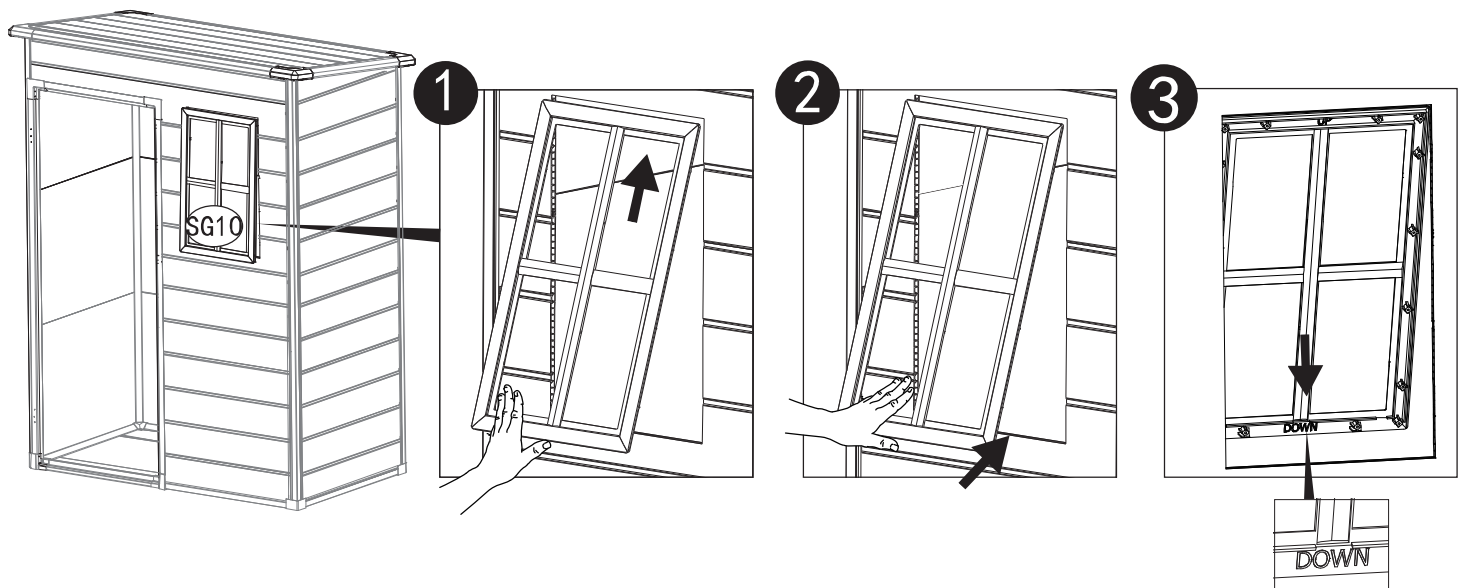
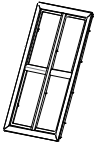


● Please note the nailing direction.



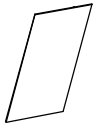
39

SG10
(x1)

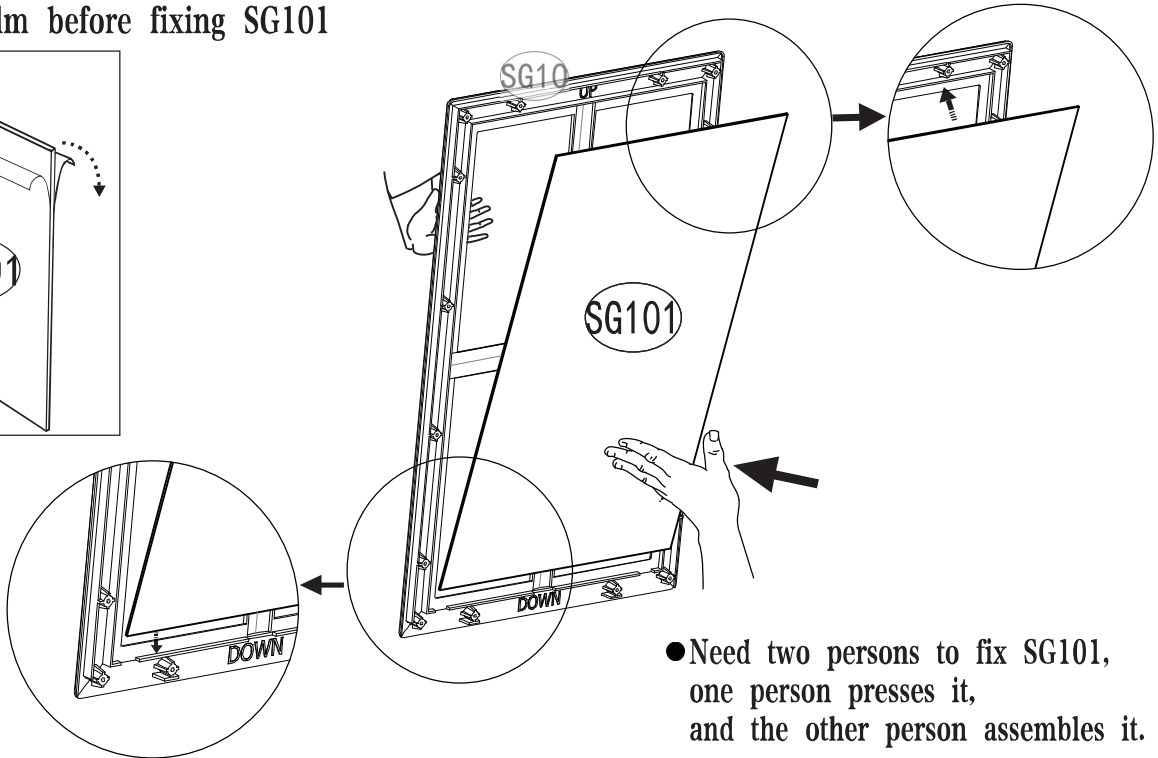
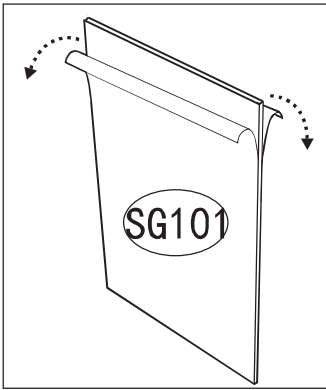


40

SG101
(x1)



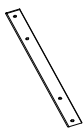
● Remove the film before fixing SG101



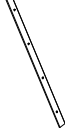
● Need two persons to fix SG101,
one person presses it,
and the other person assembles it.

41

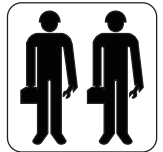
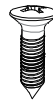
SG102
(x2)



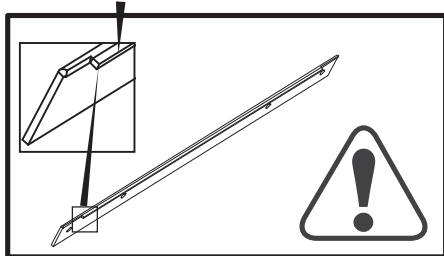
SG103
(x2)



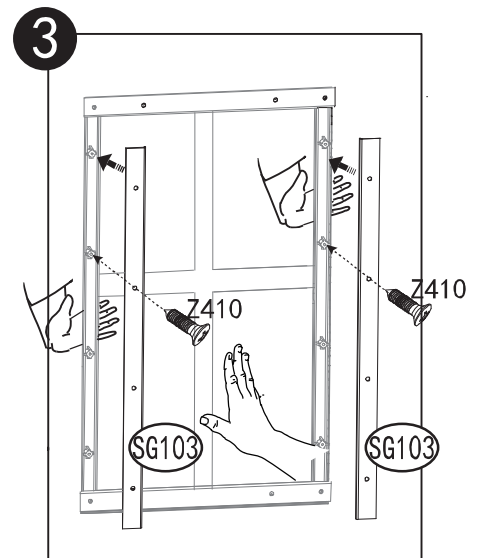
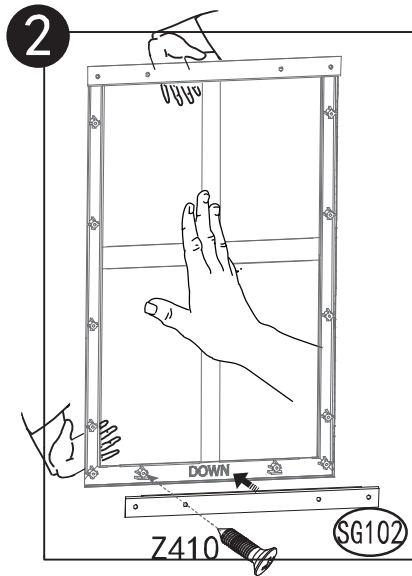
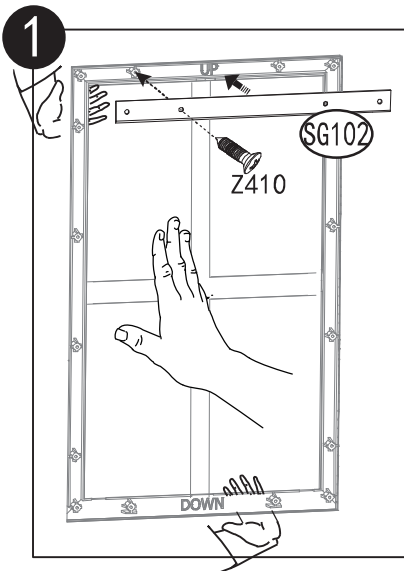
Z410
(x4)



The press plate boss section shall be pressed against SG101

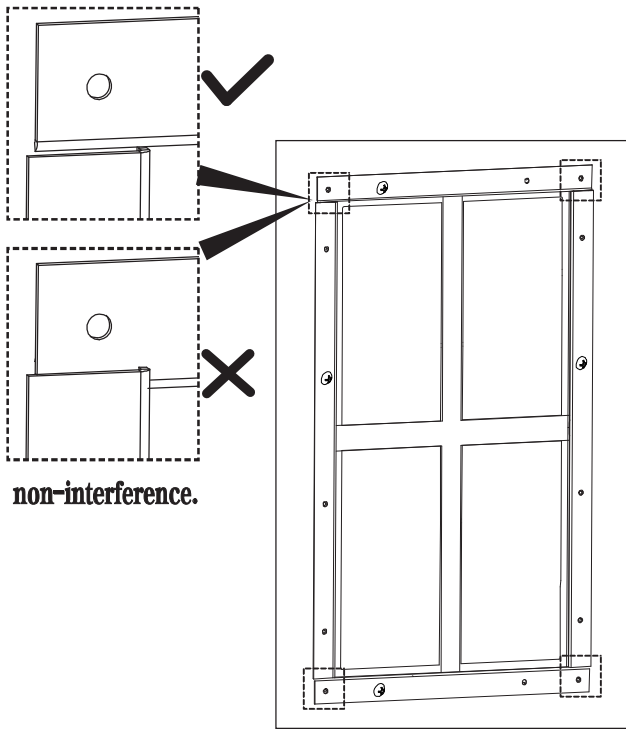
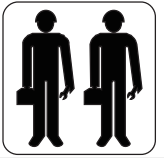
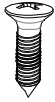


- Press tightly to avoid falling down
- Please note the side with bending edge be pressed to SG101
- It's better to fix just one screw on each SG102&SG103 before each one adjust into right location.

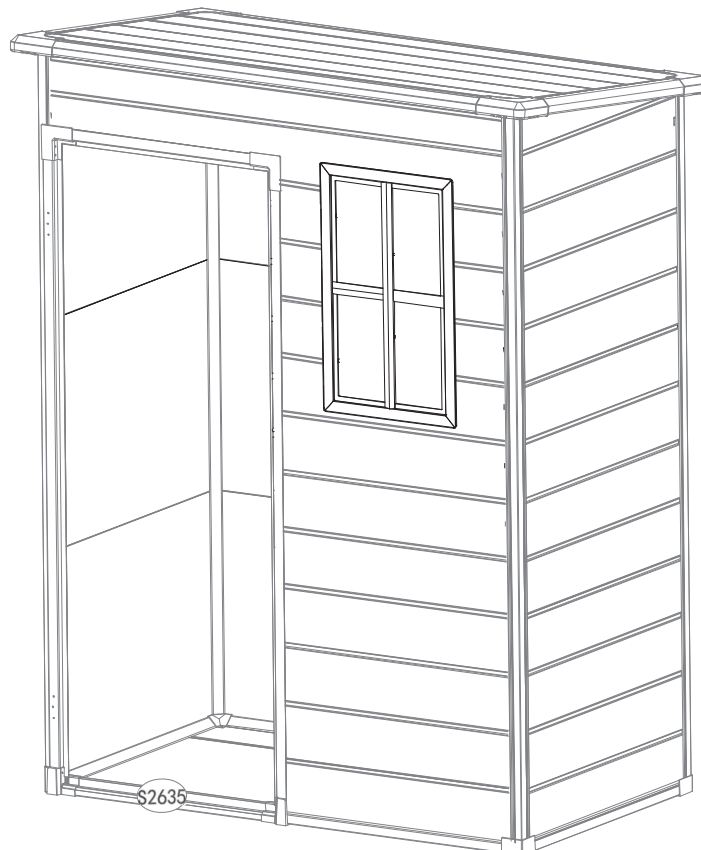
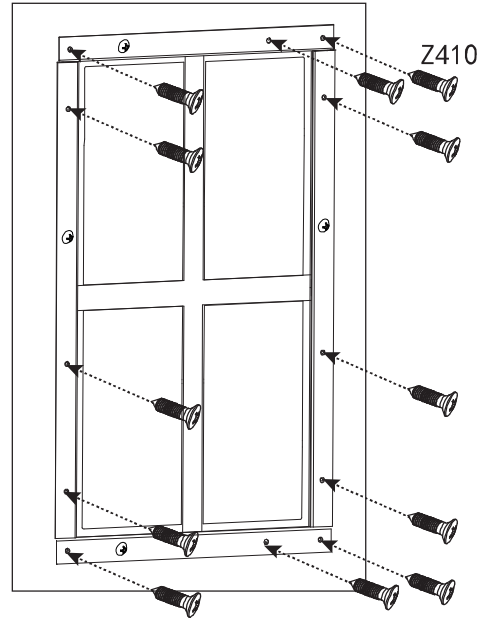


42

Z410
(x12)

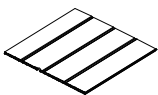


● Adjust SG102&SG103 in right location,
then fix all screws

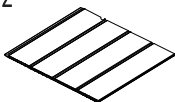


43

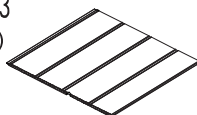
D612-1
(x1)



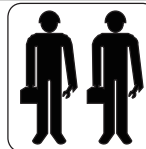
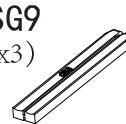
D612-2
(x1)



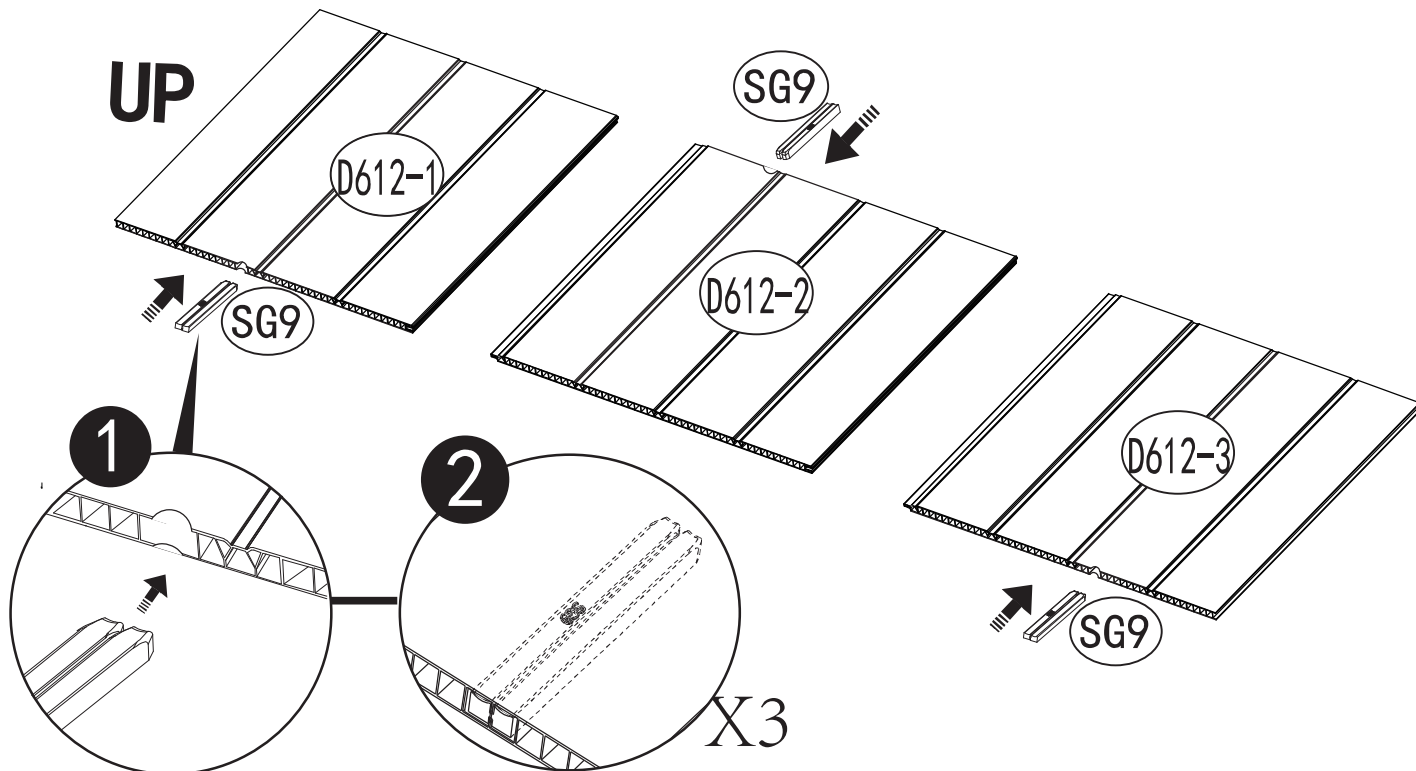
D612-3
(x1)



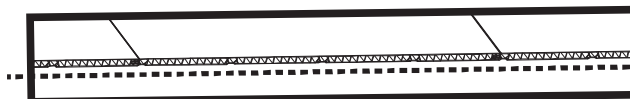
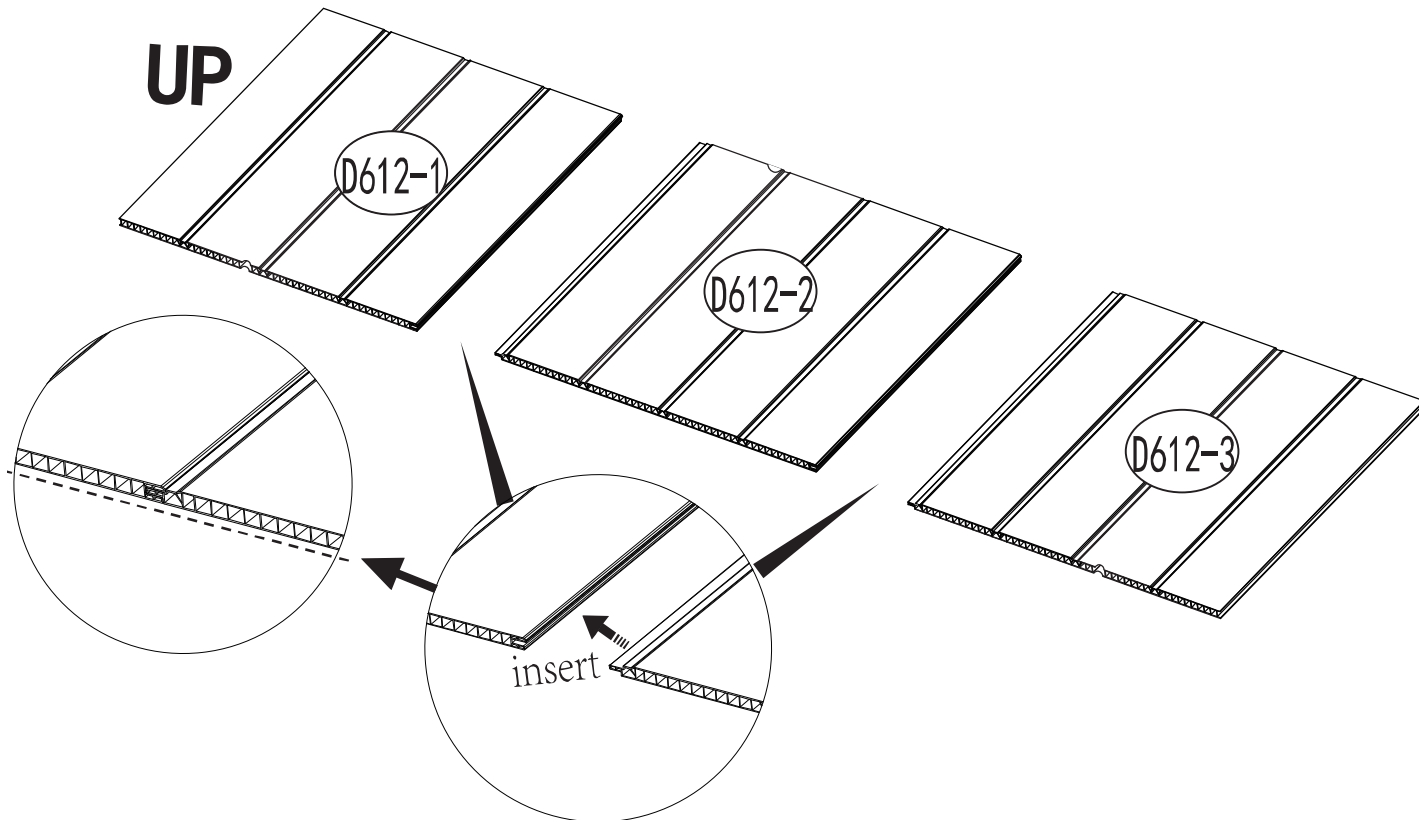
SG9
(x3)



UP



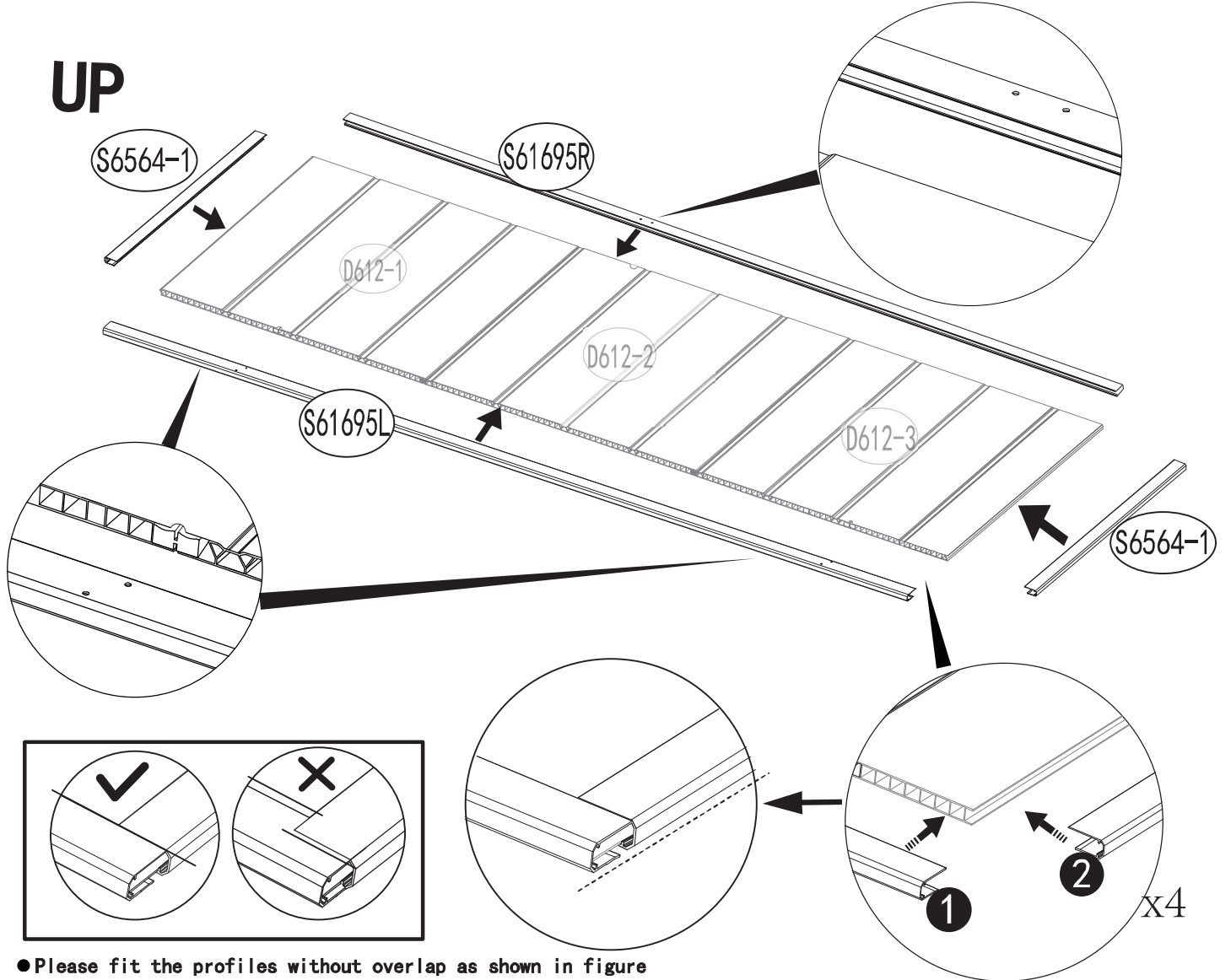
UP



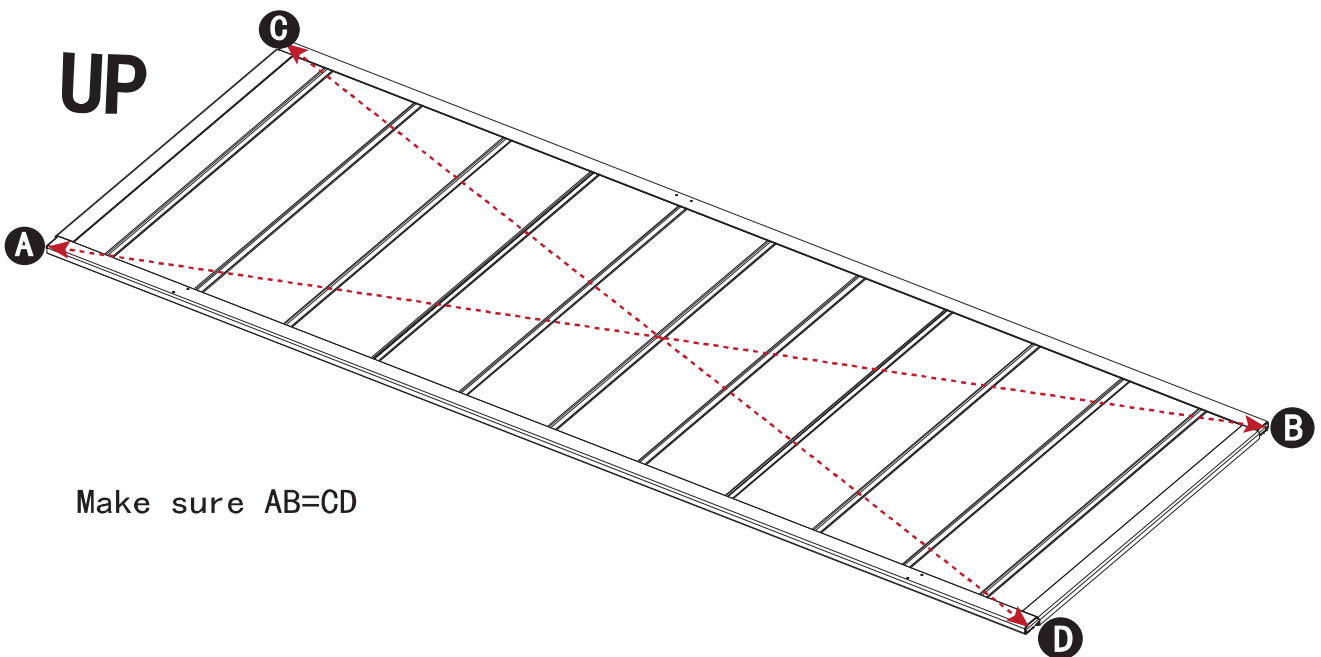
● The door panels must be straight



UP



UP

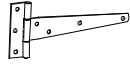


45

SG5-1
(x2)



M01
(x2)



SG5-2
(x2)



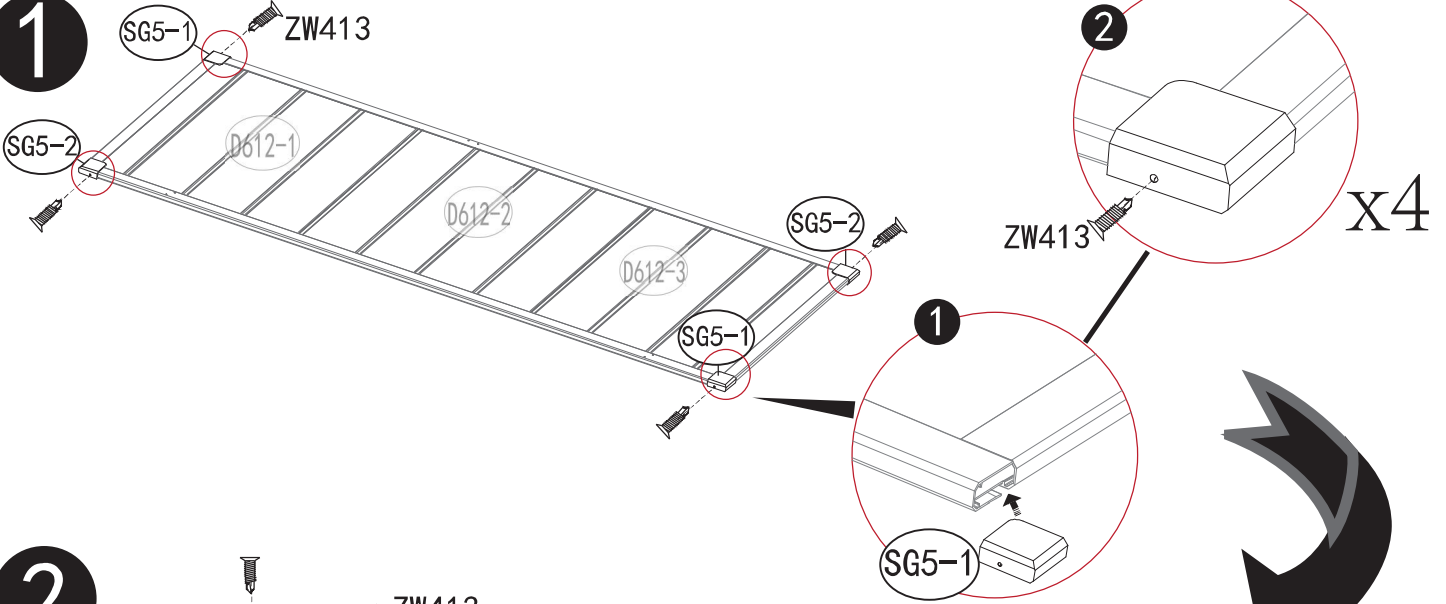
Z410
(x4)



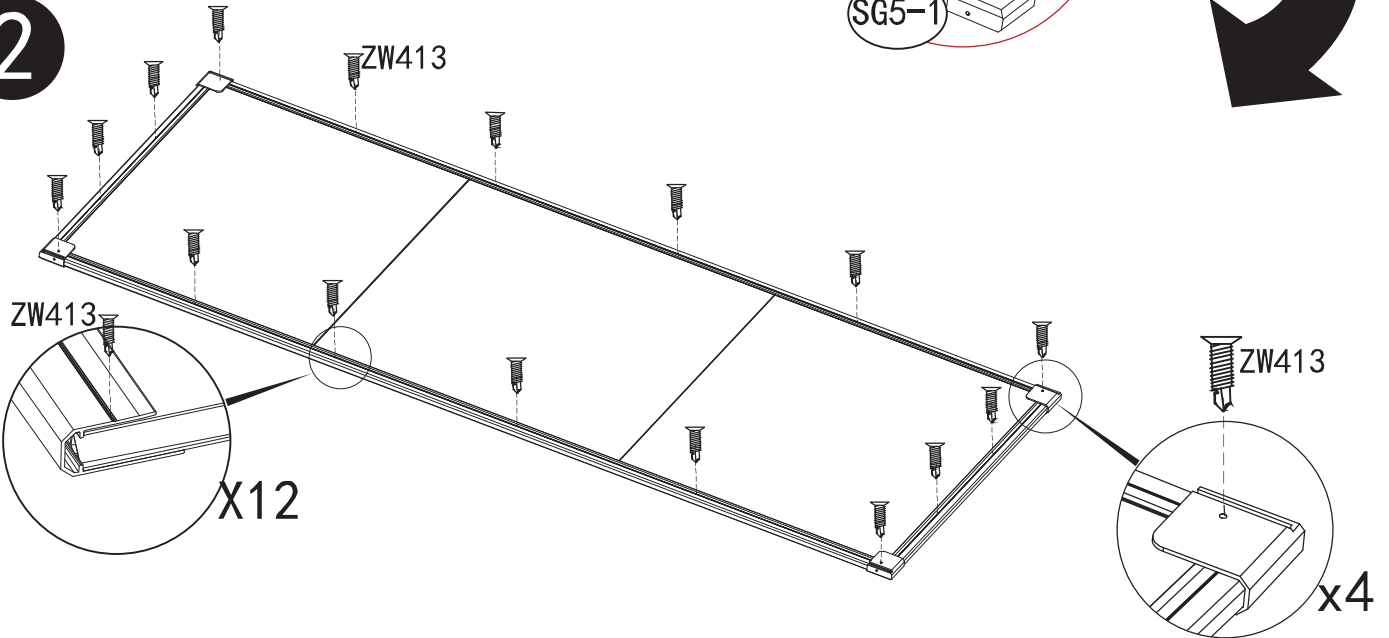
ZW413
(x20)



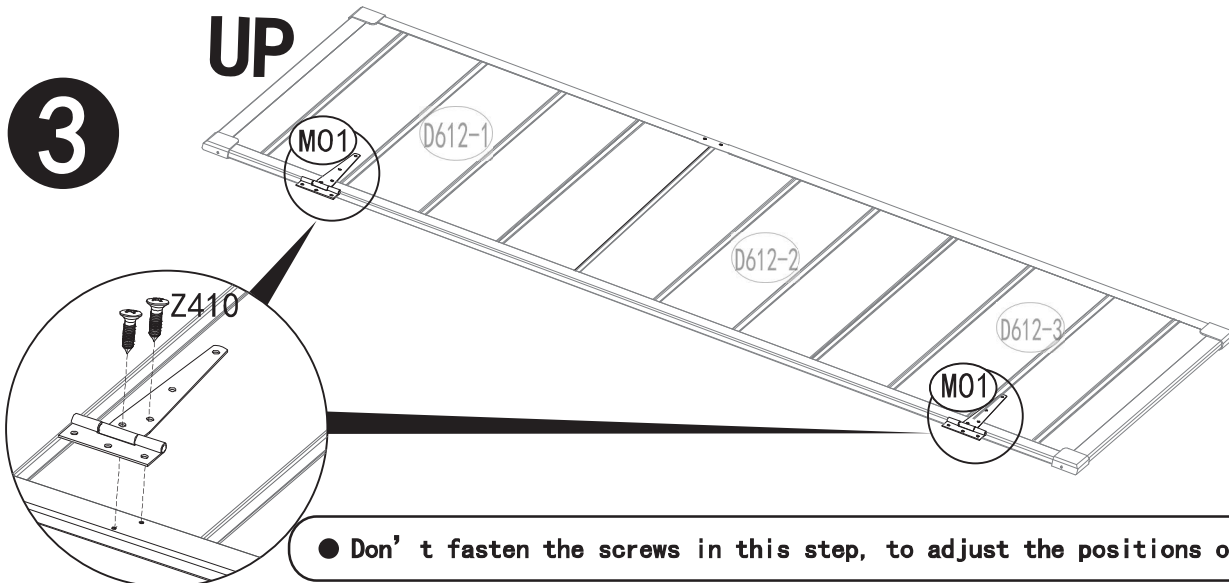
1



2



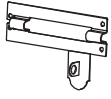
3



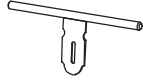
● Don't fasten the screws in this step, to adjust the positions of doors

46

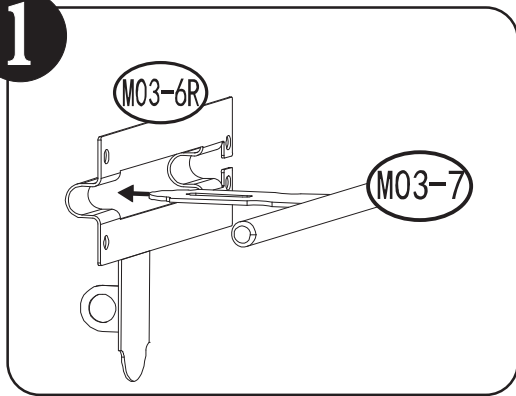
M03-6R
(x1)



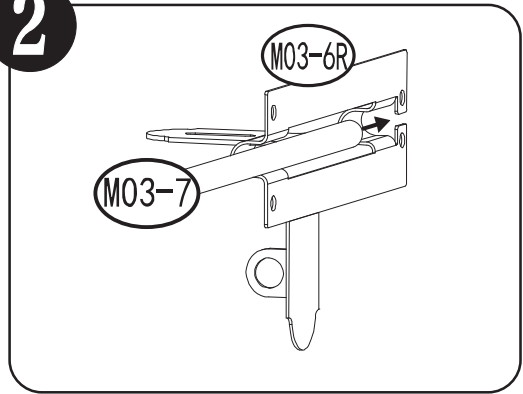
M03-7
(x1)



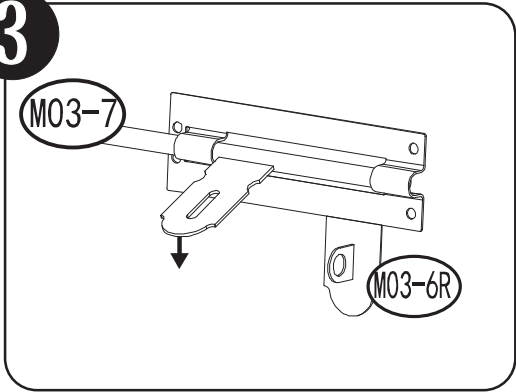
1



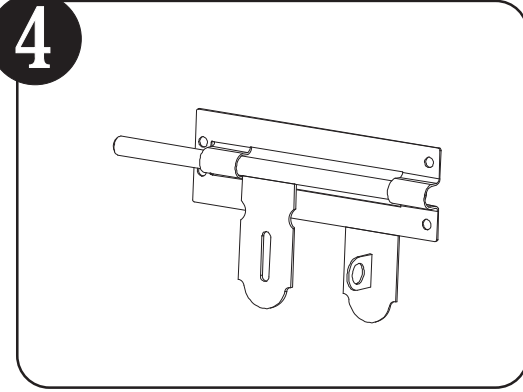
2



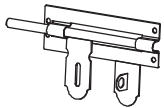
3



4



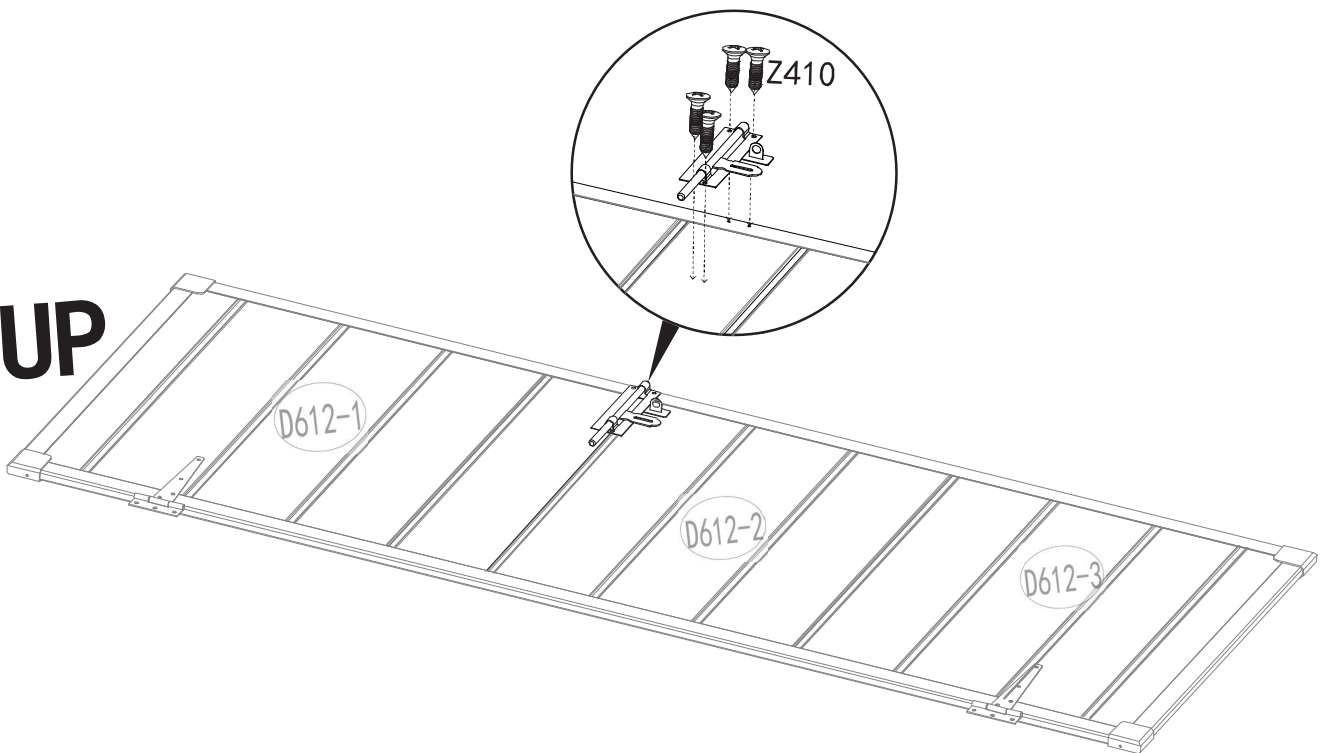
47

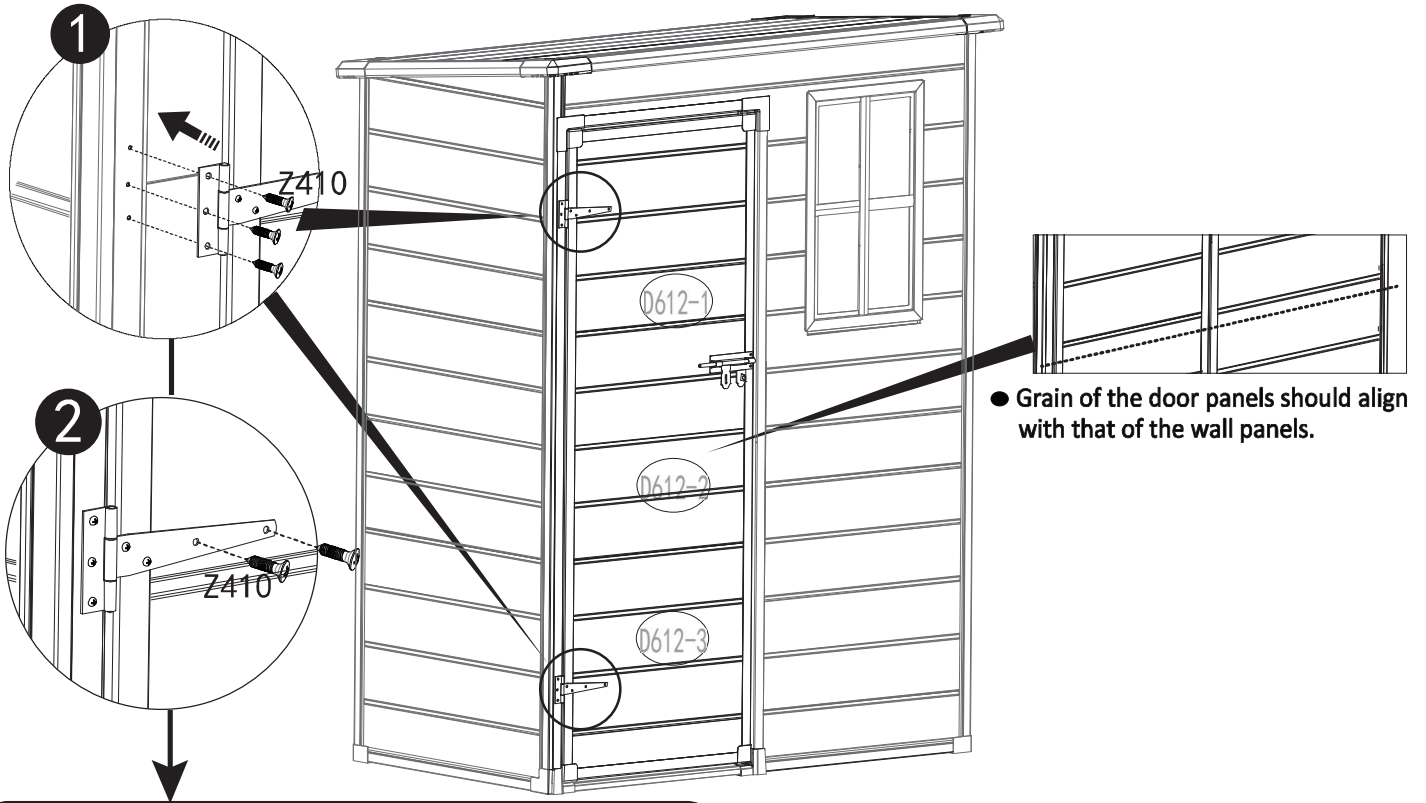
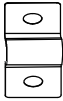
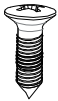


Z410
(x4)



UP





Nail the door after place adjustment and fasten all the screws.

