



MANICURE NAIL TABLE

SAFETY & WARNINGS

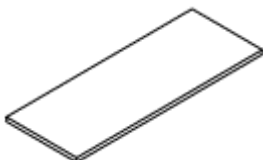
Warning

- Important - Please read these instructions fully before starting assembly.
- Do not sit or stand upon the tabletop.
- Make sure you have enough space to layout the parts before starting.
- Assemble the item as close to its final position (in the same room) as possible.
- We do not recommend the use of power drill/drivers for inserting screws, as this could damage the unit. Only use hand screwdrivers.

Safety Information

- Check you have all the components and tools listed on pages 3-4.
- Remove all fittings from the plastic bags and separate them into their groups.
- Keep children and animals away from the work area. Small parts could choke if swallowed.
- Parts of the assembly will be easier with 2 people.
- Place the product on flat and steady surface during use.
- During assembly do not stand or put weight on the product, this could cause damage.
- Assemble on a soft level surface to avoid damaging the unit or your floor.
- Only upon completion of the assembly should all fixing points be fully tightened.
- Regularly check and ensure that all bolts and fittings are tightened properly.

COMPONENTS



(01) x 1PC

1190*450*25mm



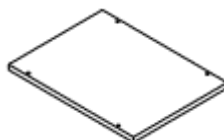
(02) x1PC

705*400*45mm



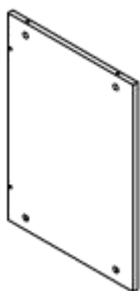
(03) x 1PC

300*400*15mm



(04) x 1PC

300*400*15mm



(05) x 1PC

575*400*15mm



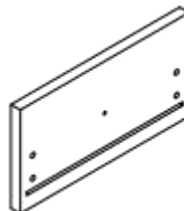
(06) x 1PC

575*400*15mm



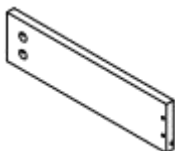
(07) x 1PC

575*270*15mm



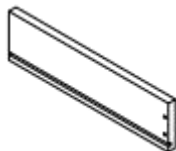
(08) x 4PCS

266*141*15mm



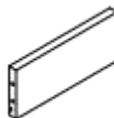
(09) x 4PCS

340*90*15mm



(10) x 4PCS

340*90*15mm



(11) x 4PCS

215*90*15mm

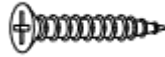


(12) x 4PCS

335*225*4mm



x28+2



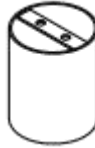
x28+2

(A)

(B) x 95PCS
Φ3.5*14

(C) x 16PCS
Φ3.5*35

(D) x 4PCS



(E) x 4PCS
Φ4*18

(F) x 4PCS

(G) x 1PC
Φ80*100

(H) x 2PCS
Φ8*125

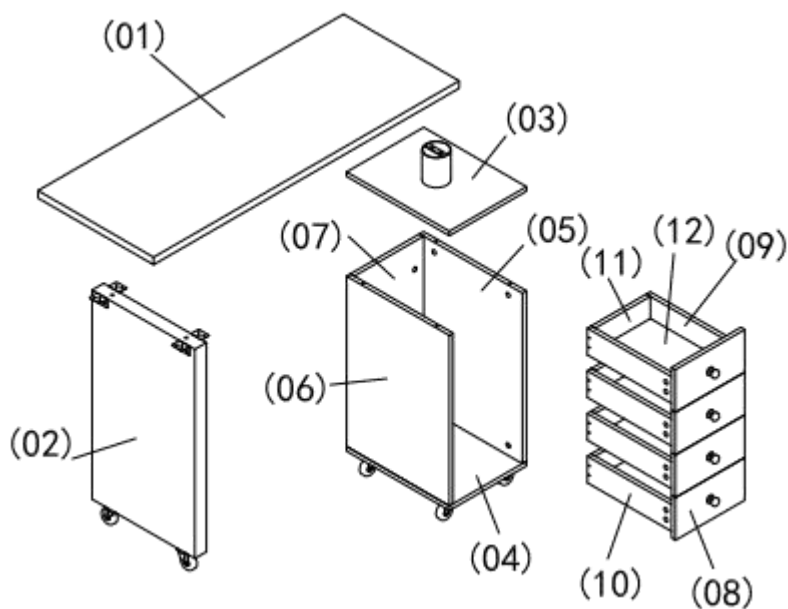


(I) x 6PCS

(J) x 4PCS
12"

(K) x 2PCS
Φ8*30

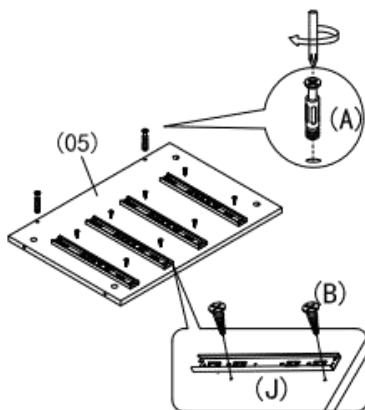
PART LIST



INSTALLATION

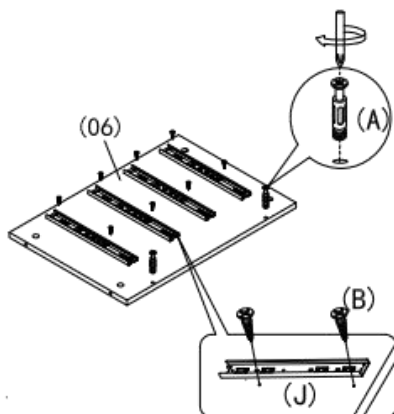
Step 1

Place (05) on a flat and non-abrasive surface. Insert two (A) into (05), and attach four (J) to (05) with (B).



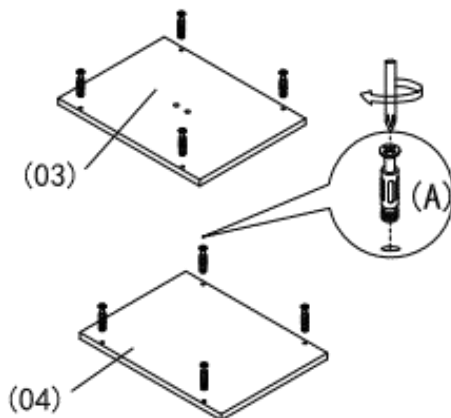
Step 2

Repeat step 1, insert two (A) into (06), and attach four (J) to (06) with (B).



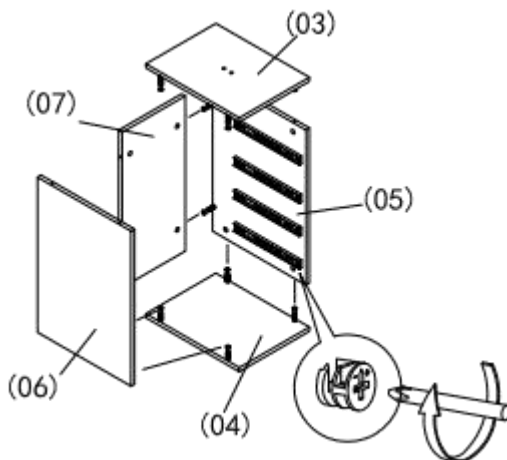
Step 3

Insert (A) into (03) and (04) respectively as shown in the picture.



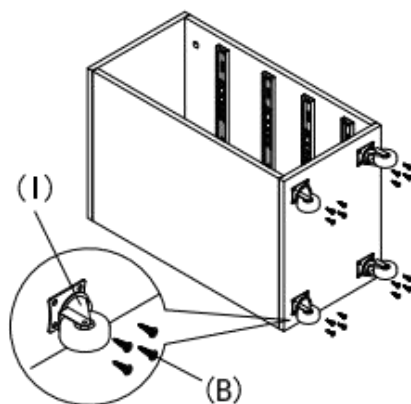
Step 4

Attach (03), (04), (05), (06) and (07) together with (A) by screwing clockwise.



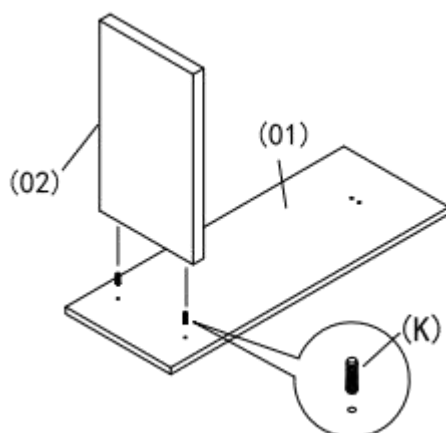
Step 5

Place the cabinet side on the ground as shown and install (I) at the bottom of (04) with (B).



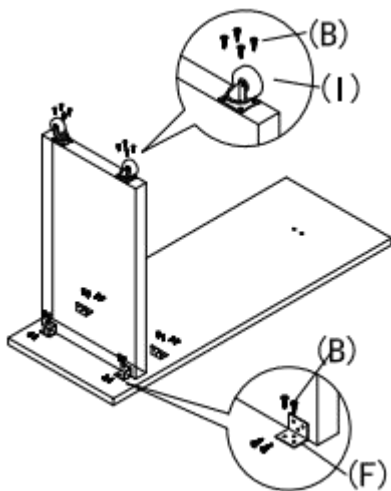
Step 6

Connect (02) to (01) with (K).



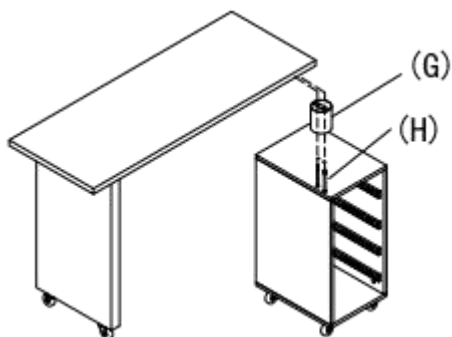
Step 7

Connect (02) and (01) with (B) and (F), then attach (I) to the bottom of (02) with (B).



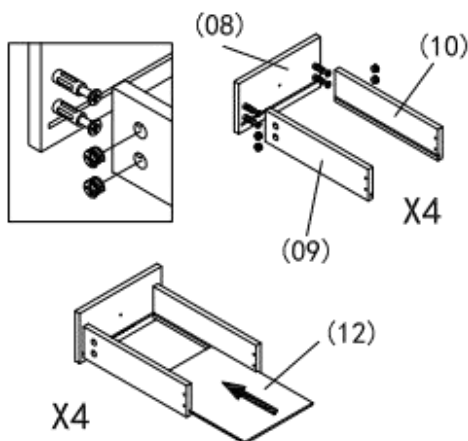
Step 8

Attach the frame of step 5 to the frame of step 7 with (G) and (H) as shown in the figure.



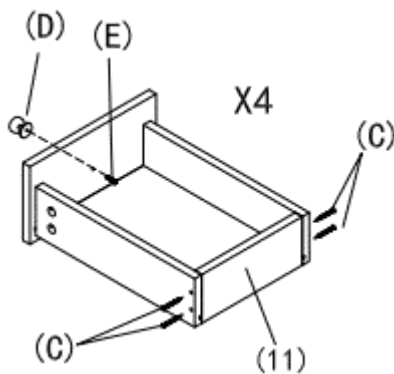
Step 9

Attach (09) and (10) to (08) with (A), then push (12) to (09) and (10). Repeat these steps until you have installed all four drawers.



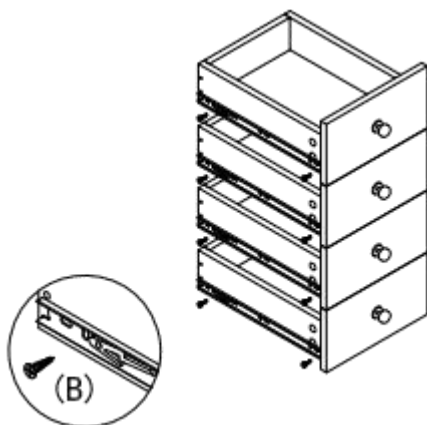
Step 10

Attach (11) to (09) and (10) with (C), then connect (D) to (08) with (E). Repeat these steps until you have installed all four drawers.



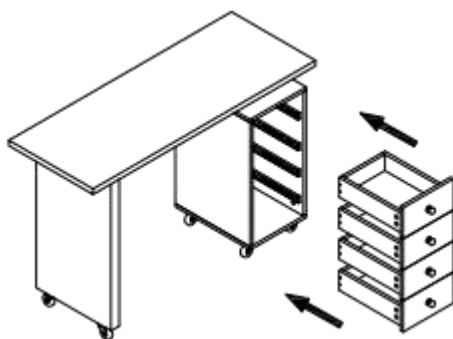
Step 11

Install (J) on the left side of each of the 4 drawers with (B).



Step 12

Install the drawer inside the manicure nail table and complete the assembly.



CLEANING & CARE

- Wipe regularly with clean water and a damp, clean, soft cloth.
- General cleaning can be done as needed with a mild detergent and water solution.
- Always rinse with clean water and dry. For heavy soiling, dampen a soft cloth or soft bristle brush. Use care as scrubbing can damage the surface.
- DO NOT use any cleaners with corrosive ingredients (lye, acids or ammonia).
- From time to time check that there are no loose screws on this unit.
- This product should not be discarded with household waste. Take to your local authority waste disposal centre.

Living and Home

A Home is for Living in

For comfort and style update your living space.

Browse contemporary and classic designs and find the perfect home to your look and the perfect spot to lounge.

Put your feet up and sink into our stylish home decor.

We are mainly engaged in home, outdoor, home appliances, office, bathroom, provided high quality and affordable products for you. We value every one of our customers and our professional service team is always available to help you.

livingandhome.co.uk