



BAR TABLE

SAFETY & WARNINGS

Warning

- Important - Please read these instructions fully before starting assembly.
- Do not sit or stand upon the tabletop.
- Make sure you have enough space to layout the parts before starting.
- Assemble the item as close to its final position (in the same room) as possible.
- We do not recommend the use of power drill/drivers for inserting screws, as this could damage the unit. Only use hand screwdrivers.

Safety Information

- Check you have all the components and tools listed on pages 3.
- Remove all fittings from the plastic bags and separate them into their groups.
- Keep children and animals away from the work area, small parts could choke if swallowed.
- Parts of the assembly will be easier with 2 people.
- Place the product on flat and steady surface during use.
- During assembly do not stand or put weight on the product, this could cause damage.
- Assemble on a soft level surface to avoid damaging the unit or your floor.
- Only upon completion of the assembly should all fixing points be fully tightened.
- Regularly check and ensure that all bolts and fittings are tightened properly.

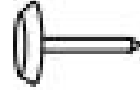
COMPONENTS



A: Bolts (x48)



B: Nut (x48)



C: Glide (x14)



D: Screw (x20)



E: Screw (x12)



F: Wood Dowel
Pin (x14)



G: Screw (x4)



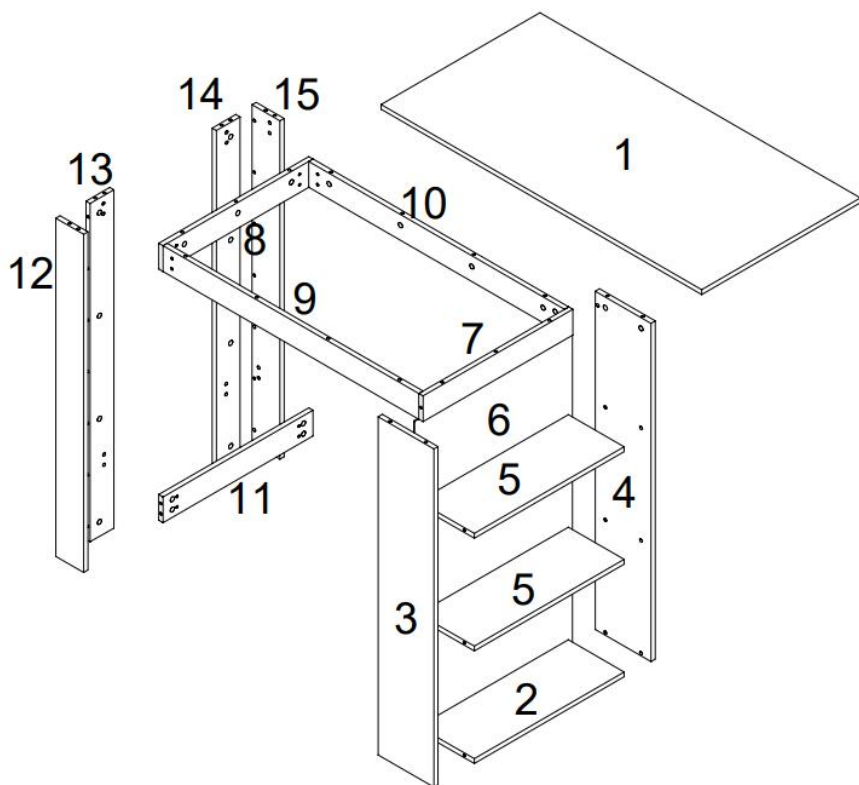
H: Screw (x48)



J: Shelf Guard (x3)

*Hammer and screwdriver are not included !!

PART LIST



INSTALLATION

Step 1

Place boards 2, 5, 5, 7 and 4 on a clean floor as shown in the picture. Use bolts (A) and nuts (B) to fit boards 2, 5, 5, 7 and 4 together. Then install shelf guards (J) between each board.

Step 2

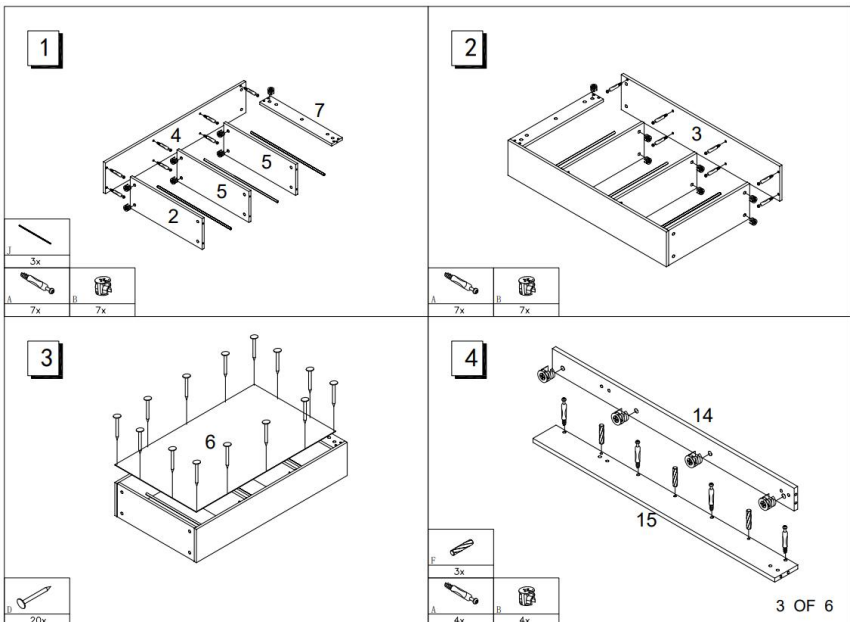
Attach board 3 to the other side with bolts (A) and nuts (B).

Step 3

Attach board 6 to the back with screws (D).

Step 4

Attach board 14 to board 15 with wood dowel pins (F), bolts (A) and nuts (B).



Step 5

Attach board 13 to board 12 with wood dowel pins (F), bolts (A) and nuts (B).

Step 6

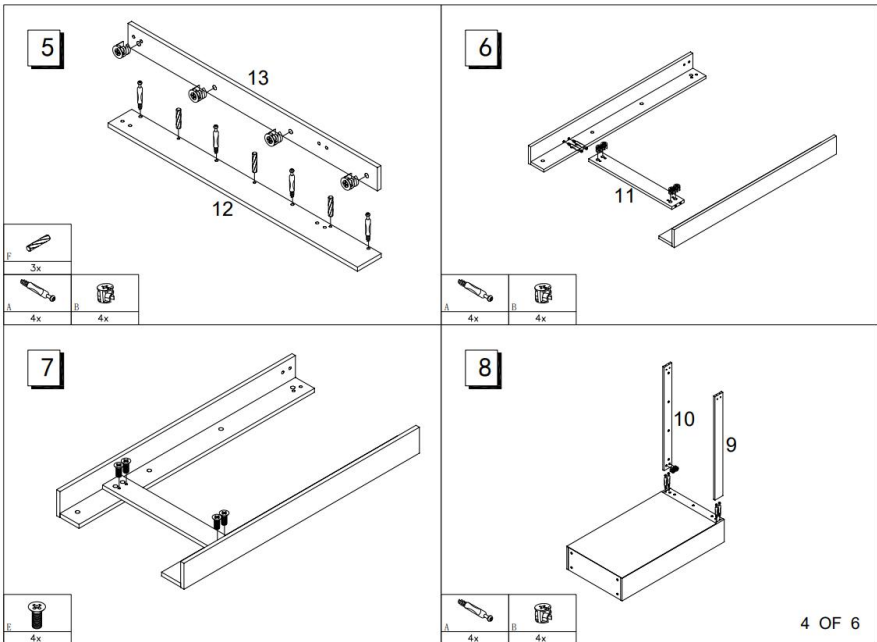
Connect the table legs with board 11 with bolts (A) and nuts (B) as shown in the picture.

Step 7

Secure board 11 with screws (E).

Step 8

Attach board 9 and board 10 to board 7 with bolts (A) and nuts (B).



Step 9

Attach board 8 to board 9 and board 10 with screws (G).

Step 10

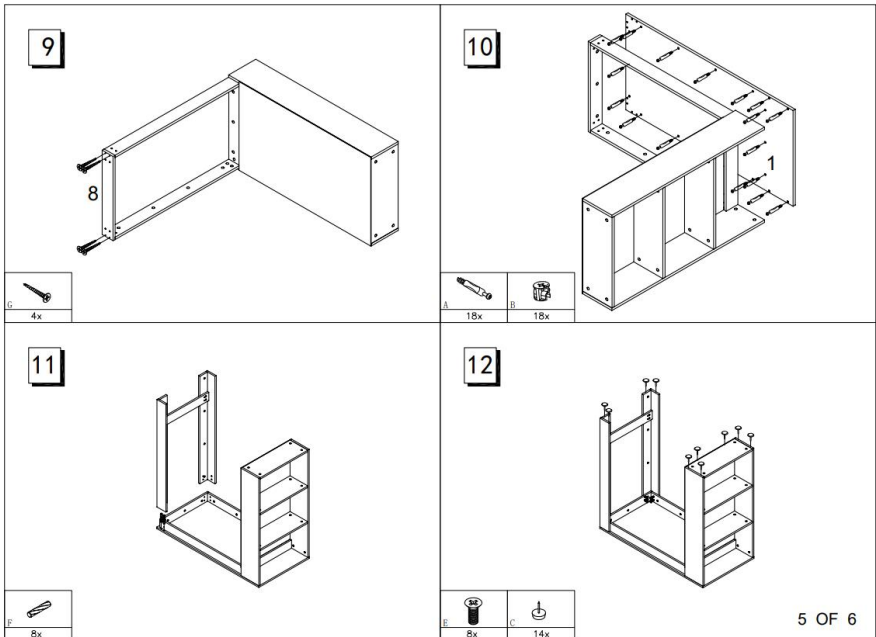
Attach board 1 on top with bolts (A) and nuts (B).

Step 11

Place the table upside down on a flat and non-abrasive surface. Install the table legs with wood dowel pins (F).

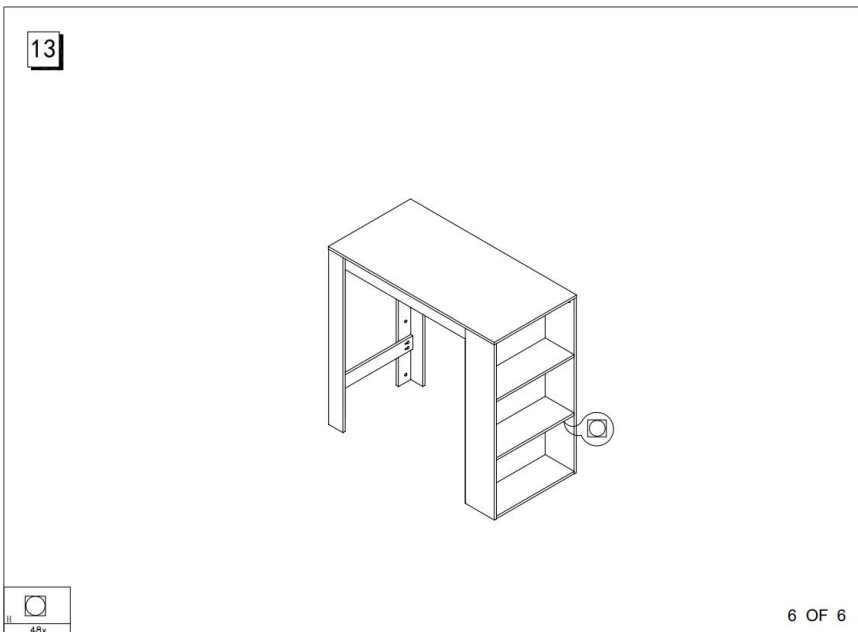
Step 12

Insert glides (C) into the the holes on the bottom. Tighten the the legs to the bar tabletop with screws (E) as shown in picture.



Step 13

Stand the table upright, then you can use the stickers (H) to cover the screw holes and make the table look perfect.



CLEANING & CARE

- Wipe regularly with clean water and a damp, clean, soft white cloth.
- General cleaning can be done as needed with a mild detergent and water solution.
- Always rinse with clean water and dry. For heavy soiling, dampen a soft white cloth or soft bristle brush. Use care as scrubbing can damage the surface.
- DO NOT use any cleaners with corrosive ingredients (lye, acids or ammonia).
- From time to time check that there are no loose screws on this unit.
- This product should not be discarded with household waste. Take to your local authority waste disposal centre.

Living and Home

A Home is for Living in

For comfort and style update your living space.

Browse contemporary and classic designs and find the perfect home to your look and the perfect spot to lounge.

Put your feet up and sink into our stylish home decor.

We are mainly engaged in home, outdoor, home appliances, office, bathroom, provided high quality and affordable products for you. We value every one of our customers and our professional service team is always available to help you.

livingandhome.co.uk