



RETRACTABLE CEILING FAN LIGHT

SAFETY RULES

- To reduce the risk of electric shock, turn off the electricity to the fan at the main fuse box or circuit panel before beginning.
- All wiring must be in accordance with the local electrical codes or National Electrical Code. Electrical installation should be performed by a qualified licensed electrician.
- To avoid personal injury, the use of gloves may be necessary while handling fan parts with sharp edges.
- Make sure the installation site you choose allows clear space for the blades to rotate and at least seven 7 feet (2.13 meters) of clearance between the floor and the fan blade tips. The fan should be mounted so that the tips of the blades are at least 18 inches (45.72 centimeters) from walls or other upright structures.
- **WARNING:** To reduce the risk of fire, electric shock, or personal injury, mount fan only to an outlet box marked acceptable for fan support and use mounting screws provided with the outlet box. Most outlet boxes commonly used for the support of lighting fixtures are not acceptable for fan support and may need to be replaced. Consult a qualified electrician if in doubt.
- The outlet box and ceiling support structure must be securely mounted and capable of supporting at least 45KGs.
- To avoid personal injury or damage to the fan and other items, be cautious when working around or cleaning the fan.
- Do not use water or detergents when cleaning the fan or fan blades. A dry dust cloth or lightly dampened cloth will be suitable for most cleaning.
- After making electrical connections, spliced conductors should be turned upward and pushed carefully up into the outlet box. The wires should be spread apart with the grounded conductor and the equipment-grounding conductor on one side of the outlet box.
- Electrical diagrams are for reference only.
- The fan is suitable for indoor use only.

TOOLS REQUIRED



Phillips Screwdriver



Flat Blade Screwdriver



Step Ladder



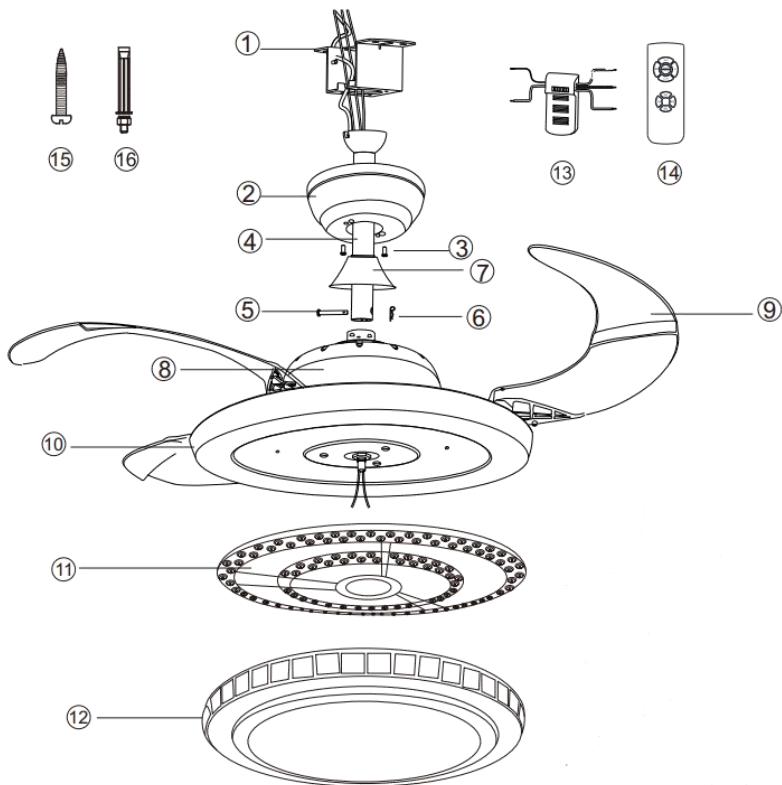
Wire Stripper



Electrical Tape

BEFORE INSTALLATION

Unpack your fan and check the contents. You should have the followings:



- | | |
|--------------------------------|---------------------------|
| 1. Mounting Bracket (x1) | 9. Blades (x3) |
| 2. Canopy (x1) | 10. Base Plate (x1) |
| 3. Canopy Screws (x2) | 11. Light & Driver (x1) |
| 4. Down Rod & Hanger Ball (x1) | 12. Lamp Shade (x1) |
| 5. Bolt (x1) | 13. Remote Receiver (x1) |
| 6. Pin (x1) | 14. Remote Control (x1) |
| 7. Bolt & Pin Cover (x1) | 15. Wood Screws (x4) |
| 8. Top Housing (x1) | 16. Expansion Screws (x2) |

INSTALLATION

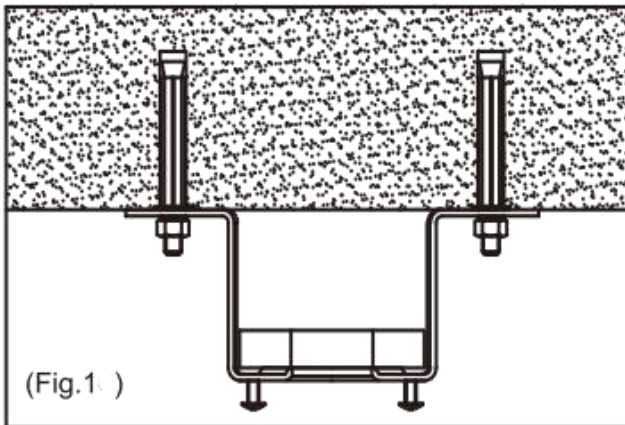
Tools Require: Phillips Screwdriver, Pair of Pliers, Straight Slot Screwdriver, Adjustable Wrench, Step Ladder and Wire Cutters.

INSTALL THE MOUNTING BRACKET

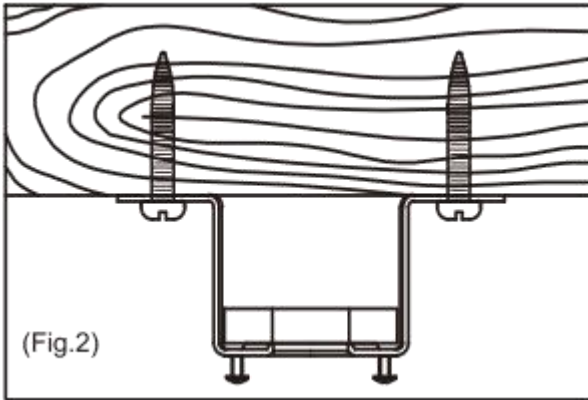
To prevent personal injury and damage, ensure that the hanging location allows the blade a clearance of 7 feet (2.13 meters) from the floor and 18 inches (45.72 centimeters) from any wall or obstruction.

If there isn't an existing CUL listed mounting box, then read the following instructions:

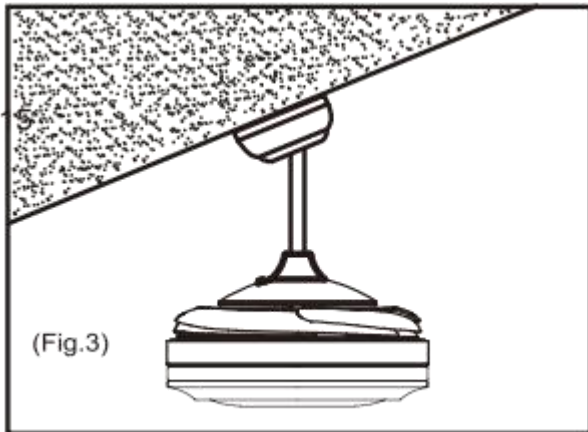
1. For the concrete ceiling: Mark the location for the ceiling fan first, then drill two holes in the ceiling to aid in securing ceiling bracket with two expansion screws provided, and secure the mounting bracket to the building structure with two expansion screws provided, tighten the screws. (Fig.1)



2. For the Wood Ceiling: Mark the location for the ceiling fan first, secure the mounting bracket to the building structure with four wood screws provided. (Fig.2)

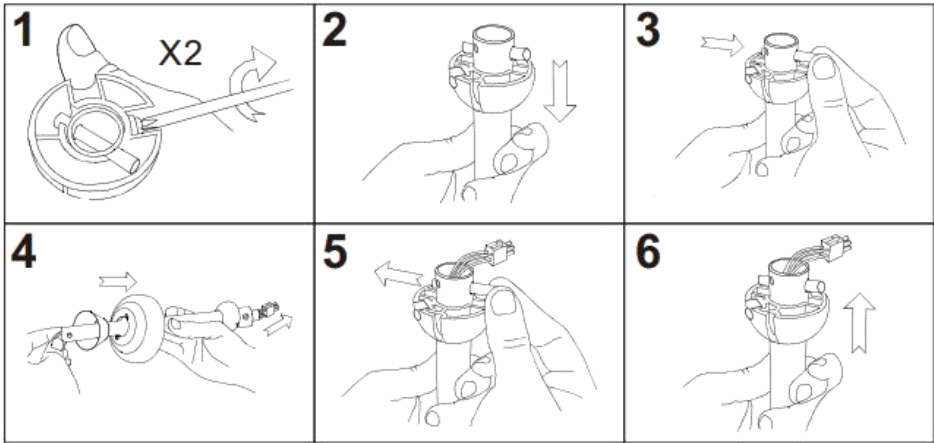


3. Refer to Fig.3 for mounting when the ceiling is angled max.15 degree.



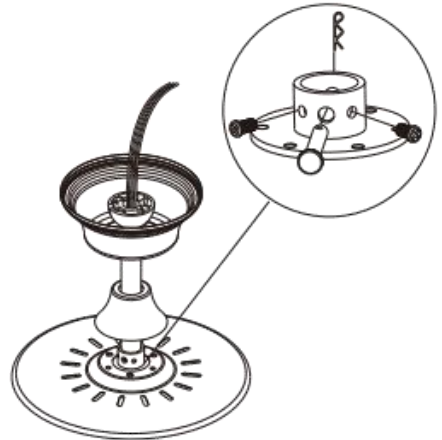
NOTE: Hanger after the installation must be able to withstand the weight of 45kgs or more.

INSTALL THE DOWNROD



REMEMBER to turn off the power. Follow the steps below to hang your fan properly:

1. Remove the lock pin and hitch pin from the down rod.
2. Place down rod assembly into canopy and coupling cover, carefully feed motor wires through the down rod assembly.
3. Loosen the two set screws in down rod coupling.
4. Insert down rod into down rod coupling. Install coupling lock pin through coupling and down rod. Insert hitch pin into cross pin until it snaps into place. Tighten set screws in coupling. Slide coupling cover over the down rod coupling.

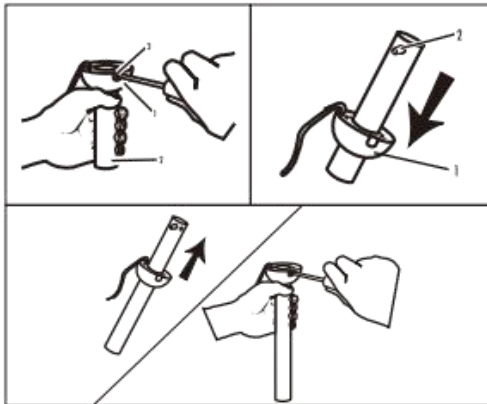


CHANGE DOWNROD (OPT)

The Ceiling Fan comes with one 5 inches standard down rod which is pre-assembled and attached to the hanger ball, one longer 10 inches down rod is also included for higher ceilings.

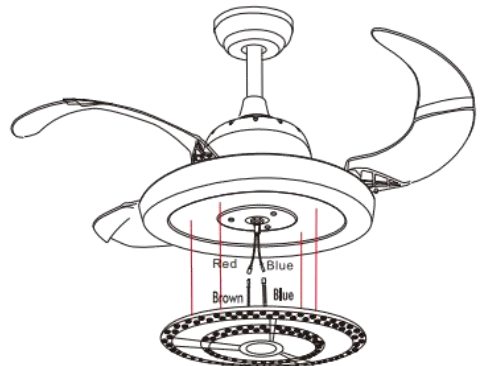
If you need a different down rod length, please follow these steps:

1. Loosen the hanger ball from the down rod by removing the set screw.
2. Slide down rod ball off of down rod and remove pin.
3. Re-install pin into extended down rod, and slide down rod ball up to the top of the down rod.
4. Re-install set screw to secure the ball to the down rod.



INSTALL THE LIGHT KIT

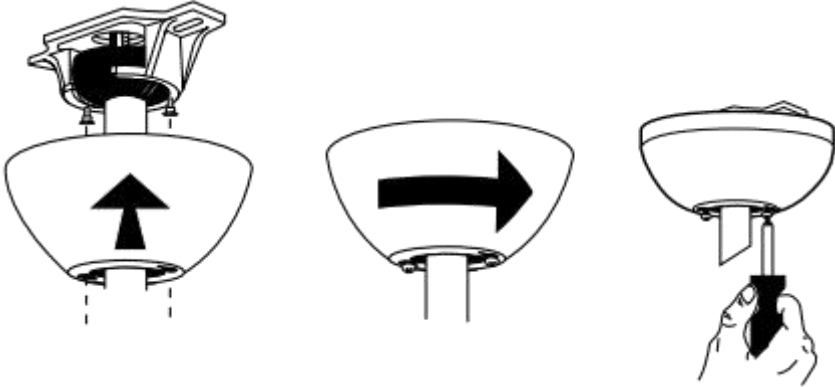
1. Make wiring connections. Please refer to the figure right for the electric connection between fan motor and light kit.
2. Install the lamp and driver to the motor.



SECURE THE CANOPY

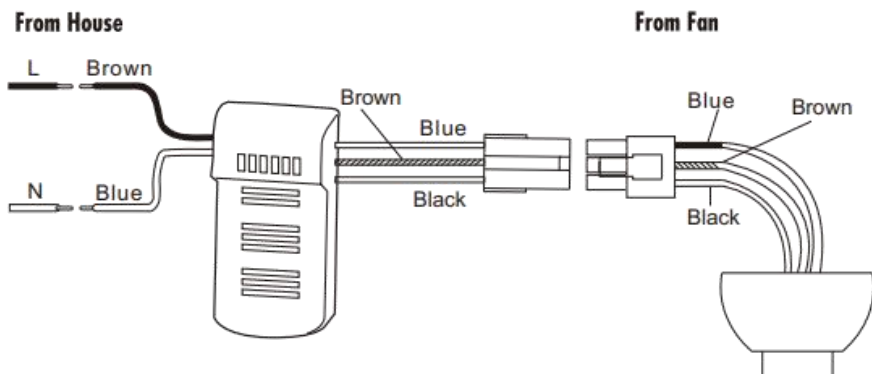
Raise the canopy up and align the keyholes on the bottom of the canopy with the 2 screws on the bottom of mounting bracket. Rotate the canopy until both screws from the mounting bracket drop into the slot recesses.

Tighten screws securely.

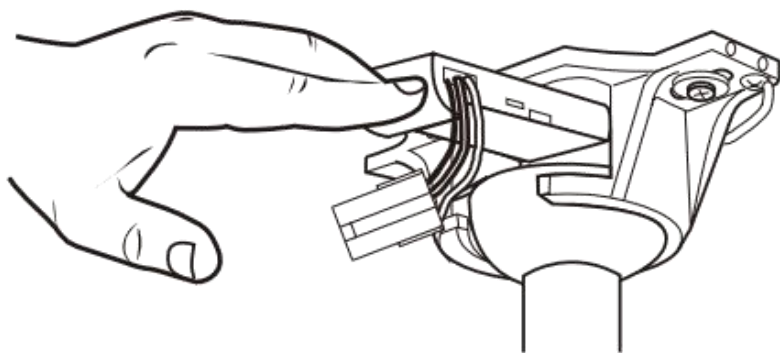


MAKE THE ELECTRIC CONNECTIONS

Make wiring connections from the house and the motor to the remote receiver as shown below.

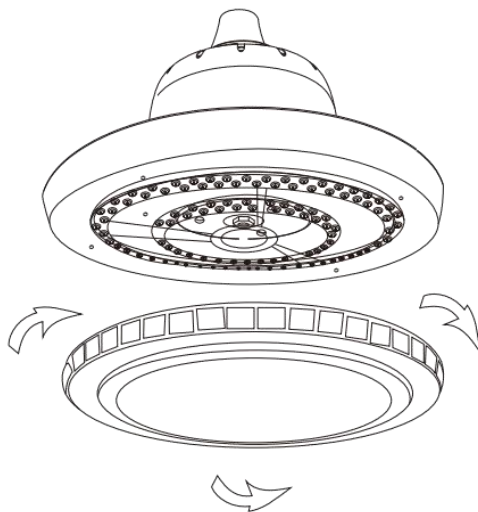


Once wiring step has been completed, slide the wired remote receiver in between the mounting bracket and the top of the down rod ball for down rod fans.

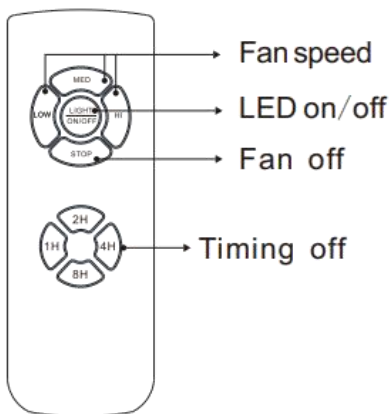


INSTALL DECORATIVE SHADE

Put the shade into the light plate and twist it tight. Ensure the shade is tightened firmly, the shade will drop off and break if not installed properly.



Directions for use



Fan speed

LED on/off

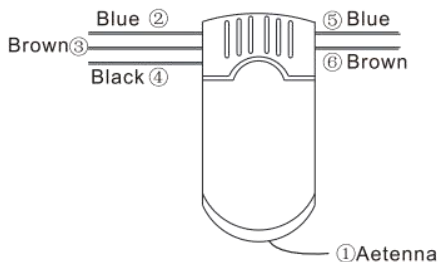
Fan off

Timing off

Voltage:

AC90V - 265V (50Hz - 60Hz)

The receiver wiring instructions



①: Antenna

②: Fan L out, blue line, (N)

③: N out, Brown line, (L)

④: LED L out, Black line, (L)

⑤: N in, Blue line, (L)

⑥: Zero Line input, Brown line, (n)

AFTER INSTALLATION

WOBBLE:

The fan blades have been adjusted in the factory to minimize any wobble.

NOTE: Ceiling fans tend to move during operation due to the fact that they are mounted on a rubber grommet. If the fan was mounted rigidly to the ceiling, it would cause excessive vibration. Movement of a few centimeters is quite acceptable and does not suggest any problem.

TO REDUCE THE FAN WOBBLE: Please check that all screws secured to the mounting bracket and down rod are secure.

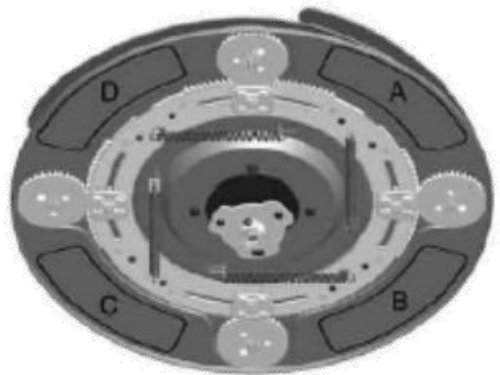
BALANCING A WOBBLING CEILING FAN:

Please follow this procedure when balancing the fan:

- 1) Install fan without light dome before balancing the fan.
- 2) Define the base plate into four areas (point A, B, C & D).

Use one weight from the balance kit to lightly stick on the edge of the base plate (say point A), if the wobble worsens, then take off the balance kit and lightly stick it on the opposite side (say point B); if the wobble is worse, then go to the adjacent point C or D, if the wobble gets better, then securely stick on the weight at this location on the base plate.

- 3) After balancing the fan, assemble the light dome to the light base.



NOISE:

When it is quiet (especially at night) you may hear occasional small noises. Slight power fluctuations and frequency signals superimposed in the electricity for off-peak hot water control, may cause a change in fan motor noise. This is normal. Please allow a 24-hour 'breaking-in' period, most noise associated with a new fan disappear during the time.

The manufacturer's warranty covers actual faults that may develop and NOT minor complaints such as hearing the motor run. All electric motors are audible to some extent.

CARE AND CLEANING

- 1) Periodic cleaning of your ceiling fan is the only maintenance required. Use a soft brush or lint free cloth to avoid scratching the paint finish. Please turn off the electricity power when you do so.
- 2) Do not use water when cleaning your ceiling fan. It could damage the motor or the blades and create the possibility of an electrical shock.
- 3) Motor has permanently lubricated ball bearing. No need to oil.

NOTE: MAKE SURE THE POWER IS OFF AT THE ELECTRICAL PANEL BOX BEFORE YOU ATTEMPT ANY CLEANING OR REPAIRS.

TROUBLESHOOTING GUIDE

If you have difficulty operating your new ceiling fan, it may be the result of incorrect assembly, installation, or wiring. In some cases, these installation errors may be mistaken for defects. If you experience any faults, please check this Trouble Shooting guide. If a problem cannot be remedied, please consult with your authorized electrician and do not attempt any electrical repairs yourself.

Before:

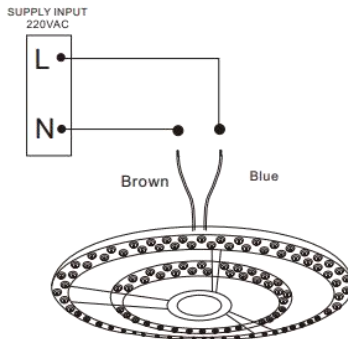
1. This is LED ceiling fan, **DO NOT** install any dimmer switch for this.
2. Install the Remote **OR** Wall Switch, **DO NOT** install both of them.
3. Check circuit fuses or breakers and make sure the battery is installed correctly.
4. Check line wire connections to the fan and switch wire connections in the switch housing.

CAUTION: Make sure main power is off.

Problem: light does not works

Solution:

1. Check to see that the wire connections in the switch housing are connected.
2. Make wiring connections from the house to the LED light directly (don't connect the remote and the fan) to determine it's the issue of the LED light or not.



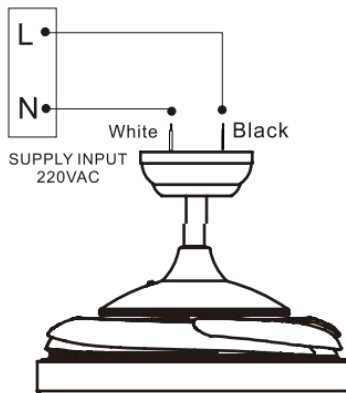
Problem: Fan will not start

Solution:

1. Check line wire connections to the fan and switch wire connections in the switch housing. CAUTION: Make sure the main power is off.
2. Make the Fan wiring connections without the remote & transmitter and the light to determine its the issue of the fan body or not.

- Please don't wire the light at the bottom.
- Connect the Ceiling Fan Neutral Wire (White) to the Neutral Wire (white) coming through the ceiling.
- Connect the Ceiling Fan Live Wire (Black) to the Live wire (Black or Colored) coming through the ceiling.

Then turn on the main power, check the fan works separately or not.



Problem: Fan and Light don't work/ Remote control malfunction

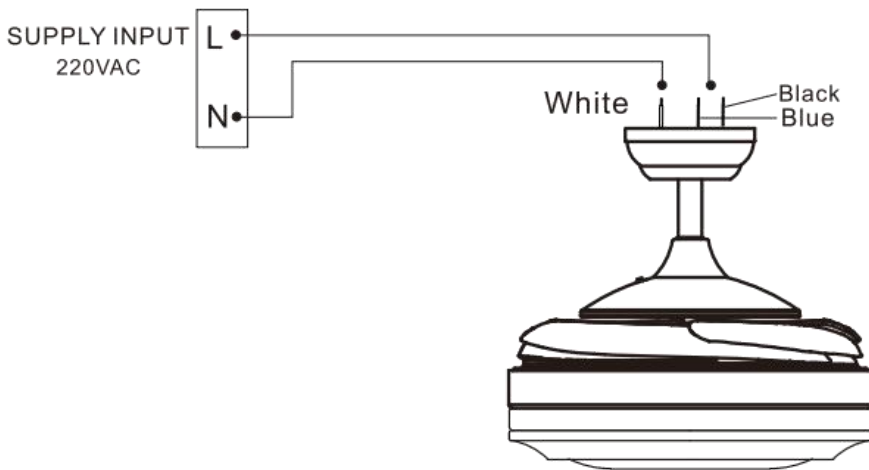
Solution: Test the Fan and LED Light--Without the Remote & Transmitter

In most cases, the ceiling fan & light don't work because of the wrong programming of the Remote Control, please try to connect the wiring without the remote & transmitter:

Turn off the main power:

- Connect the wiring at the bottom for the LED Light.
- Connect the Ceiling Fan Neutral Wire (White) to the Neutral Wire (white) coming through the ceiling.
- Connect the Ceiling Fan Live Wire (Black and Blue wire) to the Live wire (Black or Colored) coming the ceiling.

Then turn on the main power, if the ceiling fan and the light works, it's the issues of the remote & transmitter.



Living and Home

A Home is for Living in

For comfort and style update your living space.

Browse contemporary and classic designs and find the perfect home to your look and the perfect spot to lounge.

Put your feet up and sink into our stylish home decor.

We are mainly engaged in home, outdoor, home appliances, office, bathroom, provided high quality and affordable products for you. We value every one of our customers and our professional service team is always available to help you.

livingandhome.co.uk