



WOODEN CLOTHES RAIL

SAFETY & WARNINGS

Warning

- Check you have all the components and tools listed on page 3 to 4.
- Remove all fittings from the plastic bags and separate them into their groups.
- Keep children and animals away from the work area, small parts could cause choking if swallowed.
- Make sure you have enough space to layout the parts before starting.
- Assemble on a soft level surface to avoid damaging the unit or your floor.
- Parts of the assembly will be easier with 2 people.
- If using power tools, please follow the safety instructions supplied with the tools.
- Assemble the unit as close to its final position (in the same room) as possible.
- We do not recommend the use of power drill/drivers for inserting screws, as this could damage the unit. Only use hand screwdrivers.
- Dispose of all packaging carefully and responsibly.

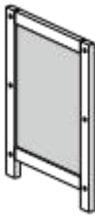
Assembly Tips

- Please read the instruction manual carefully to understand the matters needing attention in the process of installation and maintenance.
- Strictly follow the assembly instructions.
- Carefully check whether the parts in the box are intact.
- Assemble on the box so as not to damage the product and room floor.
- Use of mismatched parts may cause damage to the product. Please confirm the model of various parts before assembly.

COMPONENTS



①: Tall Bracket
(x2)



②: Low Bracket
(x2)



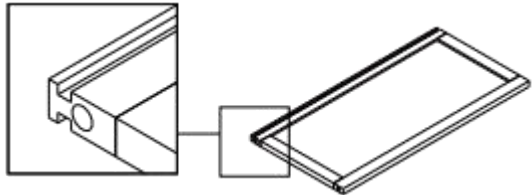
③: Long Bracket
(x1)



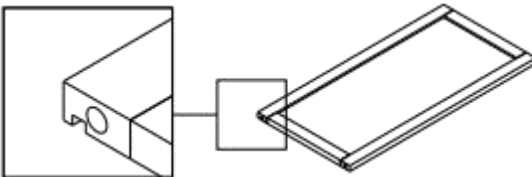
④: Short Bracket
(x1)



⑤: Small Board (x4)



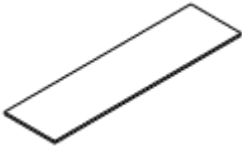
⑥: Double Slot Board (x1)



⑦: Single Slot Board (x2)



⑧: Door (x2)



⑨: Back Panel (x2)



⑩: Round Bar (x1)



⑪: Knob (x2)



⑫: Hook (x6)



⑬: Hinge (x4)



⑭: Metal Plate (x2)



⑮: Door Catch (x2)



A: Long Hexagon
Screw (x15)



B: Short Hexagon
Screw (x29)



C: Short Hexagon
Screw (x2)



D: Cross Flat Head
Screw



E: Cross Pointed
Head Screw



F: Hexagon Flat
Head Screw

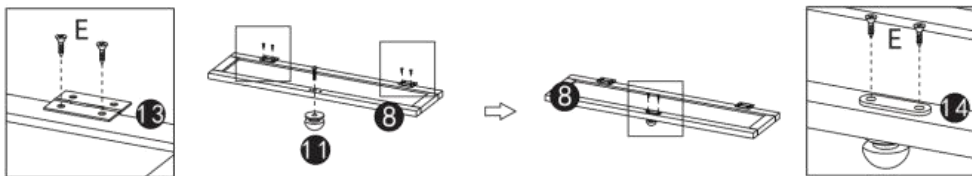


G: Nut

INSTALLATION

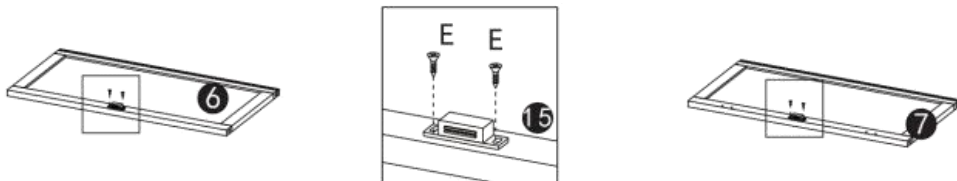
Step 1

Attach hinges (13), knobs (11) and metal plates (14) to the door (8) with cross pointed head screws (E). Repeat this step for another door.



Step 2

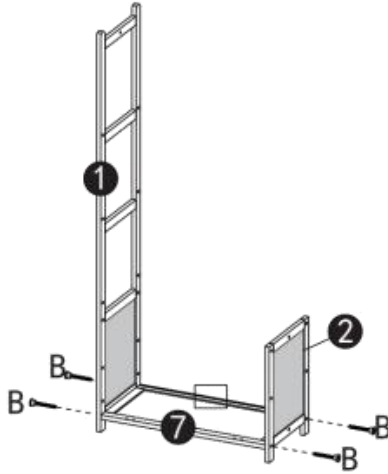
Attach door catch (15) to two double slot boards (6) and one single slot board (7) with cross pointed head screws (E).



Step 3

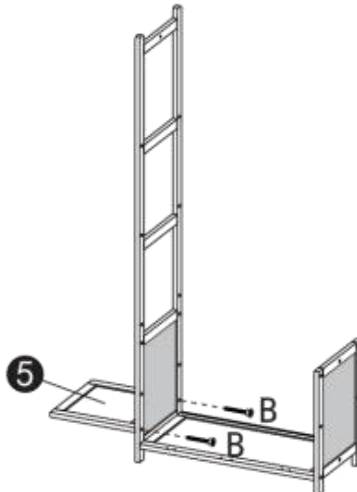
Attach the tall bracket (①) and low bracket (②) to the single slot board (⑦) with short hexagon screws (B).

Note: The slot should face upward.



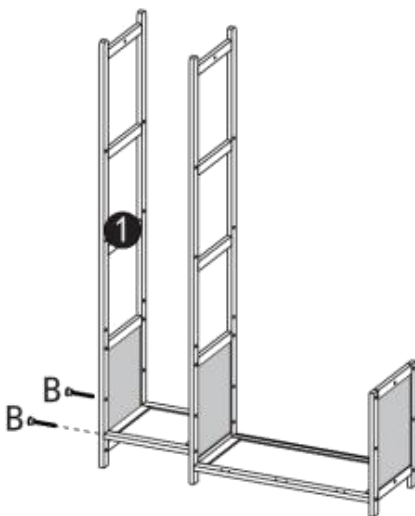
Step 4

Attach small board (⑤) to the tall bracket (①) with short hexagon screws (B).



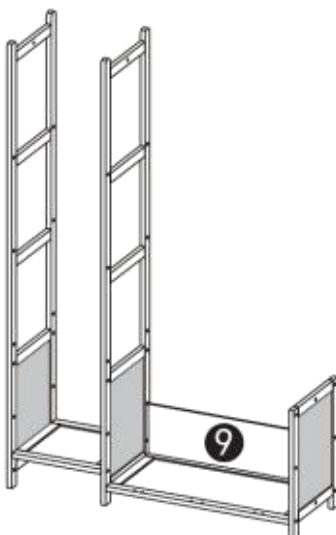
Step 5

Install the tall bracket (①) to the small board (⑤) with short hexagon screws (B).



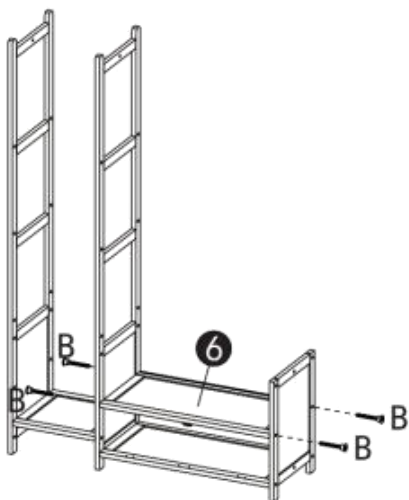
Step 6

Assemble the back panel (9) to the assembled part of step 5 as shown.



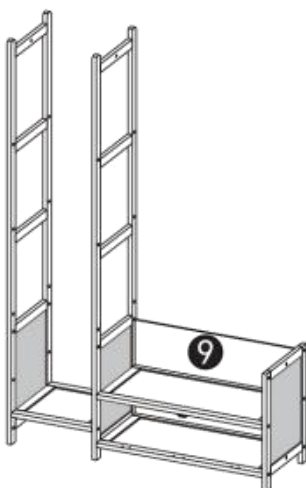
Step 7

Attach the double slot board (6) to the corresponding position with short hexagon screws (B) as shown in the picture.



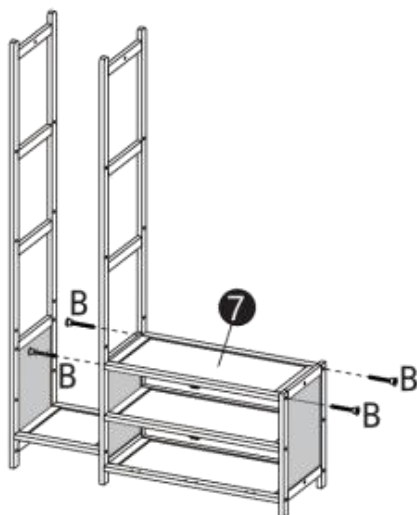
Step 8

Assemble the back panel (9) into the corresponding position.



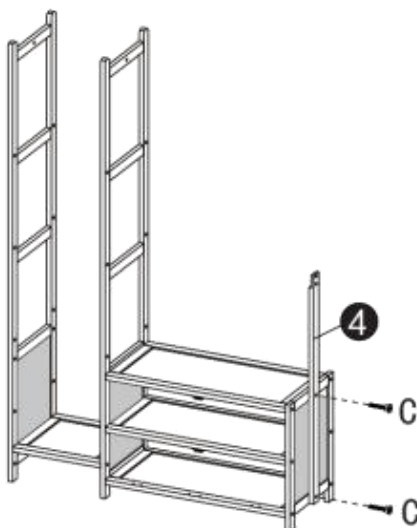
Step 9

Attach single slot board (7) to back panel (9) with short hexagon screws (B).



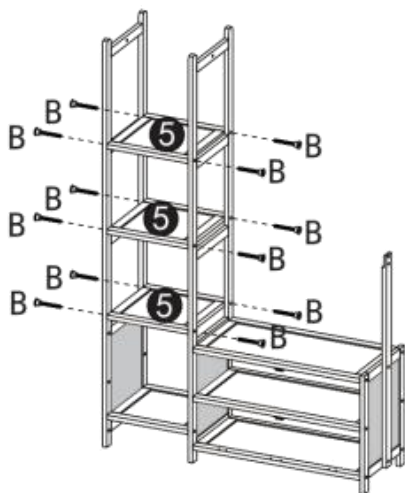
Step 10

Attach the short bracket (4) to the side of the clothes rail with short hexagon screws (C).



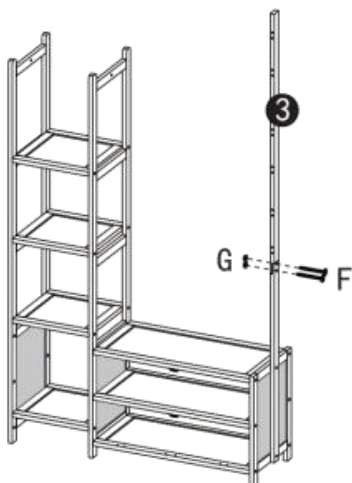
Step 11

Assemble three small brackets (5) to the clothes rail with short hexagon screws (B).



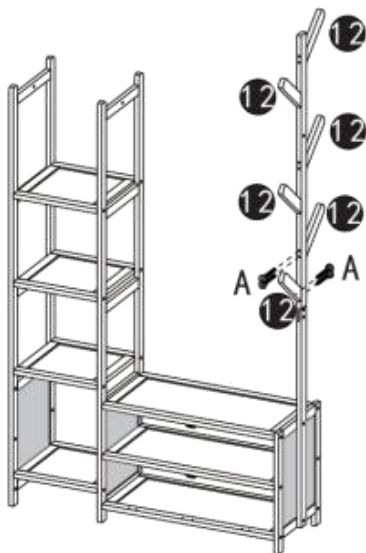
Step 12

Attach the long bracket (3) to the short bracket (4) with hexagon flat head screws (F) and nuts (G).



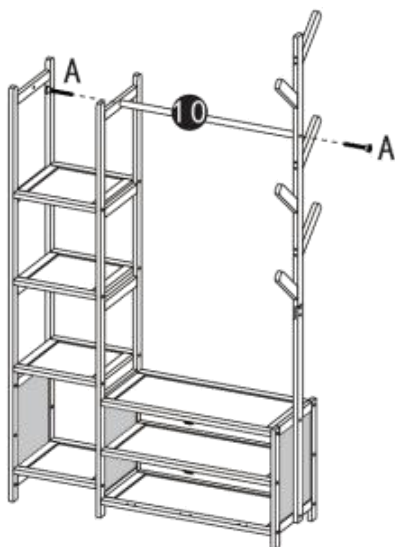
Step 13

Assemble six hooks (12) with long hexagon screws (A).



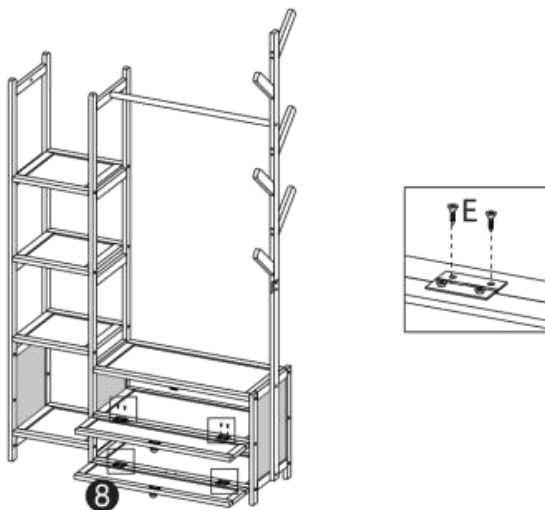
Step 14

Tighten the round bar (10) with long hexagon screws (A).



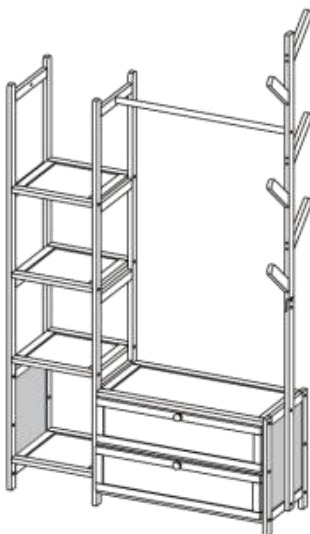
Step 15

Attach two doors (⑧) to the clothes rail.



Step 16

The assembly is finished.



CLEANING & CARE

- Wipe regularly with clean water and a damp, clean, soft white cloth.
- Only clean using a damp cloth and mild detergent, do not use bleach or abrasive cleaners.
- From time to time check that there are no loose screws on this unit. This product should not be discarded with household waste.

Living and Home

A Home is for Living in

For comfort and style update your living space.

Browse contemporary and classic designs and find the perfect home to your look and the perfect spot to lounge.

Put your feet up and sink into our stylish home decor.

We are mainly engaged in home, outdoor, home appliances, office, bathroom, provided high quality and affordable products for you. We value every one of our customers and our professional service team is always available to help you.

livingandhome.co.uk