



GLASS COFFEE TABLE

SAFETY & WARNINGS

Warning

- Do not place very hot or very cold items on the glass surface(s) unless adequately thick table mats are used to prevent such items from coming into contact with the glass.
- Do not sit or stand upon the glass surface(s).
- Do not use the glass as a chopping surface. Do not strike the glass with hard or pointed items.
- When cleaning glass panels use a damp cloth or leather with washing up liquid or soft soap if necessary, do not use washing powders or any other substance containing abrasives since these substances scratch glass.

Safety Information

- Check you have all the components and tools listed on pages 3.
- Remove all fittings from the plastic bags and separate them into their groups.
- Keep children and animals away from the work area small parts could choke if swallowed.
- Make sure you have enough space to layout the parts before starting.
- Do not stand or put excessive weight on the product this could cause damage.
- Parts of the assembly will be easier with 2 people.
- Place the product on flat and steady surface during use.
- Assemble on a soft level surface to avoid damaging the unit or your floor.
- Only upon completion of the assembly should all fixing points be fully tightened.

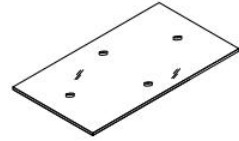
COMPONENTS



A: Leg (x2)



B: Leg (x2)



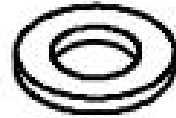
C: Tempered Glass
Tabletop (x1)



D: Connector (x1)



E: Screw (x4)
M8 x13



F: Washer (x8)
 $\Phi 8 \times \phi 19 \times 1.0$



G: Nut (x4)
M8



H: Dowel (x4)
M8 x 20



I: Allen Key (x1)
5#



J: Hexagon Socket
Wrench (x1)
M8

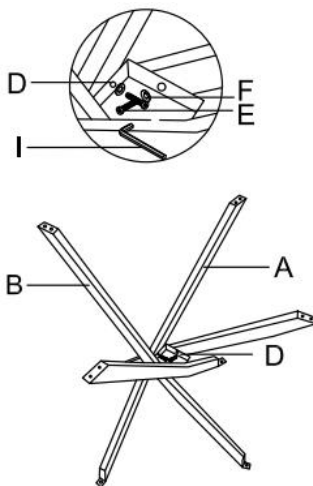


K: Glide (x4)
M6

INSTALLATION

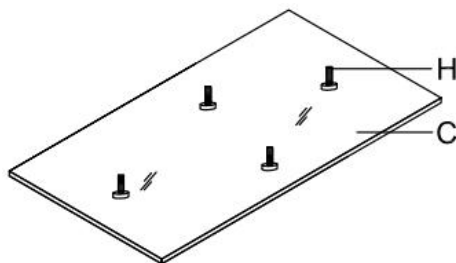
Step 1

Connect four legs (A,B) together with connector (D), washers (F) and screws (E) using Allen key (I).



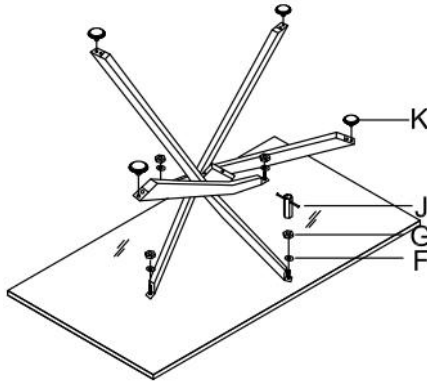
Step 2

Place the tempered glass tabletop (C) upside down on a flat and non-abrasive surface. Insert dowels (H) into tempered glass tabletop (C).



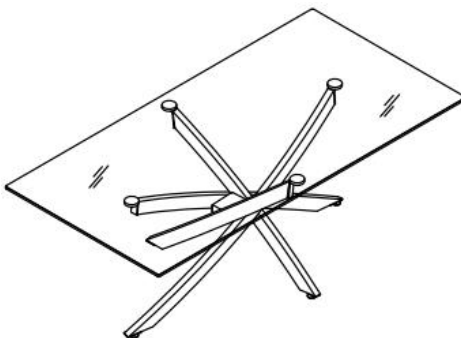
Step 3

Attach table legs (A,B) to the tempered glass tabletop (C) with washers (F) and nuts (G) using the hexagon socket wrench (J). Attach glides (K) to the bottom of table legs (A,B).



Step 4

Put the table face up carefully.



CLEANING & CARE

- Wipe regularly with clean water and a damp, clean, soft white cloth.
- General cleaning can be done as needed with a mild detergent and water solution.
- Always rinse with clean water and dry. For heavy soiling, dampen a soft white cloth or soft bristle brush. Use care as scrubbing can damage the surface.
- DO NOT use any cleaners with corrosive ingredients (lye, acids or ammonia).
- This product should not be discarded with household waste. Take to your local authority waste disposal centre.

Living and Home

A Home is for Living in

For comfort and style update your living space.

Browse contemporary and classic designs and find the perfect home to your look and the perfect spot to lounge.

Put your feet up and sink into our stylish home decor.

We are mainly engaged in home, outdoor, home appliances, office, bathroom, provided high quality and affordable products for you. We value every one of our customers and our professional service team is always available to help you.

livingandhome.co.uk