



WOODEN CLOTHES RAIL

SAFETY & WARNINGS

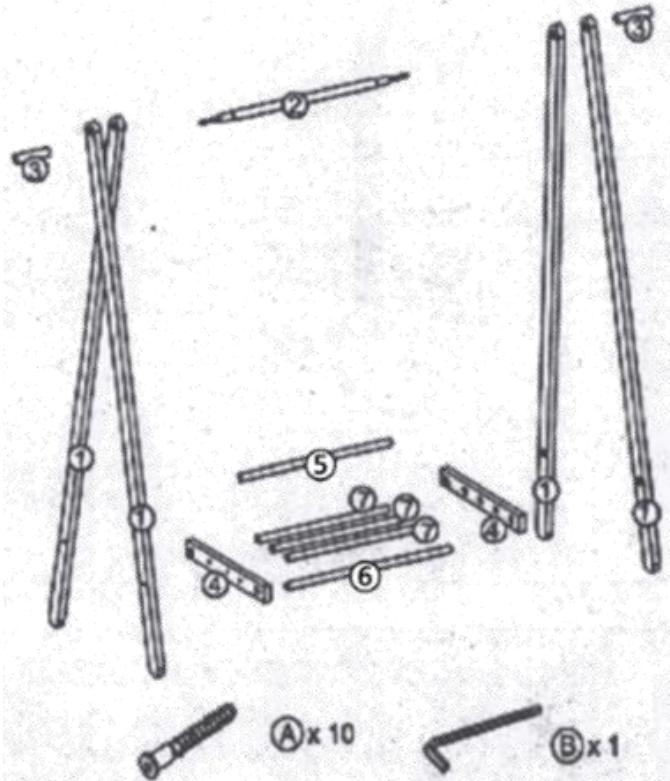
Warning

- Check you have all the components and tools listed on page 3.
- Remove all fittings from the plastic bags and separate them into their groups.
- Keep children and animals away from the work area, small parts could choke if swallowed.
- Make sure you have enough space to layout the parts before starting.
- Assemble on a soft level surface to avoid damaging the unit or your floor.
- Parts of the assembly will be easier with 2 people.
- If using power tools, please follow the safety instructions supplied with the tools.
- Assemble the unit as close to its final position (in the same room) as possible.
- We do not recommend the use of power drill/drivers for inserting screws, as this could damage the unit. Only use hand screwdrivers.
- Dispose of all packaging carefully and responsibly.

Assembly Tips

- Please read the instruction manual carefully to understand the matters needing attention in the process of installation and maintenance.
- Strictly follow the assembly instructions.
- Carefully check whether the parts in the box are intact.
- Assemble on the box so as not to damage the product and room floor.
- Use of mismatched parts may cause damage to the product. Please confirm the model of various parts before assembly.

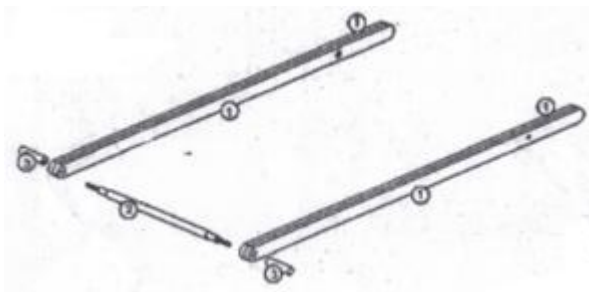
COMPONENTS



INSTALLATION

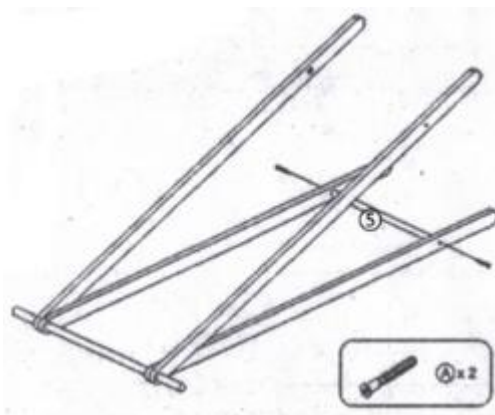
Step 1

Attach ② to two ① with ③ as shown in the figure.



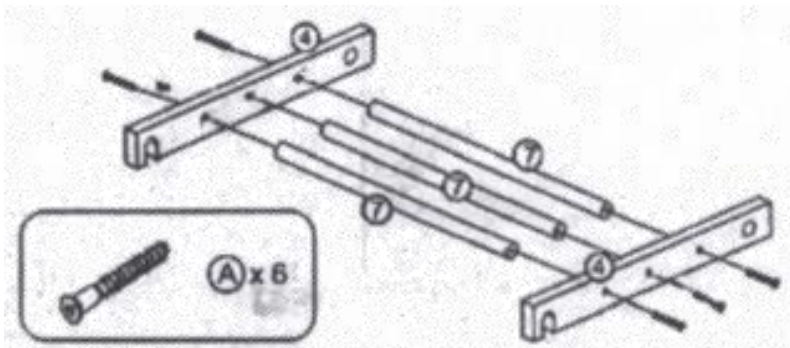
Step 2

Install the other two ① as shown in the picture, and then connect ⑤ to the bottom of the two ① with two A.



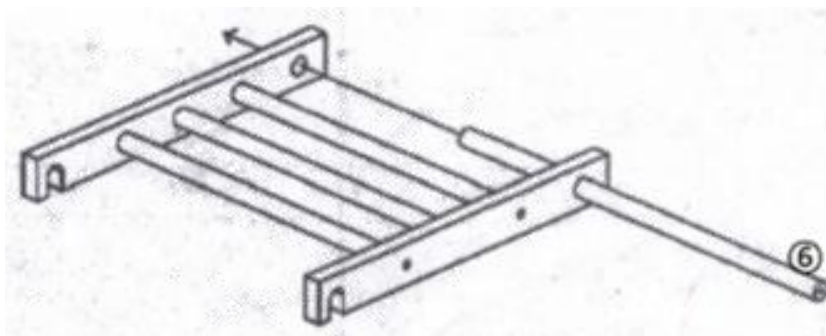
Step 3

Attach three ⑦ to two ④ with six A as shown.



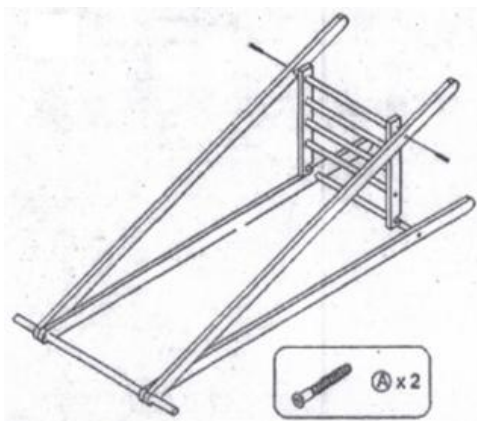
Step 4

Insert ⑥ through the holes of two ④.



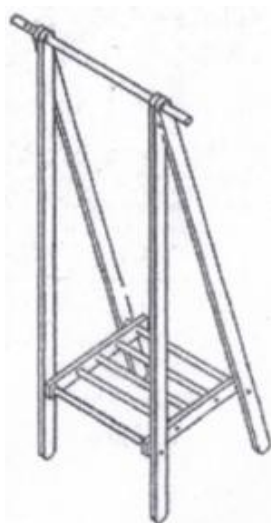
Step 5

Attach the frame of step 4 to the frame of step 2 with two A as the picture shown.



Step 6

Turn the wooden coat and hat stand in its upright position, it is ready for use.



CLEANING & CARE

- Wipe regularly with clean water and a damp, clean, soft white cloth.
- Only clean using a damp cloth and mild detergent, do not use bleach or abrasive cleaners.
- From time to time check that there are no loose screws on this unit. This product should not be discarded with household waste.

Living and Home

A Home is for Living in

For comfort and style update your living space.

Browse contemporary and classic designs and find the perfect home to your look and the perfect spot to lounge.

Put your feet up and sink into our stylish home decor.

We are mainly engaged in home, outdoor, home appliances, office, bathroom, provided high quality and affordable products for you. We value every one of our customers and our professional service team is always available to help you.

livingandhome.co.uk