

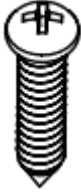


PULL-OUT TRASH CAN

SAFETY & WARNINGS

- Some parts may have sharp edges, care must be taken when handling various components to avoid personal injury.
- Do not manually force the lid to close, this can cause damage to the internal parts that allow the lid to open and close.
- Do not place trash can in direct sunlight or a heavily moisturized environment.

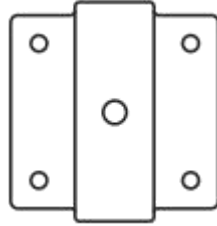
COMPONENTS



Short Screw (x16)



Long Screw (x6)

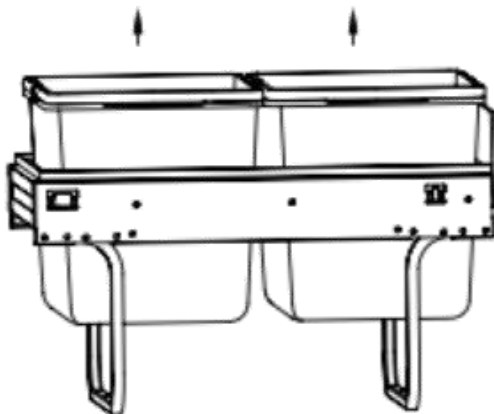


Metal Brackets (x4)

INSTALLATION

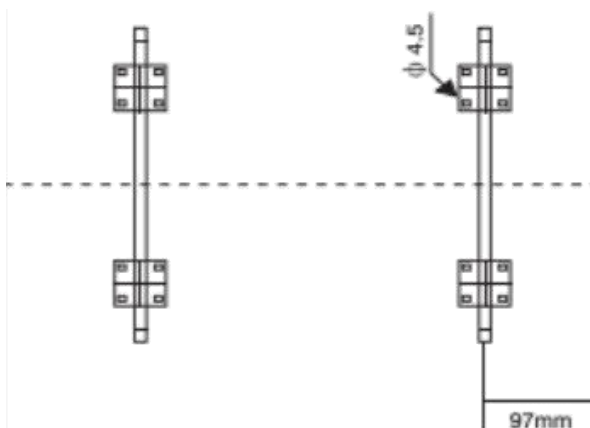
Step 1

Put the kitchen trash can into the metal frame.



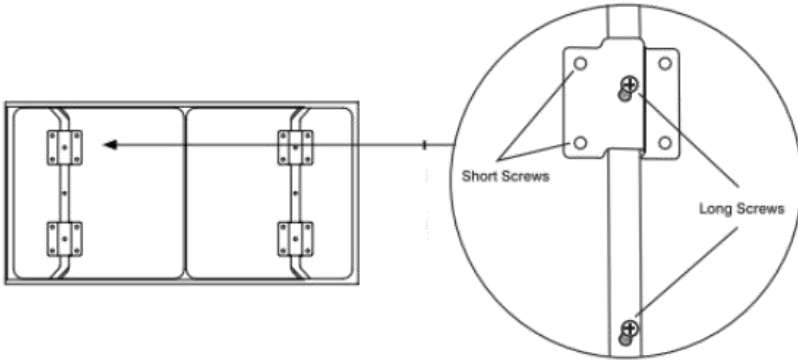
Step 2

Place the four metal brackets in the corresponding positions and place the kitchen trash can at a suitable distance (97mm) as shown.



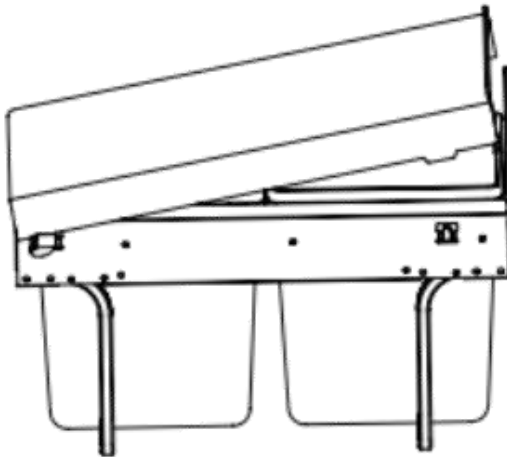
Step 3

Tighten the metal brackets to the kitchen trash can with short screws and long screws respectively.



Step 4

Close the lid on and finish assembly.



CLEANING & CARE

- To clean, wipe with a soft, slightly moist cloth.
- Dry the product after cleaning.
- Never use corrosive detergents, wire brushes, abrasive scourers, metal or sharp utensils to clean the product.

Living and Home

A Home is for Living in

For comfort and style update your living space.

Browse contemporary and classic designs and find the perfect home to your look and the perfect spot to lounge.

Put your feet up and sink into our stylish home decor.

We are mainly engaged in home, outdoor, home appliances, office, bathroom, provided high quality and affordable products for you. We value every one of our customers and our professional service team is always available to help you.

livingandhome.co.uk