

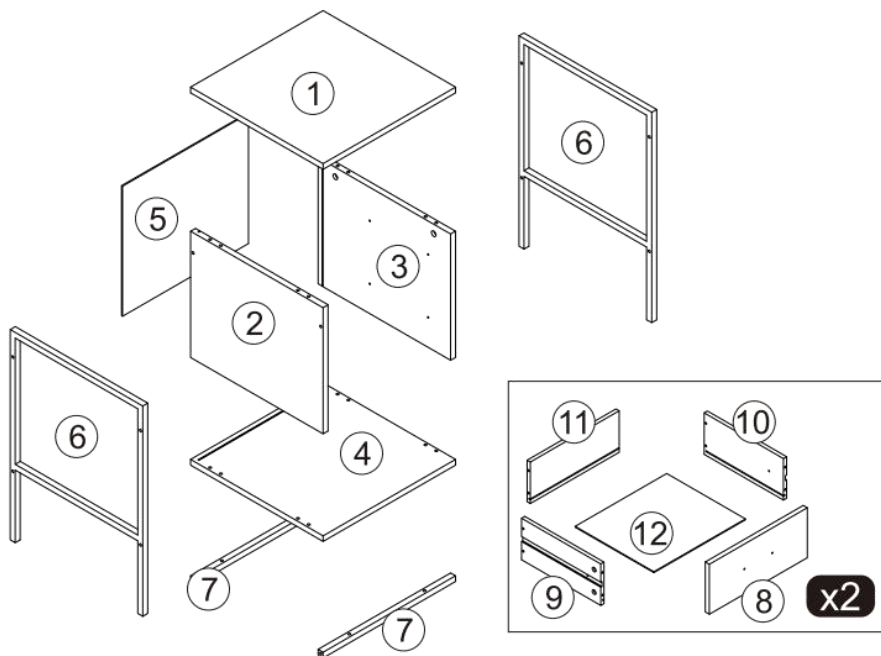


# **SIDE TABLE**

# SAFETY INFORMATION

- Please read the entire manual before starting to assemble and/or using this product. Follow the manual thoroughly and keep it for further reference.
- In order to avoid scratching, this furniture should be assembled on a soft layer-could be a rug.
- Try to find a partner to install with you, which can speed up the installation efficiency and shorten the time.
- During assembly children should be kept away from the product due to possible risk of injury.
- Keep the handtools close at hand. Do not use power tools to assemble your furniture. They may scratch or damage the parts.

# PART LIST



# COMPONENTS



A: (x12)



B: (x12)



C: (x8)



D: (x8)



E: (x12)



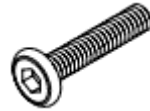
F: (x4)



G: (x4)



H: (x4)



I: (x4)



J: (x4)



K: (x2)



L: (x1)

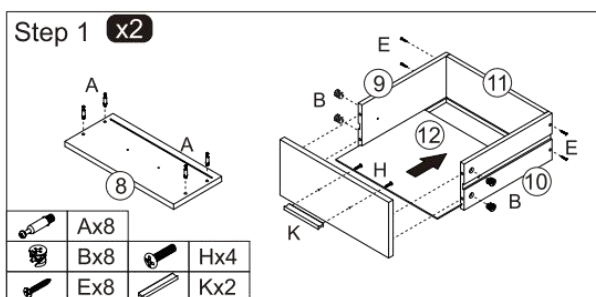


M: (x4)

# INSTALLATION

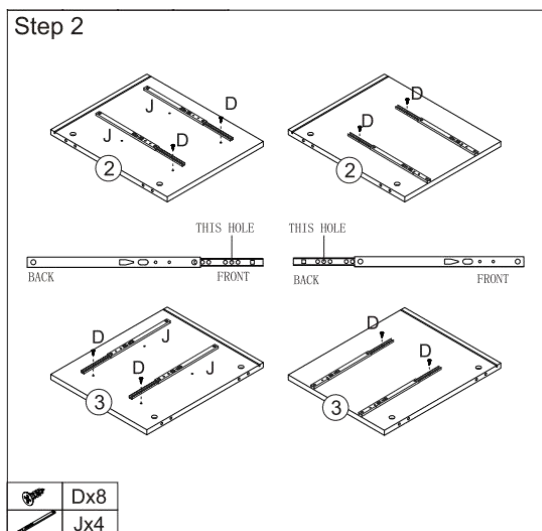
## Step 1:

Place ⑧ on a non-abrasive surface. Insert A into ⑧ as shown. Attach ⑨ and ⑩ to ⑪ with E. Slide ⑫ along the slot as shown. Attach K to the front panel of the drawer with H, then tighten the front panel of the drawer to ⑨ and ⑩ with B.



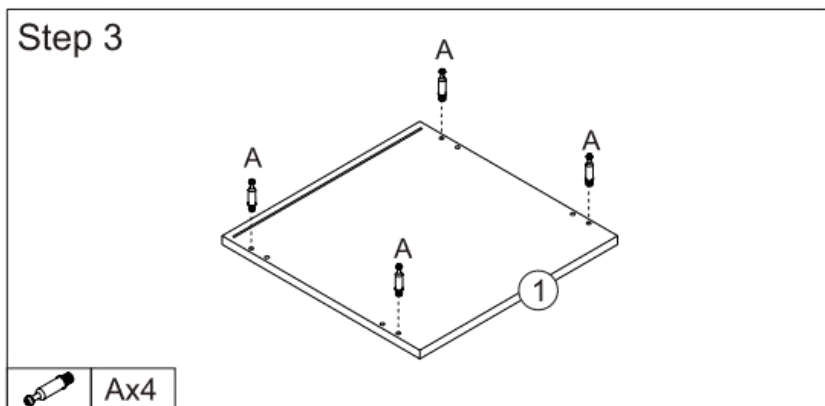
## Step 2:

Install J to the corresponding positions of ② and ③ with D as shown in the picture. (Please pay attention to the positions of the holes on J.)



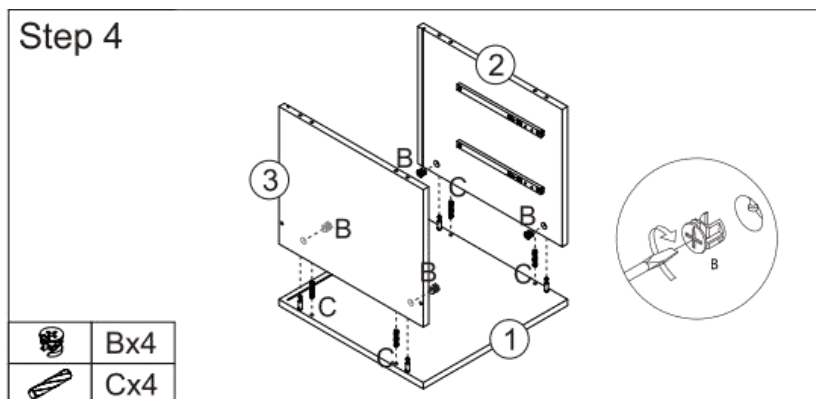
### Step 3:

Insert A into the corresponding positions of ①.



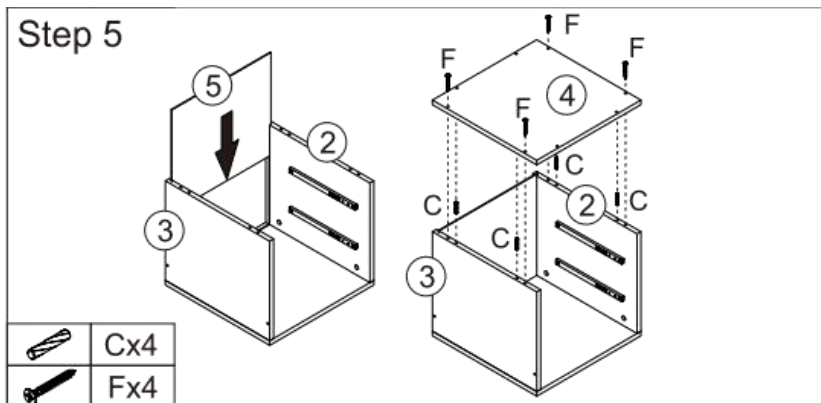
### Step 4:

Insert C into ① as shown. Attach ② and ③ to ① with B.



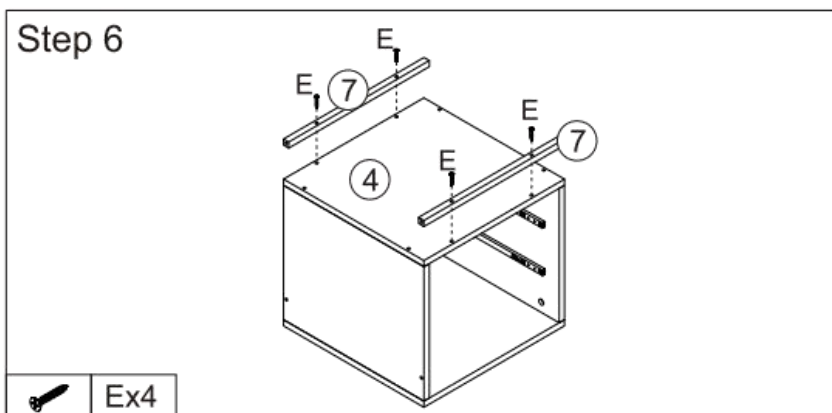
### Step 5:

Slide ⑤ along the slots of ② and ③ as shown. Attach ④ to the basic frame with F and C.



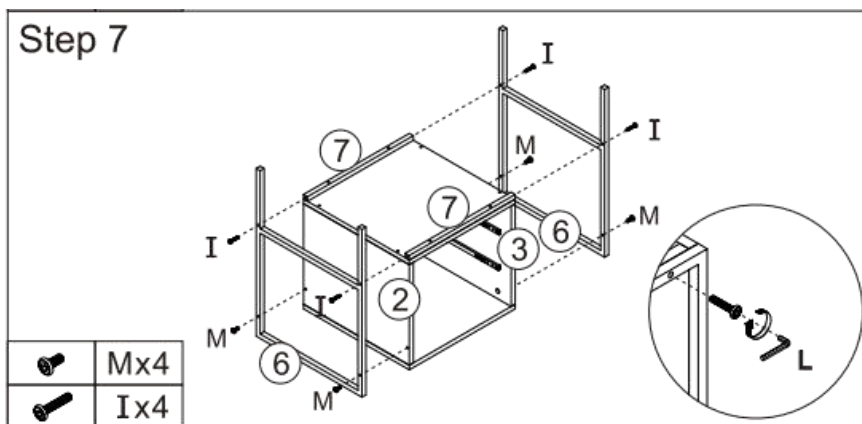
### Step 6:

Attach two ⑦ to the assembled part of step 5 with E.



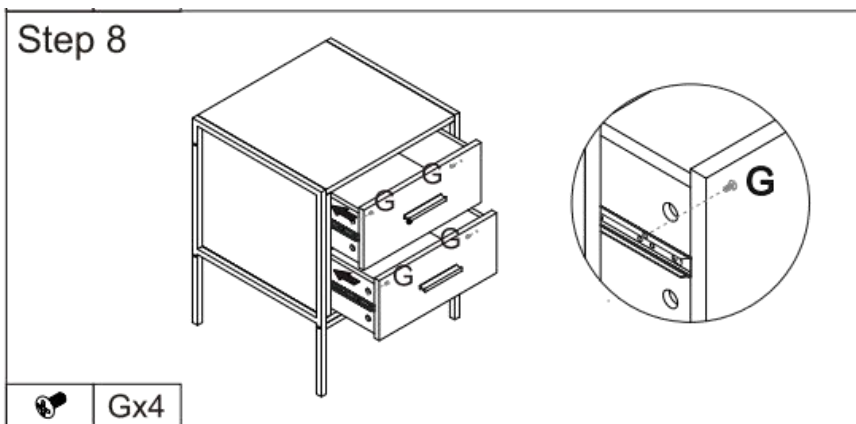
### Step 7:

Attach two ⑥ on both sides of the assembled part of step 6 with M and I.



### Step 8:

Insert G to the corresponding positions as shown. Slide two drawers into the side table and the assembly is finished.



# MAINTENANCE

- Use a soft, clean cloth that will not scratch the surface when dusting.
- Use of furniture polish is not necessary.
- Should you choose to use polish, test first in an inconspicuous area.
- Using solvents of any kind on your furniture may damage the finish.
- Liquid spills should be removed immediately. Using a soft clean cloth, blot the spill gently. Avoid rubbing.
- Check bolts/screws periodically and tighten them if necessary.

## **Living and Home**

### **A Home is for Living in**

For comfort and style update your living space.

Browse contemporary and classic designs and find the perfect home to your look and the perfect spot to lounge.

Put your feet up and sink into our stylish home decor.

We are mainly engaged in home, outdoor, home appliances, office, bathroom, provided high quality and affordable products for you. We value every one of our customers and our professional service team is always available to help you.

[livingandhome.co.uk](http://livingandhome.co.uk)