

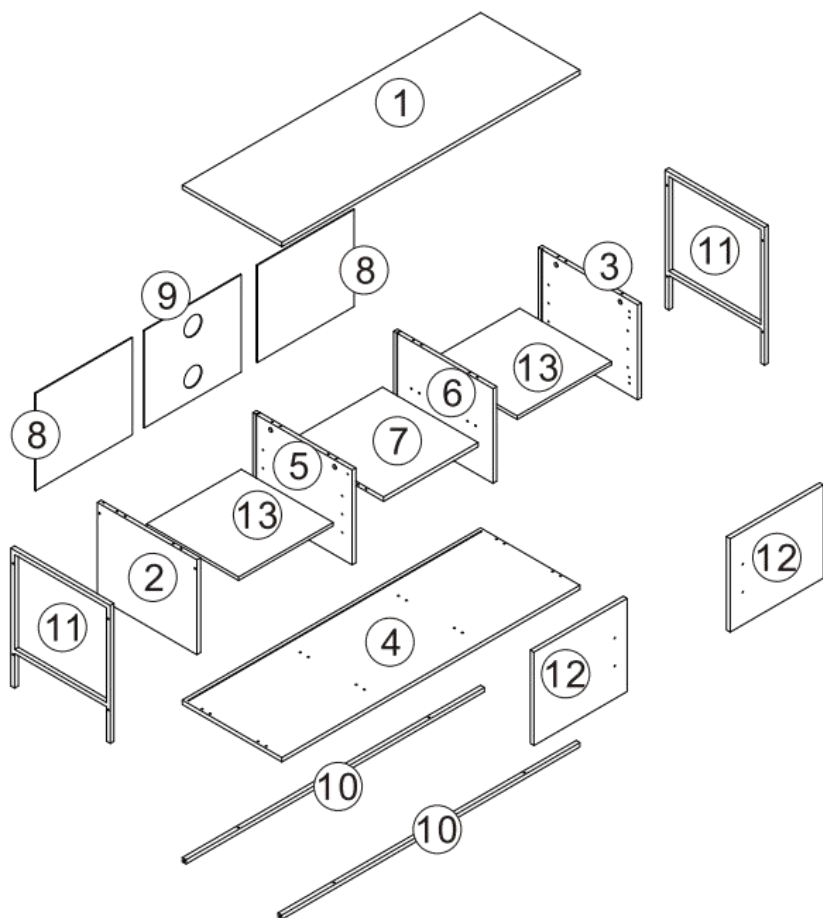


TV STAND

SAFETY INFORMATION

- Please read the entire manual before starting to assemble and/or using this product. Follow the manual thoroughly and keep it for further reference.
- In order to avoid scratching, this furniture should be assembled on a soft layer-could be a rug.
- Try to find a partner to install with you, which can speed up the installation efficiency and shorten the time.
- During assembly children should be kept away from the product due to possible risk of injury.
- Keep the handtools close at hand. Do not use power tools to assemble your furniture. They may scratch or damage the parts.

PART LIST



COMPONENTS



A: (x12)



B: (x12)



C: (x20)



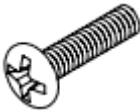
D: (x16)



E: (x4)



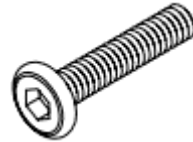
F: (x8)



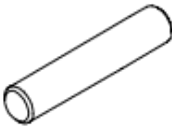
G: (x4)



H: (x4)



I: (x4)



J: (x10)



K: (x2)



L: (x4)

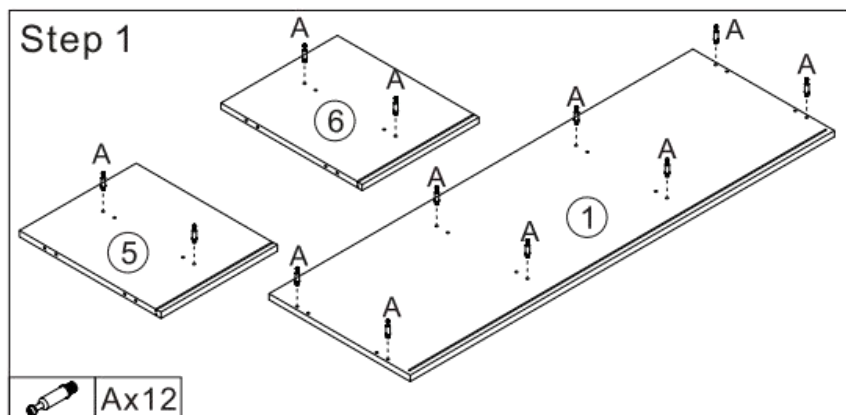


M: (x1)

INSTALLATION

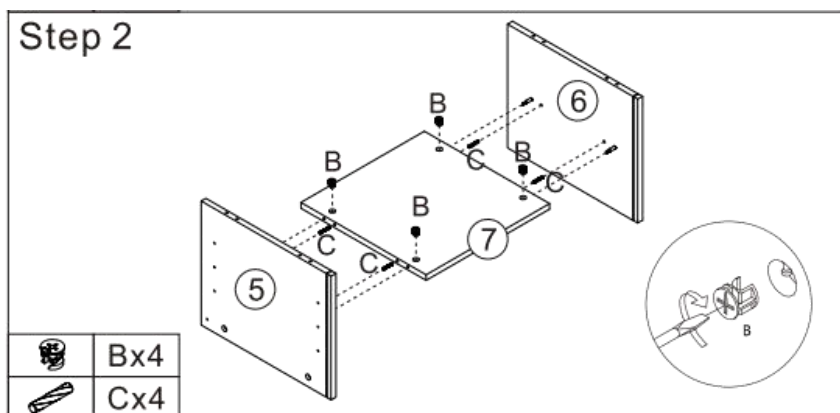
Step 1:

Insert A to the corresponding positions of ①, ⑤ and ⑥ as shown.



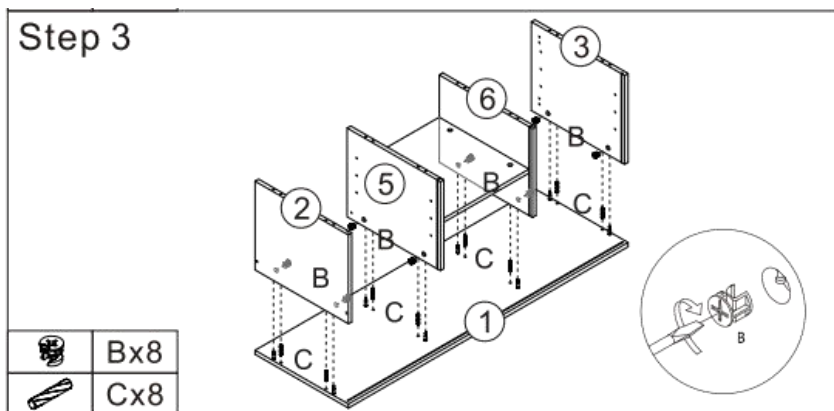
Step 2:

Insert C into ⑦. Attach ⑤ and ⑥ to ⑦ with B. Tighten B with a screwdriver by turning clockwise.



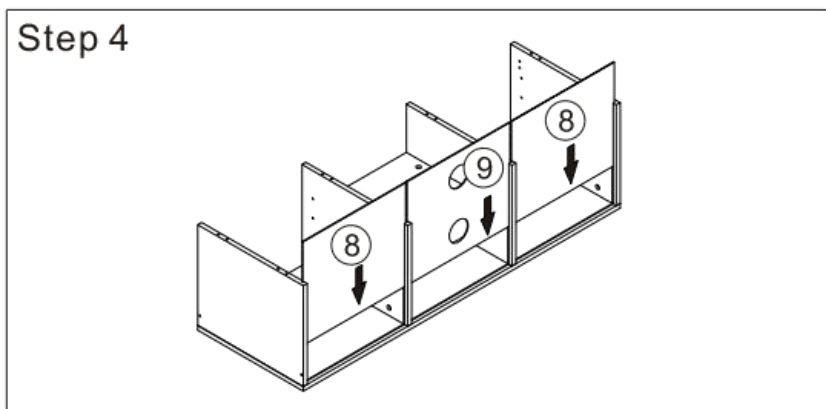
Step 3:

Insert C into ①. Attach ②, ⑤, ⑥ and ③ to ① with B as shown in the picture. Tighten B with a screwdriver by turning clockwise.



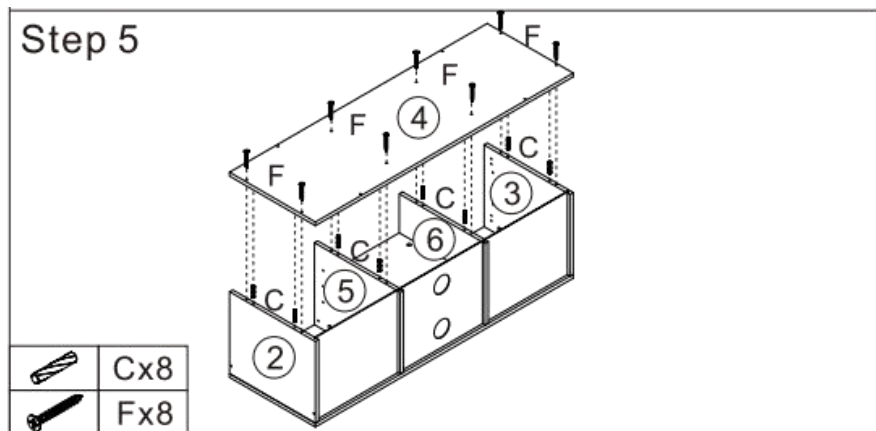
Step 4:

Slide ⑨ and two ⑧ to the assembled part of step 3 respectively as shown.



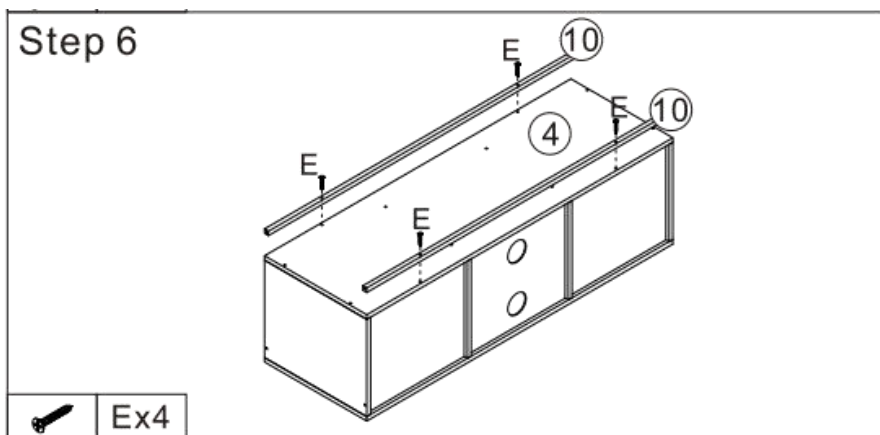
Step 5:

Attach ④ to the assembled part of step 4 with C and F.



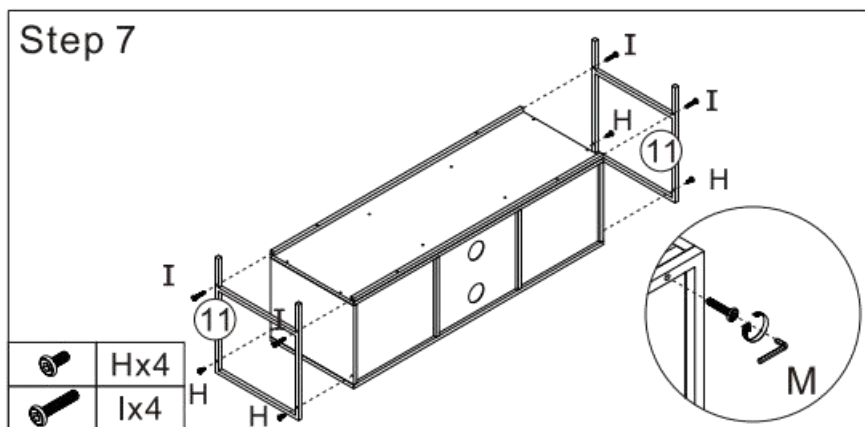
Step 6

Attach two ⑩ to ④ with E



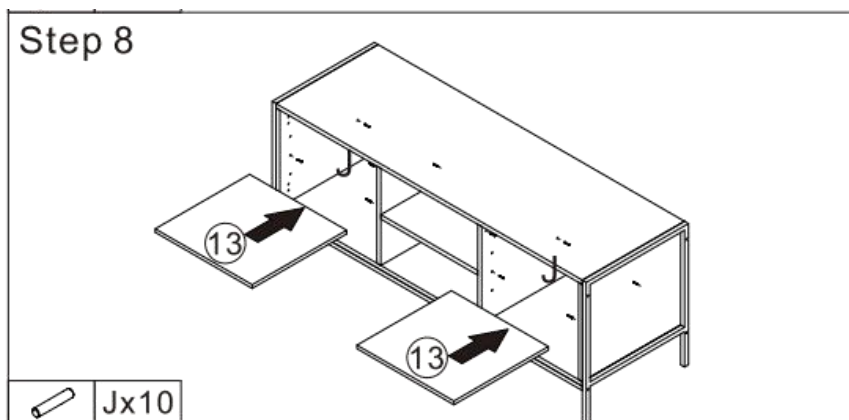
Step 7:

Attach two ⑪ on both sides of the assembled part of step 6 with H and I. Use M to tighten by turning anticlockwise.



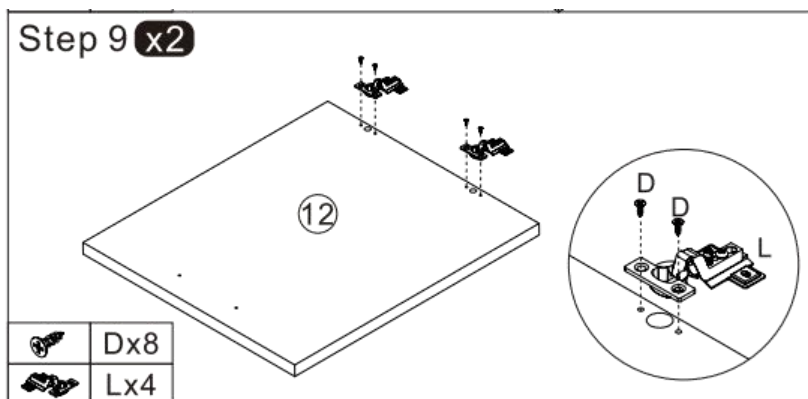
Step 8:

Install two ⑬ to the corresponding positions with J as shown.



Step 9:

Attach L to ⑫ with D. Repeat this step for another time.



MAINTENANCE

- Use a soft, clean cloth that will not scratch the surface when dusting.
- Use of furniture polish is not necessary.
- Should you choose to use polish, test first in an inconspicuous area.
- Using solvents of any kind on your furniture may damage the finish.
- Liquid spills should be removed immediately. Using a soft clean cloth, blot the spill gently. Avoid rubbing.
- Check bolts/screws periodically and tighten them if necessary.

Living and Home

A Home is for Living in

For comfort and style update your living space.

Browse contemporary and classic designs and find the perfect home to your look and the perfect spot to lounge.

Put your feet up and sink into our stylish home decor.

We are mainly engaged in home, outdoor, home appliances, office, bathroom, provided high quality and affordable products for you. We value every one of our customers and our professional service team is always available to help you.

livingandhome.co.uk