

LED WALL-MOUNTED MIRROR

INSTALLATION MANUAL



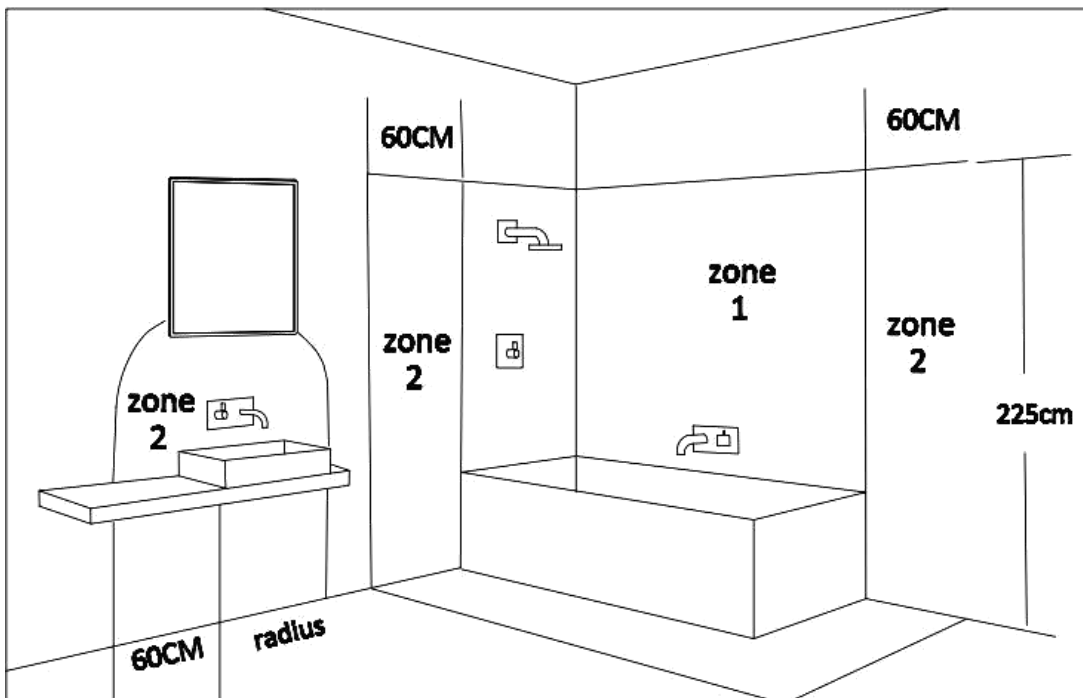
***PLEASE READ ALL MANUAL INSTRUCTION CAREFULLY BEFORE INSTALLATION.**

***INSTALLATION SHOULD BE CARRIED OUT BY A QUALIFIED ELECTRICIAN.**

***PLEASE ENSURE THAT YOUR MAINS ELECTRICITY SUPPLY IS ISOLATED BEFORE COMMENCING INSTALLATION.**

IMPORTANT FOR INSTALLATION IN BATHROOM

- This product can be installed in bathroom zone 2 (as defined by IEE Wiring Regulations) and beyond. See bathroom diagram below:



OUTSIDE ZONES

- This product is for indoor use only.
- This product requires an earth connection.
- This product is wall mounted and must be fixed on a solid wall, composite panel or timber frame.
- Ensure connection are turned off at the consumer unit or fuse board before installing or carrying out any maintenance.
- Please reserve minimum distance of 150 mm between the infrared sensor and an adjacent countertop or obstruction or any other barrier to ensure correct function of the sensor switch. (For models with sensor switches).
- When working at height, please use a suitable platform to work from.

- Ensure that the fixing location is able to take the weight of the complete fitting.
- Wear suitable eye protection when drilling. Be careful when using power tools near water.
- For new installations, check for any electrical cables or pipe work (gas/water) in the vicinity of the intended mounting point before proceeding with the installation.
- For ease of installation, the assistance of one or two additional persons is recommended.
- Irregularities in wall surface may cause distortion of product body when mounted. Place shims between product body and wall if necessary.

IMPORTANT FOR MIRROR:

- DO NOT strike the mirror glass with hard or pointed items.
- It is recommended that the product is cleaned with a soft, dry, not abrasive cloth.
- DO NOT use cleaning agents or abrasive materials on any type of finished surface or exposed edges of the mirror.
- DO NOT use cleaners that contain solutions of ammonia, vinegar, or chlorine.
- DO NOT allow moisture to come into contact with the electrical components.
- DO NOT use powdered cleansers or steel wool.
- Apply cleaner to soft cloth and wipe mirror. Dry mirror thoroughly.
- Keep mirror and the back box body or cabinet body dry.
- A well ventilated bathroom is important.

This Bathroom Mirror / Cabinet is not available in the following situations:

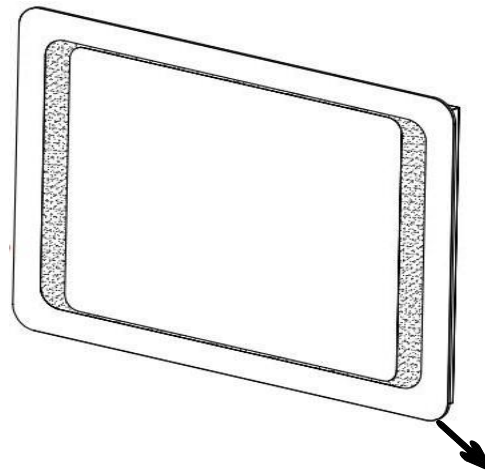
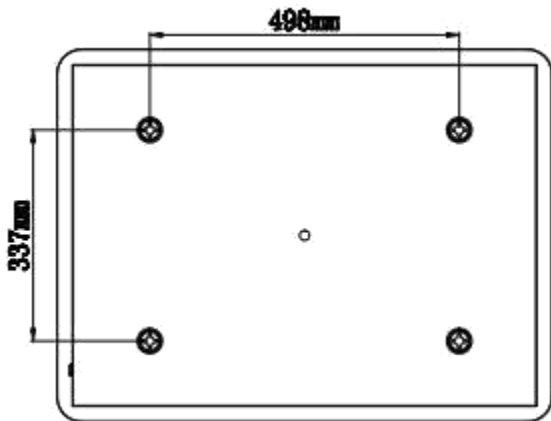
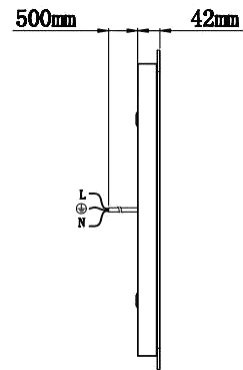
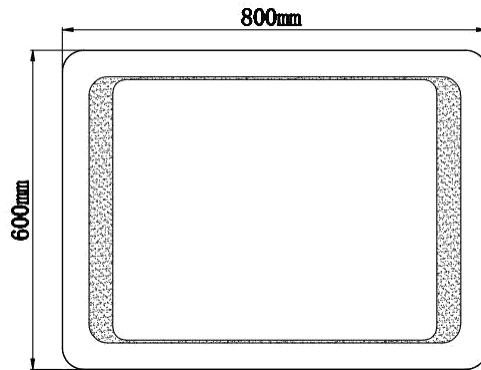
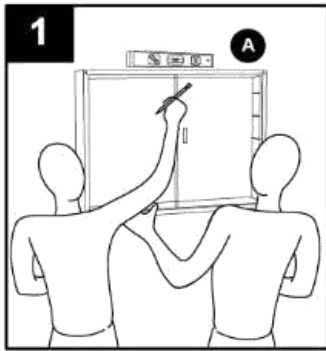
- Incorrect use. Incorrect installation. Tampering.
- Incorrect maintenance or lack of maintenance.
- Use of unsuitable cleaning products or use of cleaning products in the wrong way.
- For chemical, electrical or electrochemical damage.
- Incorrect power connection or using wrong voltage.
- Damage by hard or pointed objects.
- Please keep this manual for future reference.

To prevent possible harm to the environment or human health from uncontrolled waste disposal, please separate any such product from other waste types and recycle it responsibly at your local facilities. Please check with your local authority, recycling center or retailer for recycling advice. Thank you.

INSTALLATION

1. Positioning

Please measure the height and position of the mirror/cabinet on the wall. Ensure the mounting plate is level using a spirit-level, then mark the position of the holes with a pencil.



A.Sensor Switch

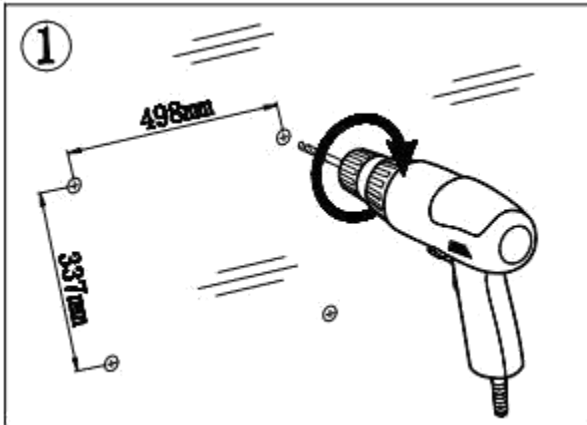
A. Sensor Switch



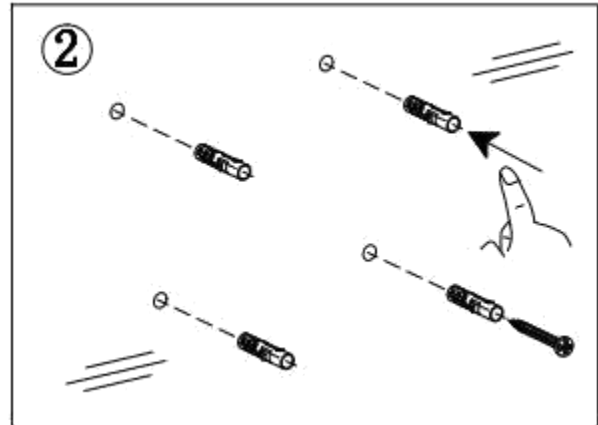
Please reserve at least 150 mm distance from the wall at the side of the sensor switch!
(More space may need to reserved for different wall surfaces, depending on the on-site condition.)

2. Fixing on Wall

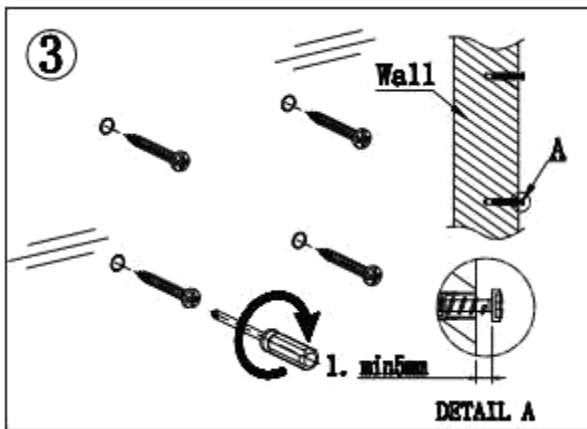
After marking the positions on the wall, follow the picture instruction as below.



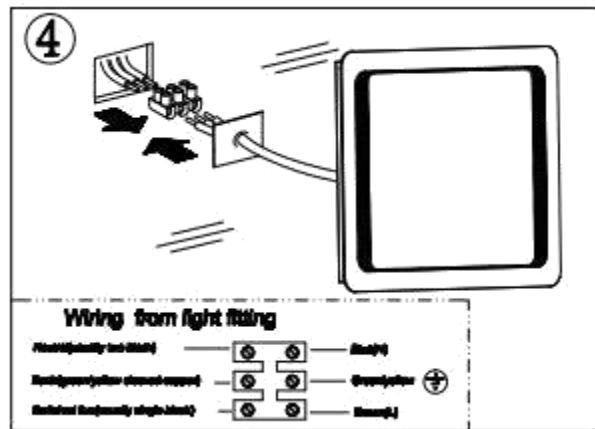
2.1 Drill four holes on the wall in position.



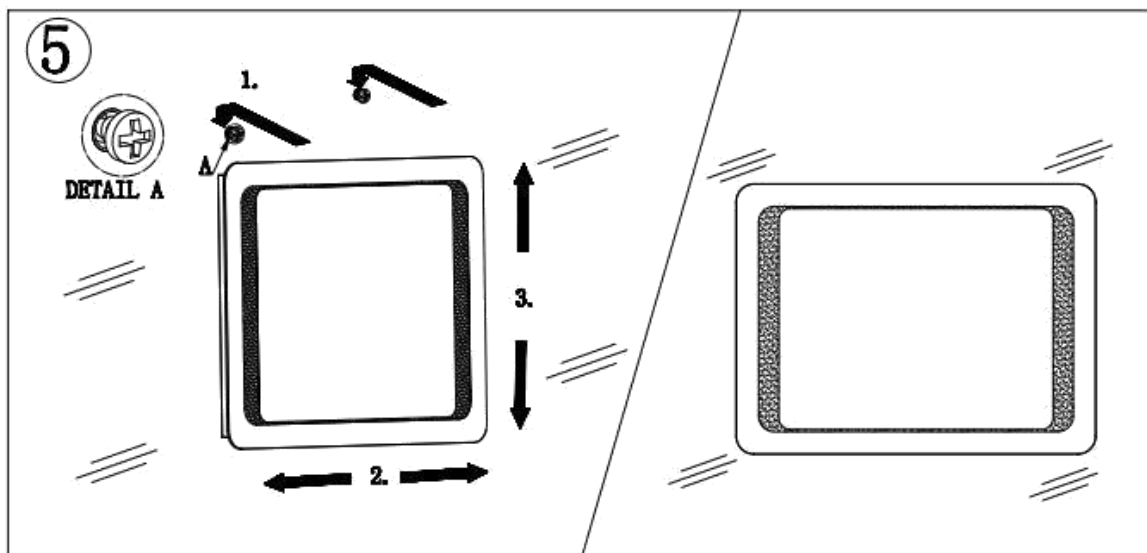
2.2 Insert the expansion plugs into the wall.



2.3 Install the screws into the wall.



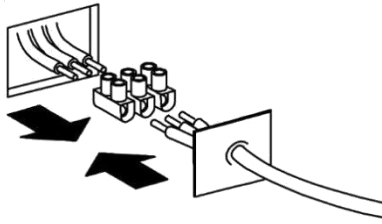
2.4 Connect the wires from the wall.



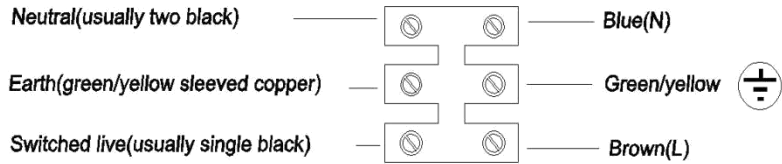
2.5 Hang the mirror directly onto the screws and adjust the position to make it stable.

3. Wiring from Light Fitting

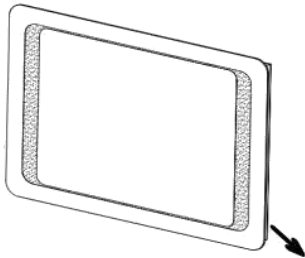
Connect the wiring from the back of the chassis in right way.



Wiring from light fitting



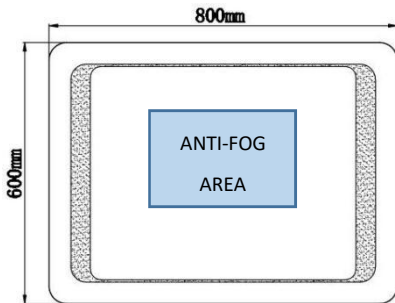
4. Sensor Switch of LED Lighting



A.Sensor Switch

The LED light switch of the mirror is controlled by the hand movement over the switch in the effective working range to turn on and off. The sensitivity of the switch may be affected by the actual working environment and personal habits. Please try some more times to master the appropriate speed of hand movement over the switch.

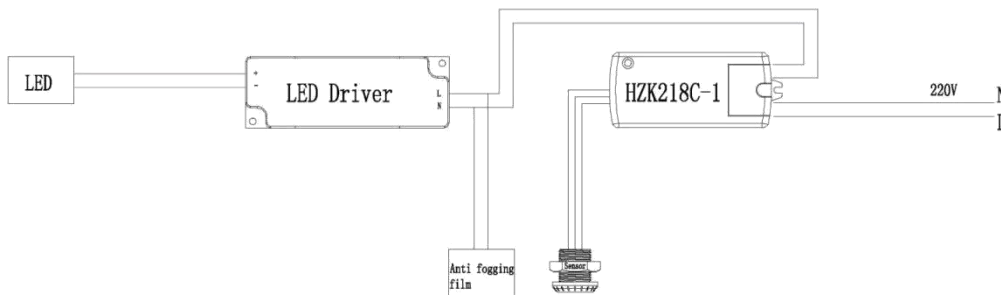
5. Anti-fog Function



By waving over the sensor switch, the LED lighting and the anti-fog function will be on/off accordingly.

The demister takes at least 5-10 minutes to get rid of fog after the LED light is on. Please turn the LED on at least 5 minutes in advance before using the anti-fog function or as per your needs.

MODEL : MC-YSG04



PARAMETERS

Model No.: MC-YSG04

Input Voltage (V): 220V

LED/Clock Voltage: 12V

LED/Clock Current (A): 2.1A

Total Power (W): 78W

Shaver Socket Voltage (V) & Current (A) & Power (W): No Shaver Socket

No.of LEDs: 120

Lumin of LED (LM): 2760

LED Color: 6500K

Anti-fog Function: Yes

Mirror Thickness: 5mm

Protection Level: IP44

Living and Home
A Home is for Living in

For comfort and style update your living space.

Browse contemporary and classic designs and find the perfect home to your look and the perfect spot to lounge.

Put your feet up and sink into our stylish home decor.

We are mainly engaged in home, outdoor, home appliances, office, bathroom, provided high quality and affordable products for you. We value every one of our customers and our professional service team is always available to help you.

livingandhome.co.uk