



PERGOLA

ASSEMBLY GUIDE

- We strongly recommend the use of work gloves during assembly.
- Do not attempt to assemble the PERGOLA in windy or wet conditions.
- Dispose of all plastic bags safely and keep them out of reach of children.
- The PERGOLA must be positioned and fixed on a flat level surface.
- Do not lean against or push the PERGOLA during construction.
- Keep children away from the assembly area.
- Do not position your PERGOLA in an area exposed to excessive wind.
- Do not attempt to assemble this PERGOLA if you are tired, have taken drugs or alcohol or if you are prone to dizzy spells.
- If using a stepladder or power tools ensure that you follow the manufacturer's safety advice.
- Hot items such as recently used grills, blowtorches etc. must not be stored in the PERGOLA.
- Ensure there are no hidden pipes or cables in the ground before inserting the pegs.
- This is a multi-part assembly, allow at least 1.5 hours for assembly.
- Selecting a site--choose a sunny level position away from overhanging trees.
- If you are fixing your PERGOLA directly to a solid concrete foundation use the pre-drilled holes in the metal base supplied.
- The component parts should be checked and laid out close to hand.
- Keep all small parts (screws etc.) in a bowl so they do not get lost.

Weather Protection:

- **WARNING:** If there is lightening, do not stay in or under the product. The frames are constructed of metal, which is conductive, and may cause serious damage.
- When wind power reaches 40mph or above, you may need to set up defense equipment and fix the columns. To fix the columns, use a strong rope or cable and connect to the four angles of the anchors with a block inserted into the soil or tied to a nearby tree at least 4in. in diameter. When wind decreases, please remove safety measures of ropes.
- Clear any leaves and branches on top of pergola to prevent the fabric from damage and dirty.

COMPONENTS



A: (x2)



A1: (x2)



B: (x1)



B1: (x1)



B2: (x1)



B3: (x1)



C: (x2)



C1: (x2)



C2: (x1)



C3: (x1)



C4: (x2)



C5: (x2)



C6: (x6)



D: (x1)



D1: (x1)



D2: (x5)



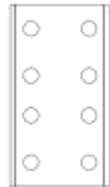
D3: (x5)



O: (x5)



P: (x10)



S: (x14)



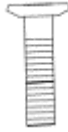
U: (x4)



U1: (x4)



E: (x4)



T: M6 x 16
(x9)



U: M6 x 35
(x6)



F: M6 x 30
(x3)



G: M6 x70
(x10)



H: M6 x 100
(x16)



I: M6 x 15
(x138)



J: M6 (x167)



K: M6 (x26)



L: M6 (x2)



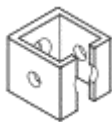
M: (x8)



N: (x2)



V: (x1)

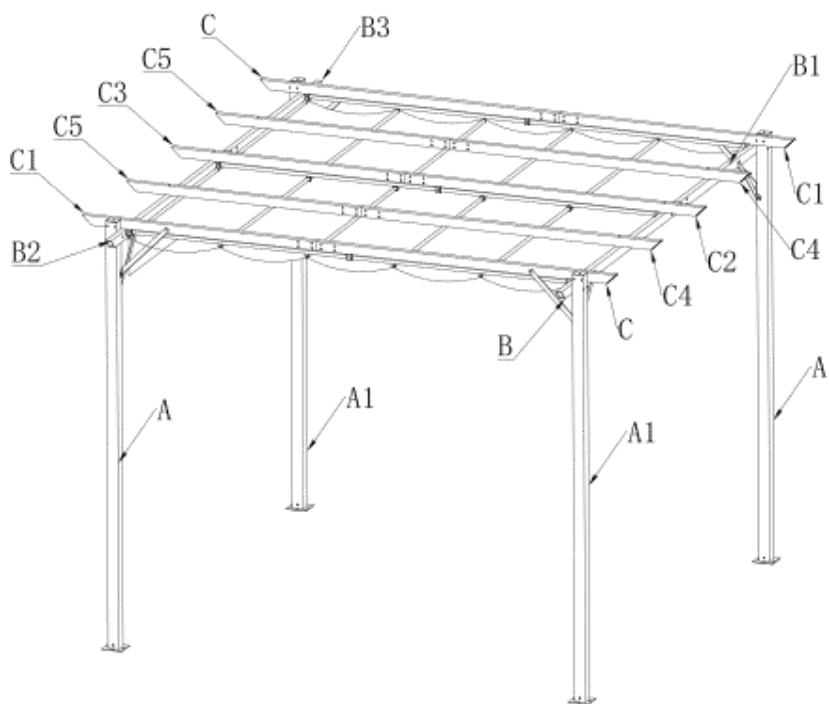


R: (x9)



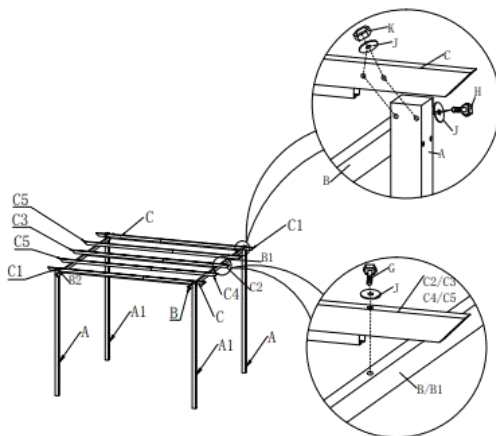
Q: (x1)

PART LIST



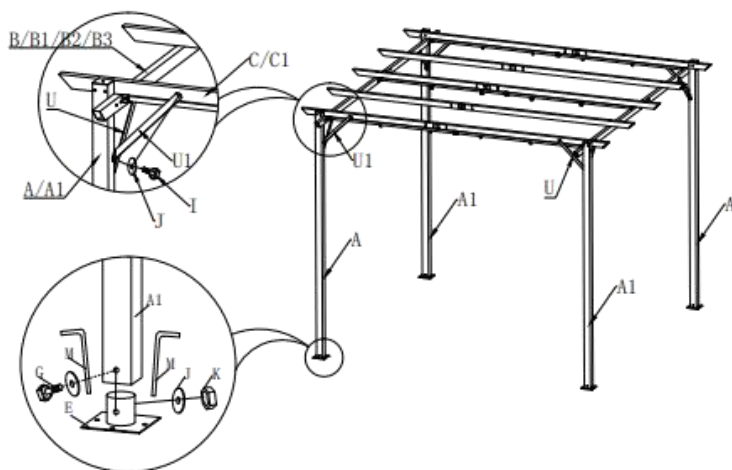
Step 3

Attach the top frame to the four pillars.



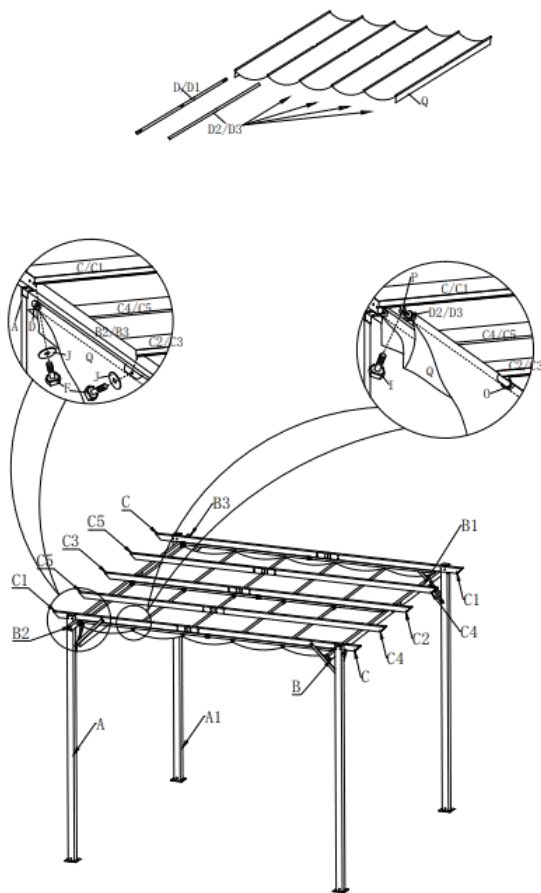
Step 4

Secure the top frame and four pillars and install foot protectors.



Step 5

Install the polyester cloth to the top.



CARE & MAINTENANCE

- When your PERGOLA needs cleaning, use a mild detergent solution and rinse with cool clean water. Do NOT use acetone, abrasive cleaners or other special detergents to clean the fabric.
- If the ground is not level, the unit may tilt to one side. If you find this is the case, please fix immediately to avoid damage.
- Please prevent adding any increased weight to the product.
- Avoid any vine/climbing plants, fruits, or vegetables from growing on the pergola as to not compromise the structure and durability of the product.
- If the structure is compromised, it can easily cause the frame to crack, break, or collapse.
- When using the product, please do not use sharp objects on collision films to avoid cuts. Be careful not to have a sharp object touch the film as it may scratch.
- The fabric have flame polyester material applied to them and is recommended to keep away from fire to avoid damage.
- The frames are made of metal structure. If white spots or dirt is shown, please wipe with a wet cloth. White spots are normal in a wet/warm environment.
- If there is any distorting with the calibration, please fix immediately. Any distortion can cause the skylight to fall. Please refer to the instruction manual for repairs.
- If any connection piece rusts, change out the screws to ensure the connection part is firm and stable.

Living and Home
A Home is for Living in

For comfort and style update your living space.

Browse contemporary and classic designs and find the perfect home to your look and the perfect spot to lounge.

Put your feet up and sink into our stylish home decor.

We are mainly engaged in home, outdoor, home appliances, office, bathroom, provided high quality and affordable products for you. We value every one of our customers and our professional service team is always available to help you.

livingandhome.co.uk