



# **3-TIER DISH DRAINER STORAGE**

# SAFETY & WARNINGS

## Warning

- Please read all instructions carefully.
- Retain instructions for future reference.
- Separate and count all parts and hardware.
- Read through each step carefully and follow the proper order.
- We recommend that, where possible, all items are assembled near to the area in which they will be placed in use, to avoid moving the product unnecessarily once assembled.
- Always place the product on a flat, steady and stable surface.
- Keep all small parts and packaging materials for this product away from babies and children as they potentially pose a serious choking hazard.
- Parts of the assembly will be easier with 2 people.
- Do not use this item if any components are missing or damaged.
- Dispose of all packaging carefully and responsibly.

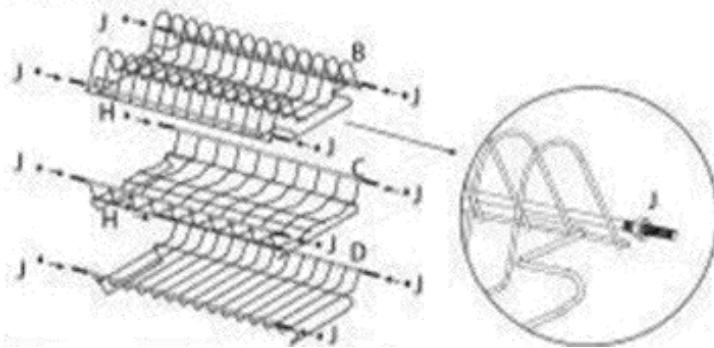
## Assembly Tips

- Please read the instruction manual carefully to understand the matters needing attention in the process of installation and maintenance.
- Strictly follow the assembly instructions.
- Carefully check whether the parts in the box are intact.
- Assemble on the box so as not to damage the product and room floor.
- The use of mismatched parts may cause damage to the product. Please confirm the model of various parts before assembly.

# INSTALLATION

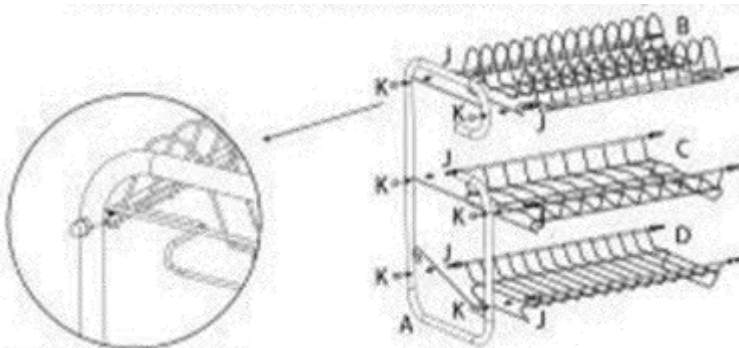
## Step 1

Put 12 pieces of J into the designated positions of B, C and D.



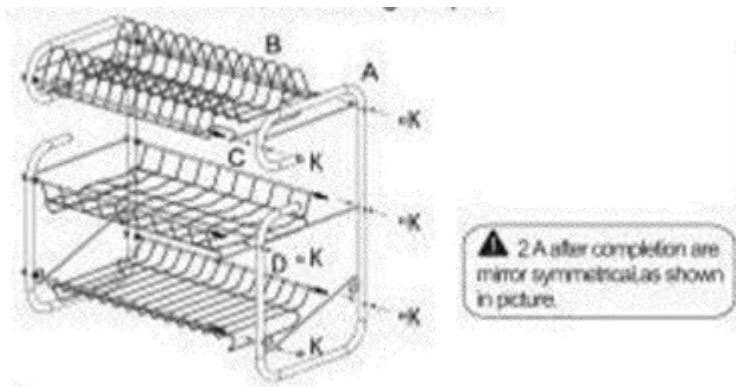
## Step 2

Install B, C and D into A and embed six K into A, B, C. Screw J and K to fix A as shown in picture.



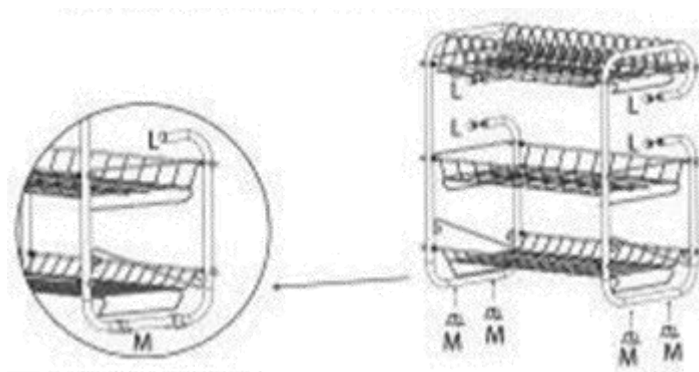
### Step 3

Install another A, following step 2.



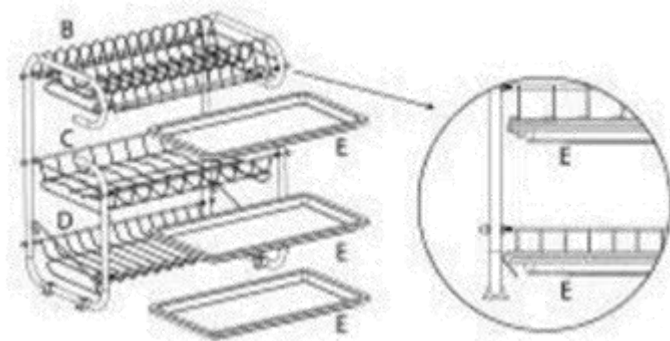
### Step 4

Install four M and four L as shown in picture.



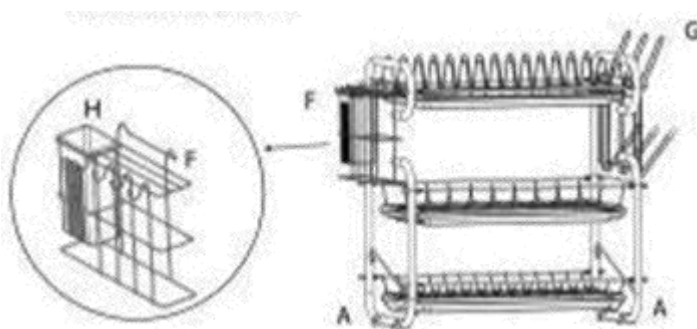
### Step 5

Push three E in each slot.



### Step 6

Installation is completed after hanging F and G on the side.



# CLEANING & CARE

- To maintain the finish, clean the surface by using a soft cloth. Do not use a metal brush.
- Regularly check all fastenings to ensure that they properly tightened.
- Dispose of the products and the packaging in an environmentally friendly manner.

## **Living and Home**

### **A Home is for Living in**

For comfort and style update your living space.

Browse contemporary and classic designs and find the perfect home to your look and the perfect spot to lounge.

Put your feet up and sink into our stylish home decor.

We are mainly engaged in home, outdoor, home appliances, office, bathroom, provided high quality and affordable products for you. We value every one of our customers and our professional service team is always available to help you.

[livingandhome.co.uk](http://livingandhome.co.uk)