

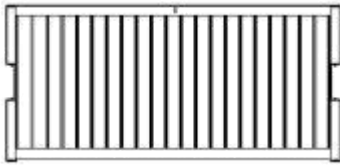


PLASTIC GARDEN STORAGE BOX

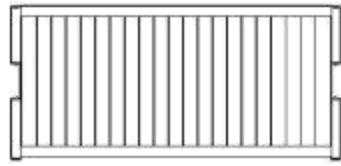
ASSEMBLY GUIDE

- Check your local building codes regarding footings, location, etc..
- Select a site that allows enough working space around the storage box.
- Follow all directions and dimensions thoroughly.
- Follow the steps given in the manual carefully for correct assembly.
- BE SAFE: Follow safety instructions and avoid injury.
- GROUND MUST BE EVEN : Make sure the foundation frame lies flat on the ground. If the earth bed is uneven, remove sod and other debris and level it with a flat shovel.
- Separate contents of the carton by the part number and review the list. Be sure you have all the necessary parts for your storage box. Refer page 3 for part list.
- Always wear work gloves, long sleeves and eye protection during assembly of the storage box. Some pieces of the storage box contain sharp edges and can cause injury.
- Be cautious with the tools used for the assembly of the storage box. Familiarize yourself with the operation of all the power tools.
- Children and pets should be kept away from the assembly site to avoid any distractions and accidents.
- Do not attempt to assemble the storage box on a windy day. Storage box panels can be whipped across by the wind making the worksite difficult and dangerous.
- Do not use any part of the storage box as a means of personal support while attaching components during assembly.
- The storage box must be constructed on a solid base foundation. A concrete pad or a large size concrete patio stone squares is recommended for suitable floor base. Make sure it is firm and level and will allow drainage away from the site.

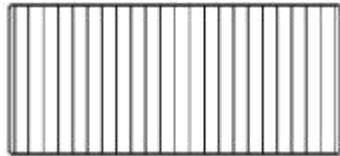
COMPONENTS



Front Panel
(With the Lock Hole)



Back Panel



Lid



Bottom Panel



Right & Left Side Panel



Hook (x4)



Screws (x14)



HGSL (Right & Left)
(x2)



Lock A



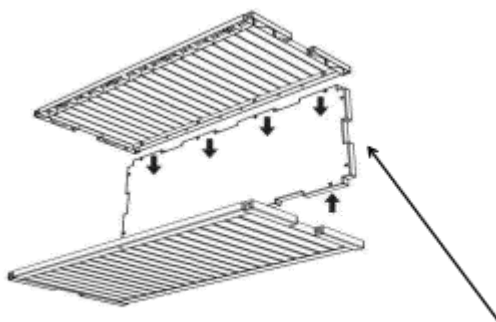
Lock B

INSTALLATION

Step 1

Fix the front & back panels onto the bottom panel.

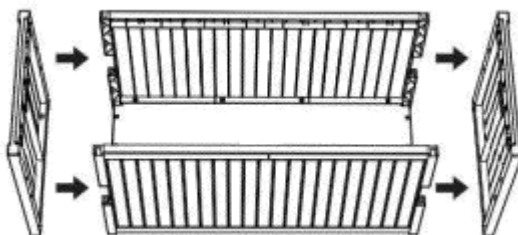
Tips: Put the flat surface facing upwards.



Tip: Put the flat face upwards.

Step 2

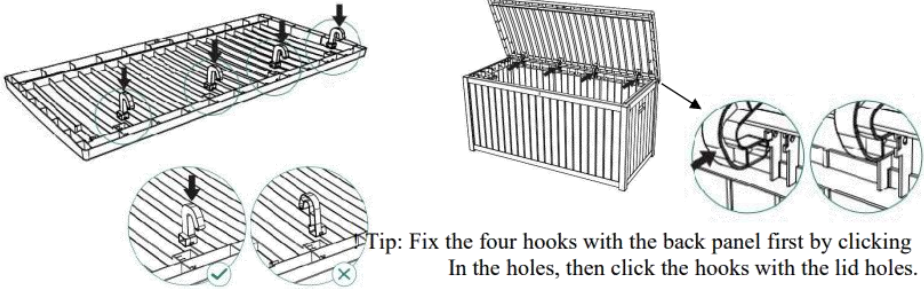
Fix the side panels with the bottom, front & back panels.



Step 3

Fix the lid with back panel using four hooks.

Tip: Fix the four hooks with the back panel first by clicking in the holes, then click the hooks with the lid holes.



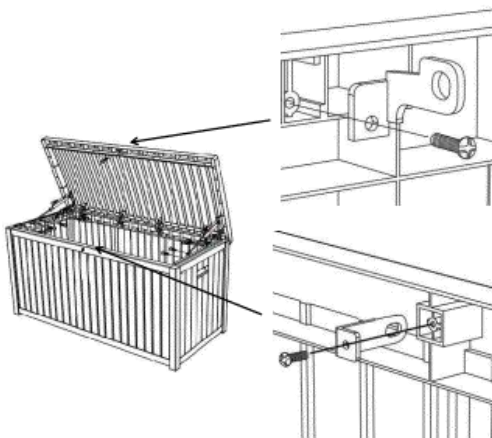
Step 4

Fix the HGSL(Right) and HGSL(Left) with screws to lid and side panels.



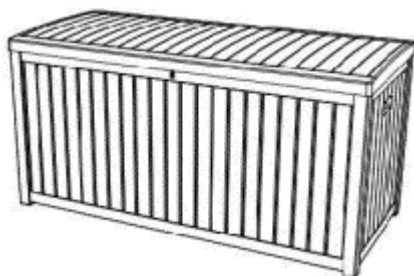
Step 5:

Fix the lock A with lid and lock B with front panel as shown in the figure.



Step 6:

Installation completed.



CAUTION & CARE

- This storage box requires no maintenance.
- However, by keeping it clean you can use it year after year.
- Clean: Wipe clean with a mild soapy solution. It is not recommended to clean plastic furniture with a strong cleaner or an abrasive material because it may discolour or damage the surface.

Living and Home

A Home is for Living in

For comfort and style update your living space.

Browse contemporary and classic designs and find the perfect home to your look and the perfect spot to lounge.

Put your feet up and sink into our stylish home decor.

We are mainly engaged in home, outdoor, home appliances, office, bathroom, provided high quality and affordable products for you. We value every one of our customers and our professional service team is always available to help you.

livingandhome.co.uk