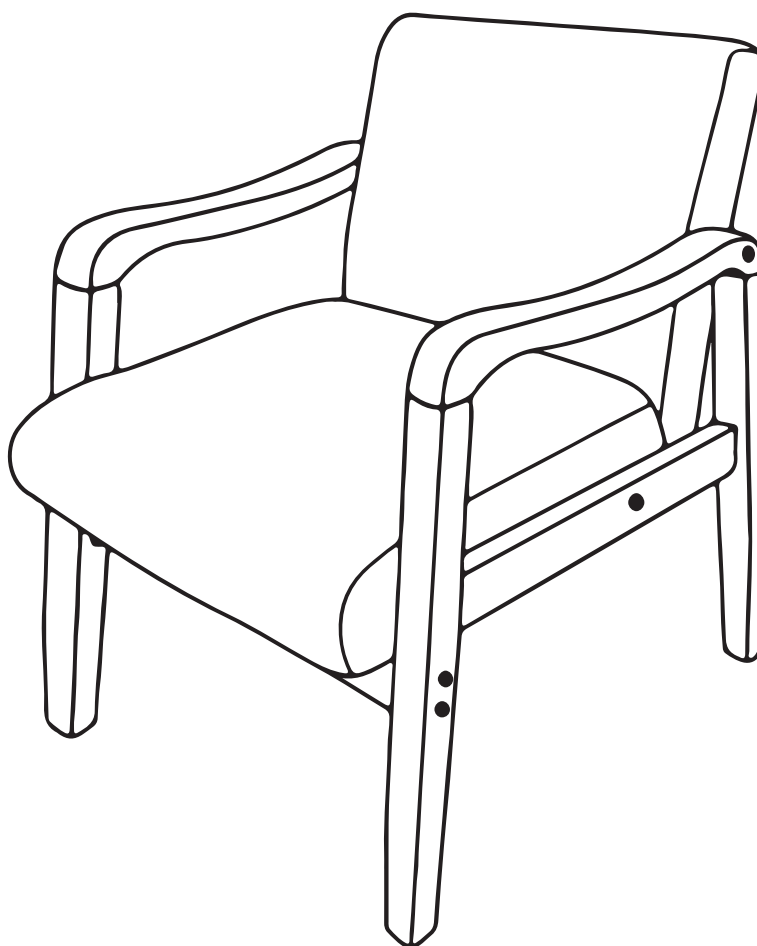


USER MANUAL

# ARMCHAIR

ZH0419 ZH0420



Please read this manual carefully before assembly and keep it properly

---

# SAFETY & WARNINGS

---

## Warning

- Do not put HOT items directly on the furniture surface.
- Do not clean the furniture with HARSH cleansers or polish.
- Do not place the furniture under DIRECT sunlight.
- Do not place the furniture near heating or cooling vents.
- Do not write on the furniture without a padded barrier to protect the surface.
- For indoor use only. Do not place the furniture outdoors.
- Use a mild soap solution and a damp cloth to remove stains from the furniture.
- Dust the furniture and clean spills with a clean, non-colored, lint-free cloth.

## Safety Information

- Identify all the parts and hardware.
- Keep the packaging until you have confirmed you have all necessary parts and hardware.
- Hardware package may contain spare parts.

## Attention

- Keep children and pets away during assembly to prevent the risk of swallowing small parts.
- Ensure that plastic bags are kept away from children and pets to prevent suffocation.
- Assemble the unit on a carpeted floor to prevent scratches.
- Use manual tools for assembly; refrain from using power tools to avoid damaging the unit.


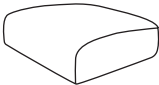
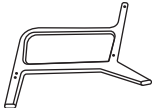
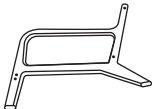
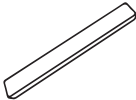


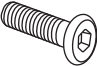




# MAINTENANCE

---

- Wipe the furniture surface regularly with clean water and a soft white cloth.
- Perform general cleaning as required using a mild detergent and water solution.
- After cleaning, always rinse with clean water and thoroughly dry. In case of heavy soiling, dampen a soft white cloth or soft bristle brush and gently wipe it off, but exercise caution to prevent surface damage.
- Address more stubborn stains occasionally rather than on a daily basis.
- After using ANY cleaning solution, ensure thorough removal with clean water and a white cloth to prevent material drying or color alteration.
- DO NOT use any cleaners containing corrosive ingredients such as lye, acids, or ammonia, as they can harm the material.

# PART LIST

---

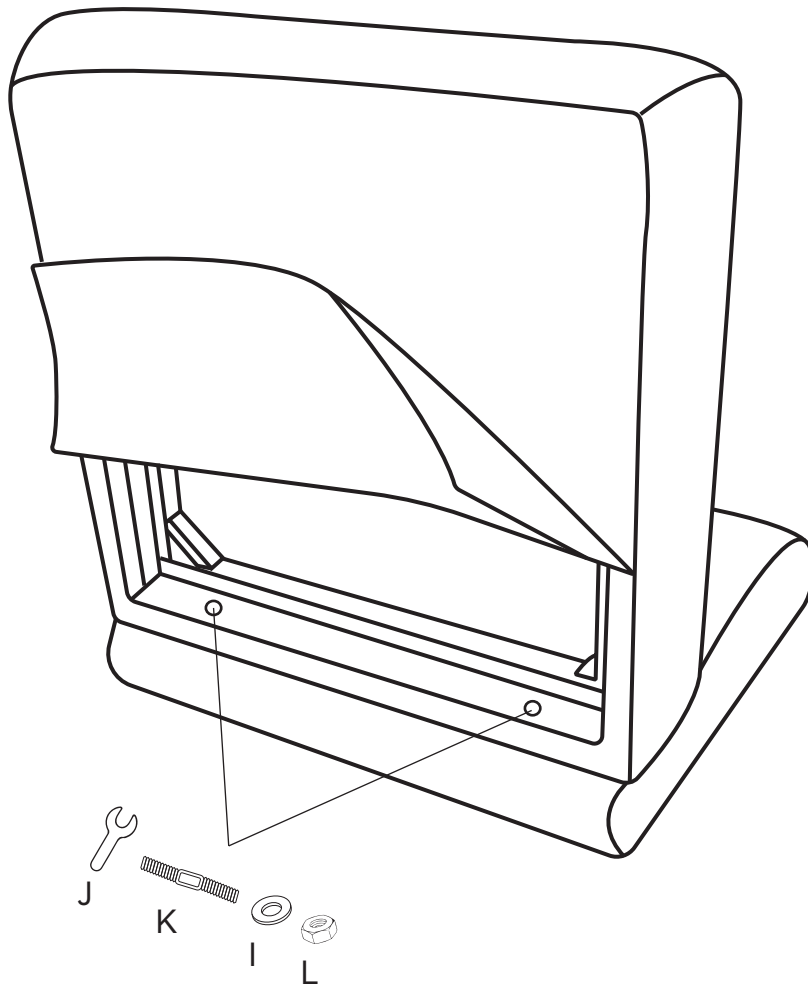
Label	Picture	Description	QTY
A		Seat Back	1
B		Seat	1
C		Leg	1
D		Leg	1
E		Front Bar	1
F		Hex Wrench	1
G		Nut	4
H		Screw	8
I		Hex Nut	2
J		Spanner	1
K		Set Screw	2
L		Washer	2

# ASSEMBLY

---

## Step 1:

Place the seat back (A) on a flat surface, attach the seat (B) to the seat back (A) by inserting washers (L) and hex nuts (I) and set screws (K) into the bolts under the seat. And secure with the spanner (J).

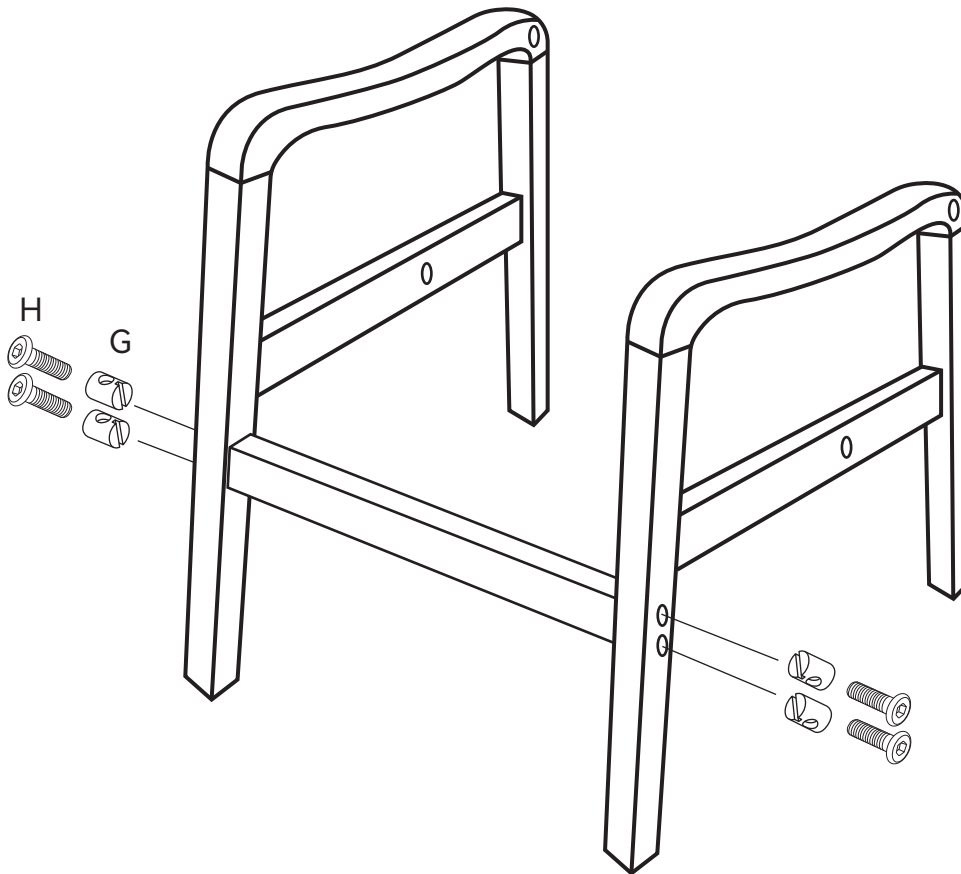


# ASSEMBLY

---

## Step 2:

Attach the legs (C&D) together by securing screws (H) and nuts (G) into the bolts at both ends of the front bar (E).

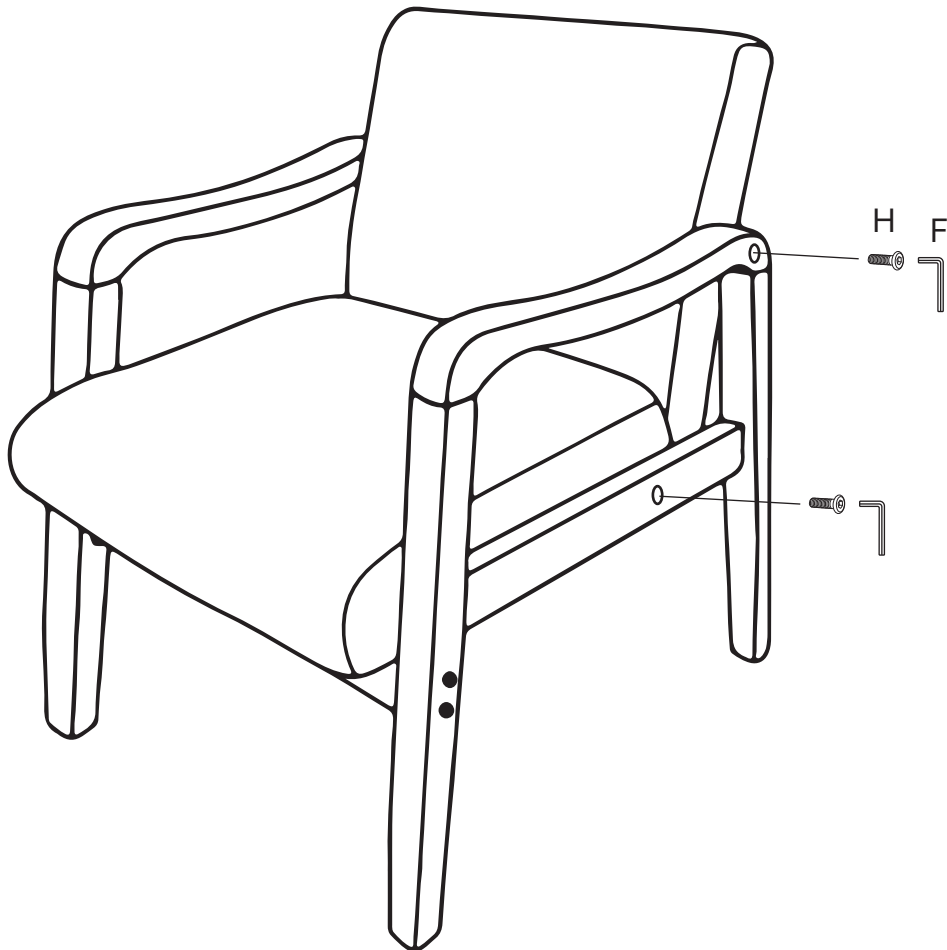


# ASSEMBLY

---

## Step 3:

Press the seat (B) and the back (A) down on the frame. Insert and tighten the screws (H) into the bolts on both sides of the legs.



# ASSEMBLY

---

## Step 4:

Assembly complete.

