



# **3 IN 1 PIZZA OVEN**

# ASSEMBLY INSTRUCTION

APPROXIMATE ASSEMBLY TIME: 30 MINUTES

1 PERSON ASSEMBLY



REQUIRED ASSEMBLY SPACE

**FLOOR AREA**  
**1.5M X1.5M**



REQUIRED ASSEMBLY TOOLS



Reminder: please assemble the product on a soft carpet.

# SAFETY INFORMATION

Your pizza oven should only be used to burn coal, gloves are recommended whenever moving the pizza oven and never handle when lit.

Children should never be allowed near the pizza oven, the surfaces may be very hot during use and will remain hot for some time after use. An available fire extinguisher or water source close to hand is recommended when using the pizza oven. Like any open fire - sparks can fly from the fire so please be vigilant at all times.

## Positioning-

- Choose an open location and never use indoors or in an enclosed space.
- Site the pizza oven at least 3m from trees and shrubs.
- Do not site the pizza oven beneath an overhanging roof or tree.
- Stand the pizza oven on a concrete base, paving slabs are ideal.
- Do not site the pizza oven on decking.
- Do not leave the pizza oven unattended.
- Do not site any garden furniture near the pizza oven.

## Usage-

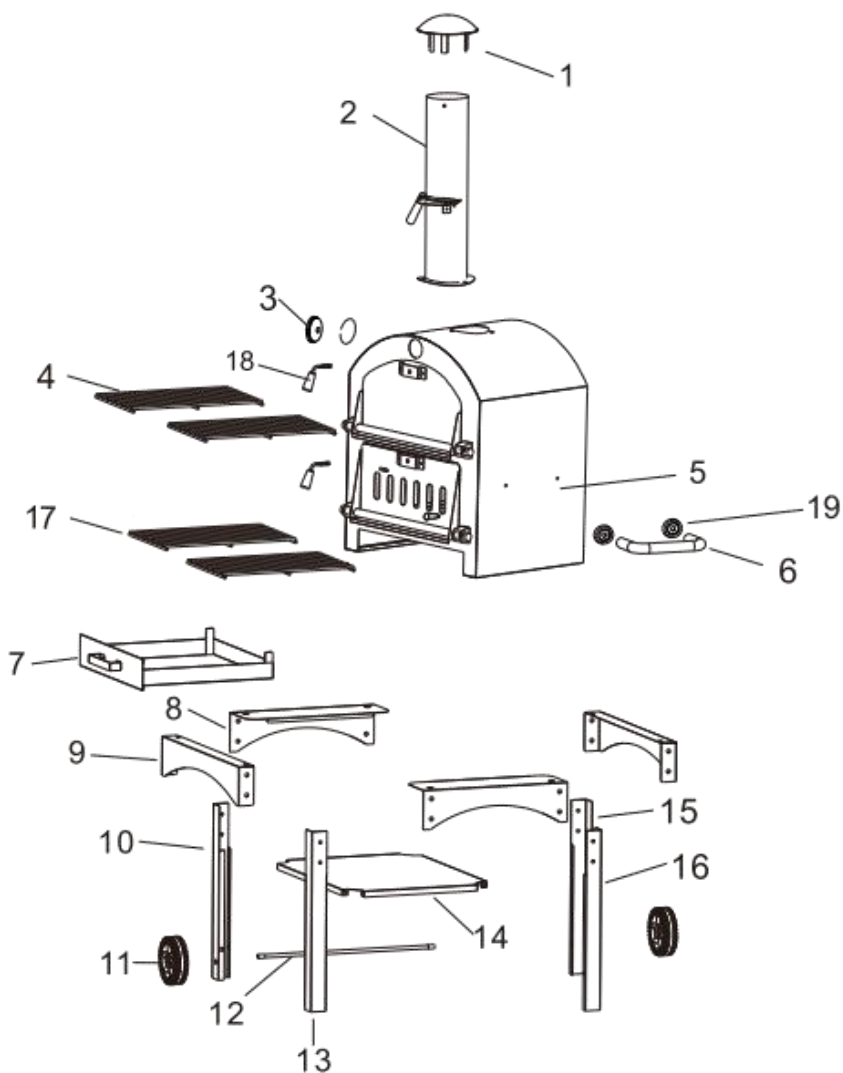
- Use coal in the drawer provided, do not use wood or kindling.
- You can use a normal barbeque firelighter to start the fire.
- Always use suitable gloves when adding charcoal to the fire.
- Do not overfill with coal.
- The recommended maximum temperature is 270°C.
- The 2 silver grids are for the food drawer (top compartment) and the 2 black grids are for the charcoal drawer (bottom compartment with air vents).

When you have finished using the pizza oven, the ashes and embers will remain hot for several hours, so do not dispose of in a bin. Leave to completely cool down before disposing, ensuring that water has been poured on the embers allowing them to fully extinguish. Use a weather proof cover to protect the pizza oven from the weather when it is not in use and completely cold. Do not leave exposed to the elements for any length of time as this may cause damage to the surface of the pizza oven.

**PLEASE KEEP THESE INSTRUCTIONS AT HAND AND ENJOY YOUR PIZZA OVEN.**

**SAFETY FIRST.**

# PART LIST



# COMPONENTS



1: Chimney Cover (x1)



2: Chimney (x1)



3: Thermometer (x1)



4: Cooking Grid (x2)



5: Fire Bowl (x1)



6: Handle (x1)



7: Ash Drawer (x1)



8: Support (x2)



9: Support (x2)



10: Leg (x1)



11: Wheel (x2)



12: Axle (x1)



13: Leg (x1)



14: Bottom Plate (x1)



15: Leg (x1)



16: Leg (x1)



17: Charcoal Grill (x2)



18: Door Handle (x2)



19: Handle Fixing Bracket (x2)



A: M6X12 (x26)



B: M10 (x2)



C: M6 (x2)

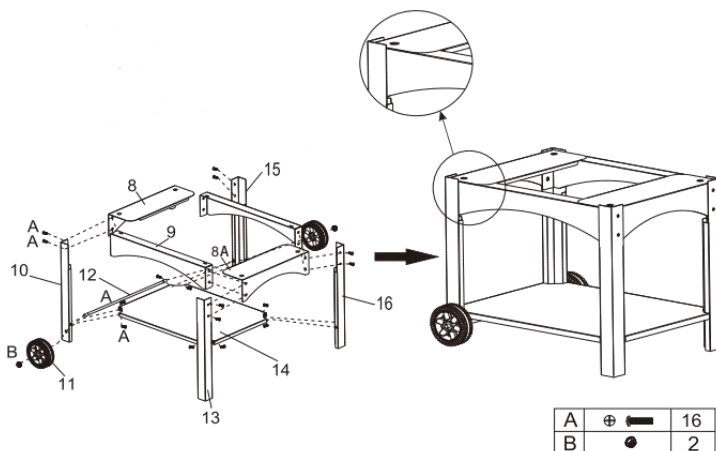


D: φ6 (x6)

# INSTALLATION

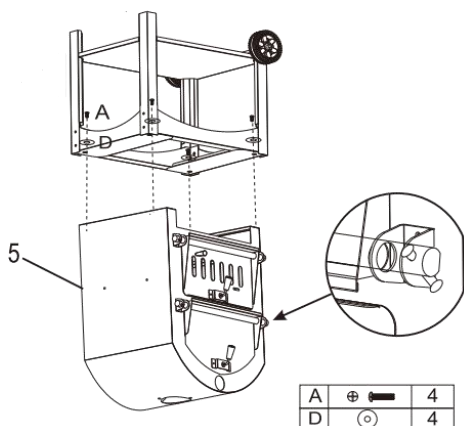
## Step 1:

Assemble the legs to the support; then assemble the wheel and bottom plate by using screws (A) and nuts (B).



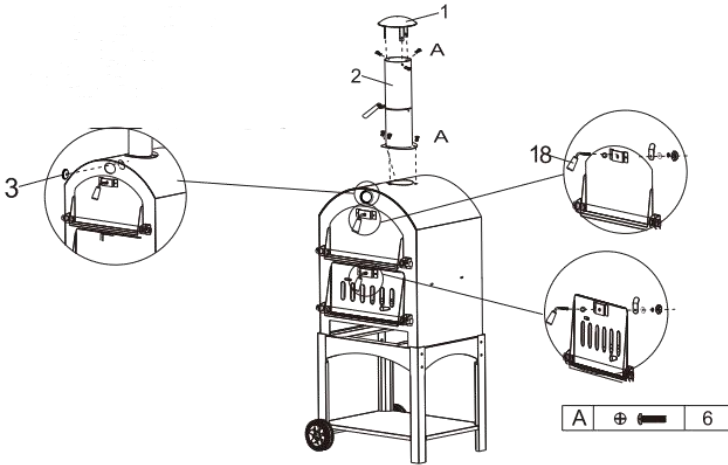
## Step 2:

Assemble the fire bowl to the legs by using screws (A) and washers (D).



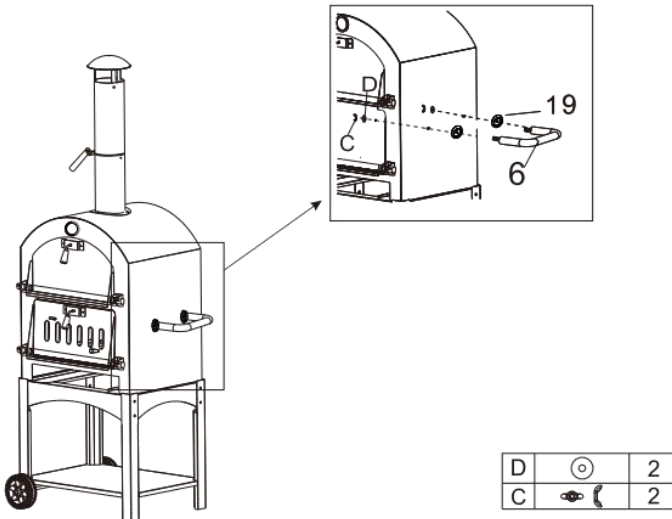
### Step 3:

Assemble the chimney to the fire bowl by using screws (A).  
Assemble the thermometer to the fire bowl.



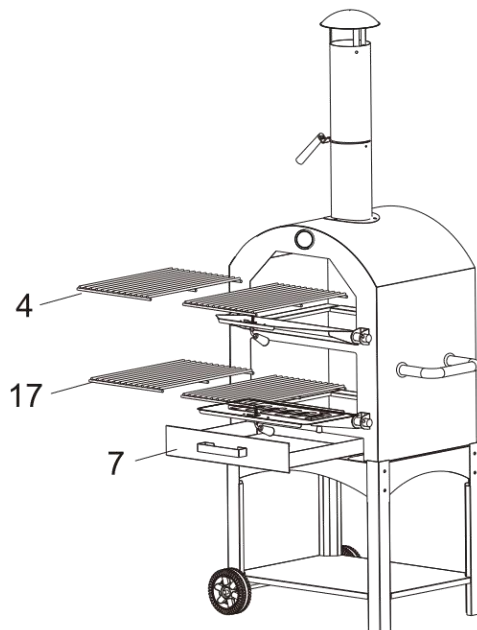
### Step 4:

Assemble the handle to the fire bowl by using washers (D) and nuts (C).



**Step 5:**

Put the cooking grid and charcoal grill to the fire bowl.



## **Living and Home**

### **A Home is for Living in**

For comfort and style update your living space.

Browse contemporary and classic designs and find the perfect home to your look and the perfect spot to lounge.

Put your feet up and sink into our stylish home decor.

We are mainly engaged in home, outdoor, home appliances, office, bathroom, provided high quality and affordable products for you. We value every one of our customers and our professional service team is always available to help you.

[livingandhome.co.uk](http://livingandhome.co.uk)