

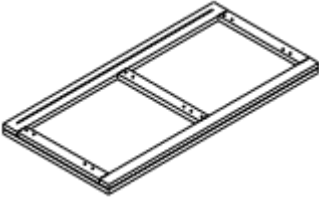


KITCHEN TROLLEY

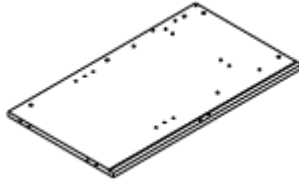
SAFETY INFORMATION

- Please read the entire manual before starting to assemble and/or using this product. Follow the manual thoroughly and keep it for further reference.
- In order to avoid scratching, this furniture should be assembled on a soft layer-could be a rug.
- Try to find a partner to install with you, which can speed up the installation efficiency and shorten the time.
- During assembly children should be kept away from the product due to possible risk of injury.
- Keep the handtools close at hand. Do not use power tools to assemble your furniture. They may scratch or damage the parts.

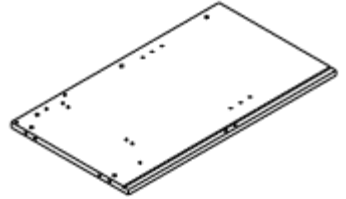
COMPONENTS



1: (x1)



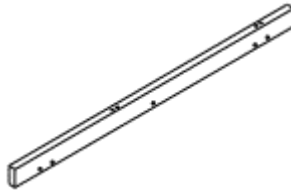
2: (x1)



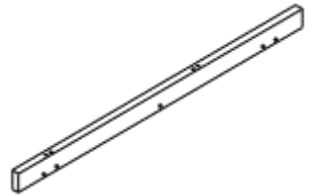
3: (x1)



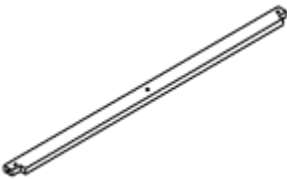
4: (x1)



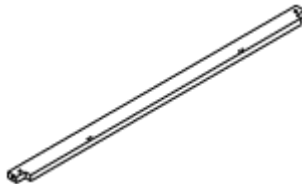
5: (x1)



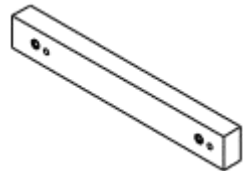
6: (x1)



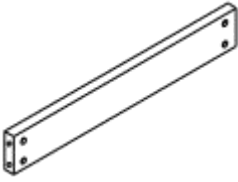
7: (x1)



8: (x1)



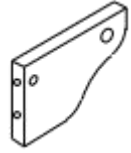
9: (x2)



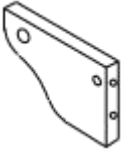
10: (x2)



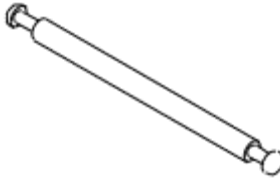
11: (x2)



12: (x4)



13: (x1)



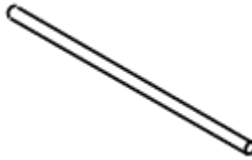
14: (x1)



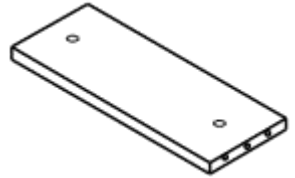
15: (x1)



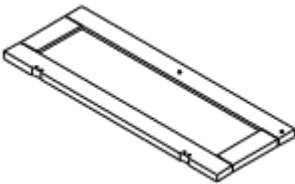
16: (x1)



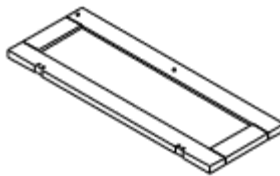
17: (x3)



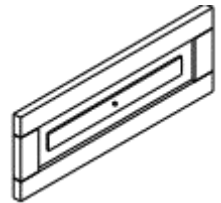
18: (x1)



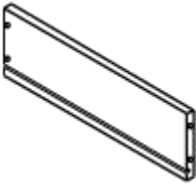
19: (x2)



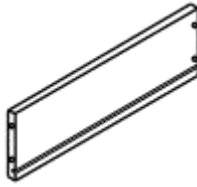
20: (x2)



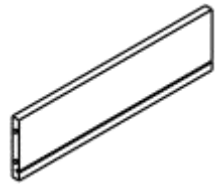
21: (x2)



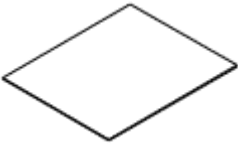
22: (x2)



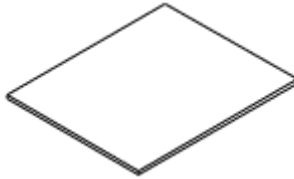
23: (x2)



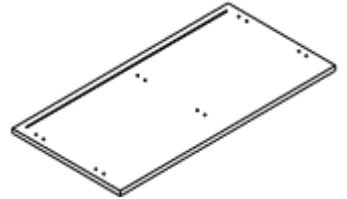
24: (x2)



25: (x2)



26: (x2)



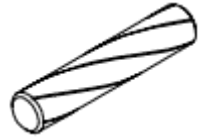
27: (x1)



A: (x34)
6x35mm



B: (x34)



C: (x30)



D: (x2)



E: (x52)
3x12mm



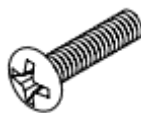
F: (x12)
4x30mm



G: (x11)
4x35mm



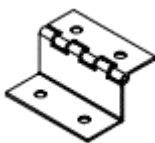
H: (x2)
6x45mm



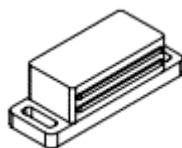
I: (x4)
4x18mm



J: (x4)



K: (x8)



L: (x2)



M: (x2)



N: (x2)



O: (x2)



P: (x2)



Q: (x2)



R: (x2)



S: (x6)



T: (x8)



U: (x4)
3x16mm



V: (x16)
5x14mm

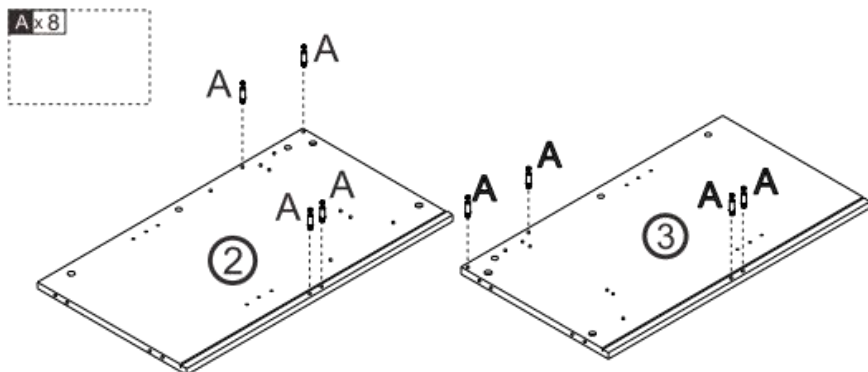


W: (x2)
4x8mm

INSTALLATION

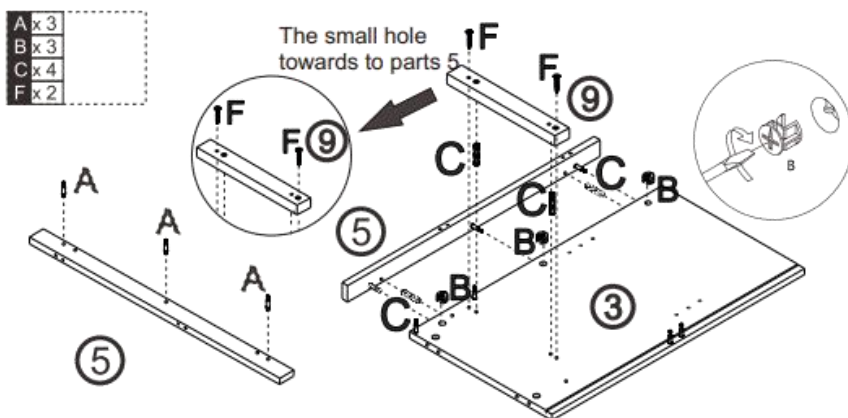
Step 1:

Place ② and ③ on a non-abrasive surface. Insert A into ② and ③ as shown.



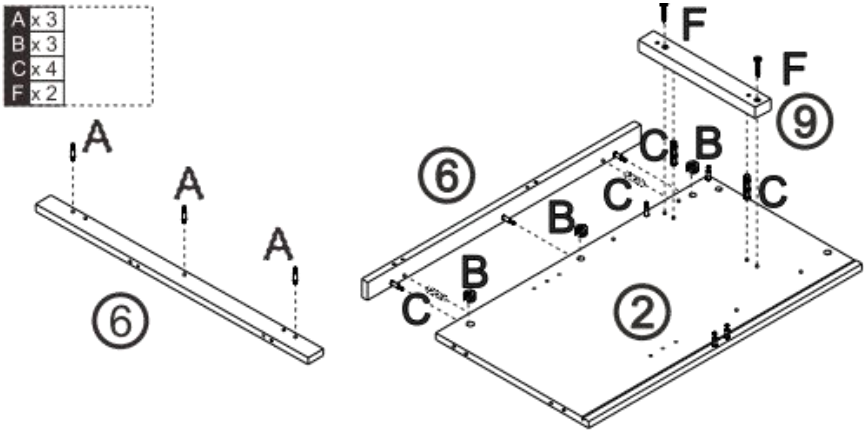
Step 2:

Insert three A into ⑤. Attach ⑨ to ③ with C and F. Attach ⑤ to ③ with C and B. Tighten B with a screwdriver by turning clockwise.



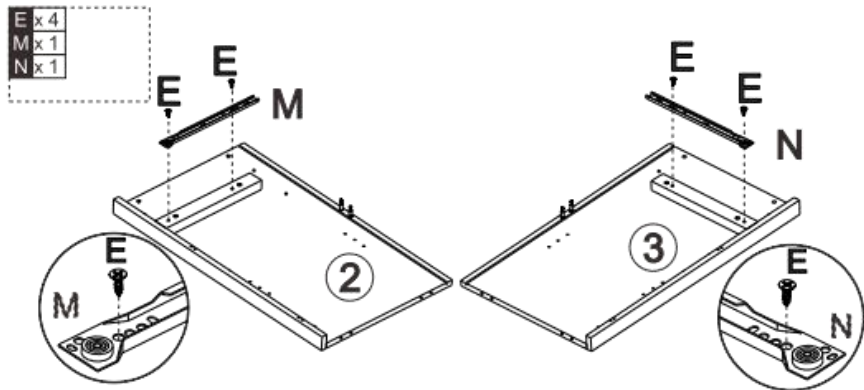
Step 3:

Insert three A into ⑥. Attach ⑨ to ② with F and C. Attach ⑥ to ② with C and B.



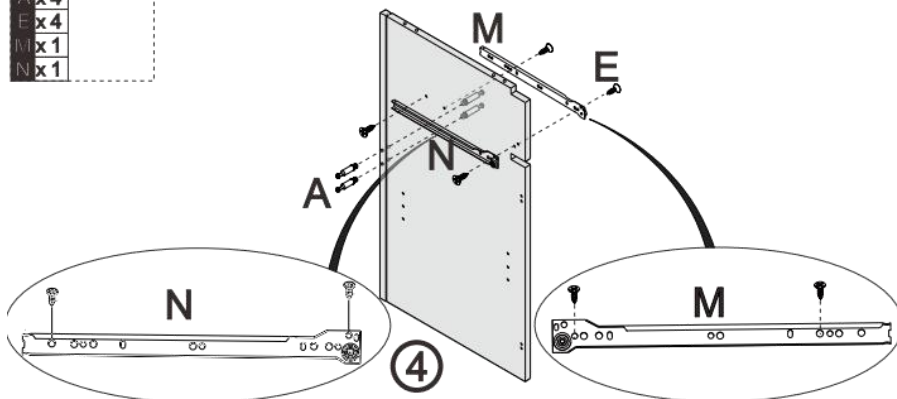
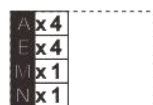
Step 4:

Attach M to ② with E. Attach N to ③ with E.



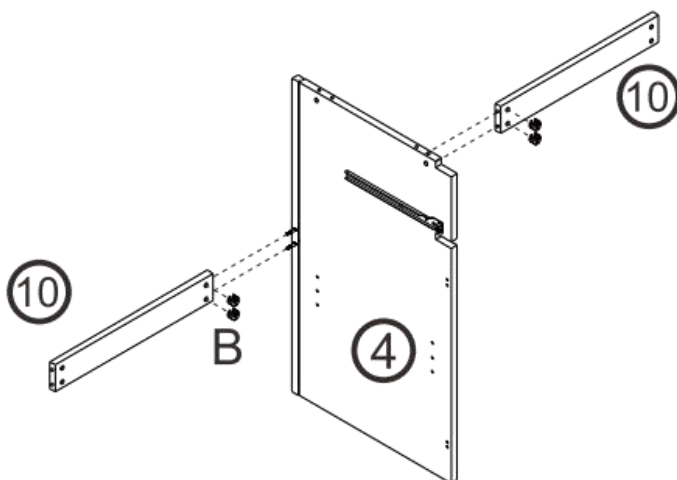
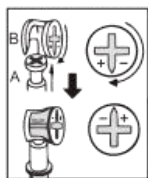
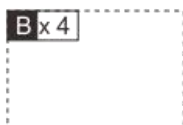
Step 5:

Attach M and N to the corresponding position of ④ with A and E.



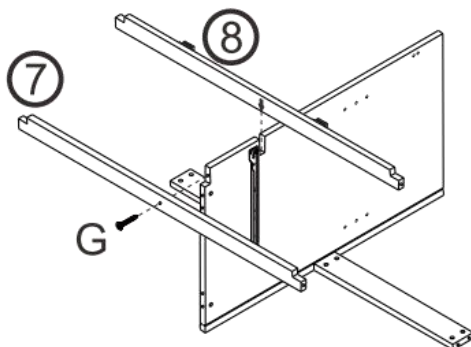
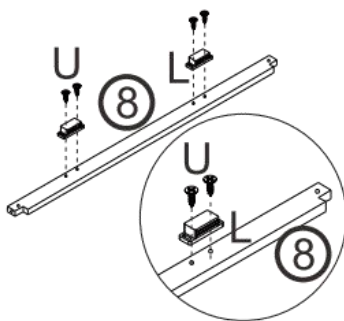
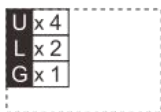
Step 6

Attach two ⑩ to ④ with B



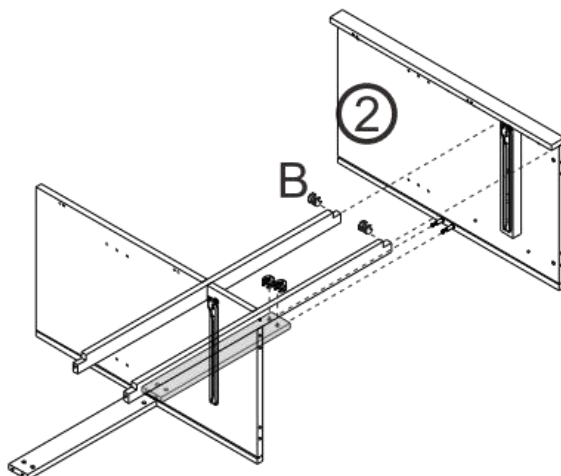
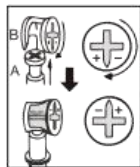
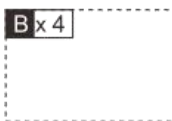
Step 7:

Attach L to ⑧ with U. Attach ⑦ and ⑧ to the corresponding positions of assembled part of step 6 with G.



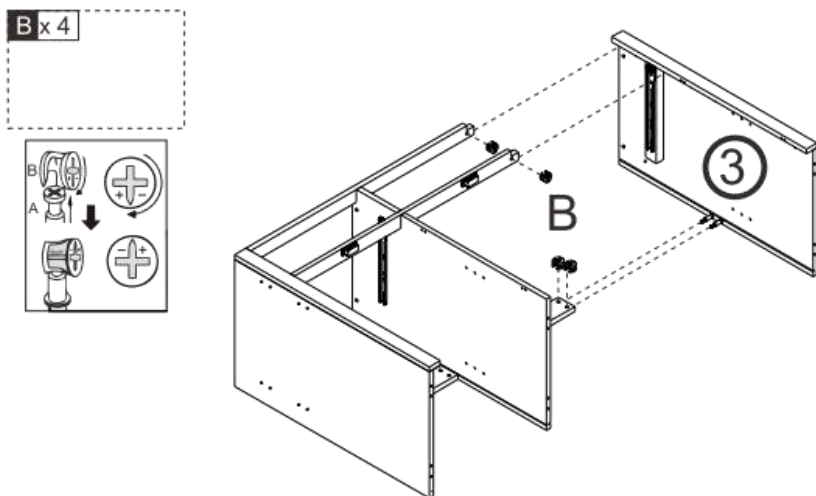
Step 8:

Attach the assembled part of step 7 to ② with B.



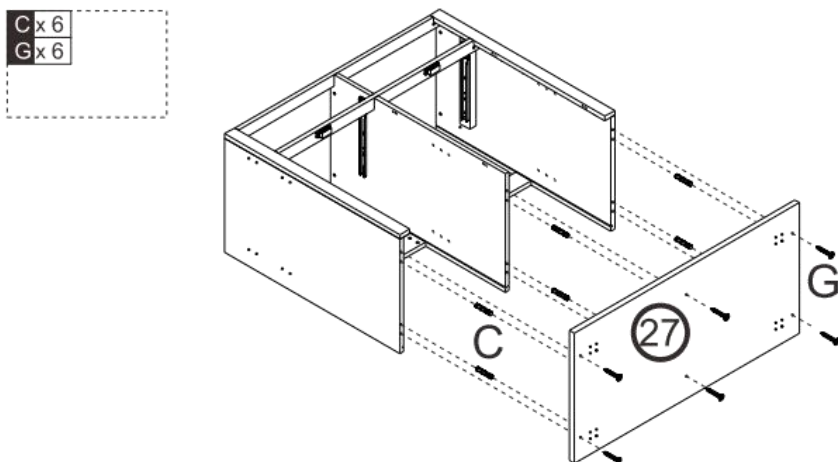
Step 9:

Attach the assembled part of step 8 to ③ with B.



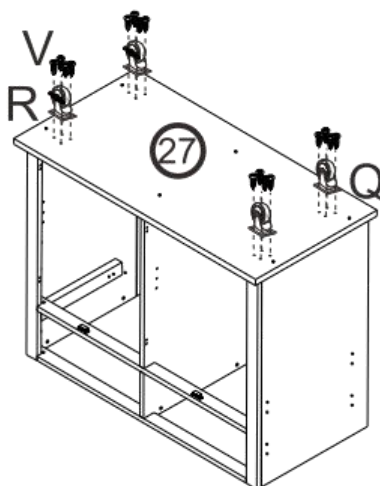
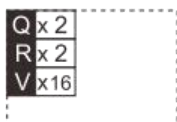
Step 10:

Attach the assembled part of step 9 to ⑳ with C and G.



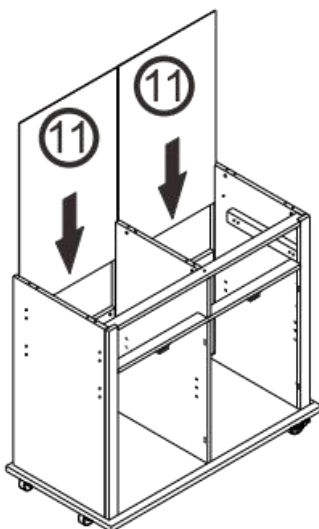
Step 11:

Attach R and Q to 27 with V.



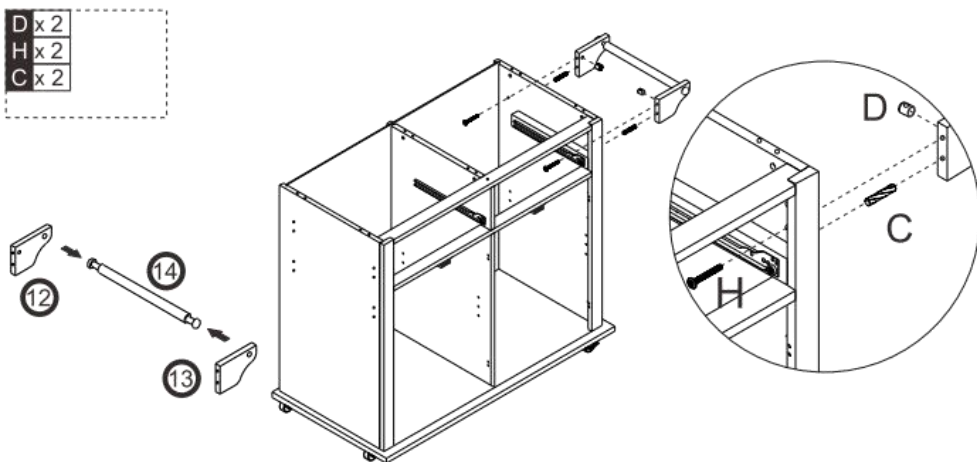
Step 12:

Place the kitchen trolley on its upright position. Install two 11 to the corresponding positions of the assembled part of step 11.



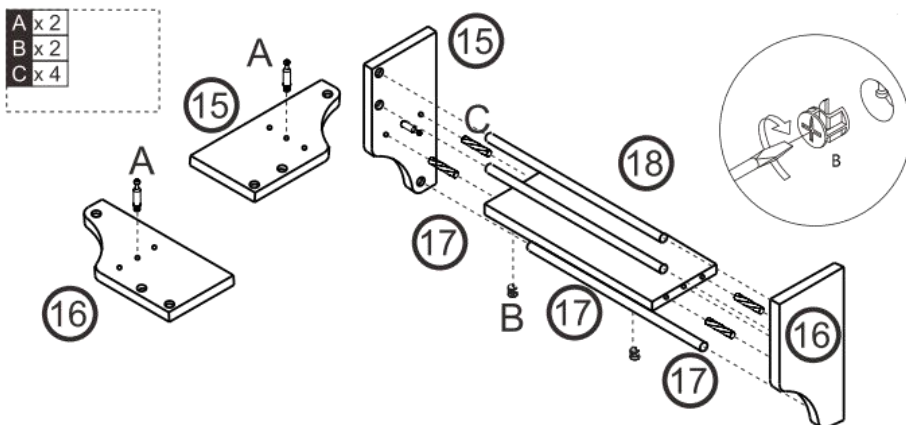
Step 13:

Attach ⑫ and ⑬ to ⑭, then attach ⑭ to the side of the kitchen trolley with C and D.



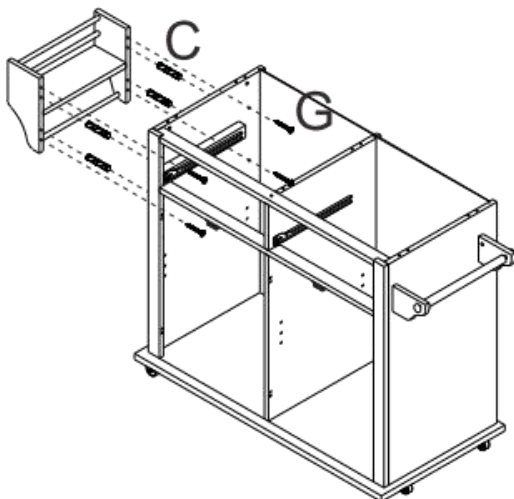
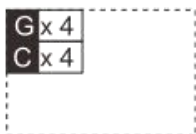
Step 14:

Insert A to ⑮ and ⑯. Attach ⑮ and ⑯ to ⑰ and ⑱ with C and B. Tighten B with a screwdriver by turning clockwise.



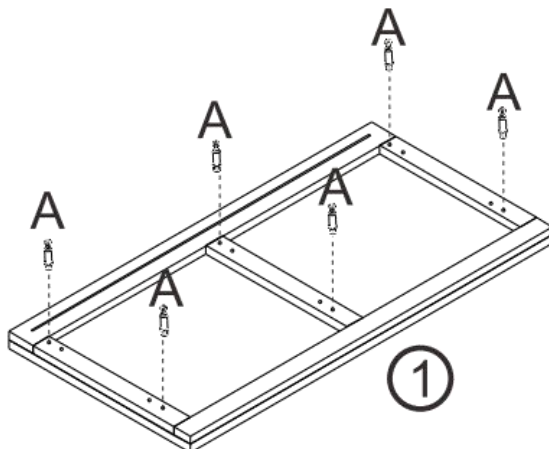
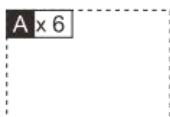
Step 15:

Attach the assembled part of step 14 to the side of the kitchen trolley with C and G.



Step 16:

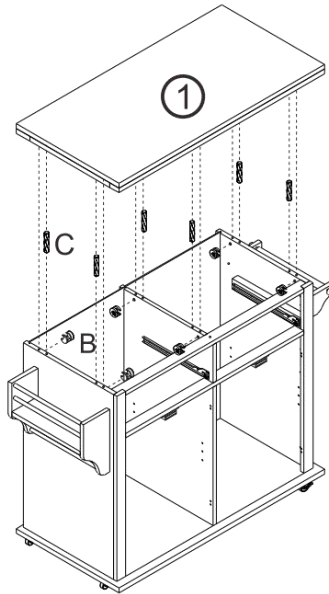
Insert A into the corresponding positions on ①.



Step 17:

Attach ① to the top of the kitchen trolley with B and C.

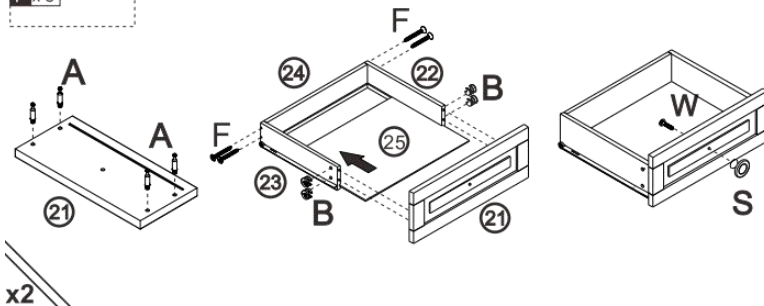
B	x 6
C	x 6



Step 18:

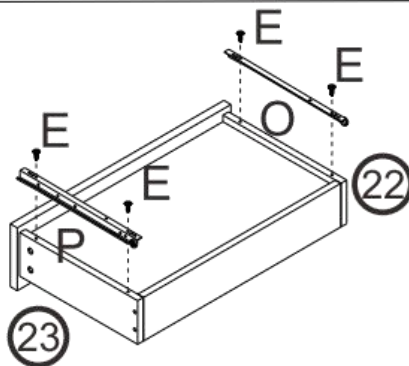
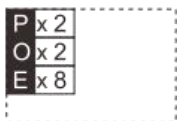
Insert A to ②①. Attach ②② and ②③ to ②④ with F. Slide ②⑤ to the available slots, then attach ②① to ②② and ②③ with B. Attach S to ②① with W. Repeat this step to assemble another drawer.

A	x 8	W	x 2
B	x 8	S	x 2
F	x 8		



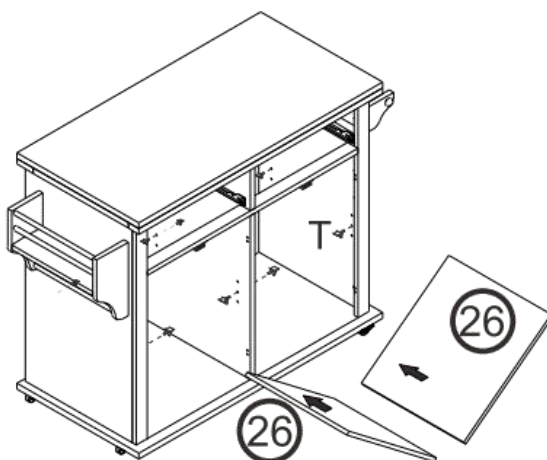
Step 19:

Place the drawer upside down on a clean floor. Attach P and O to the drawer with E. Repeat this step to another drawer.



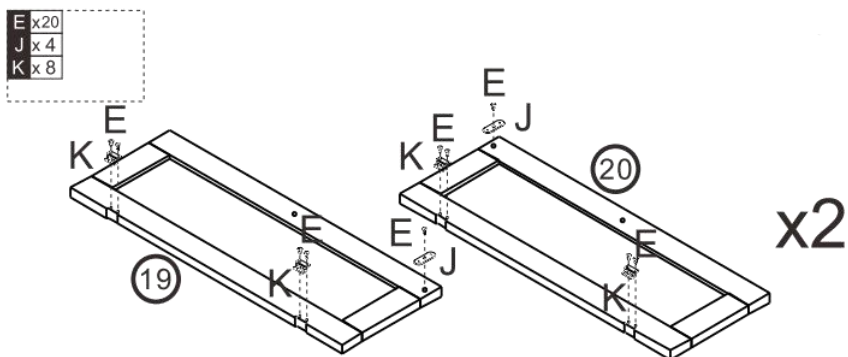
Step 20:

Assemble two (26) into the kitchen trolley with T.



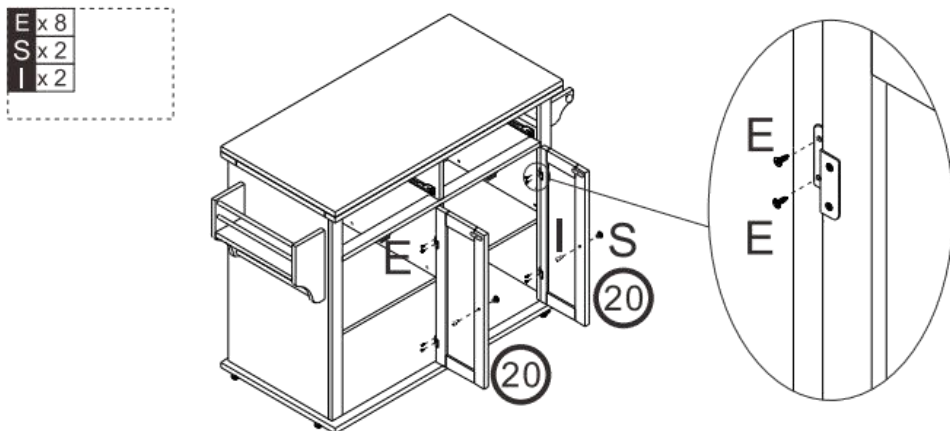
Step 21:

Attach J and K to the corresponding positions of ①⑨ and ②⑩ with E.



Step 22:

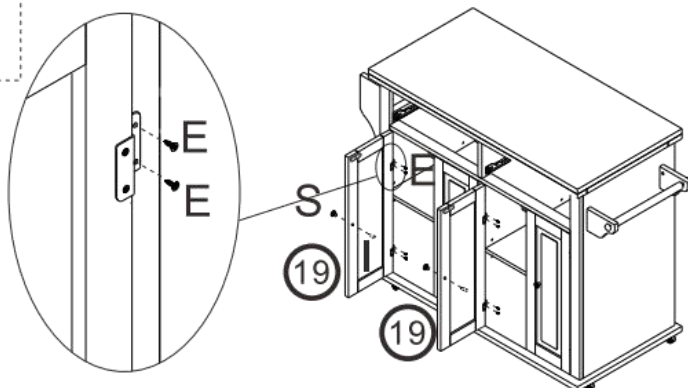
Attach S to two ②⑩ with I. Attach two ②⑩ to the kitchen trolley with E.



Step 23:

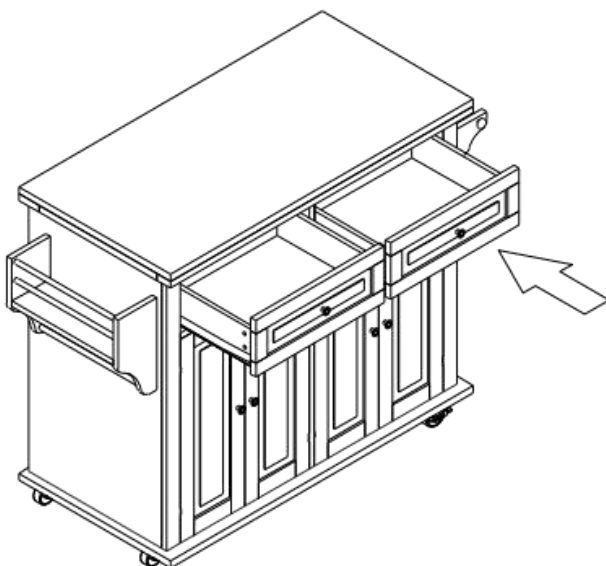
Attach S to two (19) with I. Attach two (19) to the kitchen trolley with E.

E	x 8
S	x 2
I	x 2



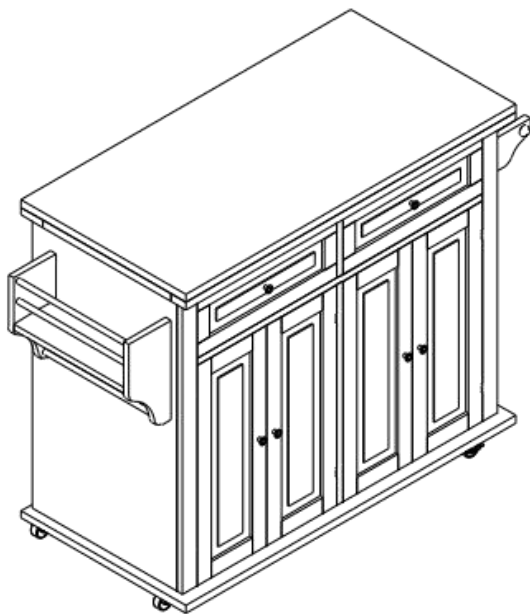
Step 24:

Slide two drawers into the kitchen trolley.



Step 25:

The assembly is finished.



MAINTENANCE

- Use a soft, clean cloth that will not scratch the surface when dusting.
- Use of furniture polish is not necessary.
- Should you choose to use polish, test first in an inconspicuous area.
- Using solvents of any kind on your furniture may damage the finish.
- Liquid spills should be removed immediately. Using a soft clean cloth, blot the spill gently. Avoid rubbing.
- Check bolts/screws periodically and tighten them if necessary.

Living and Home

A Home is for Living in

For comfort and style update your living space.

Browse contemporary and classic designs and find the perfect home to your look and the perfect spot to lounge.

Put your feet up and sink into our stylish home decor.

We are mainly engaged in home, outdoor, home appliances, office, bathroom, provided high quality and affordable products for you. We value every one of our customers and our professional service team is always available to help you.

livingandhome.co.uk