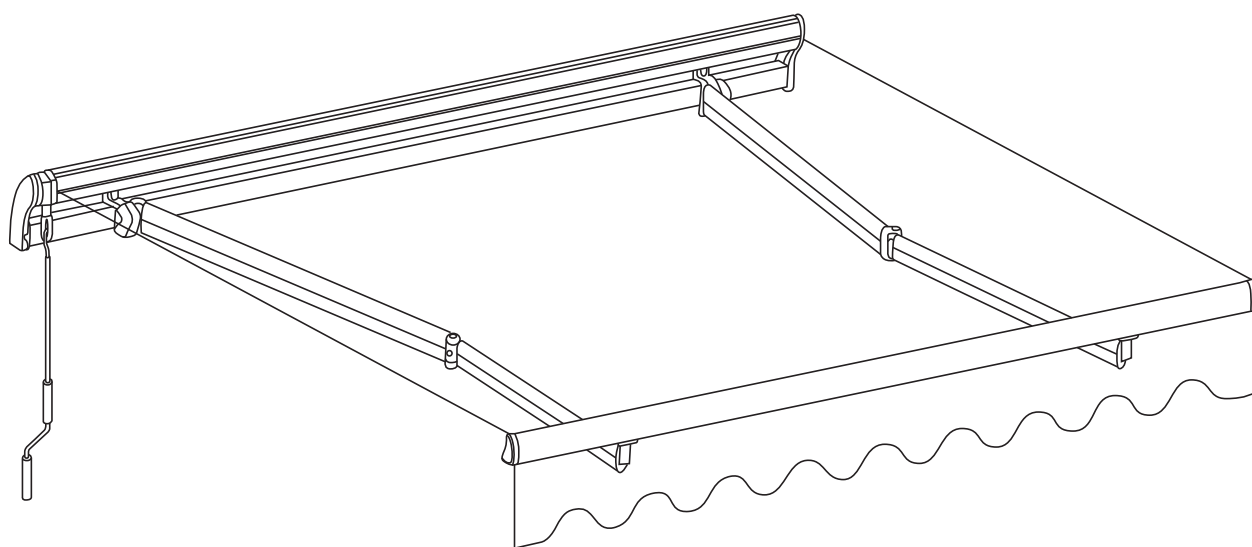


# Instruction Manual of Patio Awning

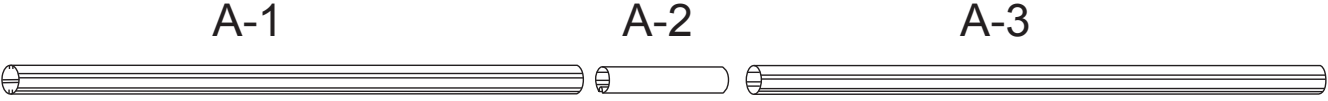
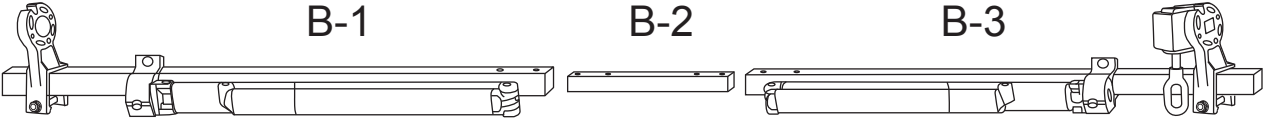
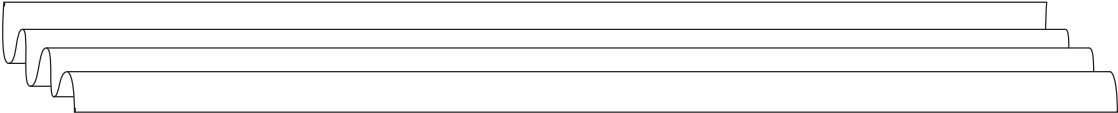
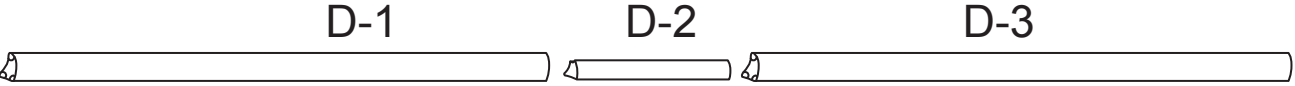
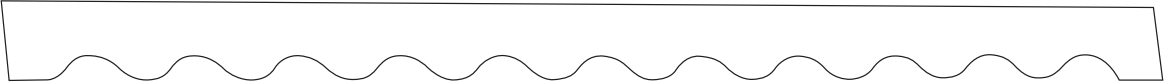
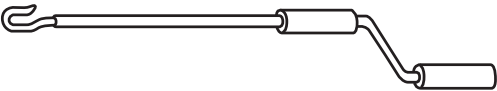
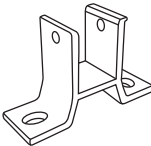
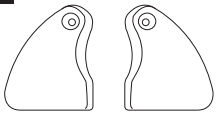


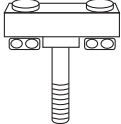

For Sizes: 2.0m/ 2.5m/ 3.0m






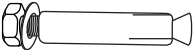






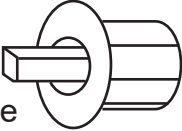
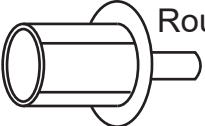
Please read these instructions carefully and ensure that they are followed at all times.

If you need help or have questions about your order, please contact our support team. We hope you never have the need, but if you do, our service is friendly and hassle-free.

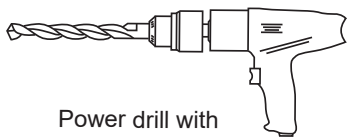
# PARTS LIST

<b>A</b>			
<b>B</b>			
<b>C</b>			
<b>D</b>			
<b>E</b>			
<b>F</b>	<b>X</b>	<b>H</b>	
			
	<p>2pcs</p>	<p>1pc</p>	
<b>I</b>	<b>J</b>	<b>K</b>	<b>L</b>
			
<p>2pcs</p>	<p>2pcs</p>	<p>2pcs</p>	<p>4cs</p>

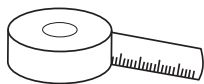
# PARTS LIST

<b>M</b>  2pcs	<b>N</b>  4pcs	<b>O</b>  2pcs	<b>P</b>  4pcs
<b>G</b>  4pcs	<b>Q</b>  8pcs	<b>R</b>  2pcs	<b>S</b>  12pcs
<b>T</b> Thick  2pcs	<b>U</b> Fine  1pc	<b>V</b> Square  1pc	<b>W</b> Round  1pc

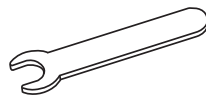
Please prepare the following tools before installation (not included with the product)



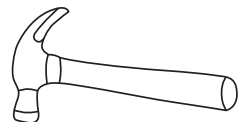
Power drill with drilling bit of  $\Phi 14$



Tape



Wrench (wrenches of M10 and M12)



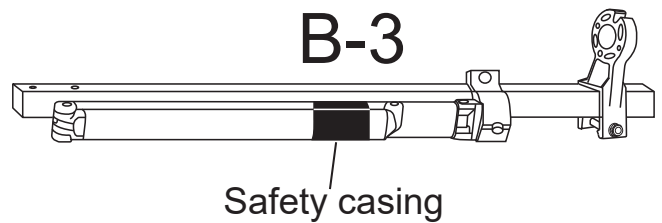
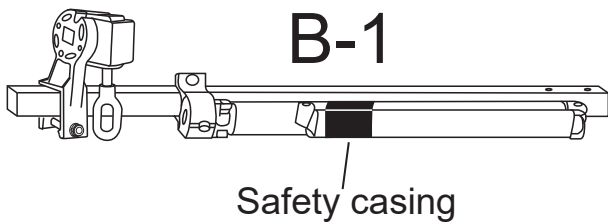
Hammer

# WARNING

- Please read the instruction manual carefully before using it.
- Please assemble strictly in accordance with the instruction.
- Please double check to ensure that all parts of the package contents are intact.



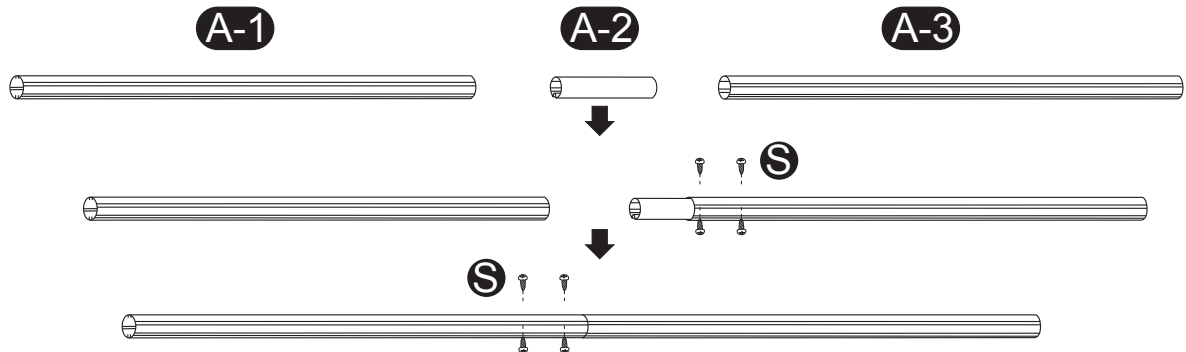
Do not remove the safety sleeves that hold the arms down!



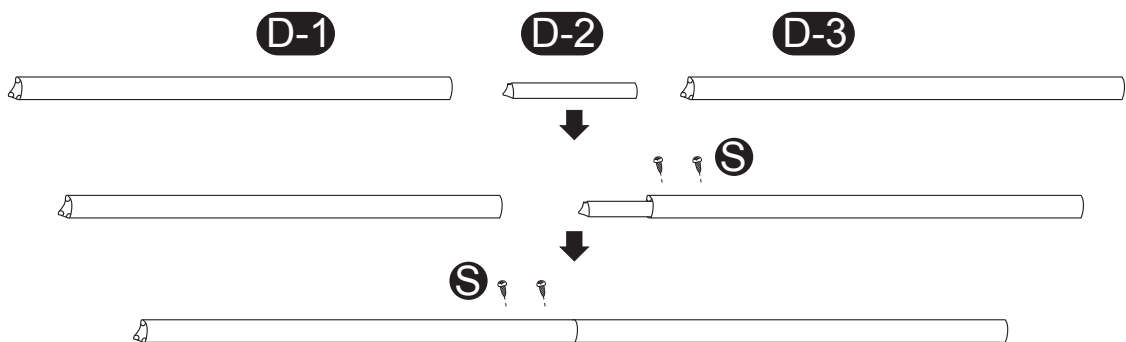
The mechanical arm will pop out immediately after the safety casing is removed, which will cause damage to the assembler. Please do not remove the safety casing.

## Steps of Assembly

Roller Assembly: Insert roller connector (A-2) into right roller (A-3), fasten it with bolt (S). Link the left roller (A-1) to the connector (A-2), fasten it with bolt (S). Now you have a full length roller.



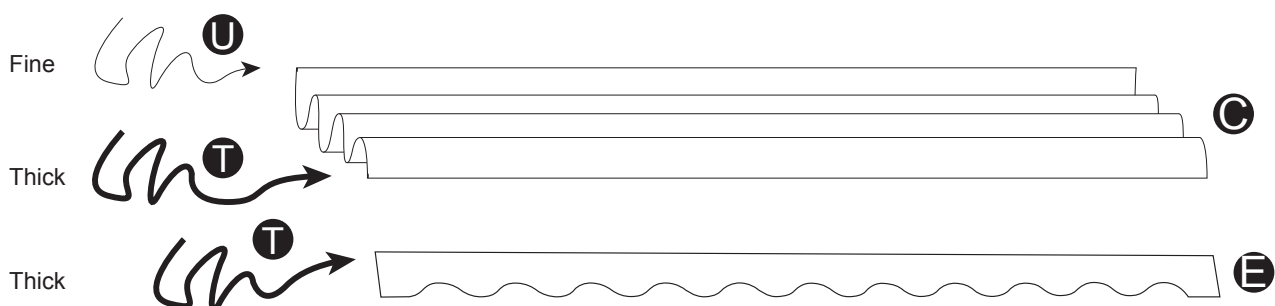
Front bar assembly: Insert front bar connector (D-2) into right front bar (D-3), fasten with bolt (S). Link left front bar (D-1) with the connector (D-2), fasten it with bolt (S). Now you have a full length front bar



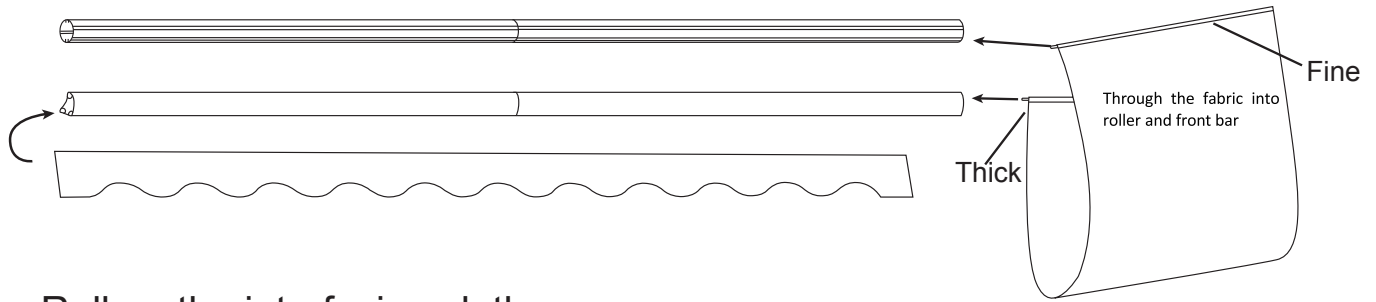
Unfold the pieces of awning fabric. You should have one large fabric piece (C) and a valance with a scalloped edge. You should also have three fabric liner cords, two thick and one thinner

Insert the part U and part T into both ends of part C and insert another part T into the part E.

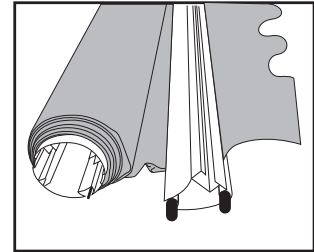
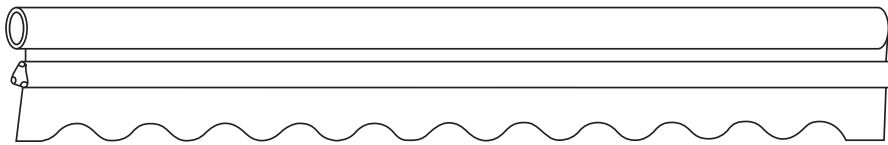
**WARM NOTE:** Please note when you install part U and T, you need to straighten the part C and part E and then install part U and T. Best 2 people install



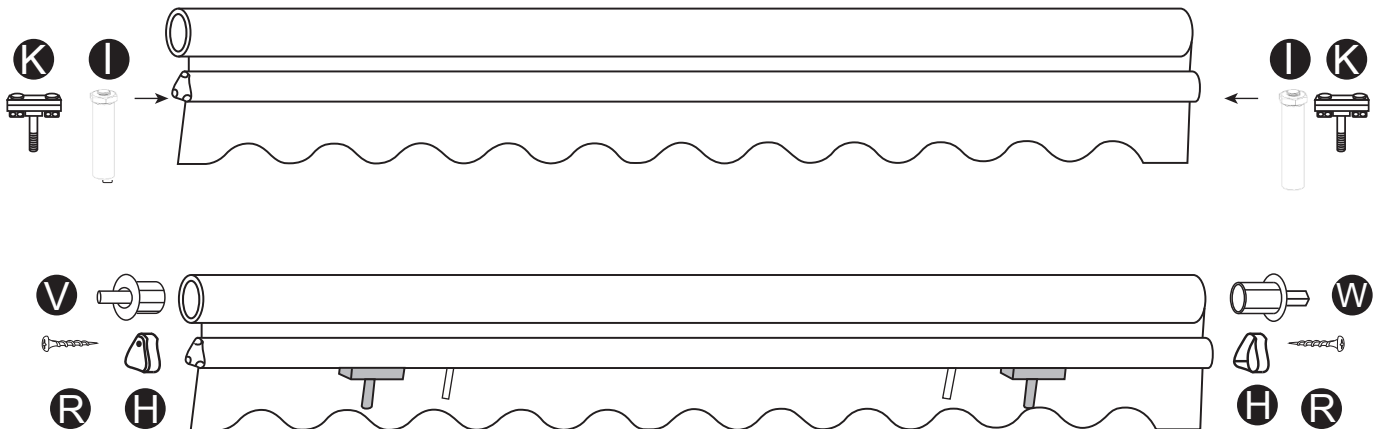
Push the thin one end of fabric with liner inserted into gauges on roller, then put the thick one end through front bar and put another thick one into valance.



Roll up the interfacing cloth

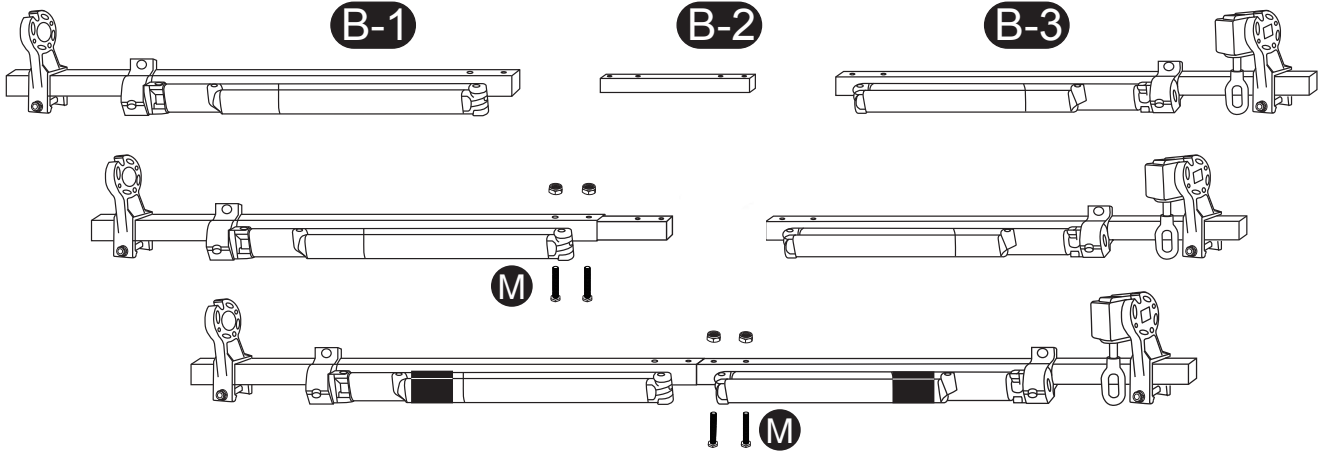



Slide the part I and part K into the roller (D) (NOTE: When you install part K, you need to first unscrew the screw nut and put it through the roller (D) and then to fix part K.)  
Put both the left and right plastic covers (H) on each end of the roller (D) with part R  
Insert the rotator (V,W) into the roller (A).



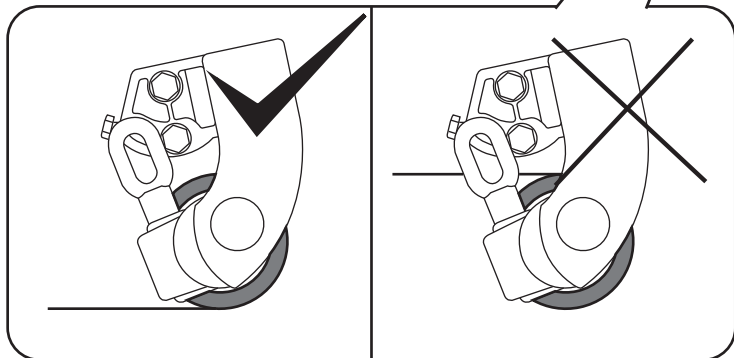
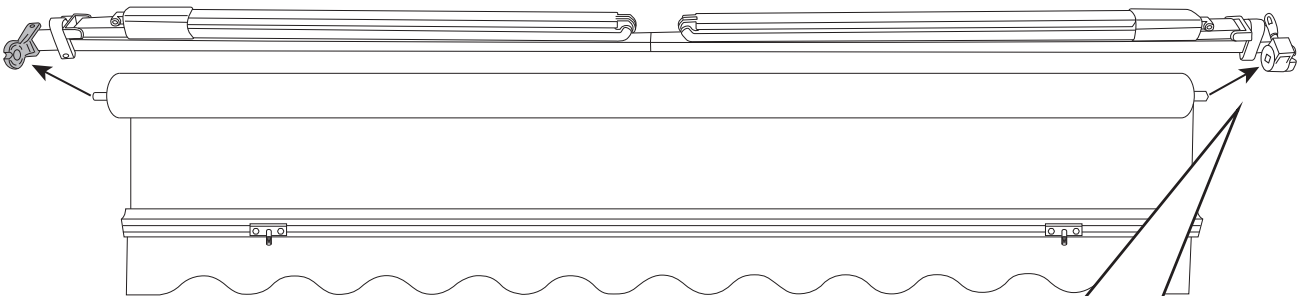
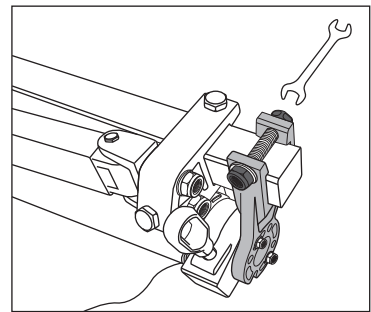
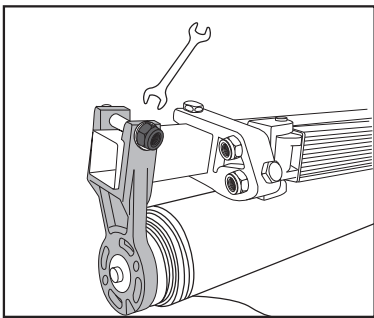
NOTE: You need to cut down the excess part T, when you install part H.

Torsion bar assembly: insert torsion bar connector (B-2) into right torsion bar (B-3), fasten with bolt (M). Link left torsion bar (B-1) with connector (B-2), fasten with bolt (M).  
 NOTE: Please note to fix the part M with a wrench



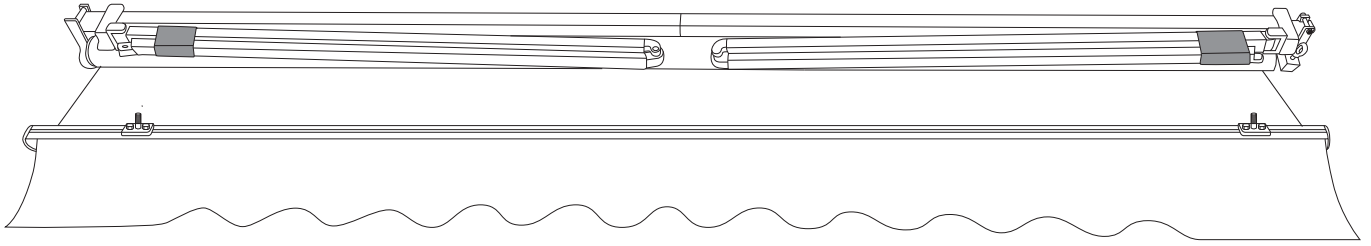
 Do not remove the safety sleeves that hold the arms down!

Loosen the nut slightly so that the parts can be moved left and right for further assembly. NOTE: Please note to fix and loose the nut with a wrench  
 Assembly of whole awning: Insert square shaft in roller with fabric into square hole of gear box, and link it with round shaft of right side using hammer.



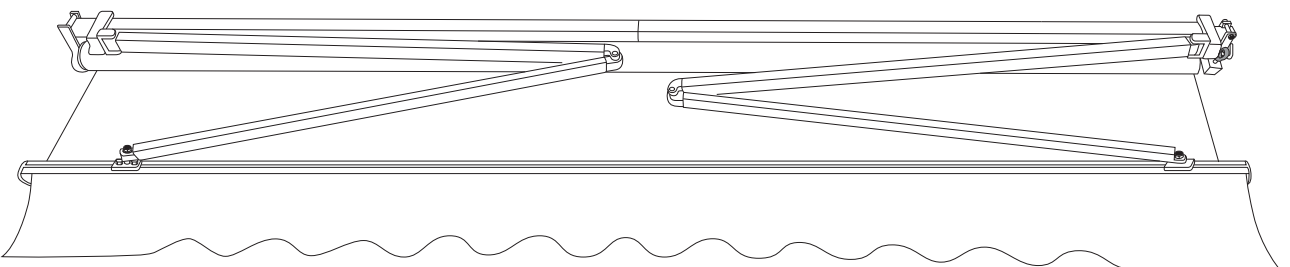
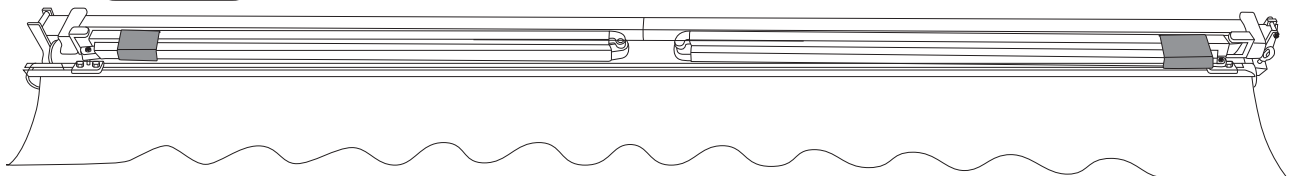
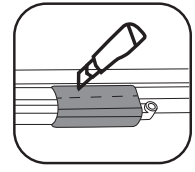
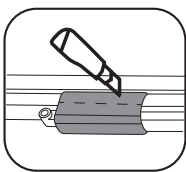
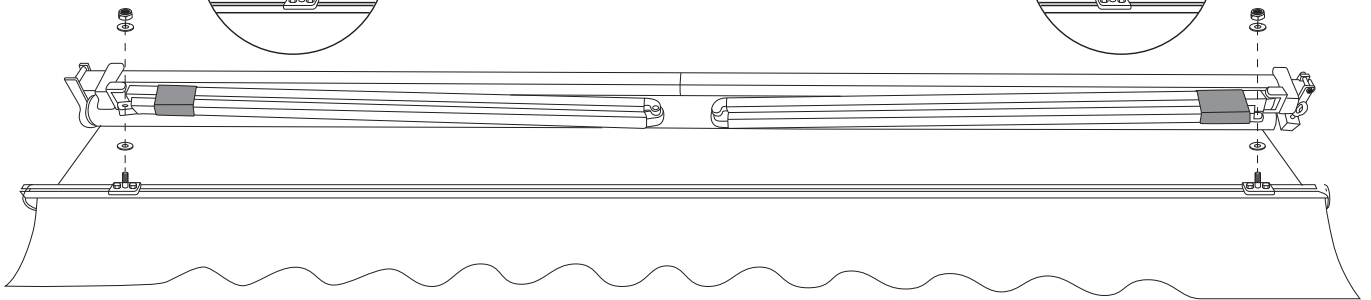
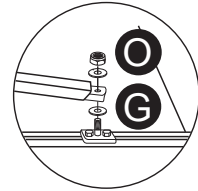
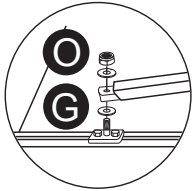


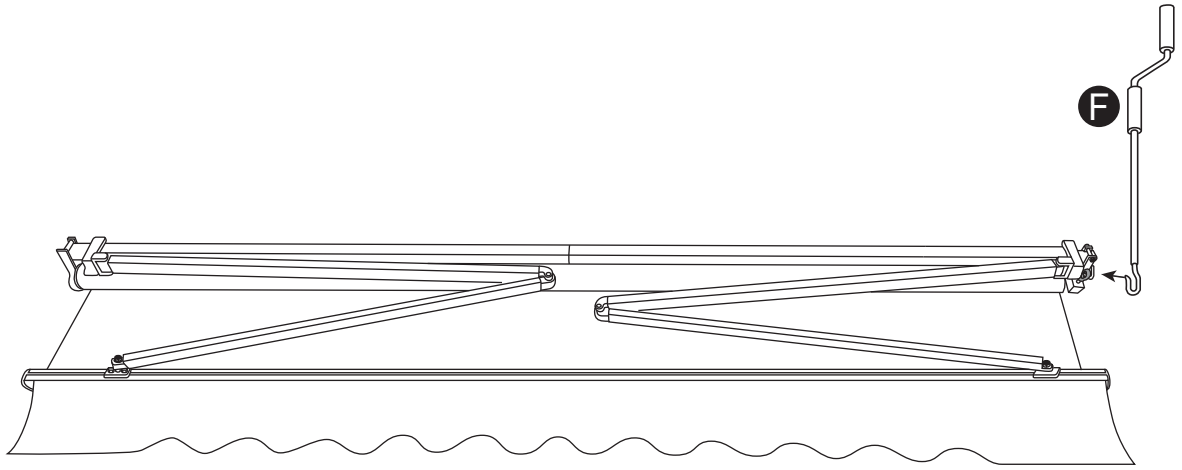
The next step is to unlock the safety sleeve. We need to grasp the move arm bar link tightly with our hands to prevent the move arm bar link from hurting people when it pops out of the safety sleeve.



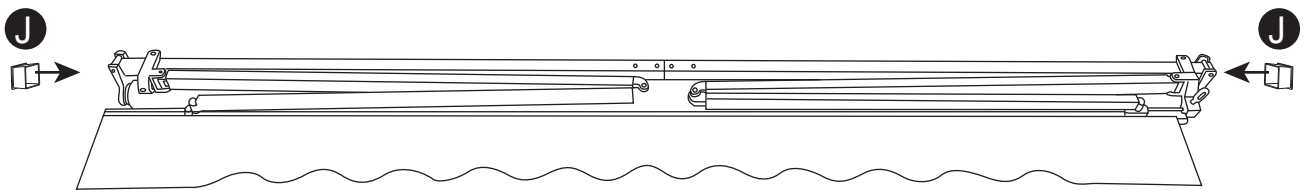
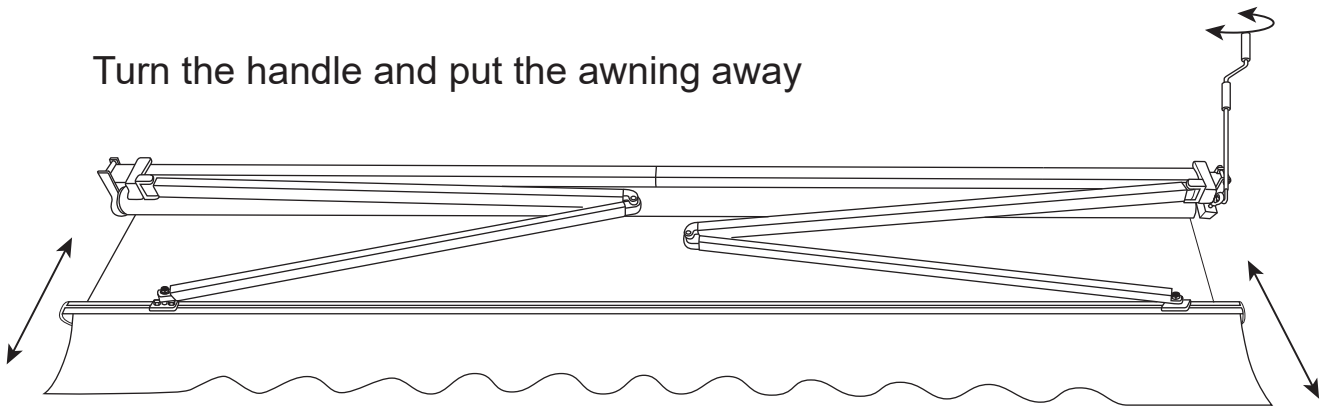
Setting position of whole awning: Make sure two arms are tied tightly torsion bar, move Arm-Bar Link(B) until it connects with arms' hole. Align the front bar and roller, tighten bolt(O,G) of two Arm-Bar Link upwardly by screwdriver.

NOTE: Please note to fix the part O and G with a wrench





Turn the handle and put the awning away



Please prepare the following tools before installation (not included with the product)



Power drill with drilling bit of  $\phi 14$



Tape



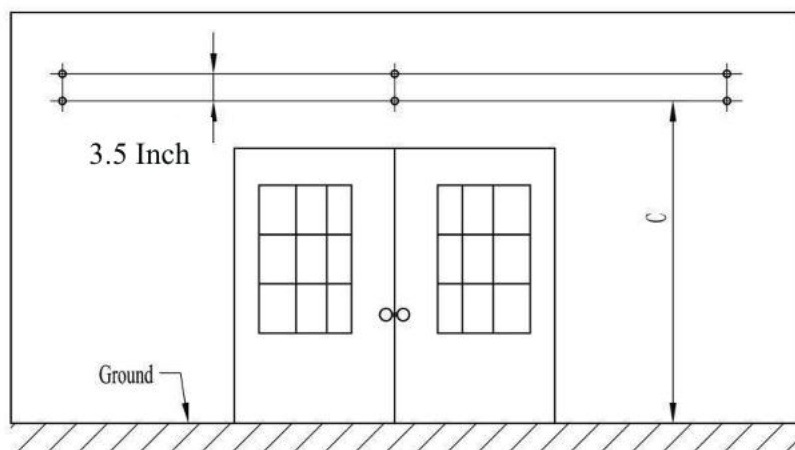
Wrench (wrenches of M10 and M12)



Hammer

### STEP-1: Installation Procedure

1. Measure the distance along the wall where it can be placed. Drill holes for wall brackets on the wall according to the installation distances and height of the wall brackets. The diameter and depth of hole must be the same as expansion bolts.



The holes of each group must be on the same line in transversal direction and vertical direction.

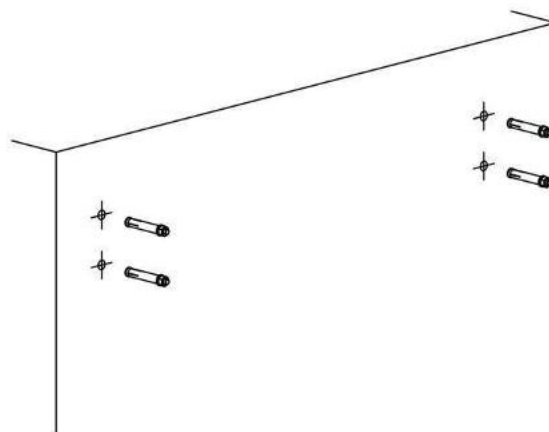
(Note: It is recommended to draw lines on the wall first to ensure precise position and size of the holes)

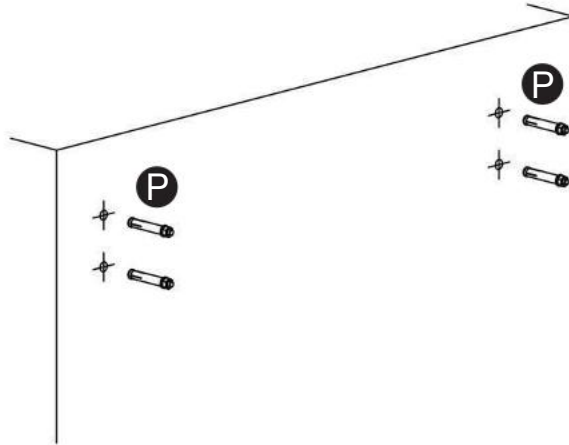
2. Hammer all the expansion bolts into the holes. Then take down the nuts and washer.

(Note: ①The expansion bolts must be hammered into the wall completely.

②The bolts must be stick out of the wall so that the wall brackets can be installed on it.

③The nut and washer might be separated from the bolt during process of transportation, please put them back into their original positions before hammer them into the wall.)





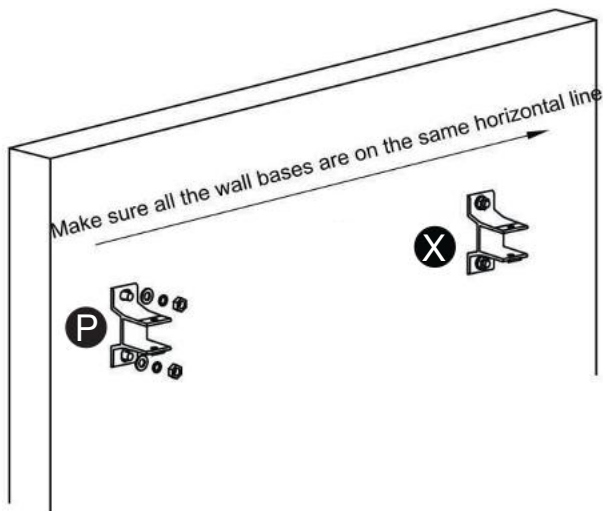
2. Hammer all the expansion bolts into the holes. Then take down the nuts and washer.

(Note): ①The expansion bolts must be hammered into the wall completely.

②The bolts must be stick out of the wall so that the wall brackets can be installed on it.

③The nut and washer might be separated from the bolt during process of transportation, please put

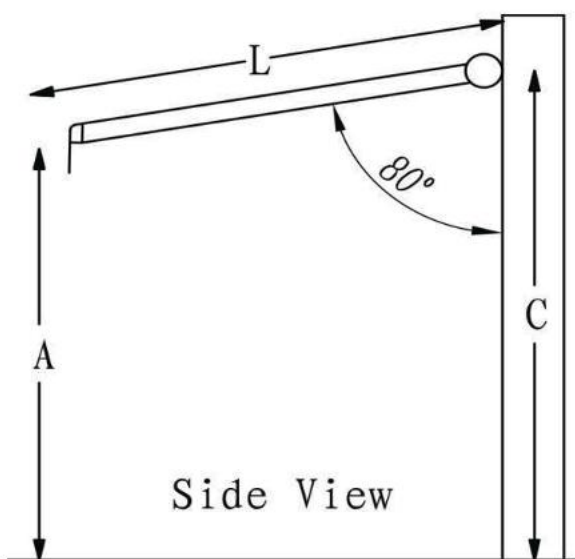
them back into their original positions before hammer them into the wall.)



3. Take down the original bolts of the wall brackets as shown in the figure, use expansion bolts to fix the wall brackets on the wall. Do not tighten completely, leave wall brackets to stay on the wall with little movement.

## STEP-2: Installation distance between wall brackets

Awning < 3m	Only 2 wall brackets for each end of torsion bars
Awning 3.5m ~ 4.5m	2 wall brackets at each end of torsion bar, a middle bracket in between distance of 2 arm shoulders (arm brackets refer to steps of assembly 6)
Awning > 5m	2 wall brackets at each end of torsion bar, 2 middle brackets divide into equal length in between distance of 2 arm shoulders at each end of torsion bars. (steps of assembly 6)

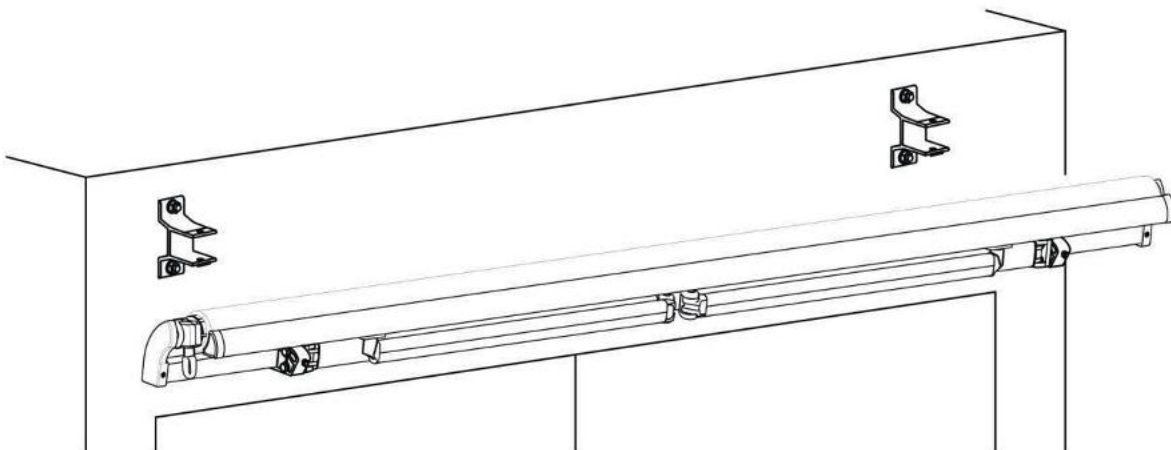


4. As shown in the figure, we recommend making the awning surface to form an angle of about 80 degrees with the wall when it is open.

- A) The height of front bar you desire
- L) The length of the arm stretch out
- C) The height of wall brackets

You can follow this formula:  $C = A + 0.17 * L$

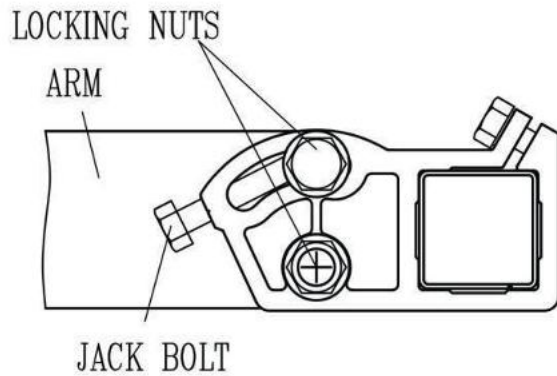
5. Install the awning on the wall brackets according to “**Installation distances between wall brackets**” above, put the original bolts on the wall brackets and tighten them. Finally fasten all expansion bolts.



**CAUTION: PROPER LOCATION OF THE BRACKETS IS THE MOST IMPORTANT ASPECT OF THE AWNING INSTALLATION. IT IS CRITICAL THAT YOU FASTEN ALL THE MOUNTING BRACKETS TO STUDS, JOISTS, HEADERS OR OTHER MAJOR STRUCTURAL COMPONENTS.**

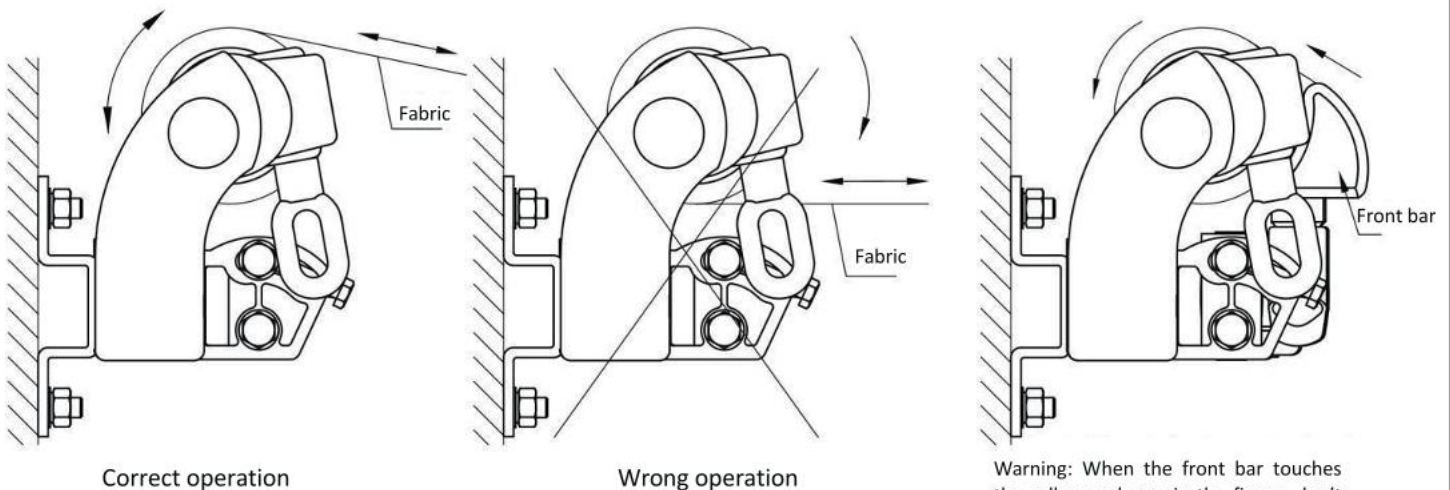
**WARNING: FAILURE TO SECURELY FASTEN ALL THE BRACKETS TO THE WALL COULD RESULT IN THE COLLAPSE OF THE AWNING AND CAUSE PERSONAL INJURY OR DEATH.**

### STEP-3: Instruction for front side leveling



- ① Loosen the locking nuts.
- ② Turn the jack bolt to adjust pitch
- ③ Adjust the arm until the front side stays in horizontal line.
- ④ Tighten the locking nuts.

### Common Mistakes



Warning: When the front bar touches the roller as shown in the figure, don't try to make them closer, otherwise the product might be damaged.

### FAQ:

What if the fabric wraps unevenly or the two arms cannot open together at the same time?

Answer: Look at the stability of two arms and adjust the front bar wrist of the faster arm outwards accordingly.

**Important:** Read "Instructions for installation and operation" carefully before installation. Keep the instruction in a safe place for future reference.